

Assembly Instructions

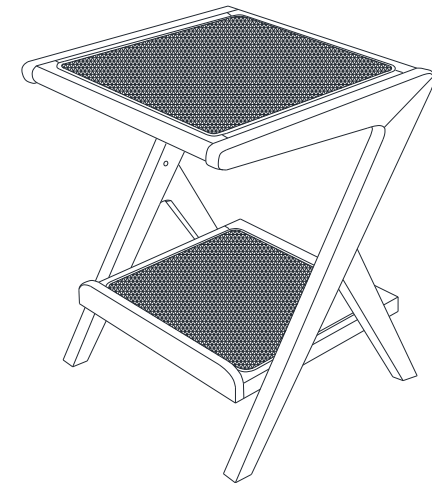
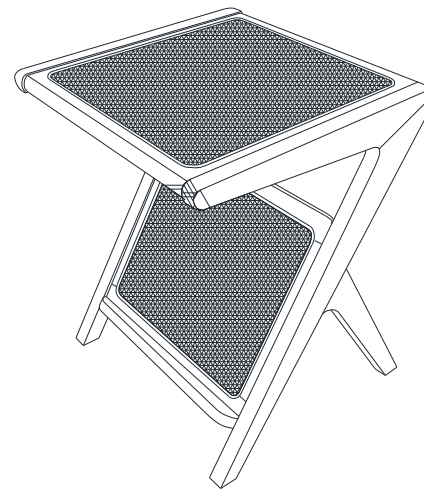
⚠ Before you throw the carton, please ensure that you have all the parts needed for the assembly.

⚠ **Hardware Note:**

1. For each step please don't fully tighten all the screws at first, when they all align to the holes you can fully tighten them.

2. All the bolts should be assembled **vertically** to the holes.

⚠ **Spare parts** can be found in the hardware box if you do not have enough bolts for assembly.

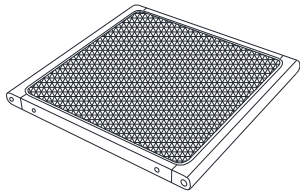


Assembly Instructions

Parts and Hardware

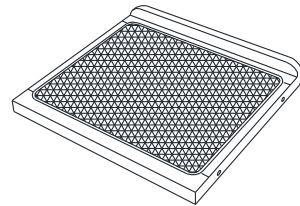
Please check to make sure you have all parts and hardware before starting assembly process.

Ⓐ



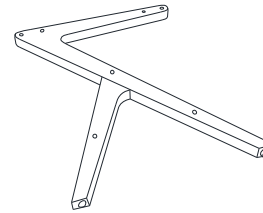
Upper frame 1pc

Ⓑ



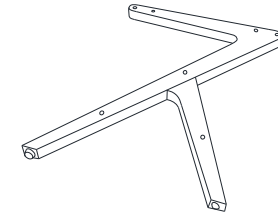
Under frame 1pc

Ⓒ



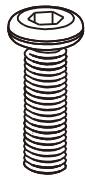
Right leg 1pc

Ⓓ



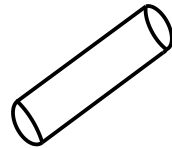
Left leg 1pc

①



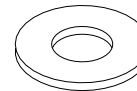
Bolt 8pcs

②



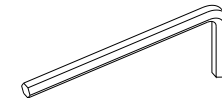
Wooden pin 4pcs

③



Flat washer 8pcs

④



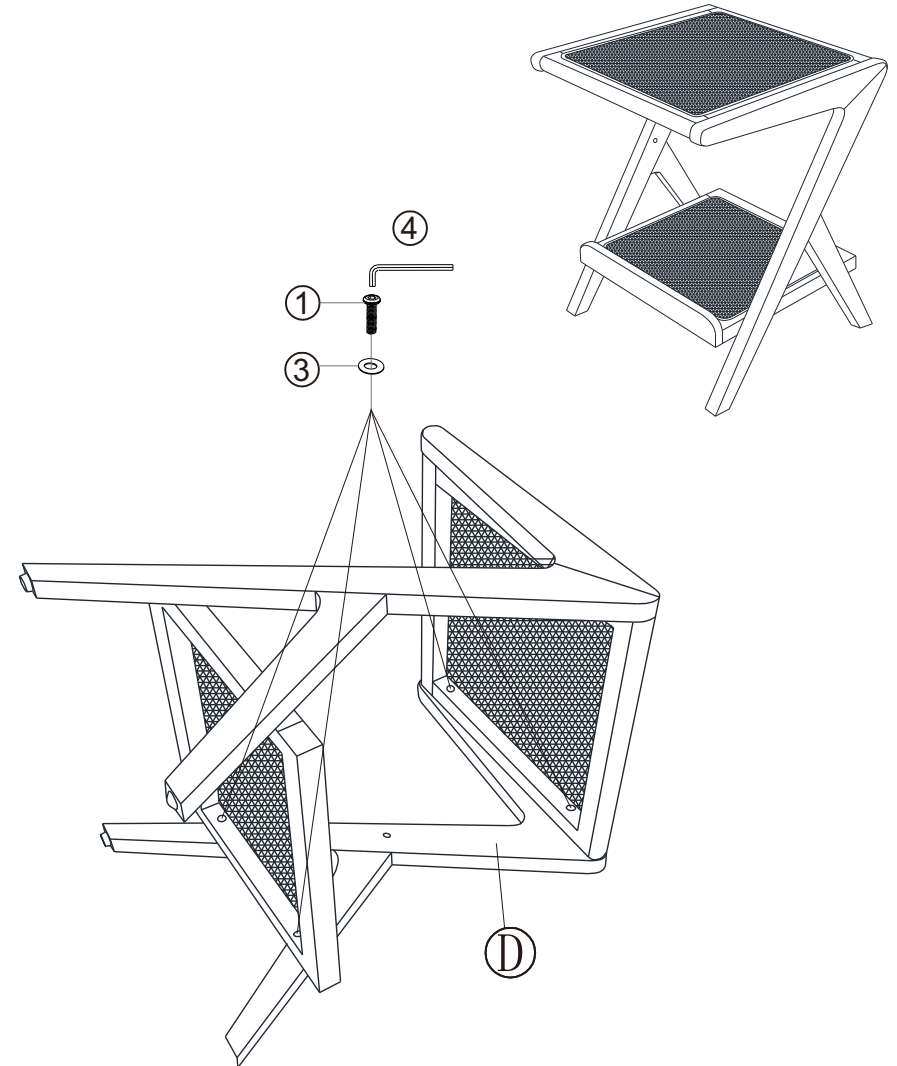
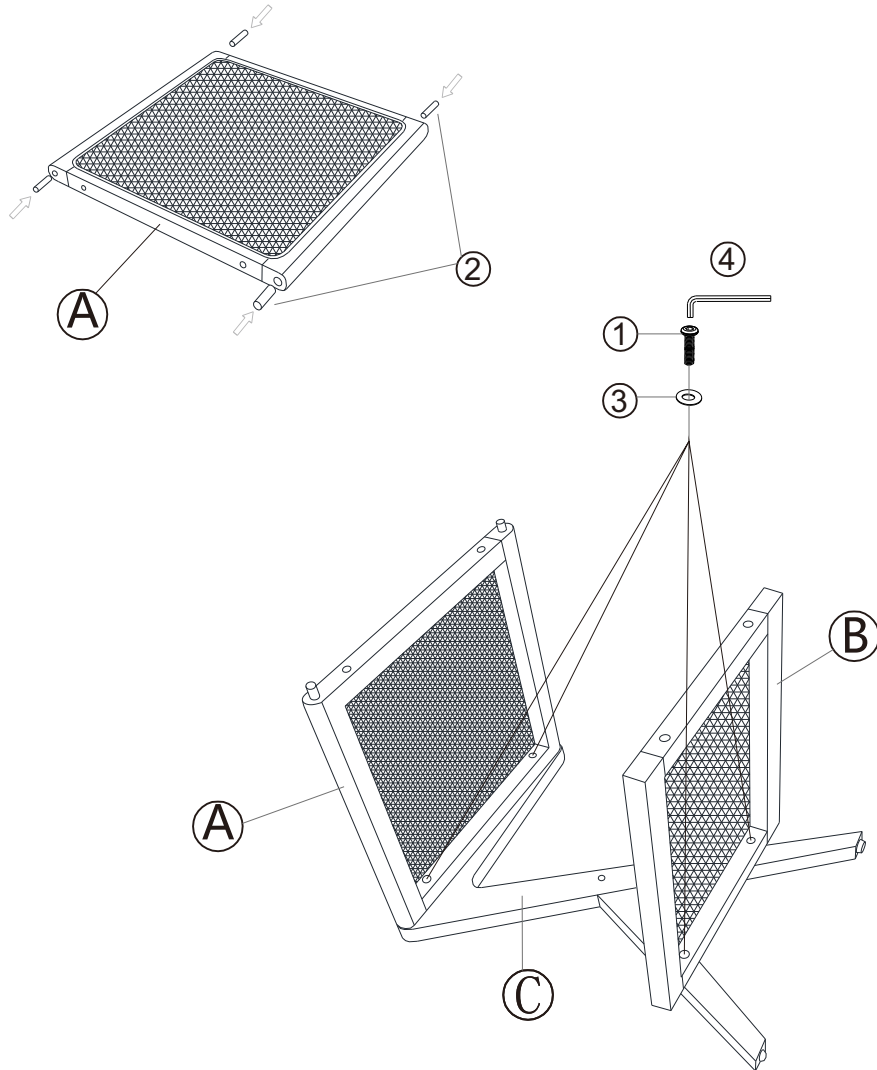
Wrench 1pc

Assembly Instructions

Assembly Instructions

Do not tighten any single bolt until all bolts are assembled.

Step 1: Assemble upper and under frame to legs as below diagram show (First style).



Assembly Instructions

Assembly Instructions

Do not tighten any single bolt until all bolts are assembled.

Step 1: Assemble upper and under frame to legs as below diagram show (Second style).

