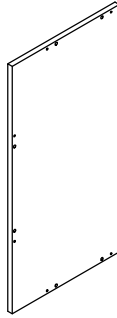


Ax2



Bx4



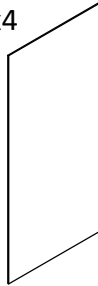
Cx1



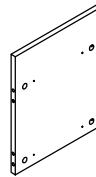
Dx1



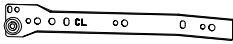
Ex2



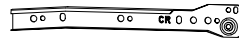
Fx2



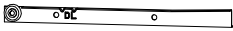
Gx4



CLx1



CRx1



DLx1



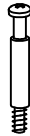
DRx1



Hx36



Ix32



Jx32



Kx26



Lx40



Mx4



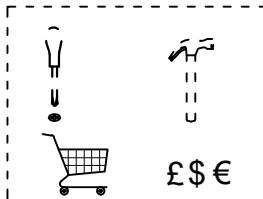
Nx4



Ox4



Px4



mm
inch

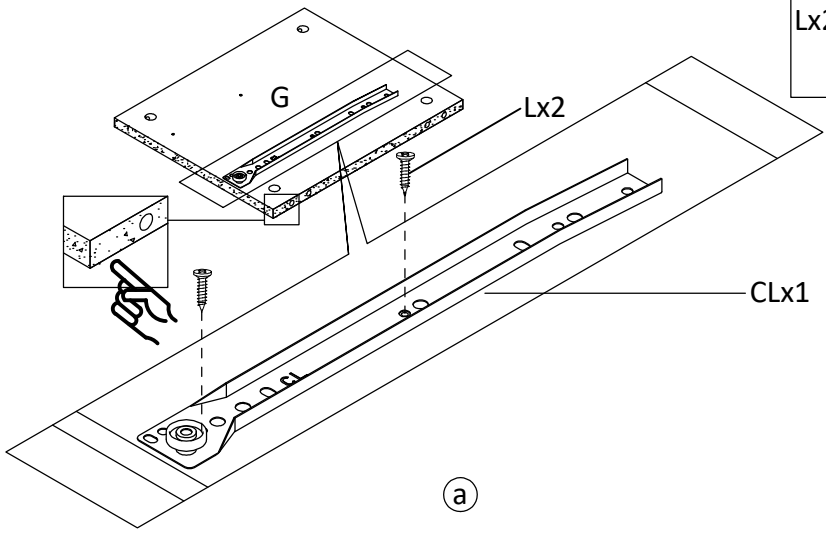
x2

①

CLx1



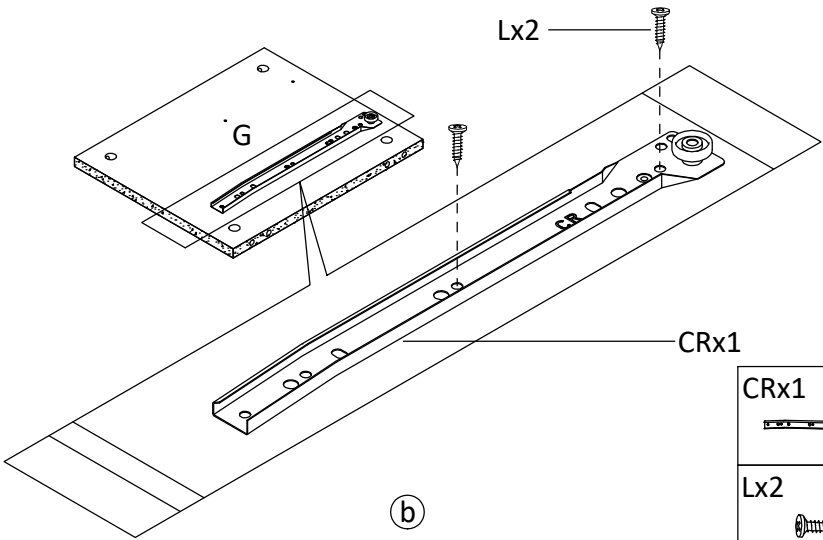
Lx2



Ⓐ

②

Lx2



Ⓑ

CRx1



Lx2

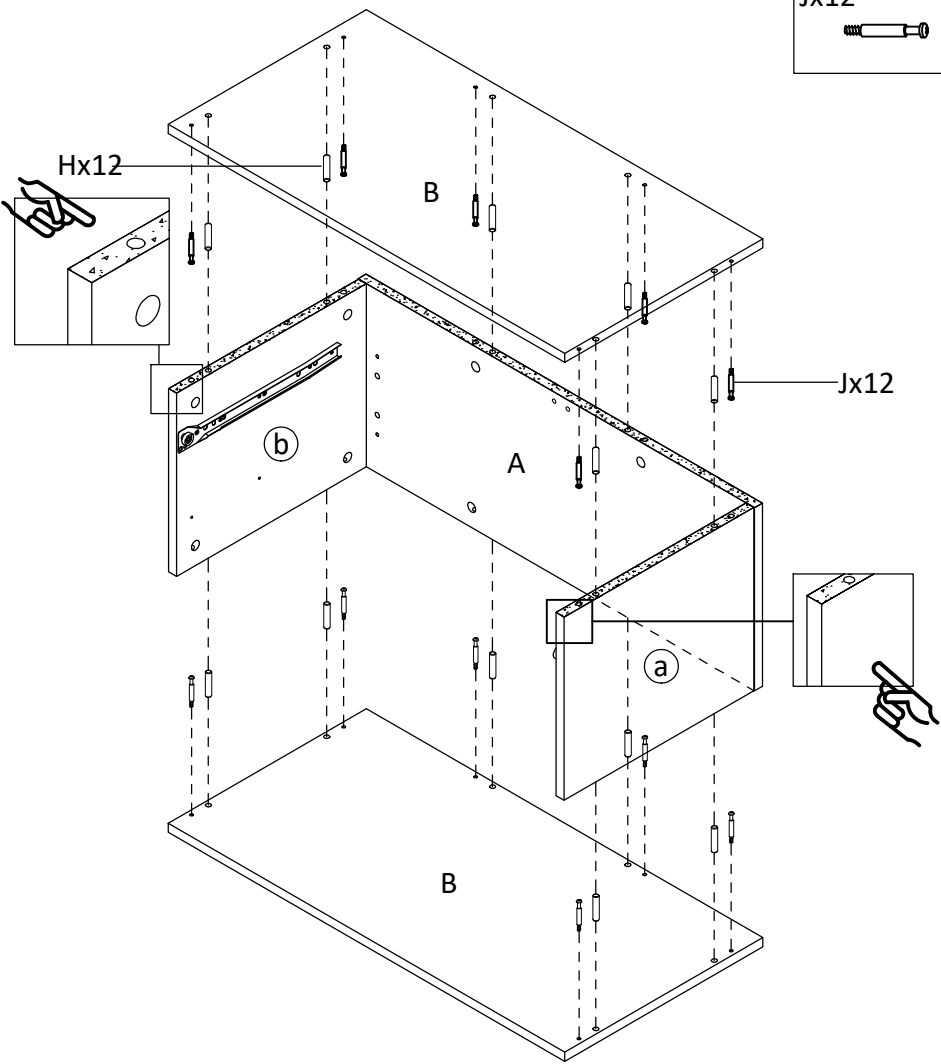
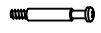


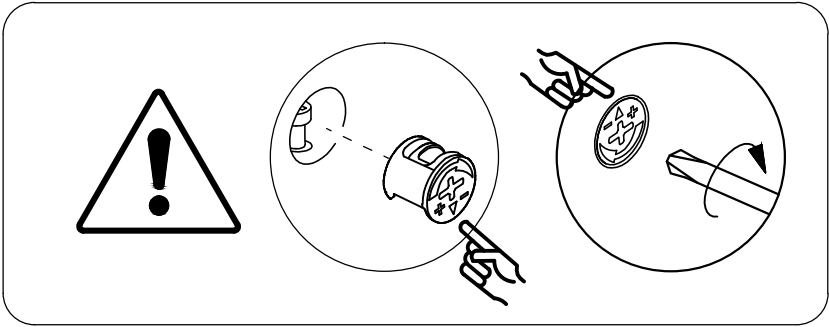
3

Hx12



Jx12



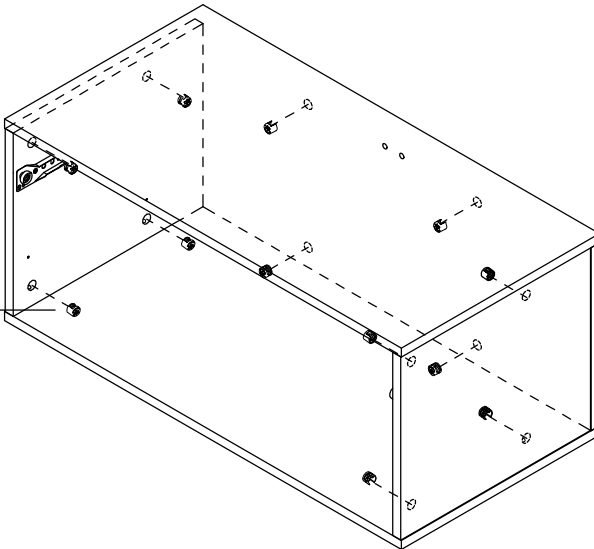


4

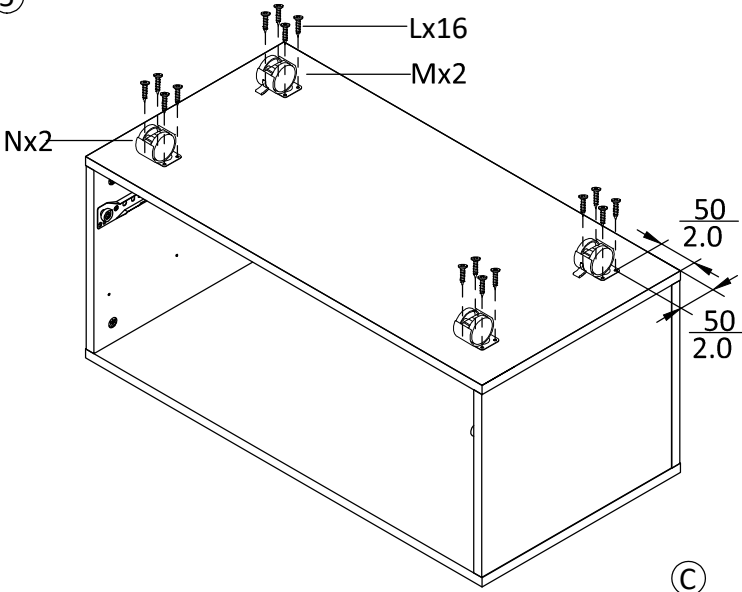
1x12



1x12



5



Mx2



Nx2

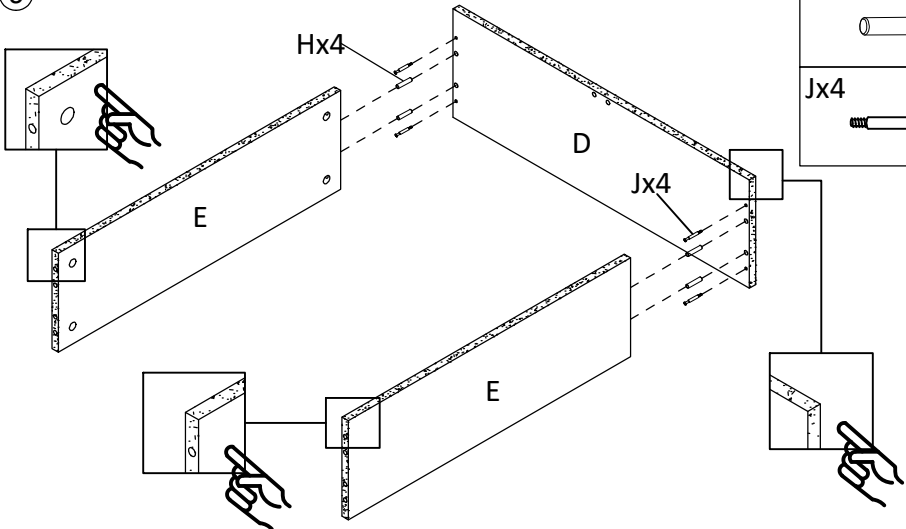


Lx16



C

6



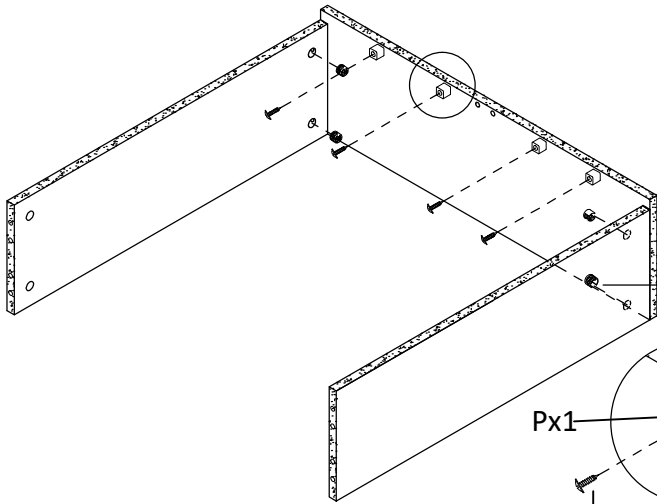
Hx4



Jx4



7



Ix4



Ox4



Px4



Ix4

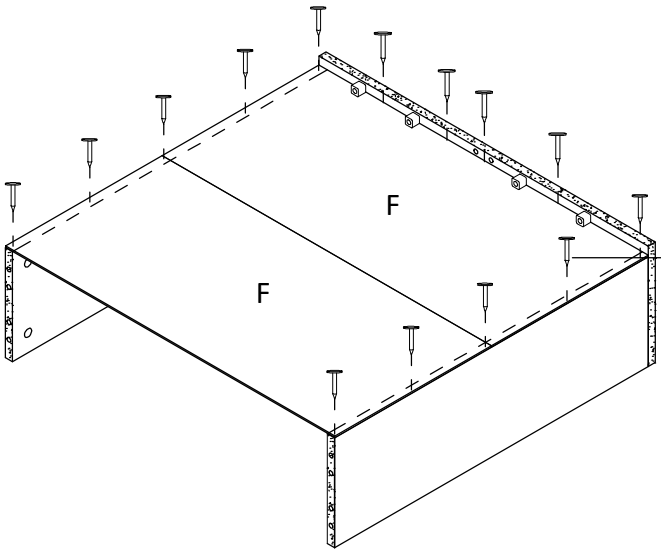
Px1

Ox1

x4

1.3
0.1

8



Kx26



Kx26

F

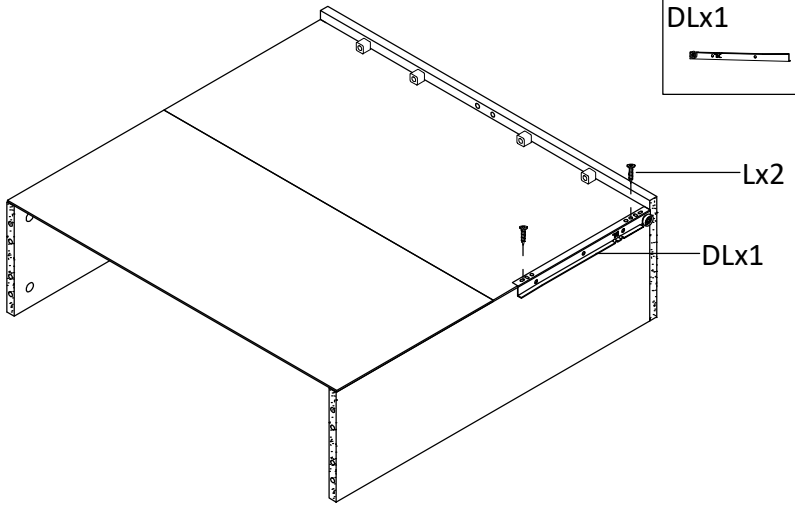
F

9

Lx2



DLx1

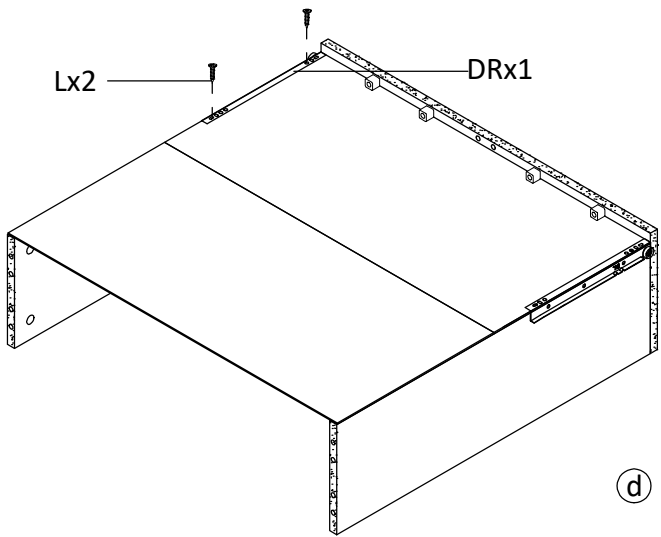


10

Lx2



DRx1



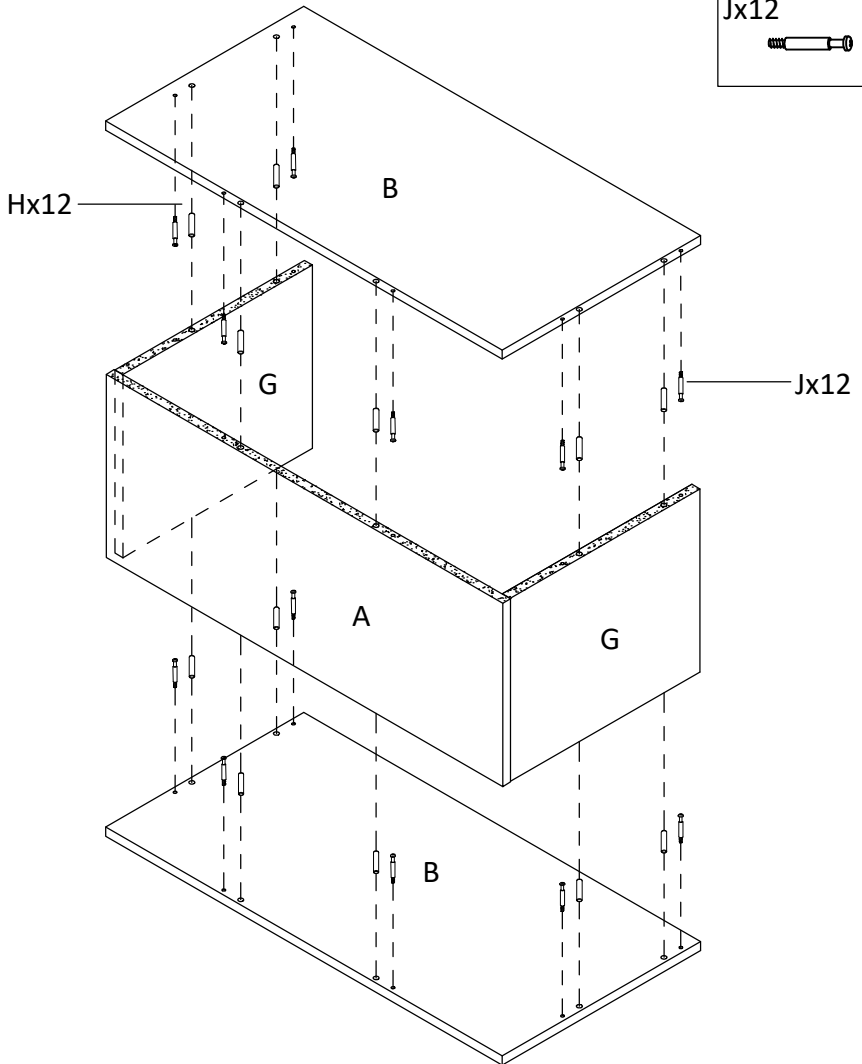
d

11

Hx12

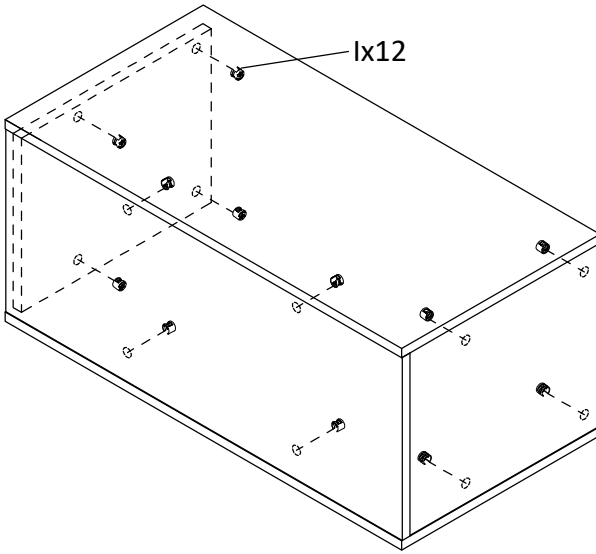


Jx12



12

lx12



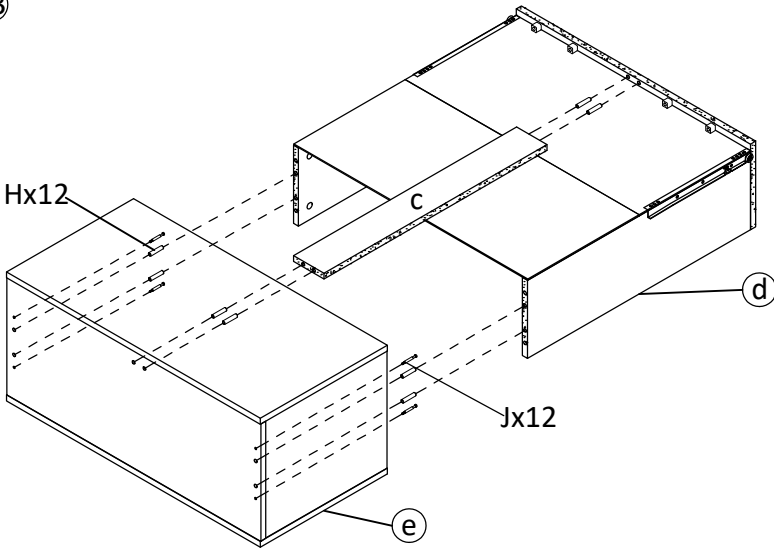
e

13

Hx12



Jx12

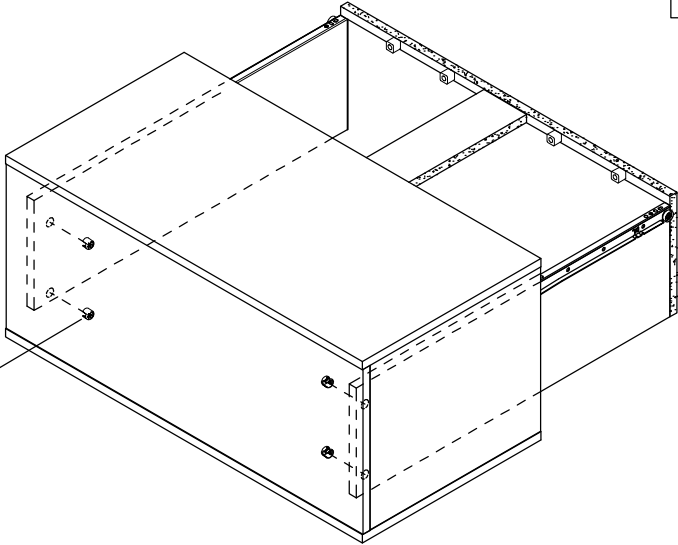


14

1x4



1x4



15

Mx2



Lx16

Nx2



Nx2



Mx2

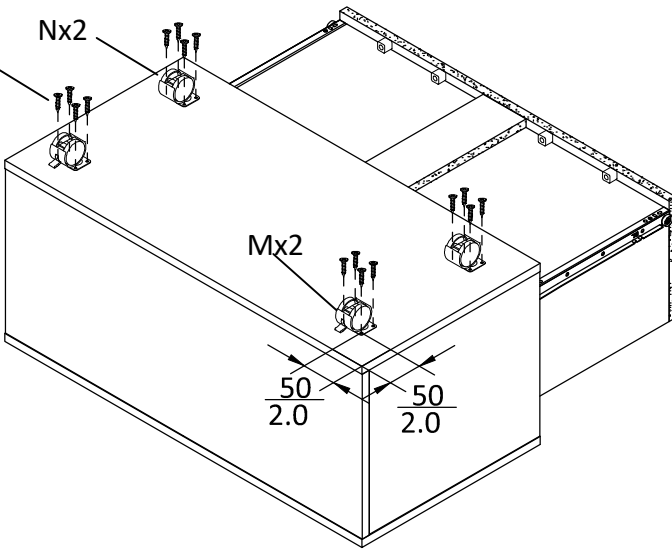


Lx16

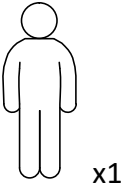
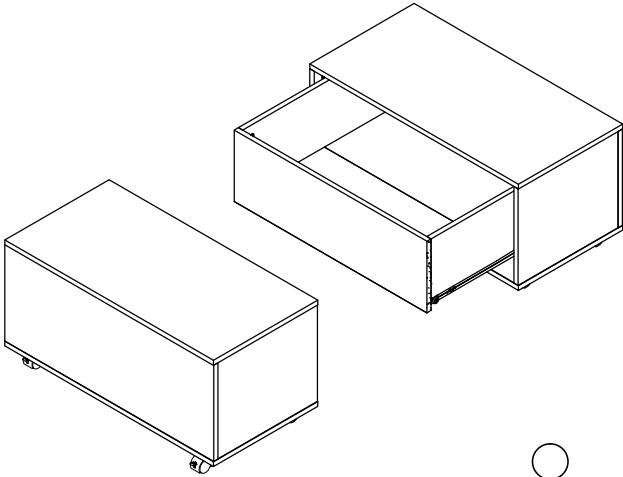
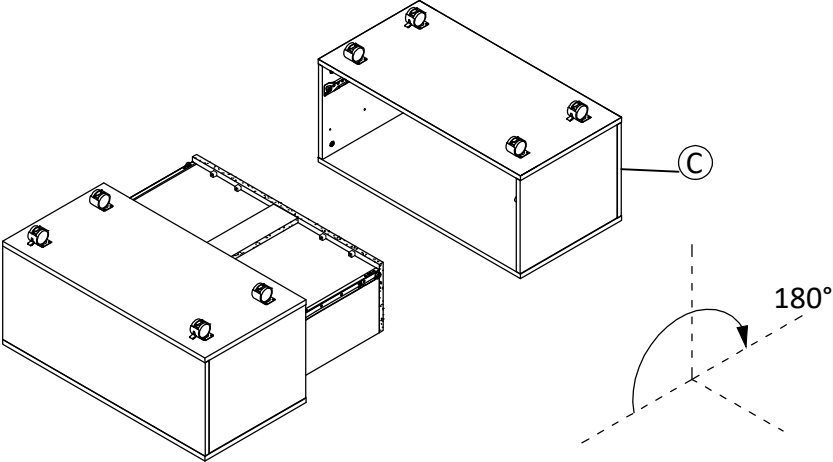


50
2.0

50
2.0



16



17

