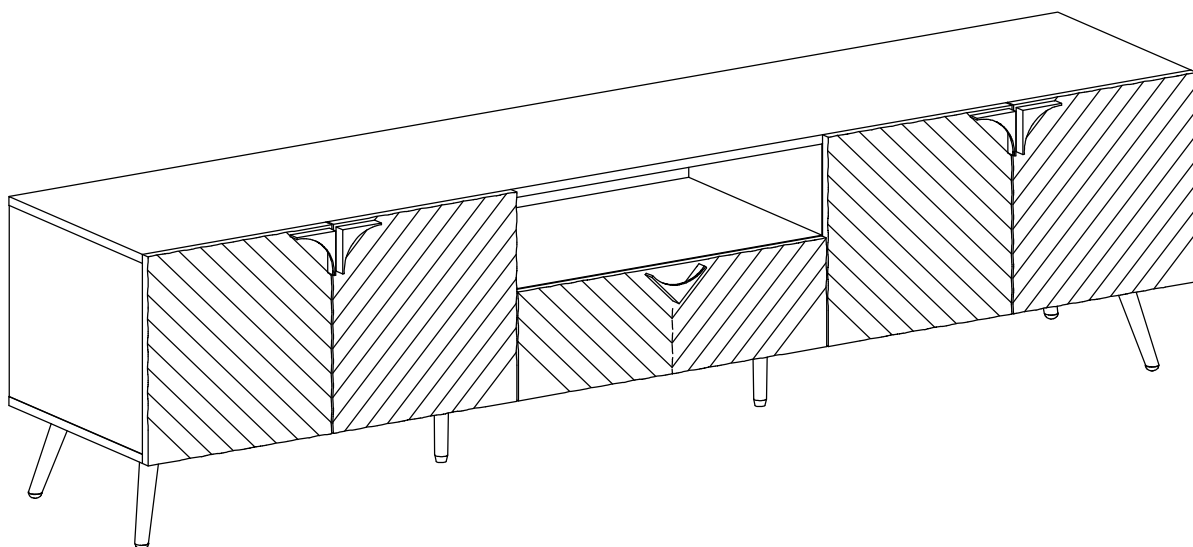


ASSEMBLY INSTRUCTION

Thank you for purchasing the quality product. Be sure to check all packing material carefully for small parts which may have come loose inside the carton during shipment. Separate, identify and count all parts and metal hardware. Compare with all parts list to be sure all parts are present. If any part(s) are missing or damaged, please contact your local furniture dealer. For efficient and speedy service, please indicate the model number and code letter of part(s) needed.

*****Do not fully tighten screws until fully assembled*****

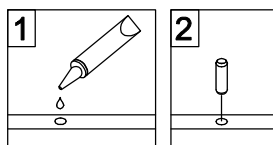


Attention:

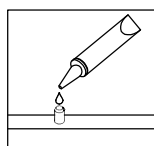
*****Some number parts listed on the instruction sheet may not be in parts bag as they may already be assembled. Carefully check parts and packing materials prior to ordering replacements.**

General Assembly Guidelines

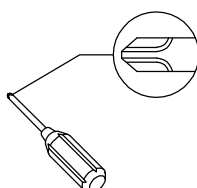
- I. Ensure that all parts and hardware are available before beginning assembly.
- II. Follow each step carefully to ensure the proper assembly of this product.
- III. Two people are recommended for ease in the assembly of this product.
- IV. The three main types of hardware used to assemble this product are: wood dowels, screws and bolts.
- V. The provided glue is to secure wood dowels in place. When first inserting dowels, locate the appropriate hole for the dowel, place a small amount of glue in the hole and insert the dowel. Wipe away excess glue immediately.



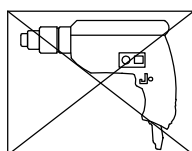
In future assembly steps when dowels are necessary to attach assembly parts together, place a small amount of glue on the end of the dowel before attaching parts together. Wipe away excess glue immediately.



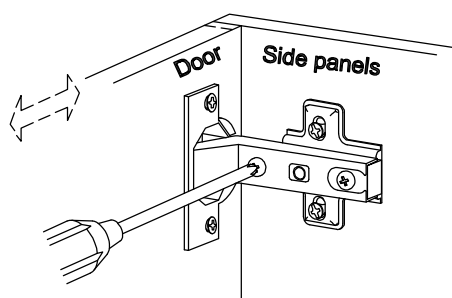
- VI. A Phillips head screwdriver is required for the assembly of this product.



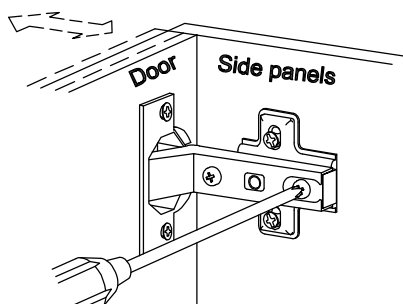
- VII. Power tools should not be used to assemble this product.



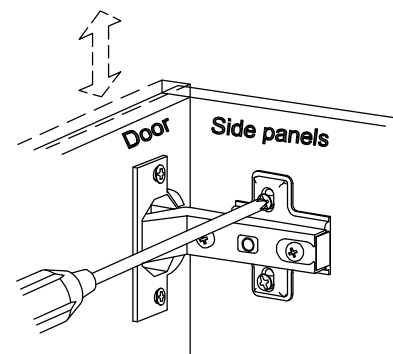
- VIII. Concealed hinges are three-way adjustable.



Horizontal
by screw adjustment


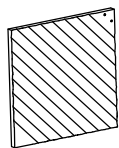
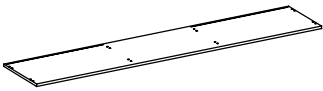
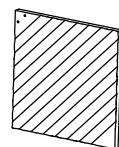
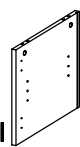
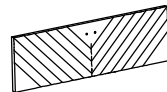
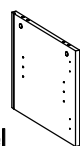
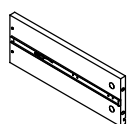
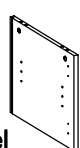
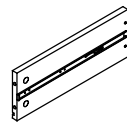
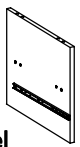
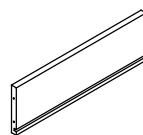
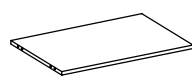
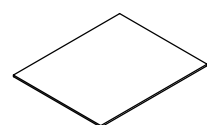
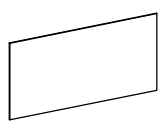
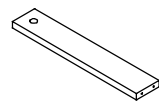
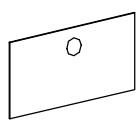

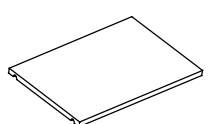



In-and-Out
by loosening the hinge-arm
mounting screw or via cam















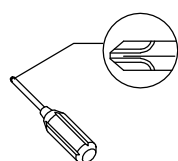
Vertical
Via slots in the mounting
plate or via cam adjustment

COMPONENT PARTS

DESCRIPTION	PART NAME	QTY(PCS)	DESCRIPTION	PART NAME	QTY(PCS)
①	 Table Top	1	⑪	 Door	2
②	 Table Bottom	1	⑫	 Door	2
③	 Left Side Panel	1	⑬	 Drawer Front Panel	1
④	 Right Side Panel	1	⑭	 Drawer Side Panel(L)	1
⑤	 Middle Side Panel	1	⑮	 Drawer Side Panel(R)	1
⑥	 Middle Side Panel	1	⑯	 Drawer Back Panel	1
⑦	 Shelf	1	⑰	 Drawer Bottom Panel	1
⑧	 Back Panel	2	⑱	 Support Panel	1
⑨	 Back Panel	1	⑲	 Metal Legs	4
⑩	 Shelf	2	⑳	 Metal Legs	2

Hardware List




A		Ø8x30mm	Wooden dowel	20 pcs
B		Ø6x35mm	Cam bolt	17 pcs
C		Ø15x12mm	Cam lock	17 pcs
D			Sticker	13 pcs
E		Ø6x50mm	Screw	8 pcs
F			Hinge	8 pcs
G		4mm	Allen Key	1 pcs
H			Handle	5 pcs
I			Glue tube	1 pcs
J		Ø4x30mm	Screw	6 pcs
K		Ø3.5x14mm	Screw	32 pcs
M			Plastic wedge	12 pcs
N		Ø3x16mm	Screw	28 pcs
O		Ø8x5x16mm	Shelf support pin	8 pcs
P			Door stopper	4 pcs
Q		Ø4x20mm	Screw	10 pcs
R			Metal piece	4 pcs
S		Ø4x14mm	Screw	24 pcs

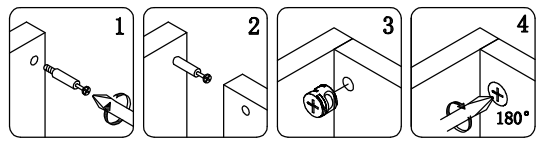
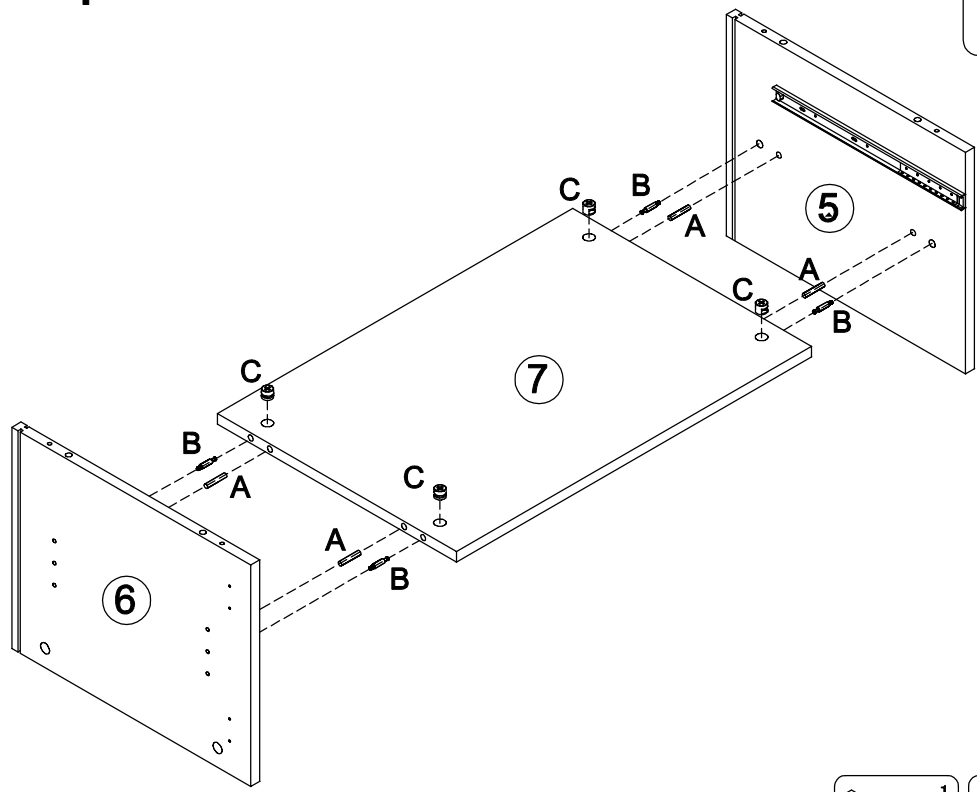


Philips head screwdriver required for assembly
(not included)






*The hardware quantities listed above are required for proper assembly.
Some extra hardware may also have been included.*

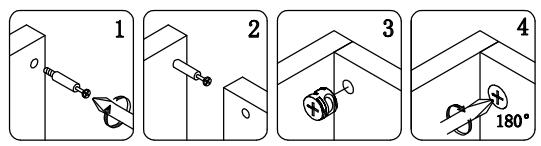
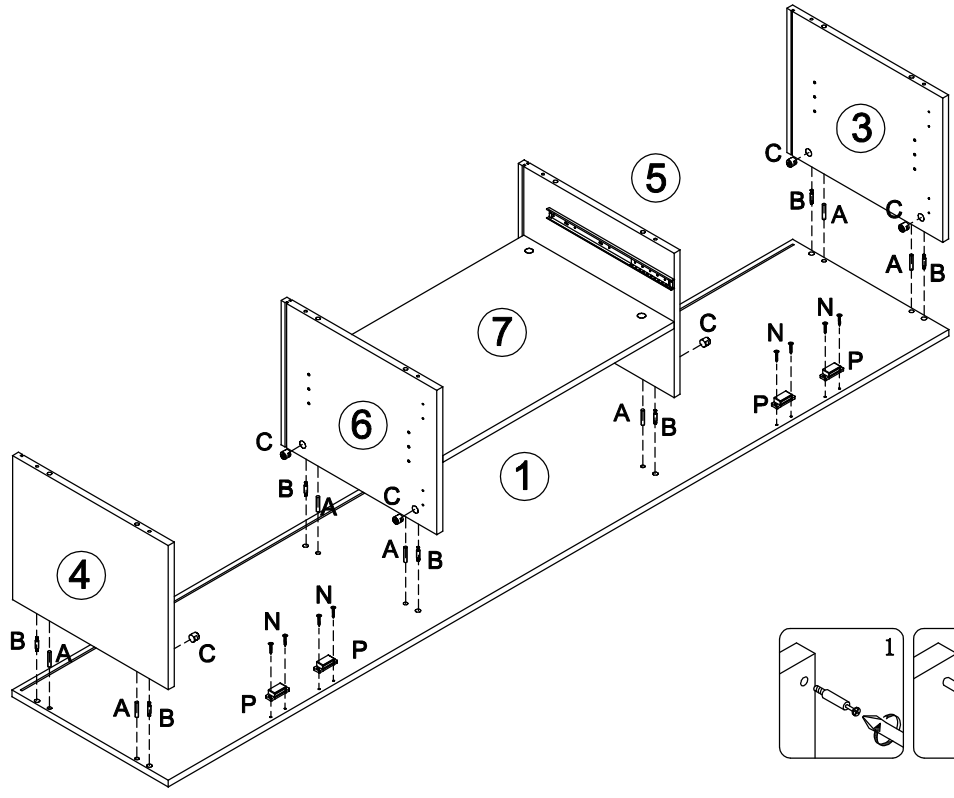
Step 1

A x 4	B x 4	C x 4
		
Ø8x30mm	Ø6x35mm	Ø15x12mm

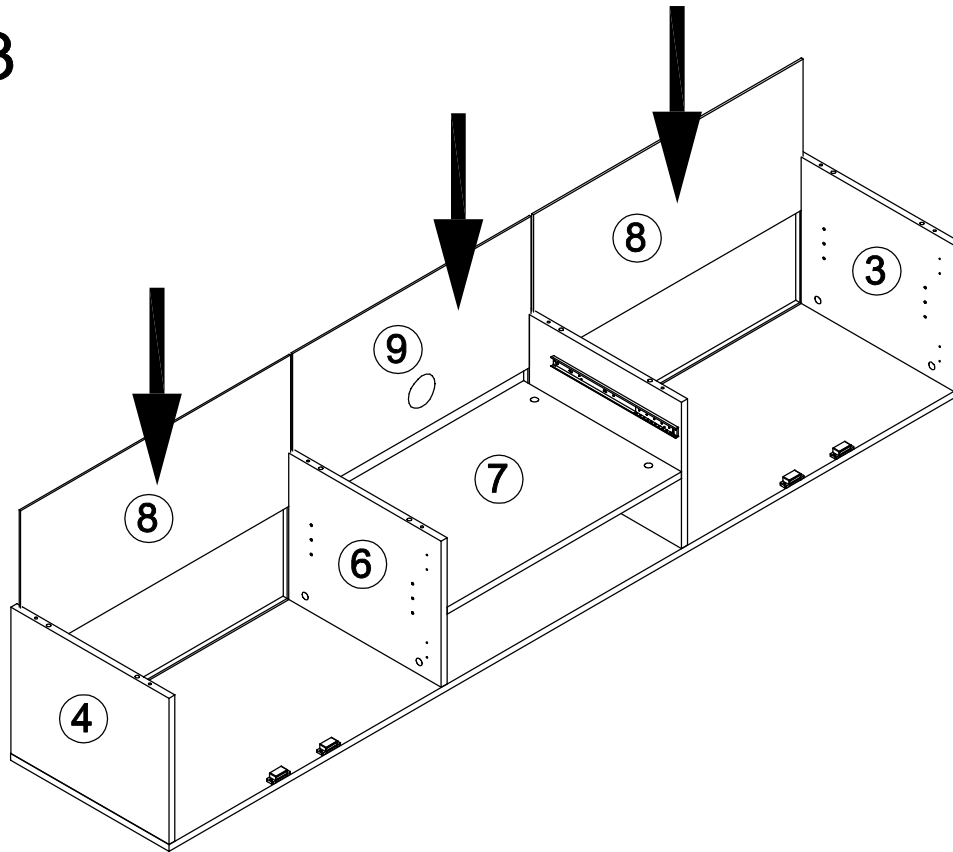


Step 2

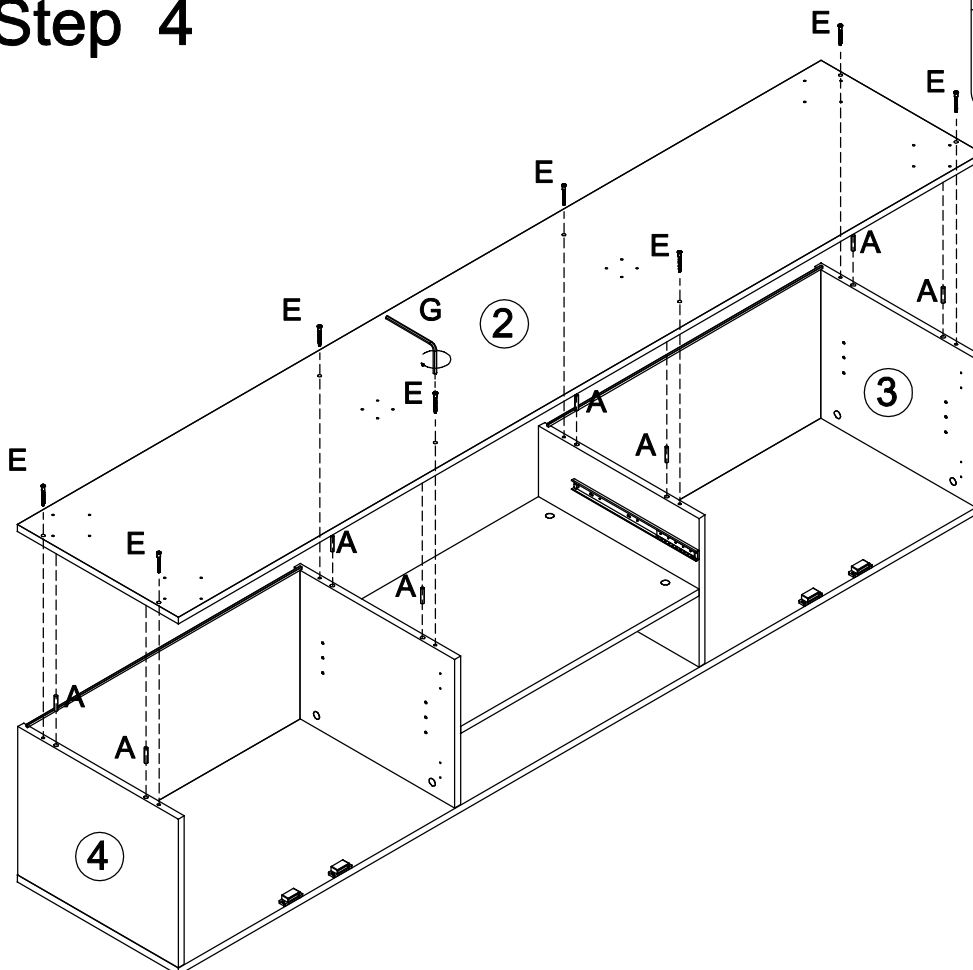
A x 8	B x 8	C x 8
		
Ø8x30mm	Ø6x35mm	Ø15x12mm
N x 8	P x 4	
		
Ø3x16mm		

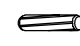




Step 3



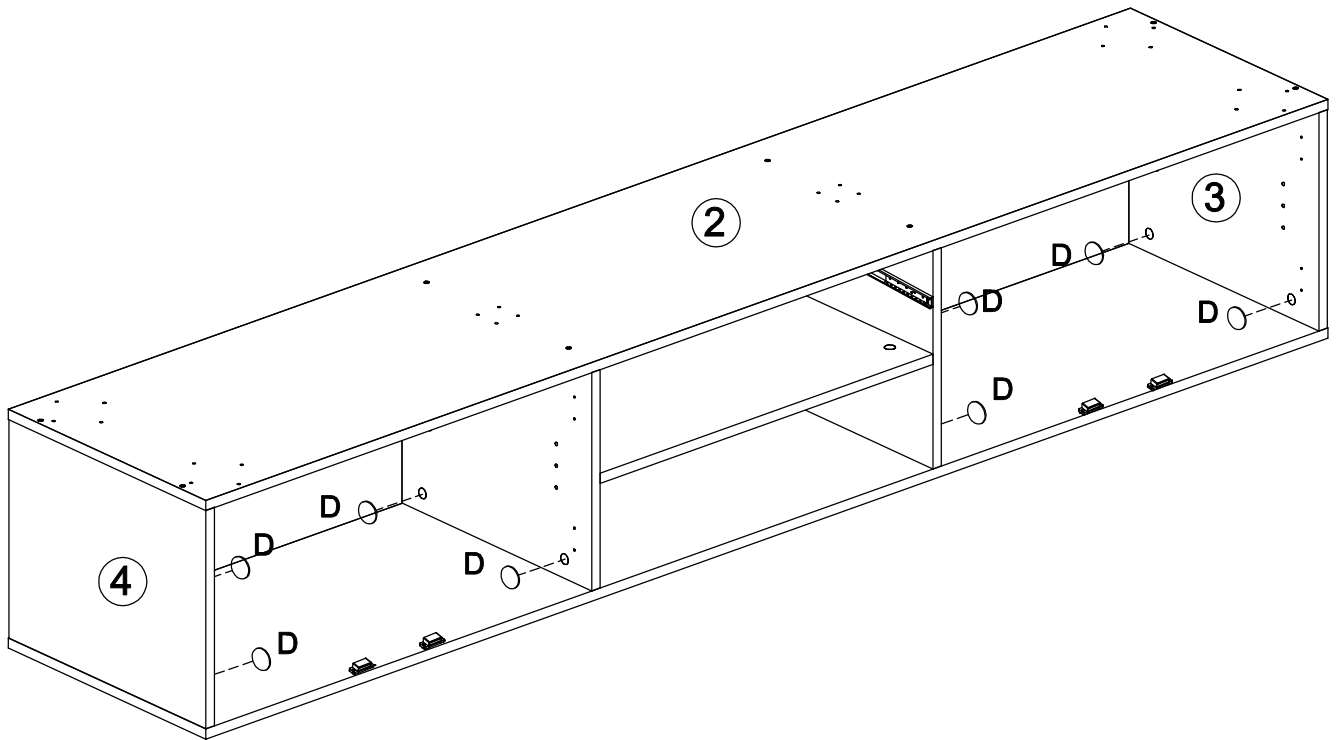
Step 4



A x 8  Ø8x30mm	E x 8  Ø6x50mm	G x 1  4mm
------------------------------------------------------------------------------------------------------------------	------------------------------------------------------------------------------------------------------------------	--------------------------------------------------------------------------------------------------------------

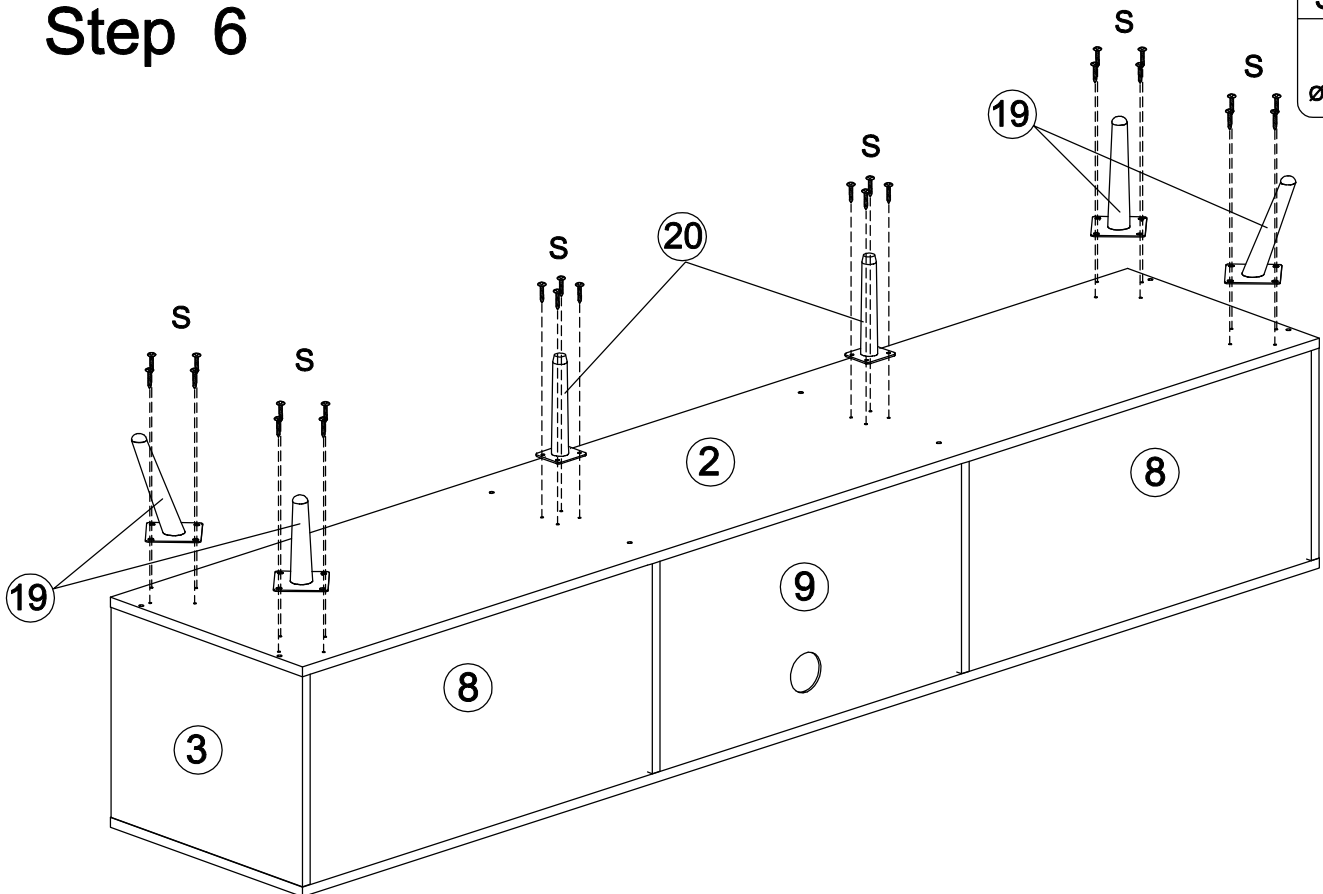
Step 5

D x 8
○





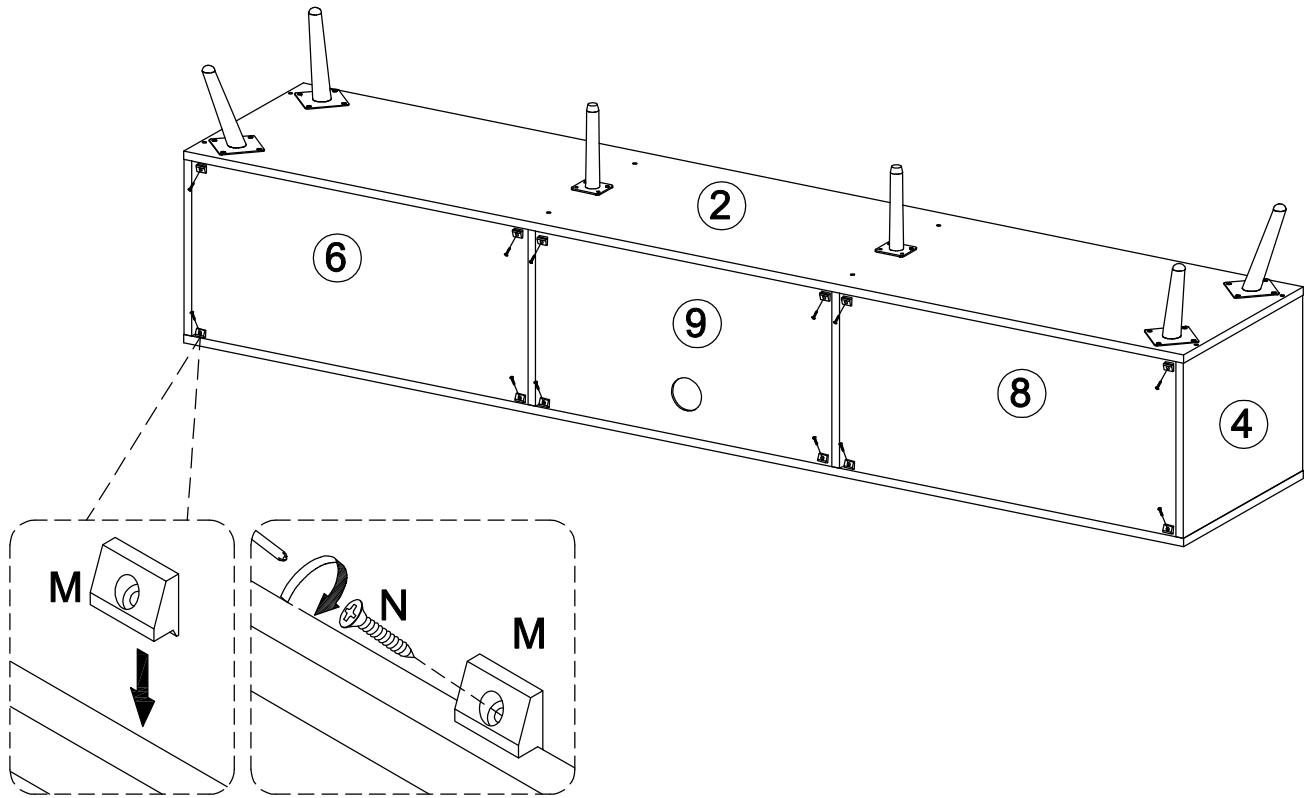
Step 6

S x 24
⚙
Ø4x14mm




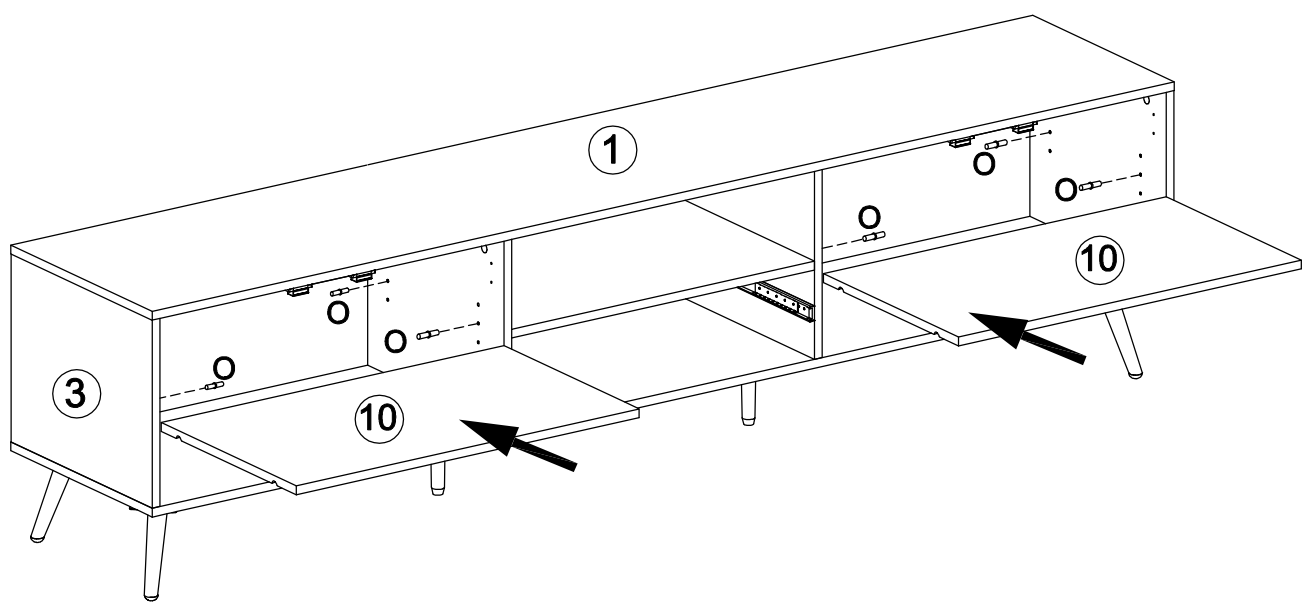
Step 7

M x 12	N x 12
	
	Ø3x16mm

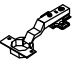







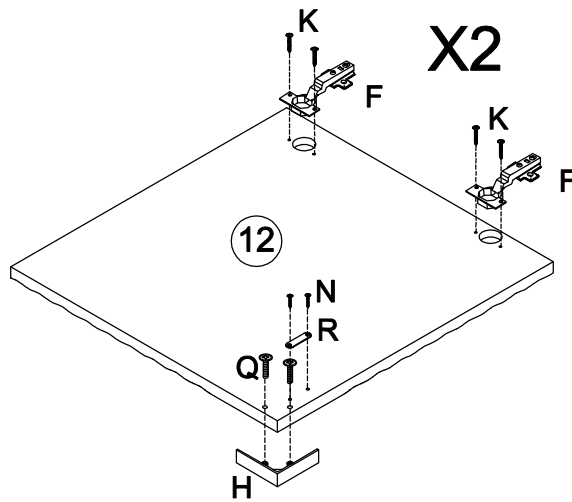
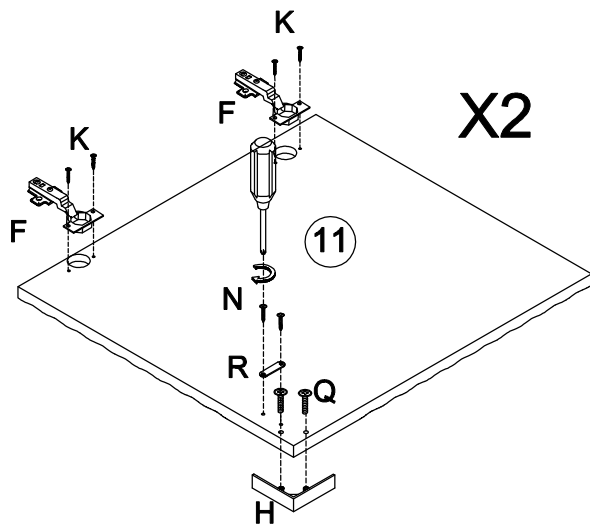
Step 8

O x 8


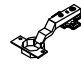
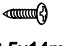


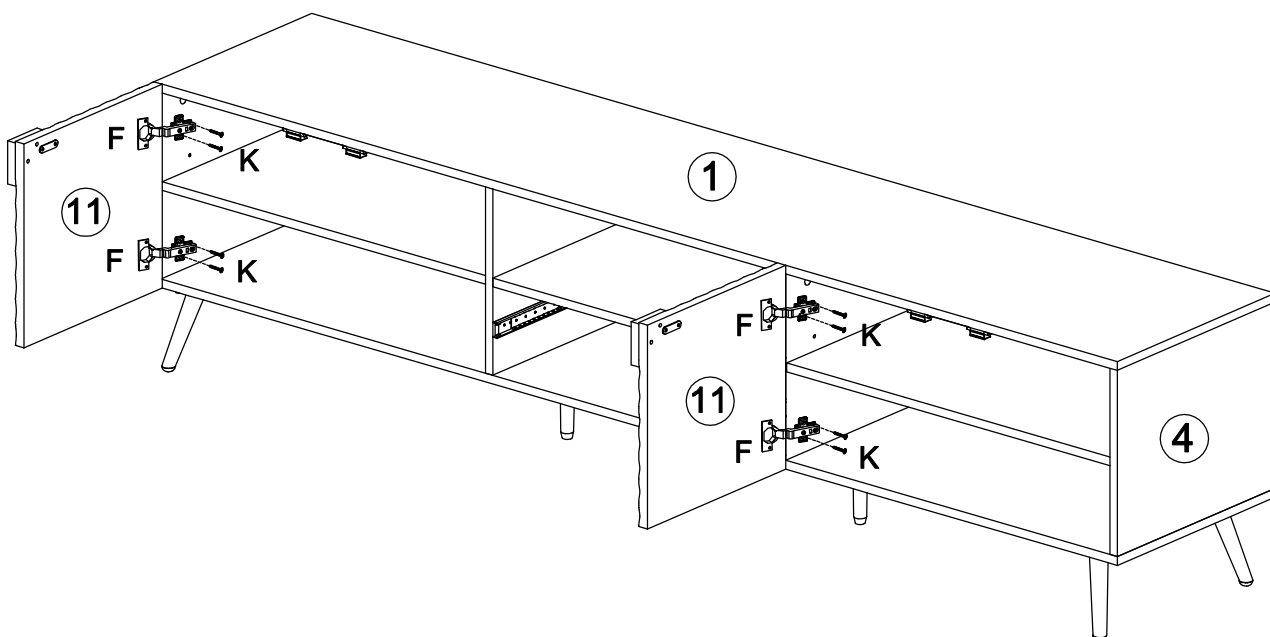
Step 9

F x 8 	H x 4 	K x 16  Ø3.5x14mm	R x 4 	N x 8  Ø3x16mm	Q x 8  Ø4x20mm
---------------------------------------------------------------------------------------------------	---------------------------------------------------------------------------------------------------	-------------------------------------------------------------------------------------------------------------------	-----------------------------------------------------------------------------------------------------	----------------------------------------------------------------------------------------------------------------	----------------------------------------------------------------------------------------------------------------

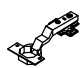



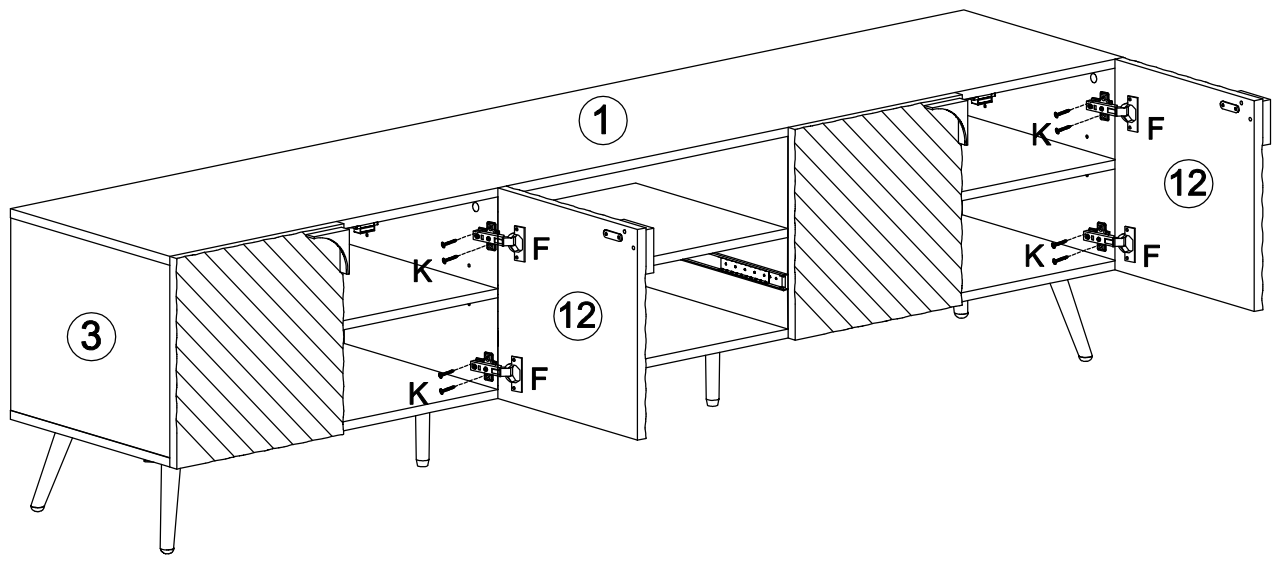
Step 10

F x 4 	K x 8  Ø3.5x14mm
-------------------------------------------------------------------------------------------------------	--------------------------------------------------------------------------------------------------------------------

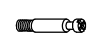




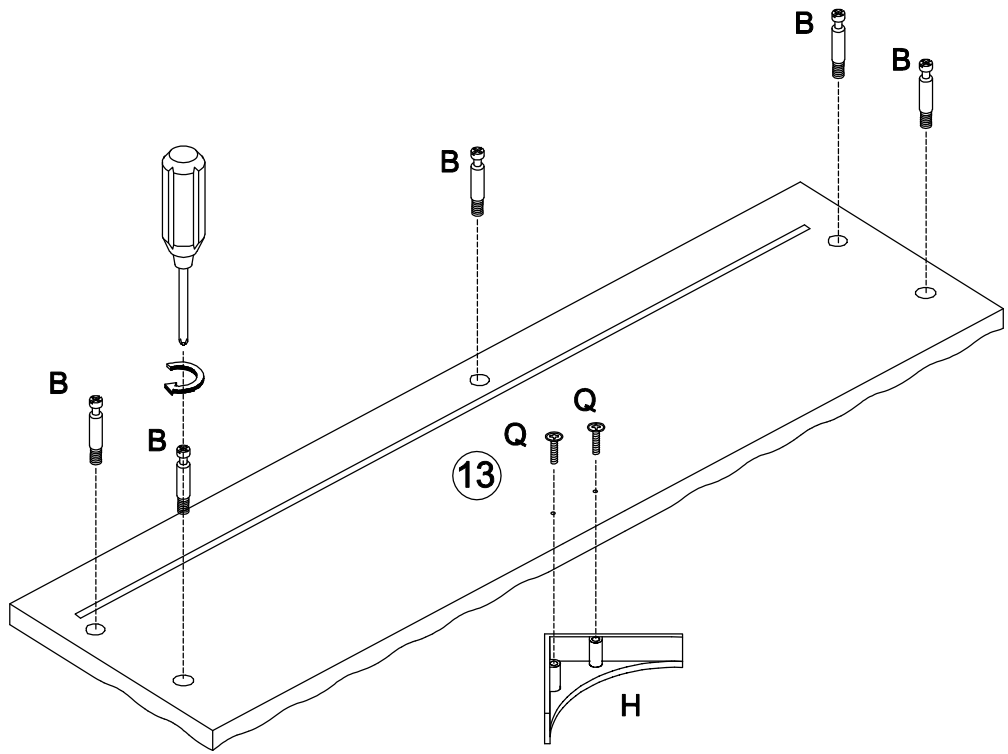
Step 11

F x 4	K x 8
	
	Ø3.5x14mm



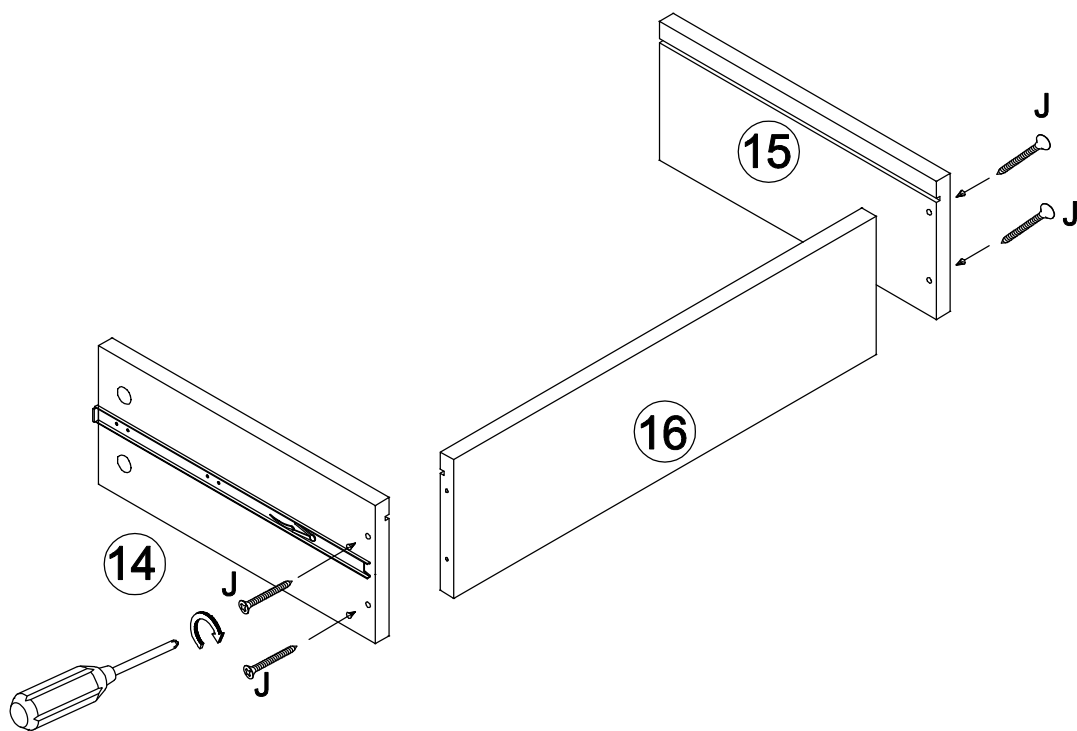
Step 12

B x 5	H x 1	Q x 2
		
Ø6x35mm		Ø4x20mm



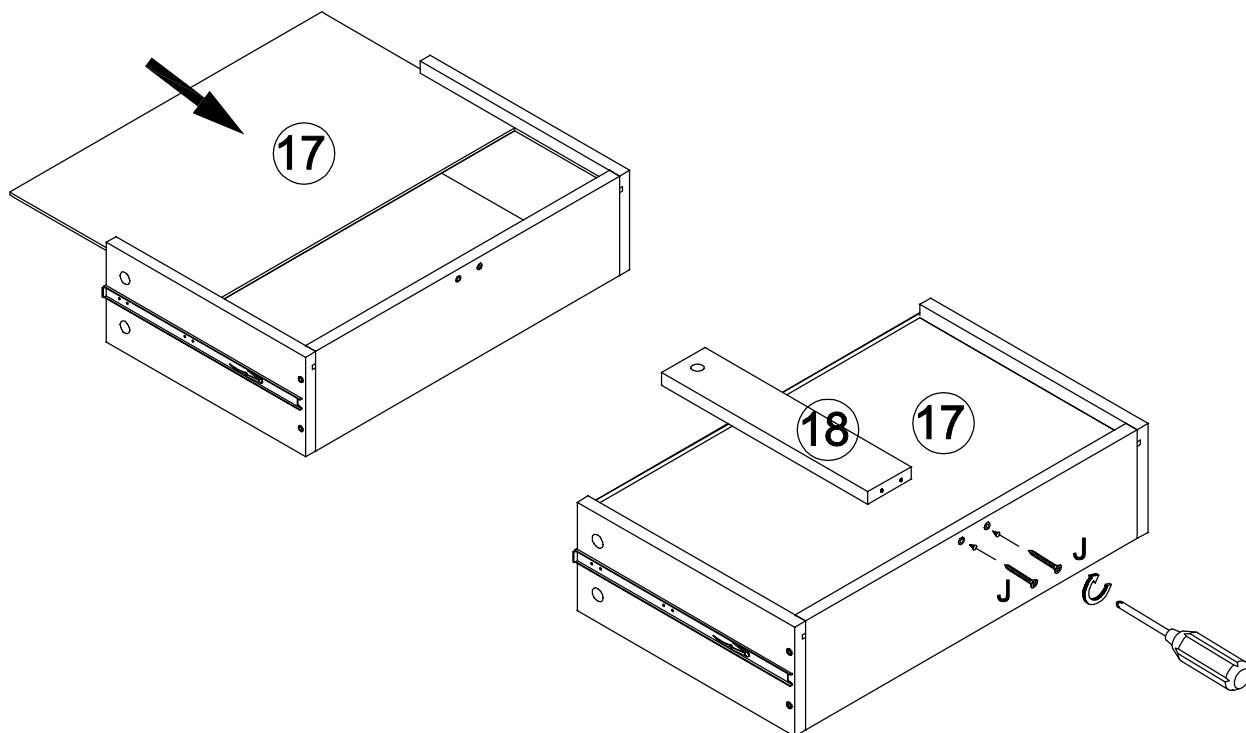
Step 13

J x 4



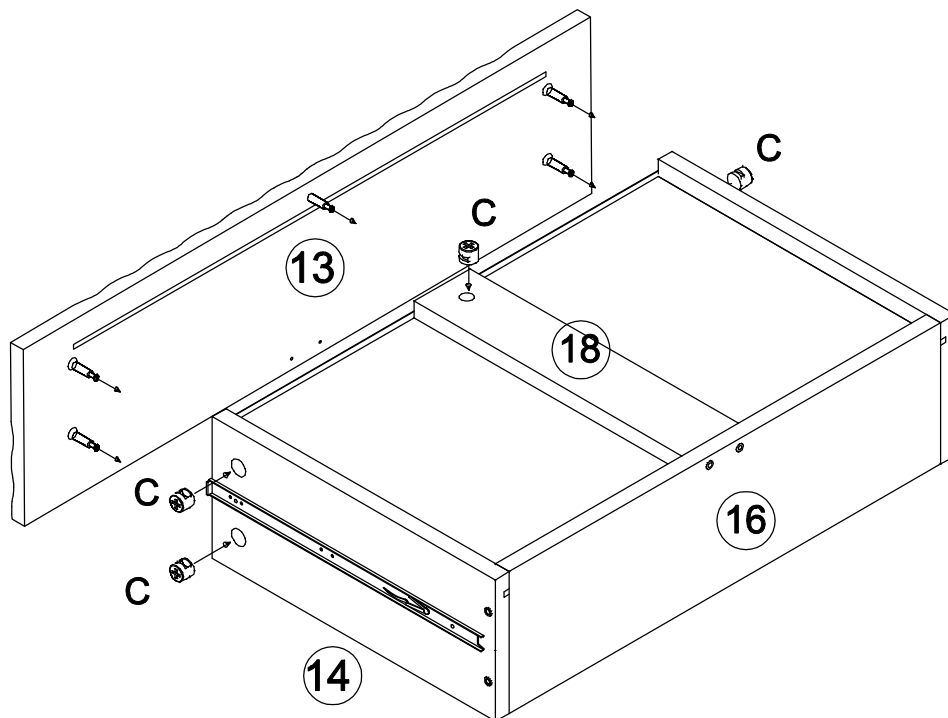
Step 14

J x 2



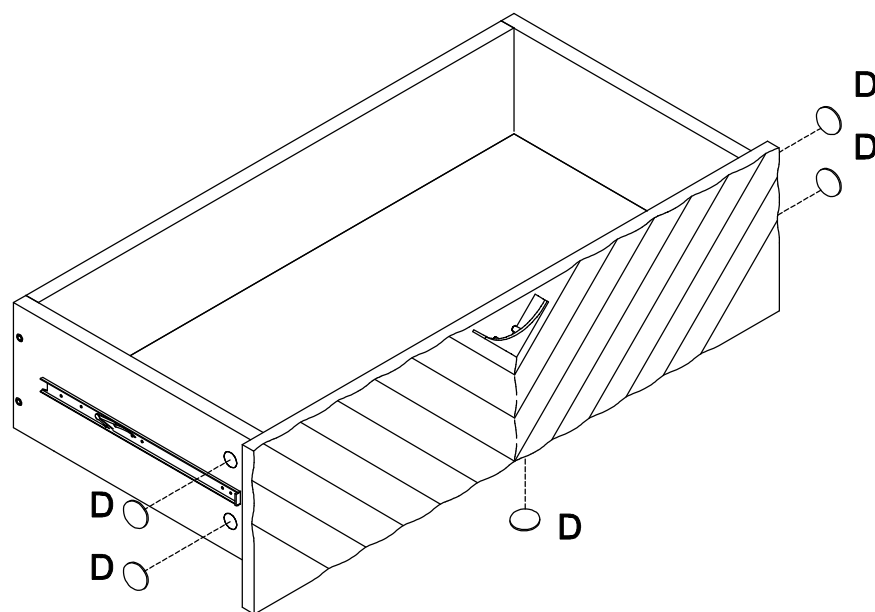
Step 15

C x 5
Ø15x12mm

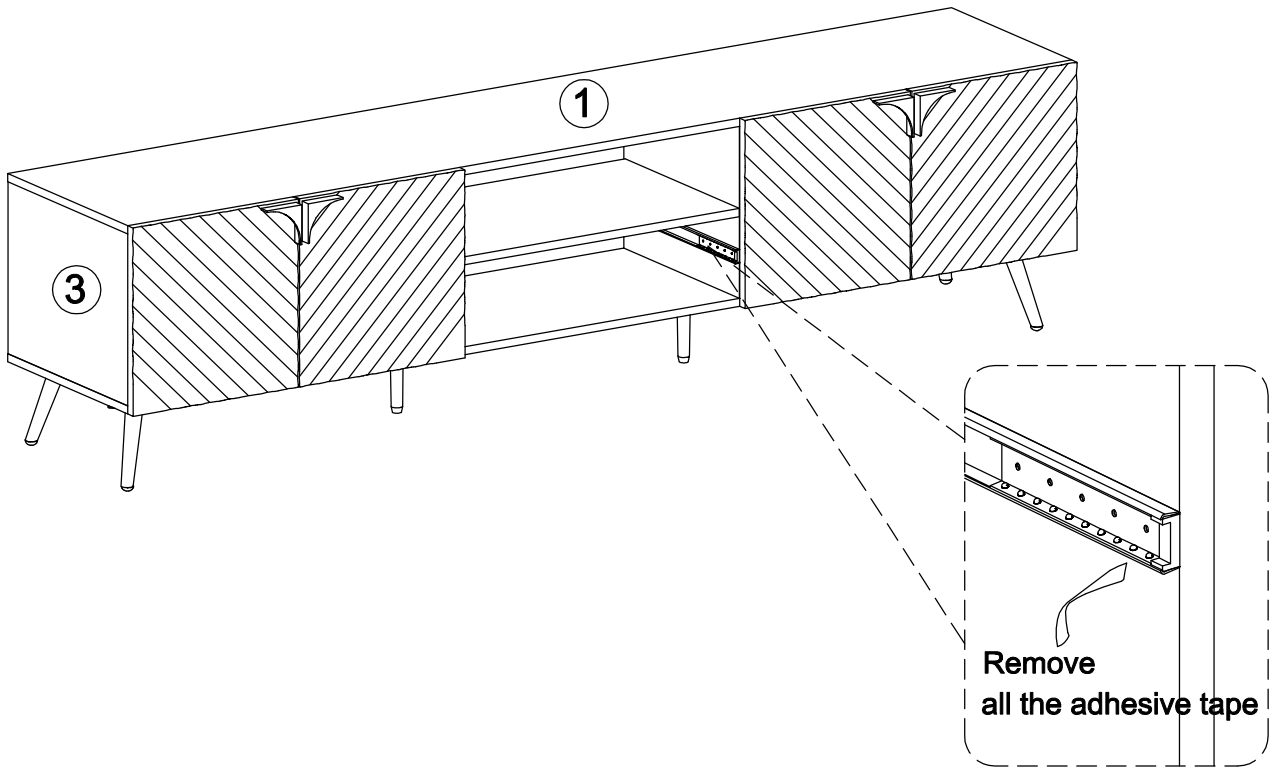


Step 16

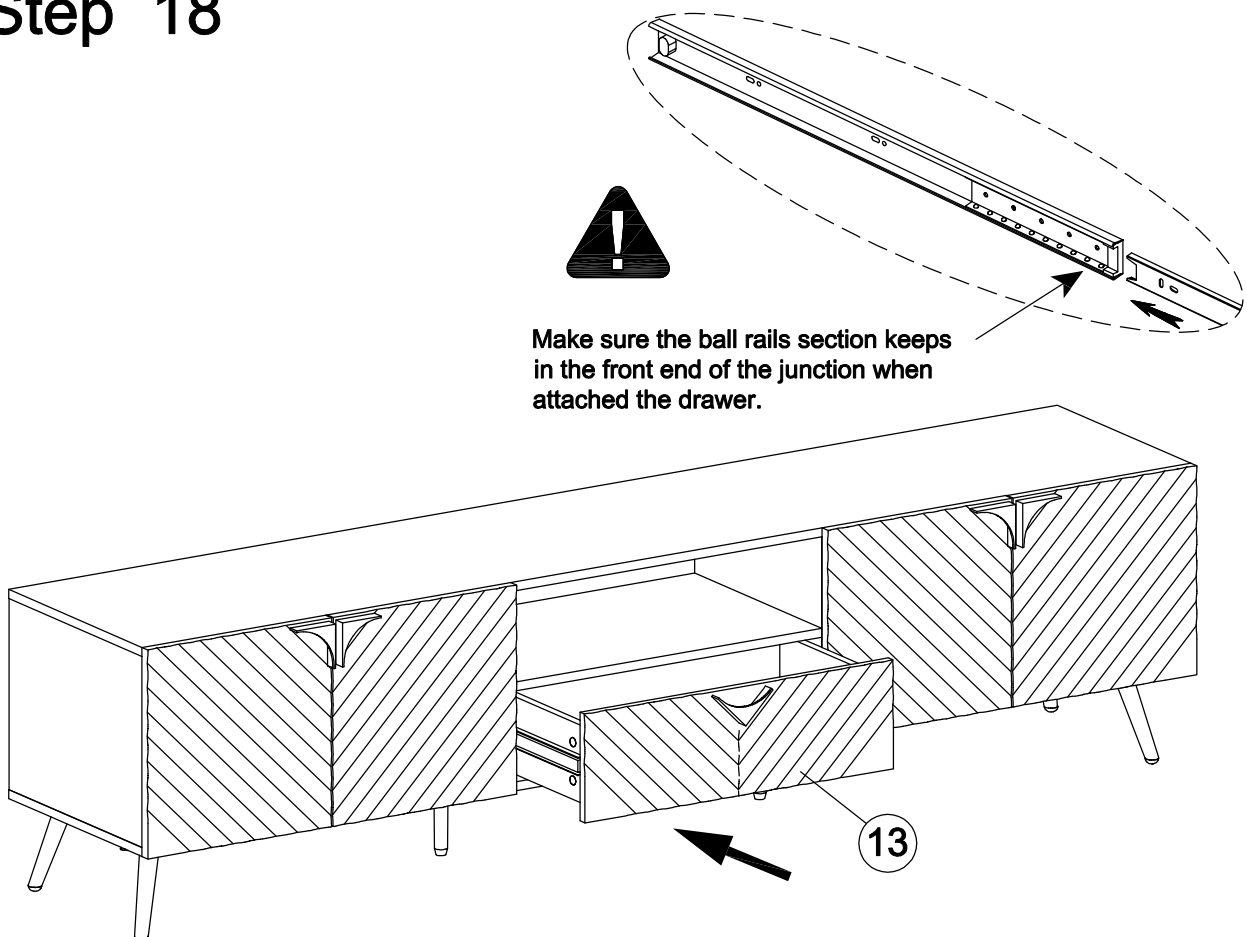
D x 5



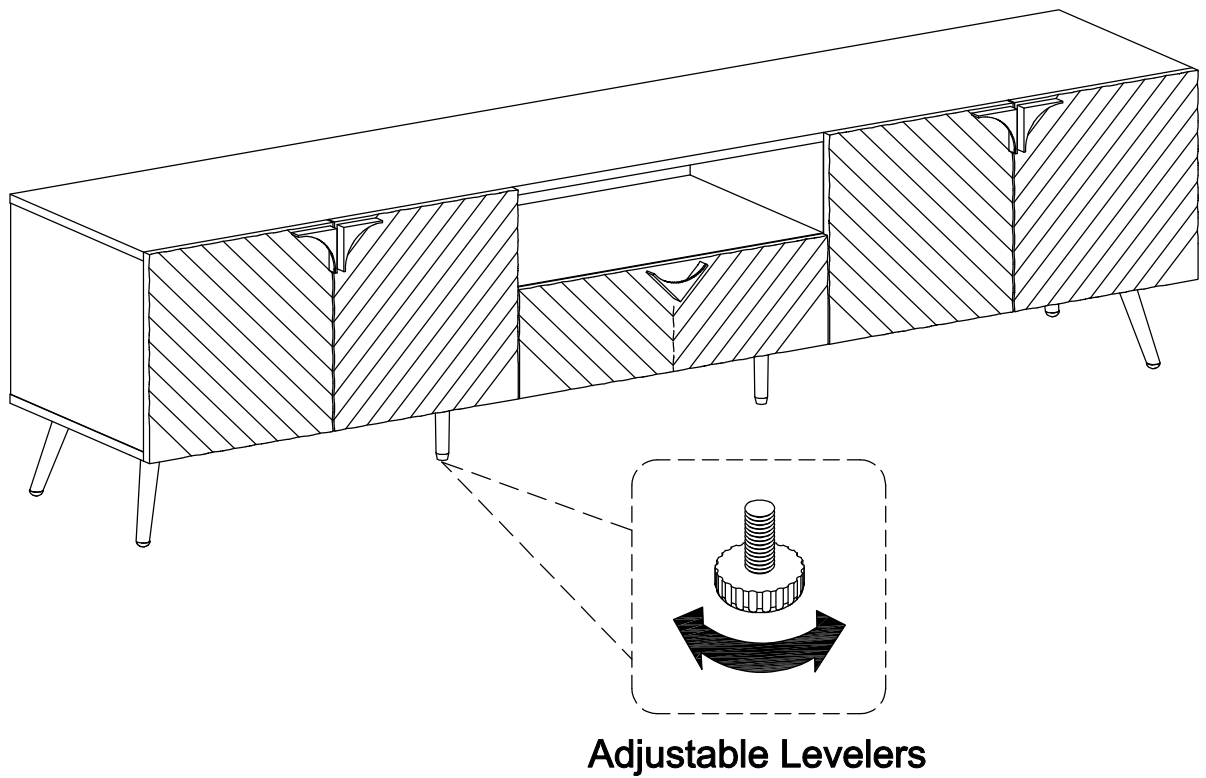
Step 17



Step 18



Step 19



Step 20

