

# ASSEMBLY INSTRUCTION

---

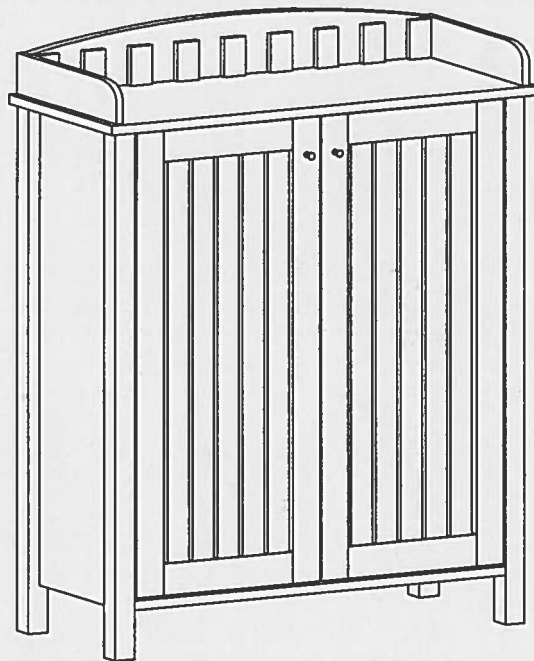
## PLEASE READ BEFORE ASSEMBLING!

Tip #1: Make sure you've taken all the pieces and hardware out of its packaging before discarding the box.

Tip #2: Using page 2 and/or page 3 of instruction manual make sure all pieces and hardware are accounted for.

Tip #3: Read manual before assembling, it helps!

ITEM#: 151154 155590  
151191 151189



# ASSEMBLY INSTRUCTION

## THE ROAD TO THE FUTURE

The first step is to determine the scope of the project. This involves identifying the goals and objectives of the project, and determining the resources available.

The next step is to develop a detailed plan. This includes identifying the tasks to be performed, the order in which they should be performed, and the resources required for each task.

It is also important to establish a timeline for the project, and to identify potential risks and how they can be mitigated.

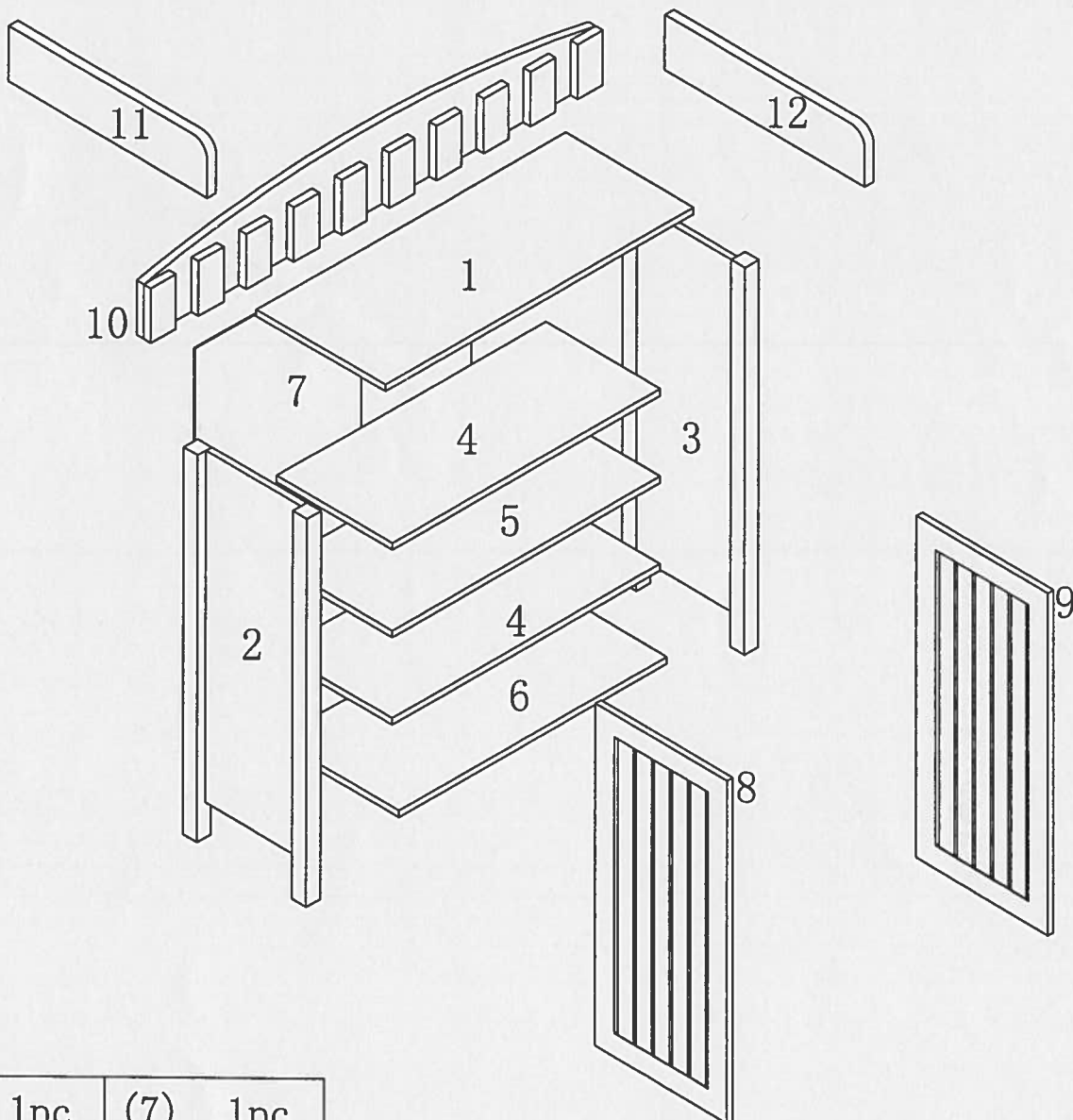
## THE ROAD TO THE FUTURE

### THE ROAD TO THE FUTURE



# PARTS IDENTIFICATION

ITEM#: 151154 155590  
151191 151189



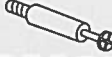




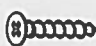

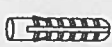


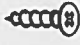
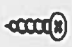








(1)	1pc	(7)	1pc
(2)	1pc	(8)	1pc
(3)	1pc	(9)	1pc
(4)	2pcs	(10)	1pc
(5)	1pc	(11)	1pc
(6)	1pc	(12)	1pc

RESEARCH REPORT

THE EFFECTS OF  
STRESS ON

# HARDWARE IDENTIFICATION

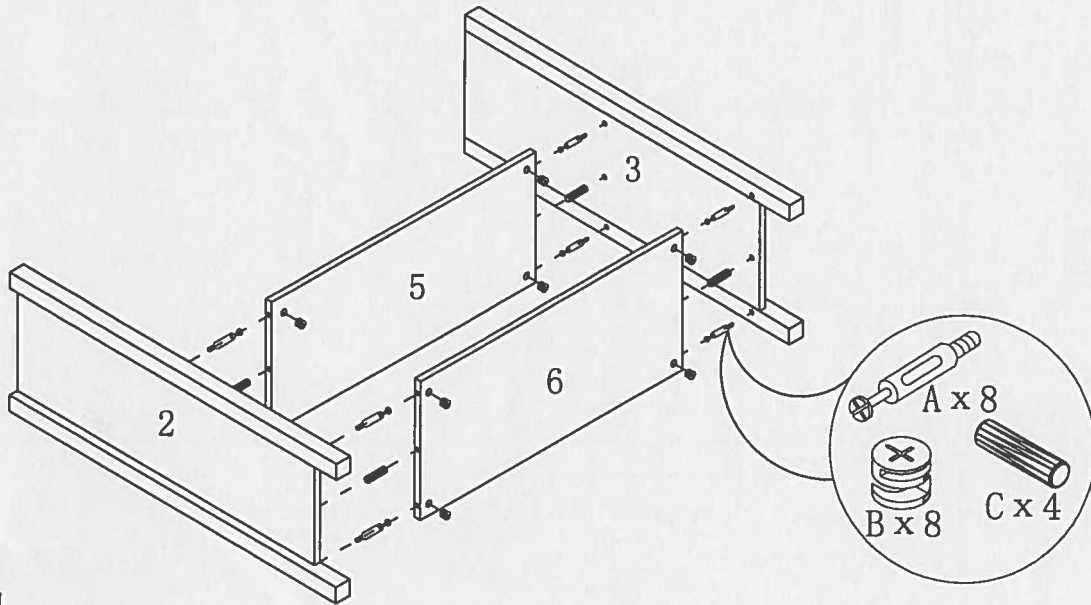
ITEM#: 151154 155590 151191 151189

A		L29	16pcs
B		∅ 15	16pcs
C		M8 × 25	8pcs
D			2pcs
E			1pc
F		∅ 4x25	1pc
G		∅ 5x40	1pc
H			1pc
I		∅ 4x22	2pcs
J			2pcs
K		∅ 3x16	4pcs
L		∅ 3x14	4pcs
M		∅ 5	8pcs
N		∅ 20	20pcs
O			30pcs
P			2pcs
Q		∅ 4x35	7pcs
R		L20	4pcs
S		∅ 12	4pcs
T		Glue: For securing please apply to wood dowel first before inserting into panel	1pc

LABORATORY REPORT

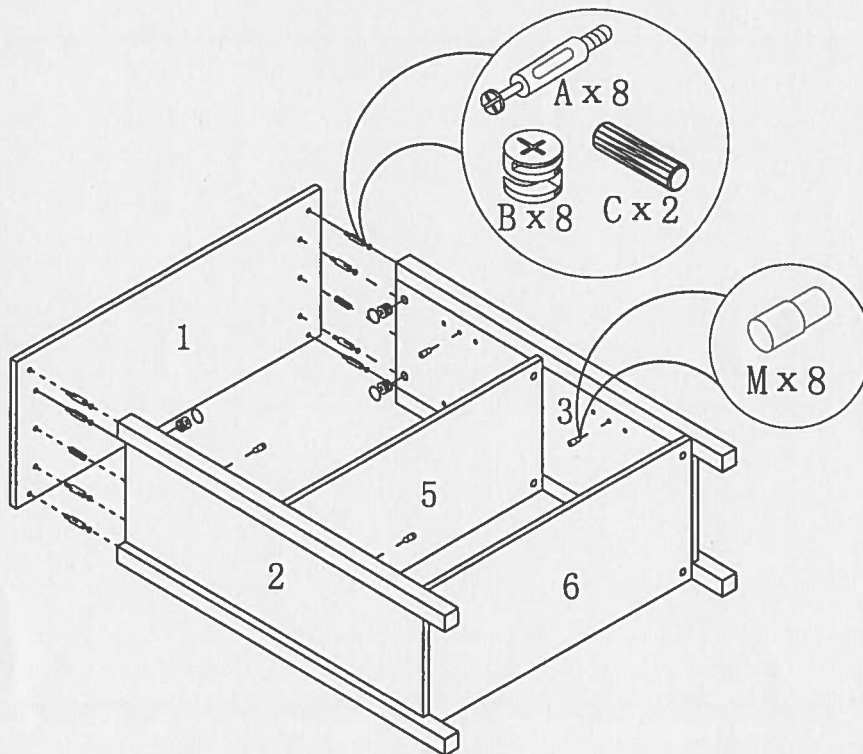
# ASSEMBLY INSTRUCTION

ITEM#: 151154 155590 151191 151189



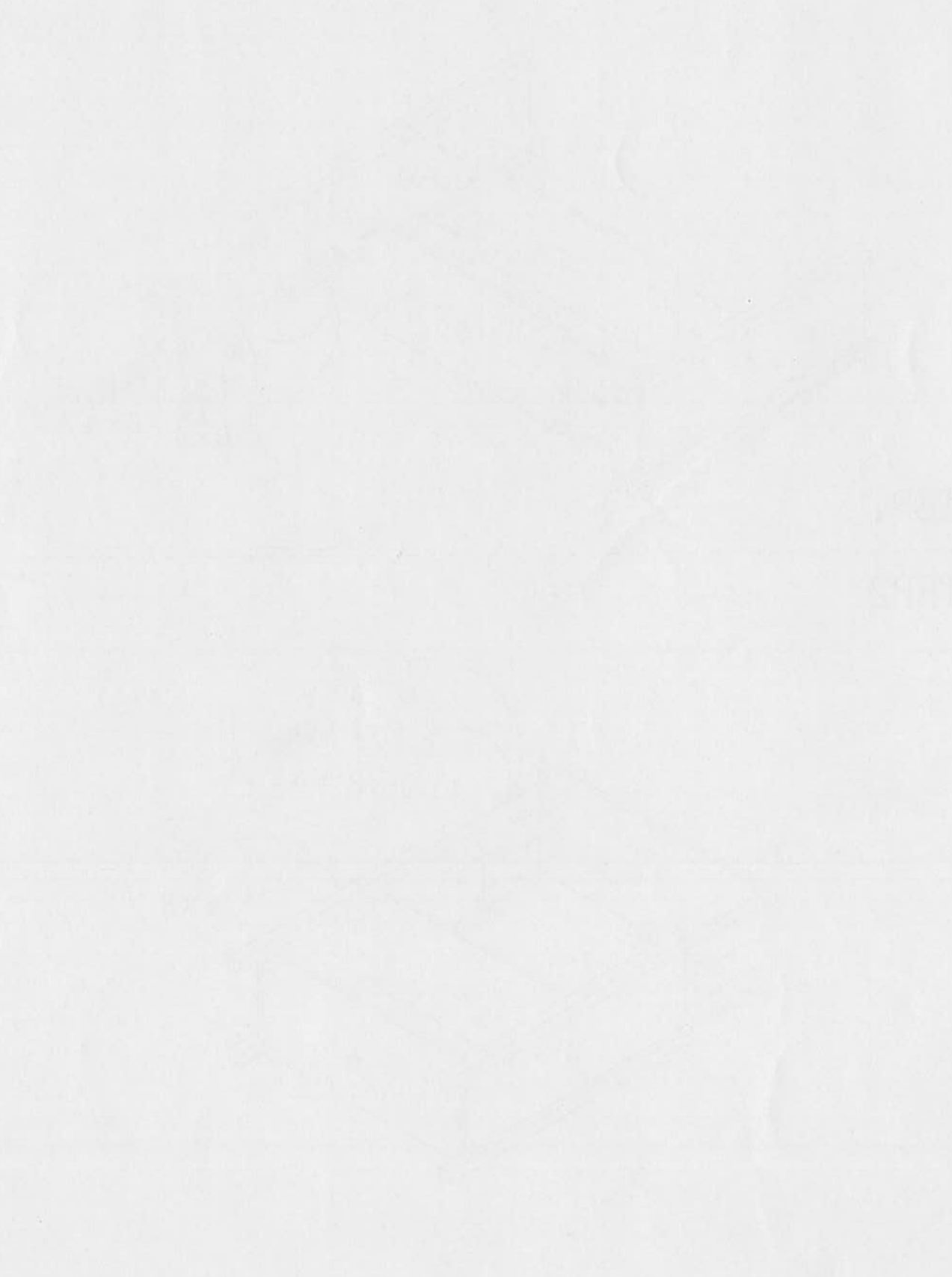
STEP 1

STEP 2



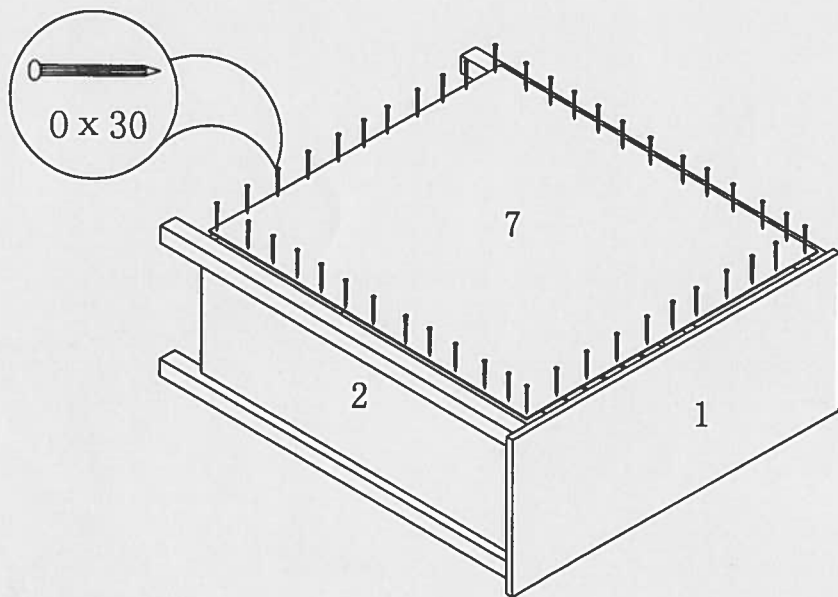
# ASSEMBLY INSTRUCTION

FOR THE USE OF THE USER



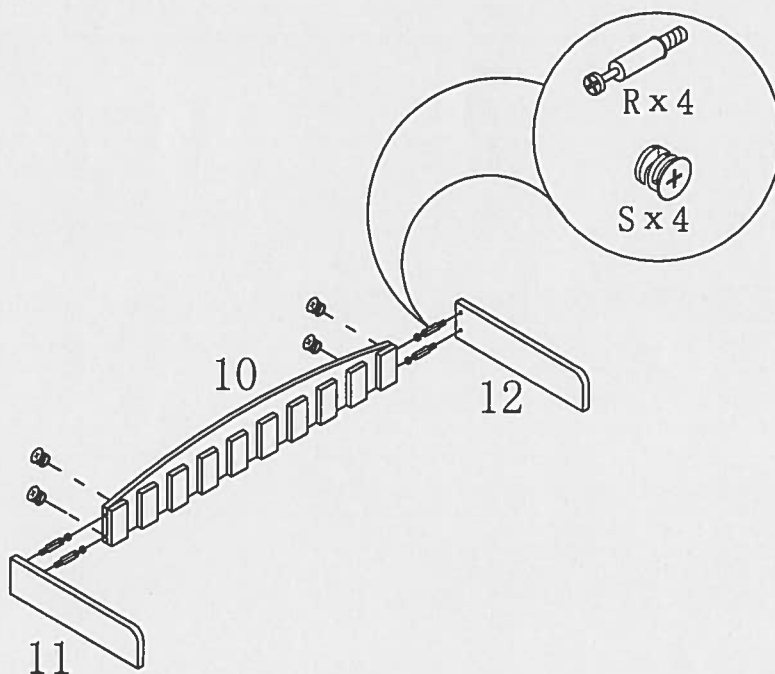
# ASSEMBLY INSTRUCTION

ITEM#: 151154 155590 151191 151189



STEP3

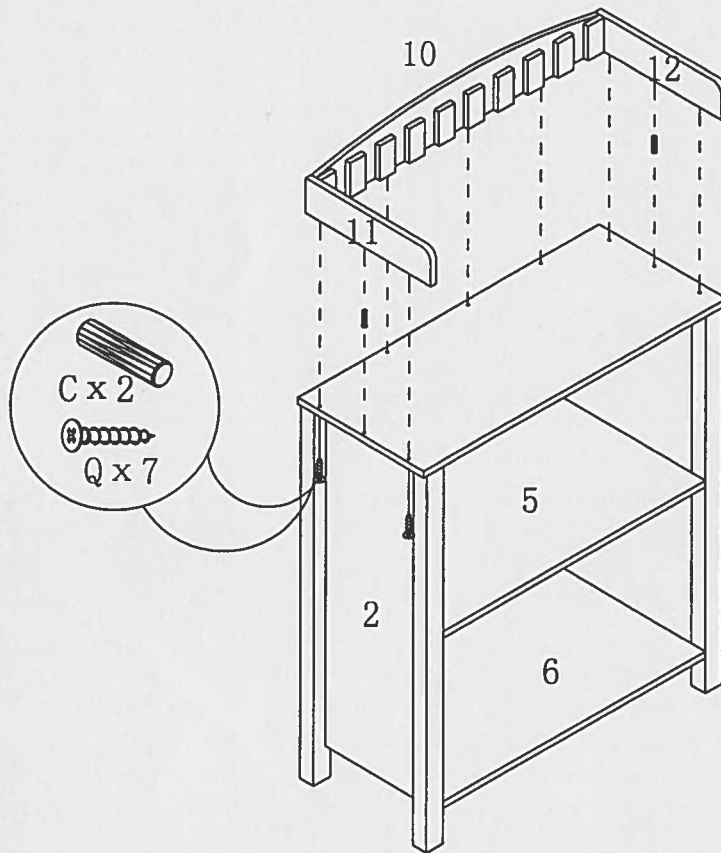
STEP4





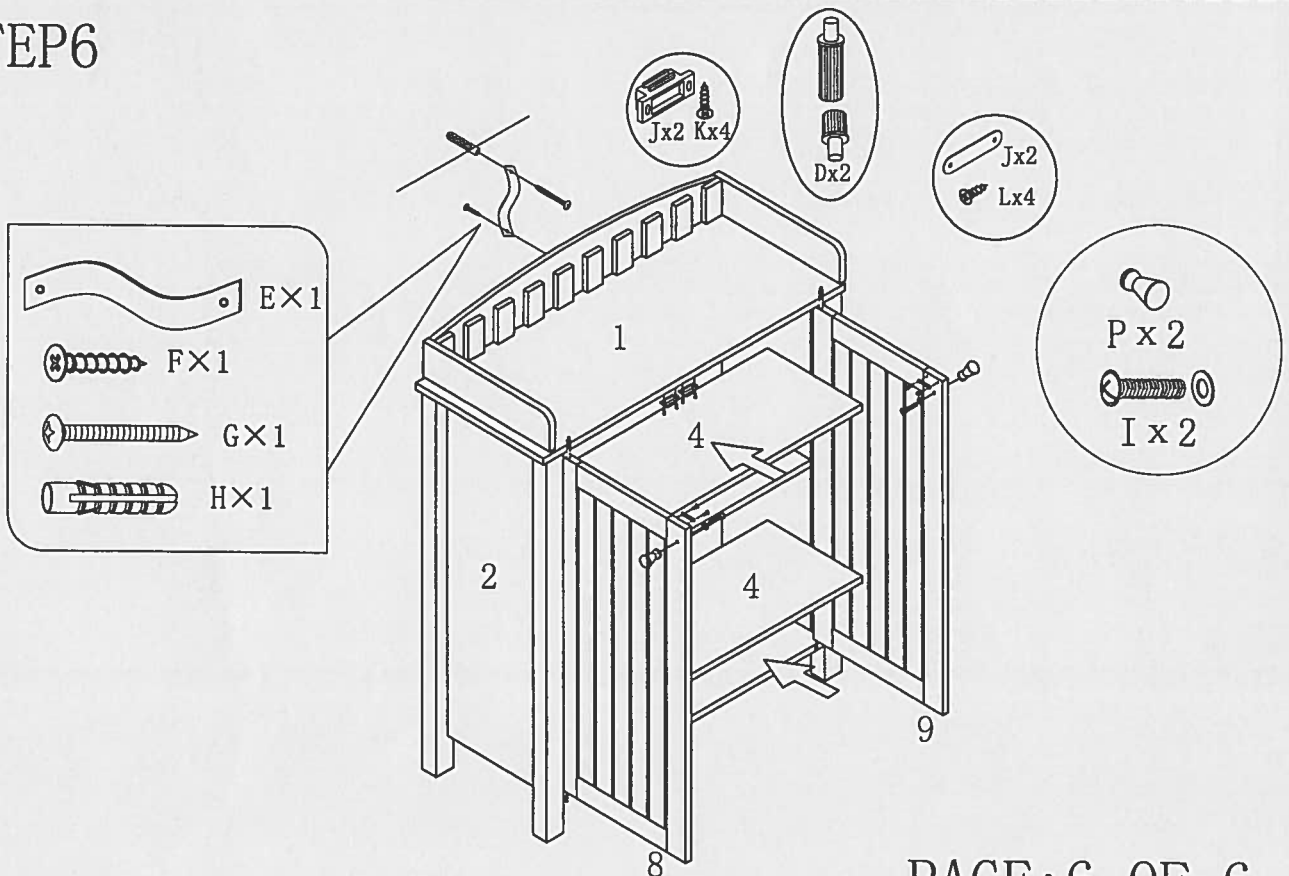
# ASSEMBLY INSTRUCTION

ITEM#: 151154 155590 151191 151189



STEP 5

STEP 6



# ASSEMBLY DISTRICT 10A

OFFICIAL RECORD BOOK 1911-1912

1911

1912

1913

1914

1915

1916

1917

1918

1919

1920

1921

1922

1923