

ASSEMBLY INSTRUCTION

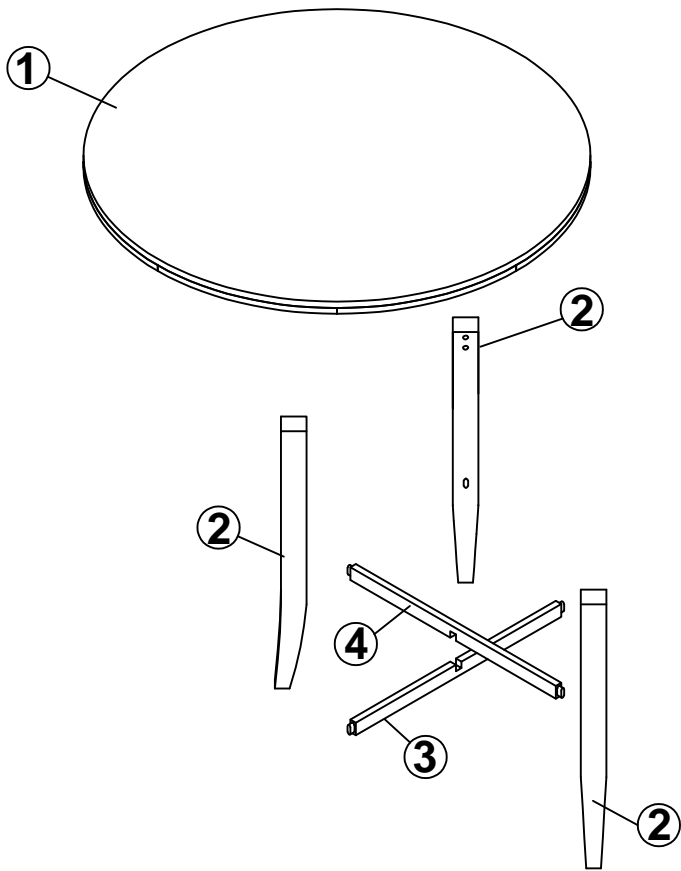
DINING TABLE

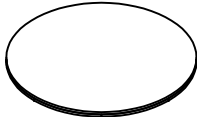






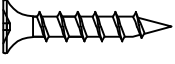




N715P198005

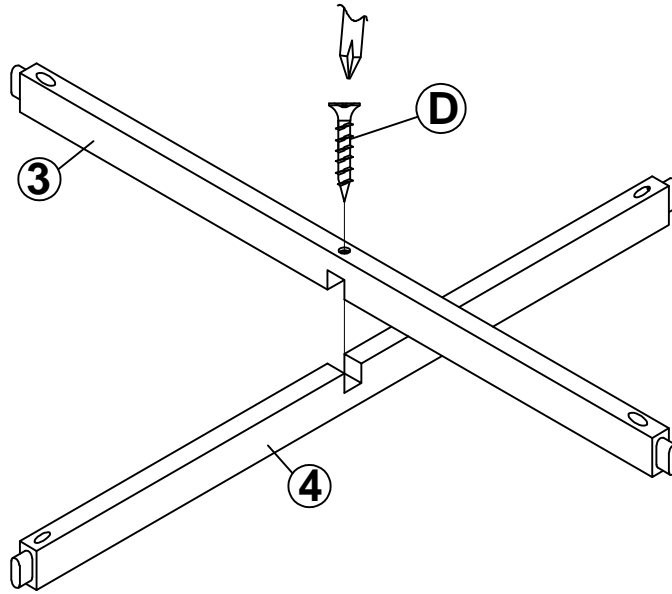
IMPORTANT NOTE :

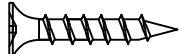
- ① PLACE ALL PARTS ON A CLEAN AND SMOOTH SURFACE SUCH AS A RUG OR CARPET TO AVOID THE PARTS FROM BEING SCRATCHED.
- ② BEFORE YOU BEGIN , KINDLY FOLLOW THE ASSEMBLY INSTRUCTIONS STEP BY STEP.
- ③ DO NOT TIGHTEN ALL SCREWS AND BOLTS UNTIL THE TABLE IS FULLY SET-UP



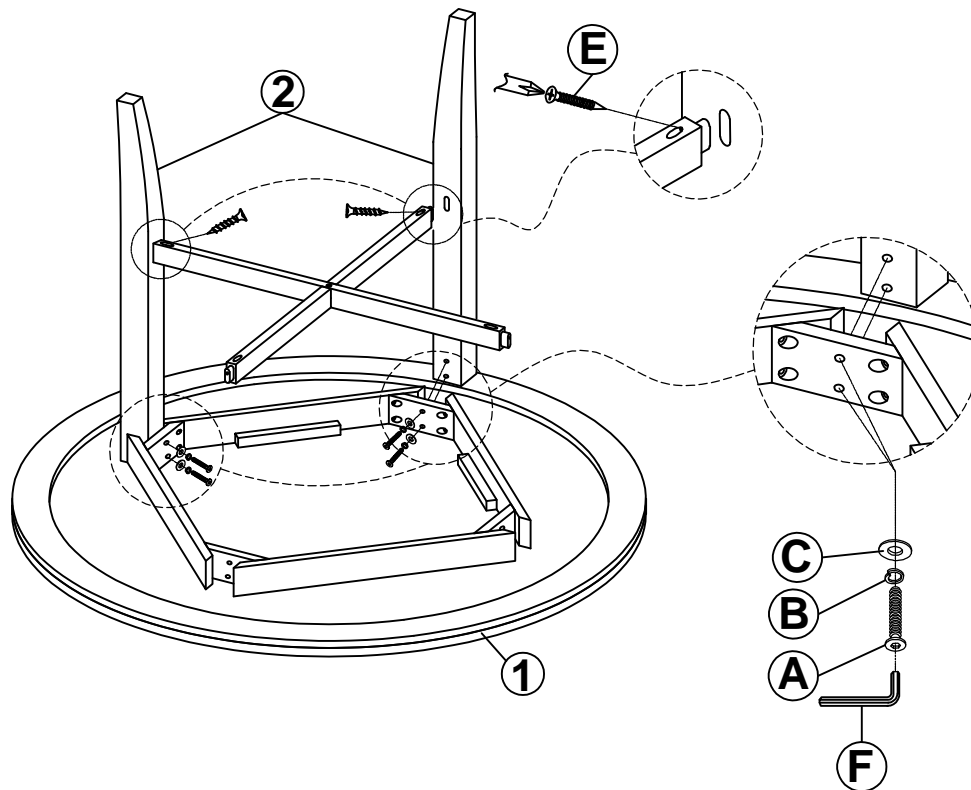
PART LIST		HARDWARE LIST	
①	 TOP TABLE(1pc)	Ⓐ	 Ø5/16" x 60mm BOLT (8pcs)
②	 LEGS (4pcs)	Ⓑ	 Ø5/16"x13mm SPRING WASHER (8pcs)
③	 STRETCHER (1pc)	Ⓒ	 Ø5/16"x19mm FLAT WASHER (8pcs)
④	 STRETCHER (1pc)	Ⓓ	 #4x30mm WOOD SCREW (1pcs)
		Ⓔ	 #4x40mm WOOD SCREW (4pcs)
		Ⓕ	 4 mm ALLENKEY (1pc)





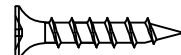
Step 1



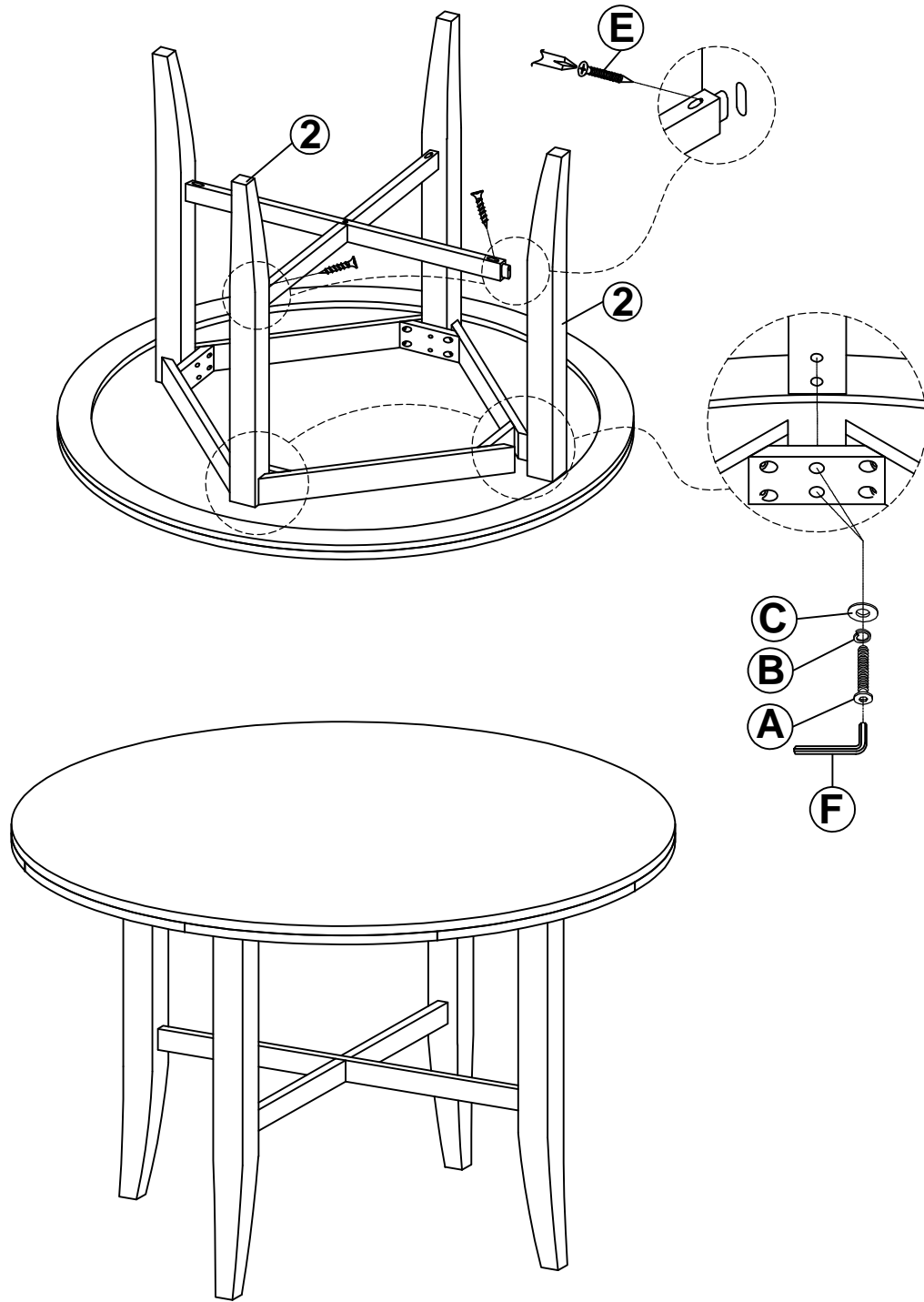
D	#4x30mm		1PC
---	---------	-----------------------------------------------------------------------------------	-----

Step 2





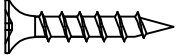


A	Ø5/16"x60		4PCS	C	Ø5/16"x19		4PCS
B	Ø5/16"x13		4PCS	F	4x58mm		1PC
E	#4x40mm		2PCS				

Step 3



Complete

A	Ø5/16"x60		4PCS	C	Ø5/16"x19		4PCS
B	Ø5/16"x13		4PCS	F	4x58mm		1PC
E	#4x40mm		2PCS				