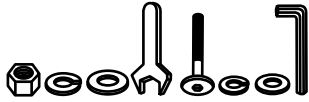
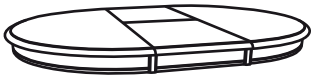

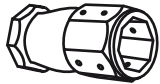
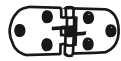

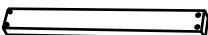
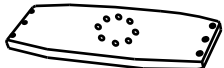




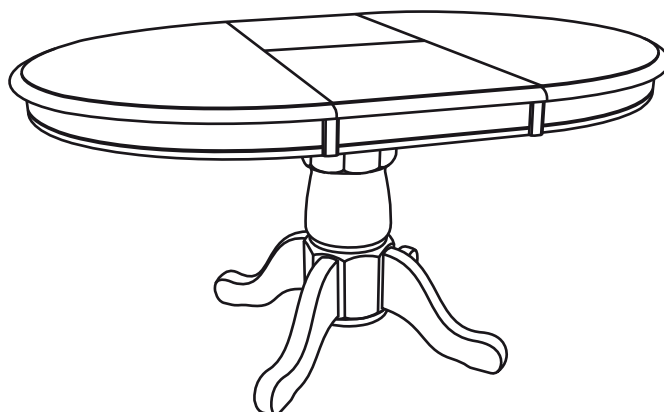


Assembly Instructions





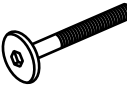



PARTS LIST

FIGURE	DESCRIPTION	Q'TY
	Hardware Bag	1 Pc
	Table Top	1 Pc
	Leg	4 Pcs
	Pedestal	1 Pc
	Apron Hinge	4 Pcs
	Leaf Hinge	2 Pcs
	Support Leaf	1 Pc
	Mounting Plate	1 Pc
	Side Mounting Plate	2 Pcs
	Hook Lock	4 Pcs
	Support Leaf Hinge	2 Pcs
	Apron Leaf	2 Pcs



Assembly Instructions

HARDWARE PART :

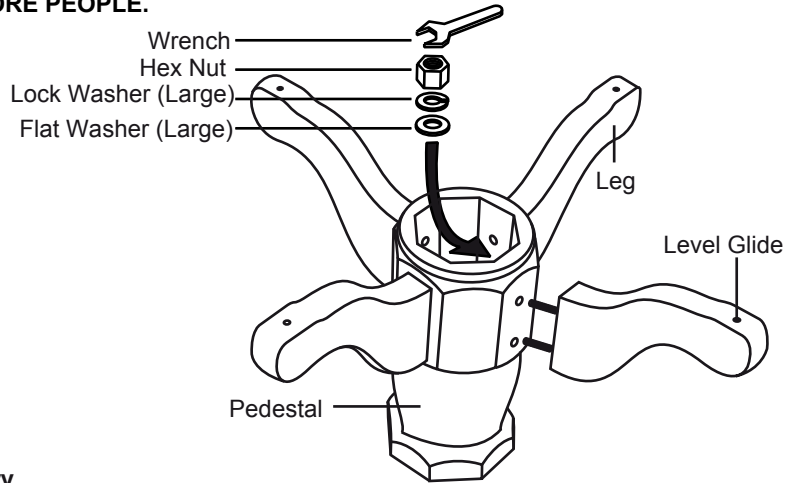
							
Hex Nut 12 pcs	Large Lock Washer 12 pcs	Large Flat Washer 12 pcs	Wrench 1 pc	JCBC Bolt 8 pcs	Small Lock Washer 8 pcs	Small Flat Washer 8 pcs	Allen Key 1 pc

NOTE : THE UNIT SHOULD BE ASSEMBLED BY 2 OR MORE PEOPLE.

ASSEMBLY

STEP 1

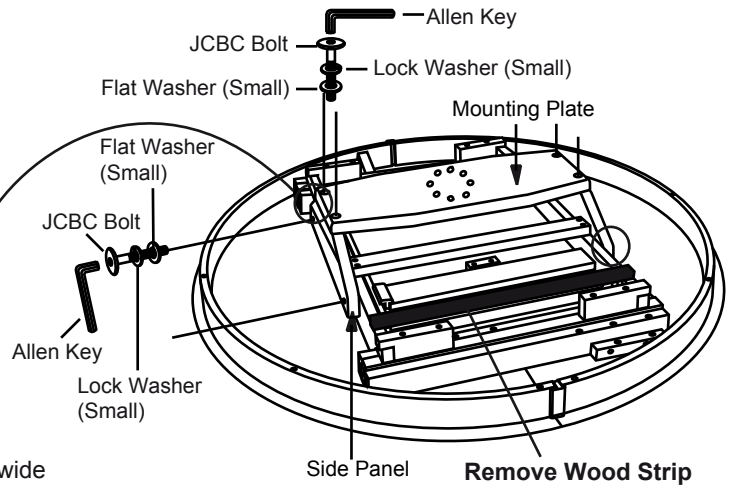
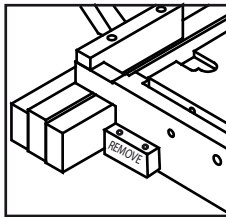
Turn the pedestal upside down and attach legs to the pedestal using the provided hardware as shown in Fig.1. Once legs are attached to the pedestal turn the Base Right side up.



STEP 2

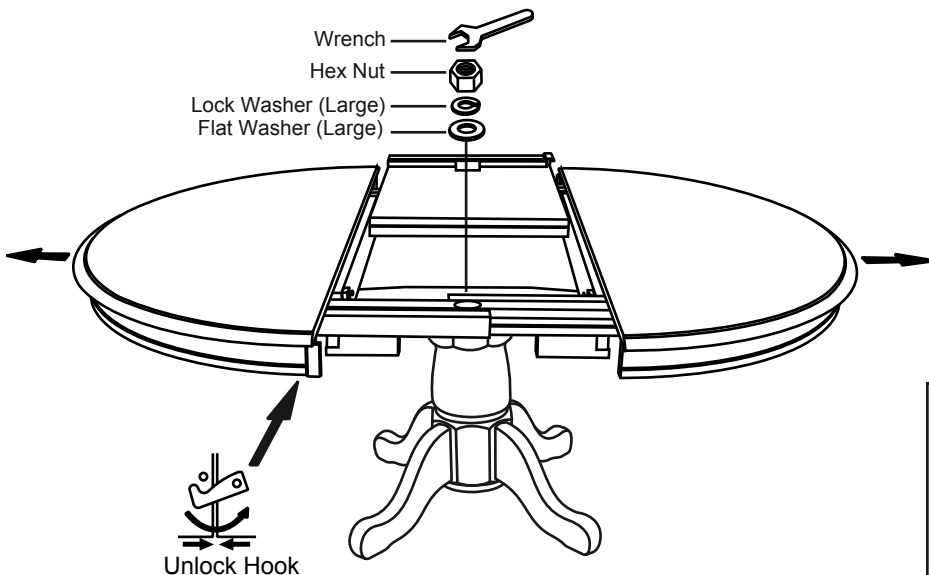
Position the table top upside down on a soft, protective surface such as carpet. **Remove and discard the temporary Wood Strip.** Attach the side mounting plate using the provided hardware as shown in Fig.2, Then attach mounting plate using the provided hardware as shown in Fig.2.

Must Remove



STEP 3

Unlock the hooks locks underneath the table and pull the table top wide open equally from both ends. Align and attach the table top to the pedestal by insert a the provided hardware as shown in Fig.3.



CARE INSTRUCTION

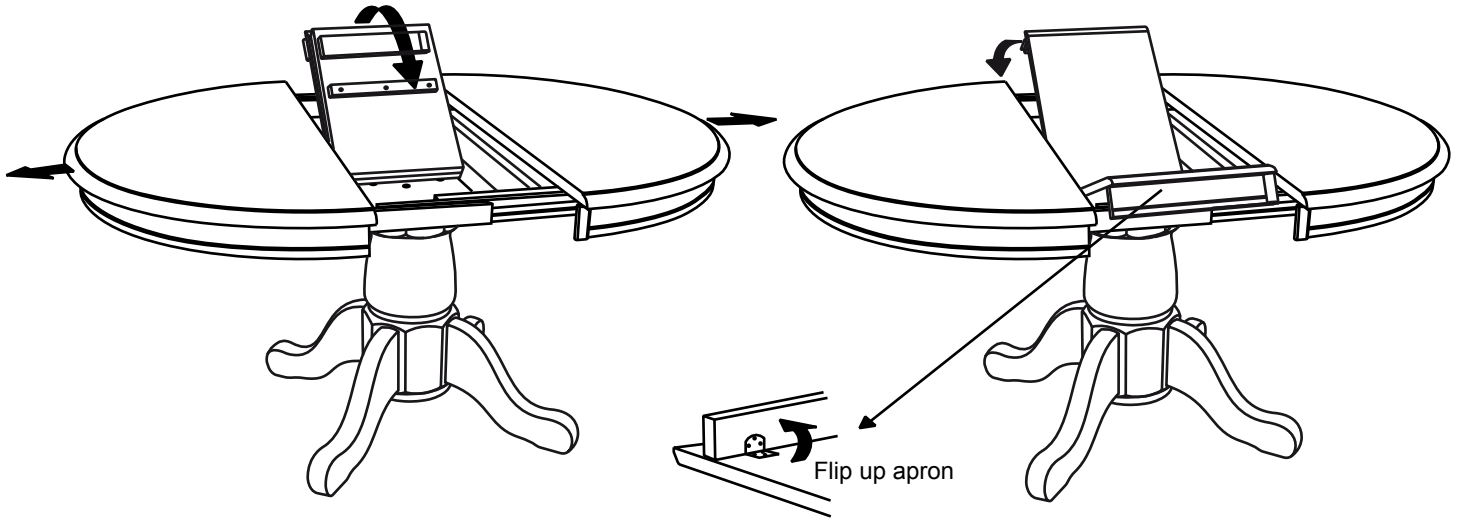
- ~ Be sure to use the same type of polish consistently. Your furniture will appear cloudy or streaky if oil based or wax based polishes are interchanged.
- ~ Spray your furniture surface evenly. Wipe in a circular motion with a soft clean cloth.

IMPORTANT NOTE:
Storing and opening the leaf
requires 2 people.

Assembly Instructions

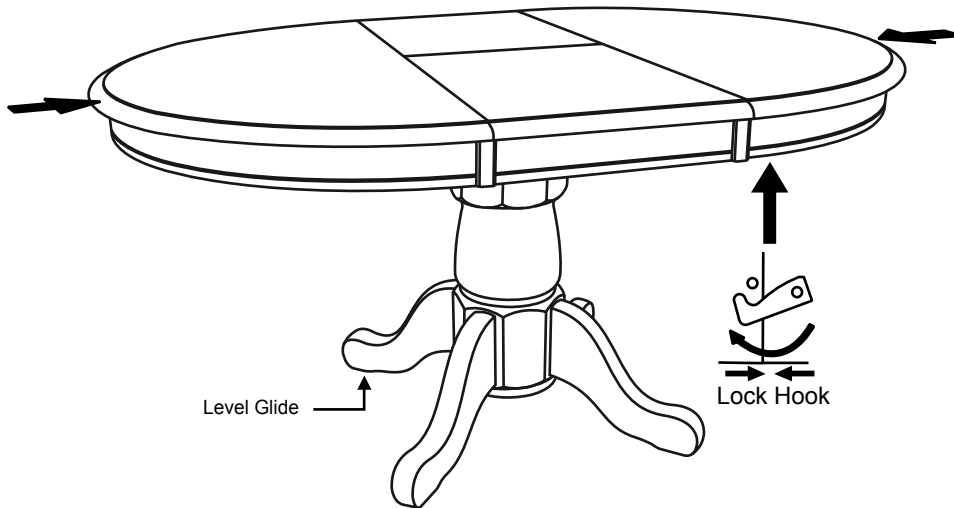
STEP 4

Lift both leaves from the compartment and flip up the aprons then unfold table leaf and place the leaf on the top surface carefully.



STEP 5

Push table top from both ends to close gap and lock the hooks underneath the table. Adjust the level glides until the table sits firmly.



TO STORE THE CENTRE LEAF WHEN NOT IN USE

Unlock the hooks underneath the table and pull the table top wide open equally from both ends. Flip down the aprons and fold the center leaf to store within the compartment. Push table top from both ends to close. Lock the hooks underneath the table.

