

## NOTICE

- \* Please make sure that you have all parts indicated and they are in good condition before you begin assembly of this item. Refer to part list and hardware list below for guidance.
- \* This item should be assembled on a soft surface to prevent scratching the finish
- \*To reduce the risk of fire, electrical shock or injury to persons or property, please follow the below for safe use and installation.
- \*The external flexible cable or cord of this luminaire can not be replaced; If the cord is damaged, the luminaire shall be destroyed.
- \* If you are having difficulty, our friendly Customer Care team is always here to help.


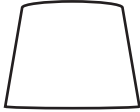
## PREPARATION

\*\*This portable lamp has a polarized plug (one blade is wider than the other) as a safety feature to reduce the risk of electric shock. this plug will fit in a polarized outlet only one way. if the plug does not fit fully in the outlet, reverse the plug, if it still does not fit, contact a qualified electrician. Never use with an extension cord unless the plug can be fully inserted. Do not attempt to defeat this safety feature.

## CARE AND MAINTENANCE

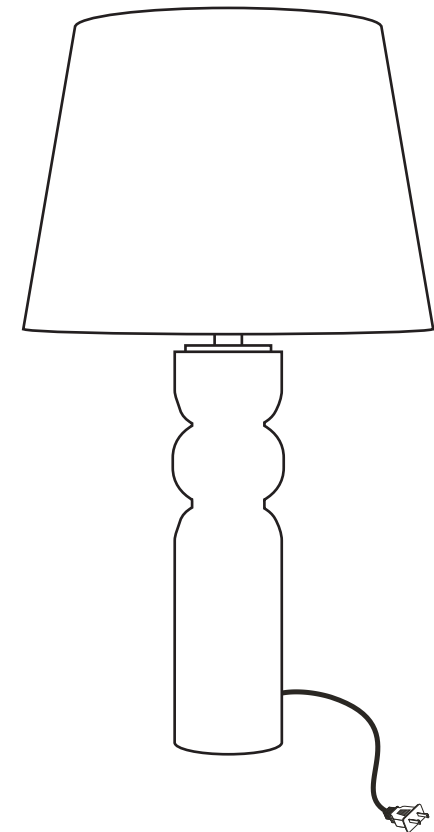
Unplug Lamp before using any cleaning solutions. Dust shade with a feather duster as with an appropriate vacuum-brush attachment. Wipe with a soft, dry cloth and clean lamp base with methods appropriate to the material. Avoid the use of chemicals and household cleaners as they may damage the finish.

Part List and Hardware List

PIECE	DESCRIPTION	PICTURE	QUANTITY	PIECE	DESCRIPTION	PICTURE	QUANTITY
A	Lamp body		1X	B	Lamp Shade		1X

# OWNER MANUAL

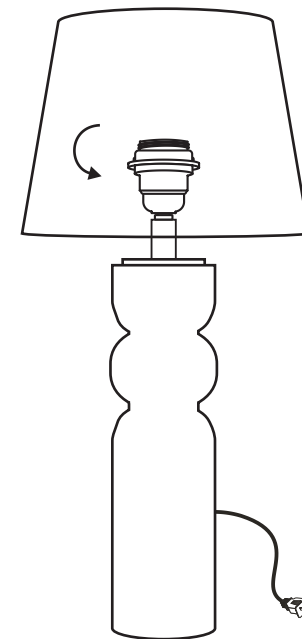
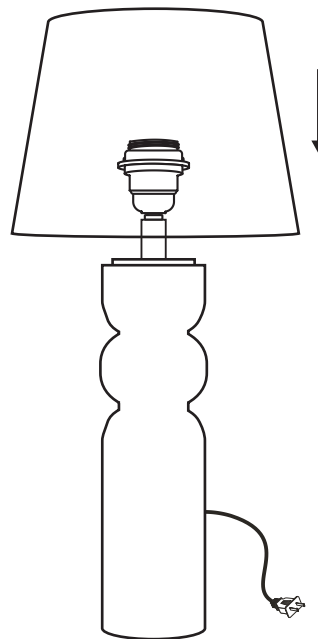
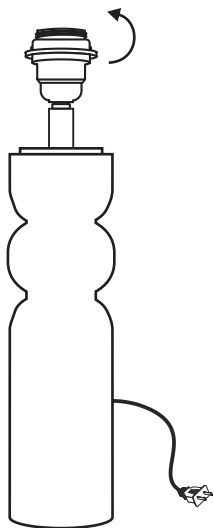
Product Dimensions : 14 X 14 X 24.5"



## PREPARATION

- \* Before beginning assembly of product, make sure all parts are present. Compare parts with part contents list and hardware contents list.
- \* If any part is missing or damaged, do not attempt to assemble the product.
- \* Estimated Assembly Time: 10 minutes.
- \* If you are having difficulty, our friendly Customer Care team is always here to help.

PLEASE USE ON/OFF TYPE "A" BULB MAX 150-WATT OR CFL BULB MAX 25- WATT



### Step 1

Unscrew washer  
from the Lamp holder

### Step 2

Place the lampshade (B) on  
the lamp holder

### Step 3

Screw Washer back on  
the lamp holder

ENJOY YOUR LAMP