

**70" COMPTON  
ACRYLIC DOUBLE  
ROLL TOP TUB**

Cat. No.  
ATDRN70B



L: 70"  
W: 31-3/4"  
H: 22"

Water depth: 17-1/8" to top of tub  
Water depth: 12-5/8" to overflow

- The following is recommended for ATDRN tubs:**
- Faucets: part #4602, #4604 or 7082
  - Use with Freestanding Bath Supplies: part #4502
  - Leg tub drain: part #5599LT or #5599TS



Overflow can be drilled.  
With overflow drilled this tub requires drain **5599E**.  
**Tubs that have been drilled with overflow are "special order" and are not returnable.**

Gallon Capacity without OF: 57  
Gallon Capacity with OF: 47  
Shipping Weight: 425 lbs.  
Empty Weight: 200 lbs.  
Filled Weight without OF: 676 lbs.  
Filled Weight with OF: 592 lbs.

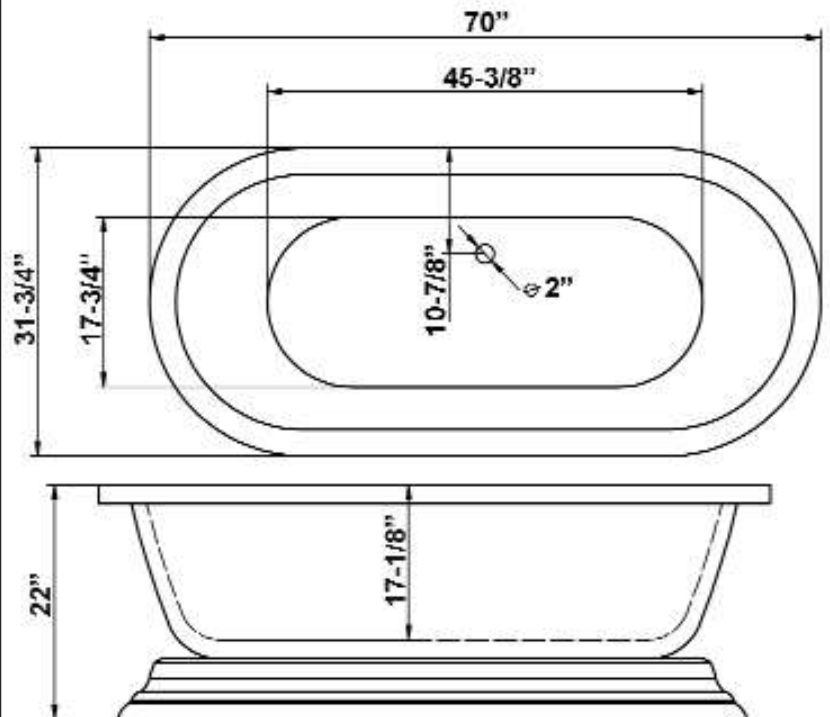
**Features:**

- ▶ Interior and exterior walls acrylic sheets
- ▶ Space between walls is partially filled with fiberglass & resin
- ▶ No faucet holes
- ▶ No overflow
- ▶ Includes base
- ▶ Tub is thoroughly inspected before shipment



**WARNING:** This product can expose you to chemicals, including Toluene and Styrene, which are known to the state of California to cause cancer and birth defects or other reproductive harm.  
For more information go to [www.P65Warnings.ca.gov](http://www.P65Warnings.ca.gov)

**Custom Colors Available** (inside of tub is always white enamel):  
Painted bathtubs are considered "special order" and are not returnable  
\$160 Bisque or Black \$250 Designer Color



Dimensions of fixture are nominal and specifications subject to change without notice.