

SKU:MZ01BK02 MZ01WH02 MZ01BG02 MZ01BY02

Metal Cabinet - Installation Manual

Important Installation Notes-Please Read First

1.Safety First:

Wear the gloves provided in the carton box to avoid any injuries. Work on a clean, flat, and stable surface to avoid scratching the cabinet or causing instability during assembly.

2.Adult Supervision Required:

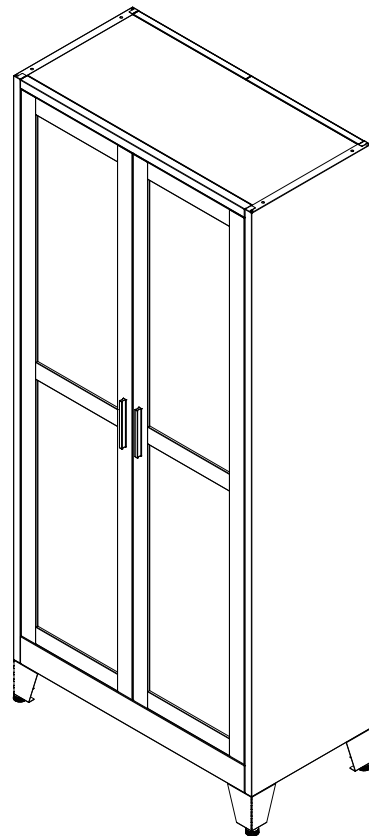
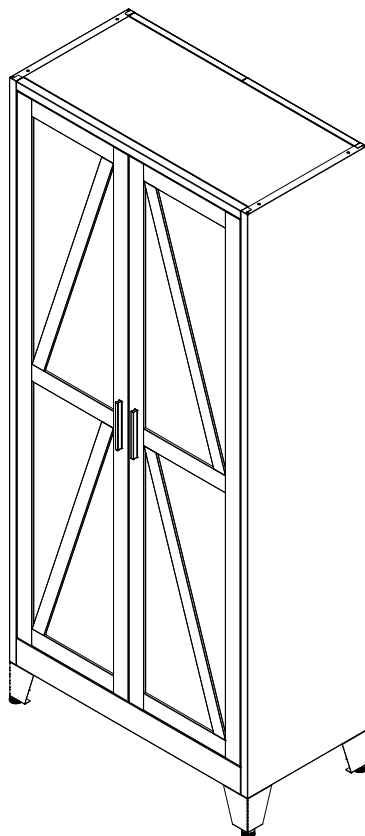
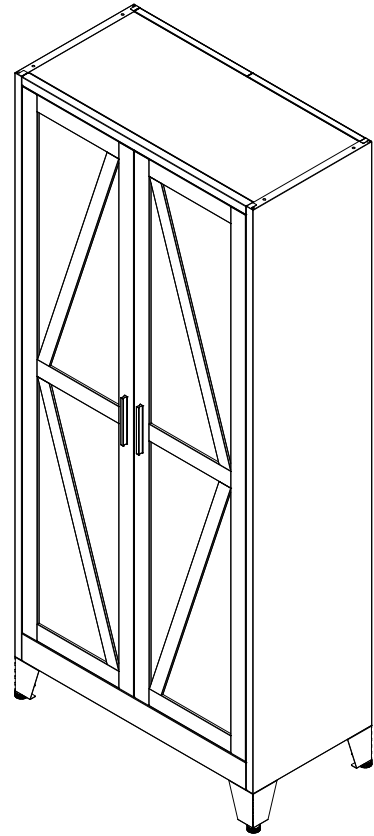
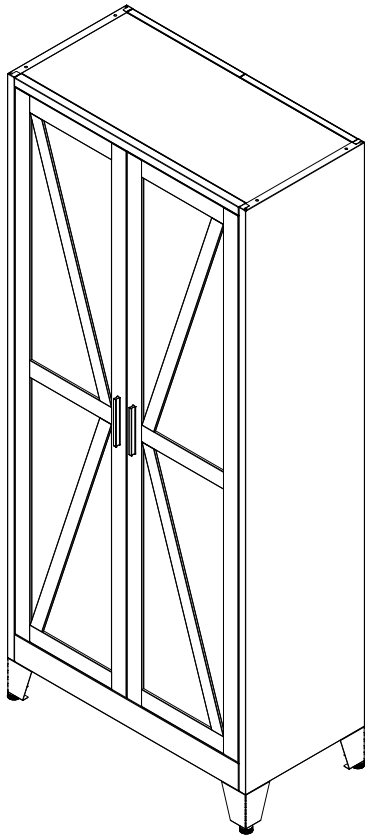
This product must be assembled by adults only. Keep small parts (screws, washers, etc.) away from children and pets to prevent choking hazards.

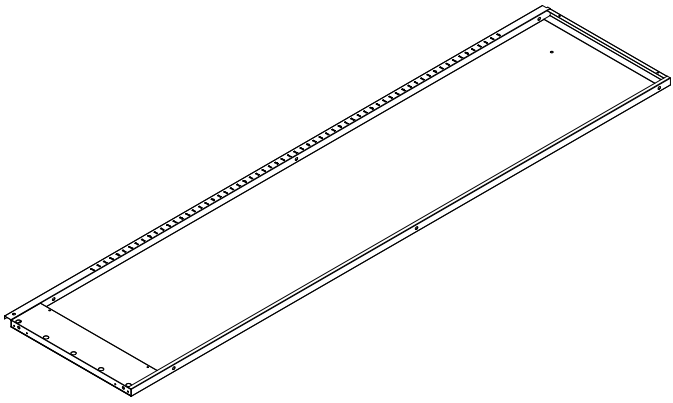
3.Parts Checklist

Before beginning, open the carton box and lay out every part against the parts list to verify that all parts needed are included in your package. If any parts are missing, damaged, or defective, contact our customer service immediately by:
sales-order-service@hotmail.com

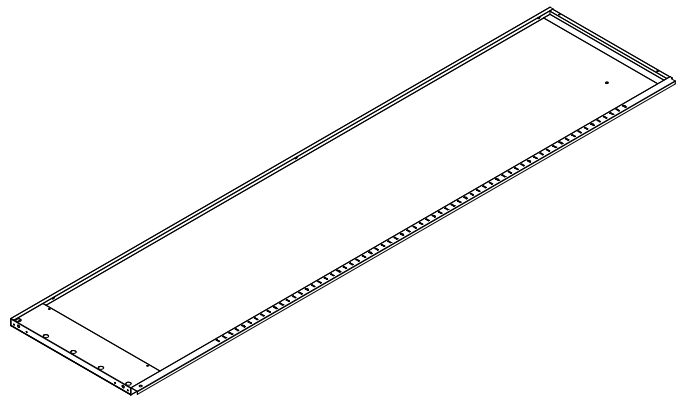
Thank you for choosing our metal storage cabinets. We' re honored it now stands in your space. May its strong, quiet shelves turn everyday clutter into calm order, giving you more room to breathe, create and enjoy. Here' s to neater days and simpler moments—every time you open the door.

The strips on the doors feature magnetic installation design. What you see when you open the package is only their factory-default layout. You can rearrange them into any of following 4 different styles to match your personal preference—simply lift, move, and let the magnets snap them into place.

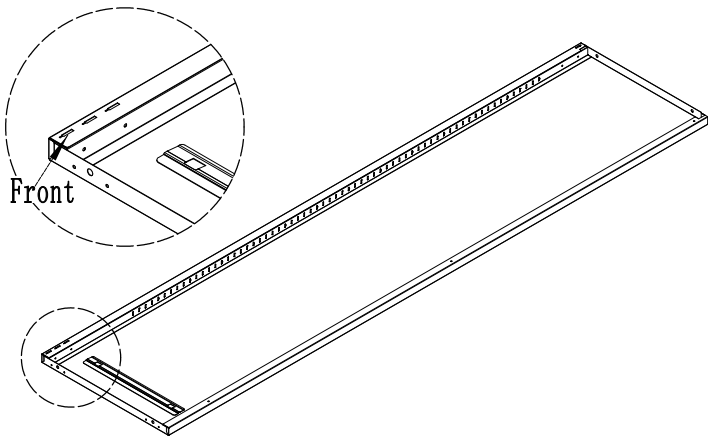




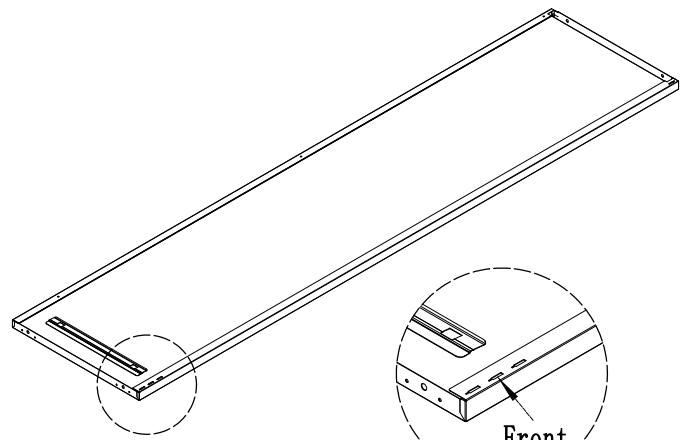
A*1



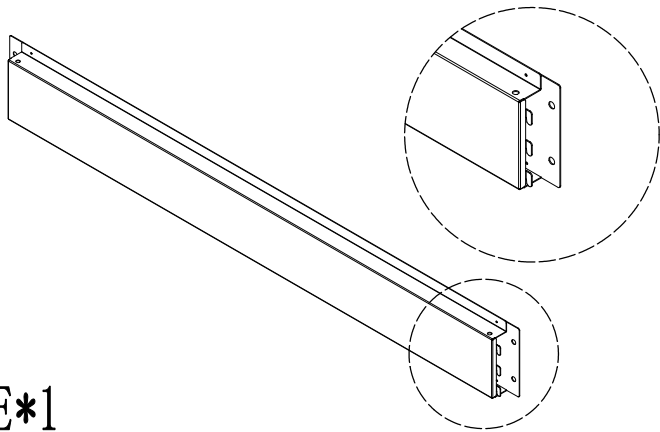
B*1



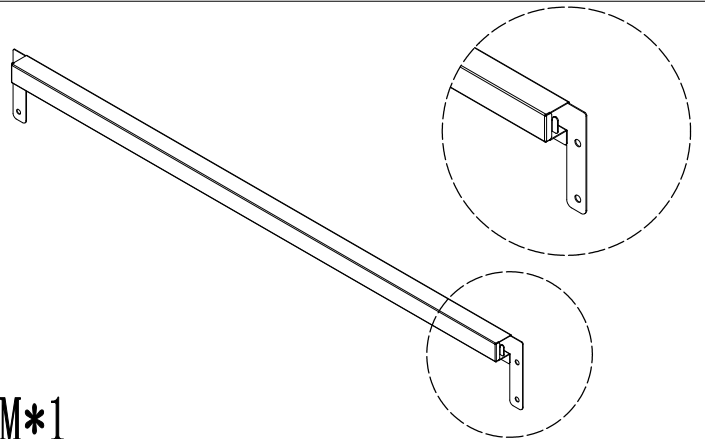
C*1



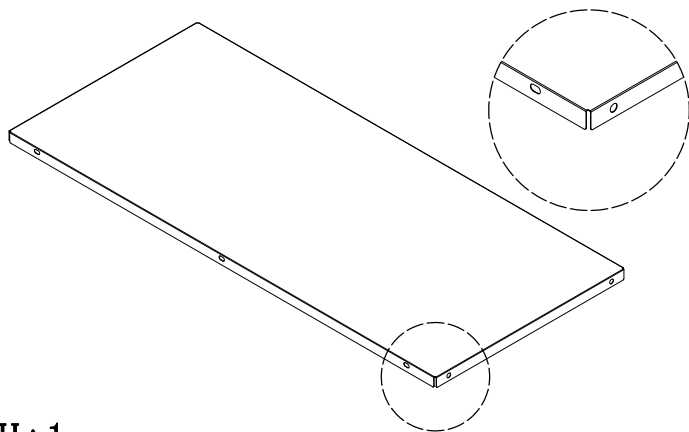
D*1



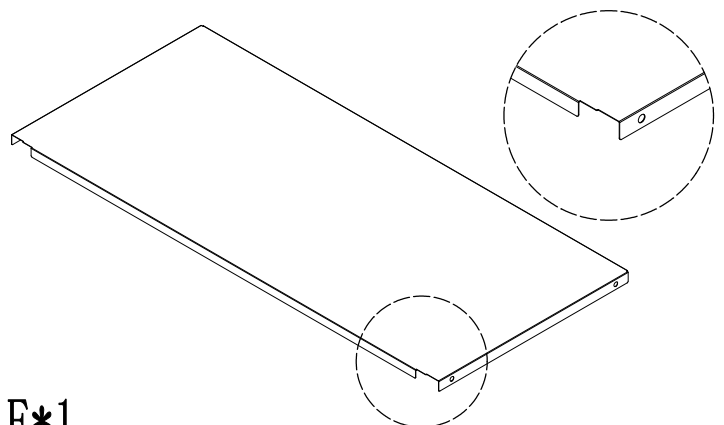
E*1



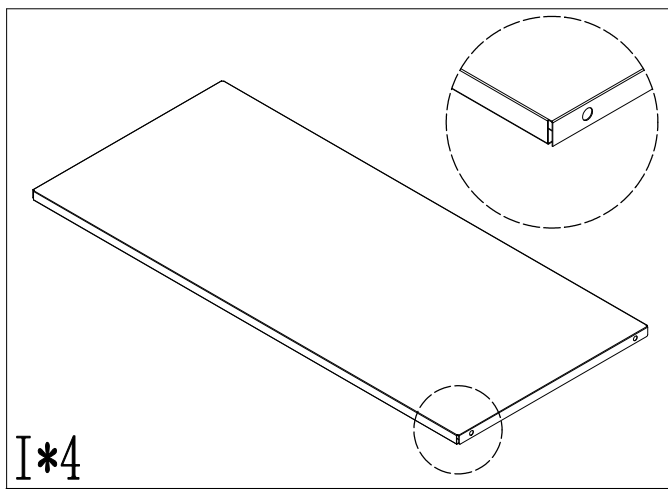
M*1



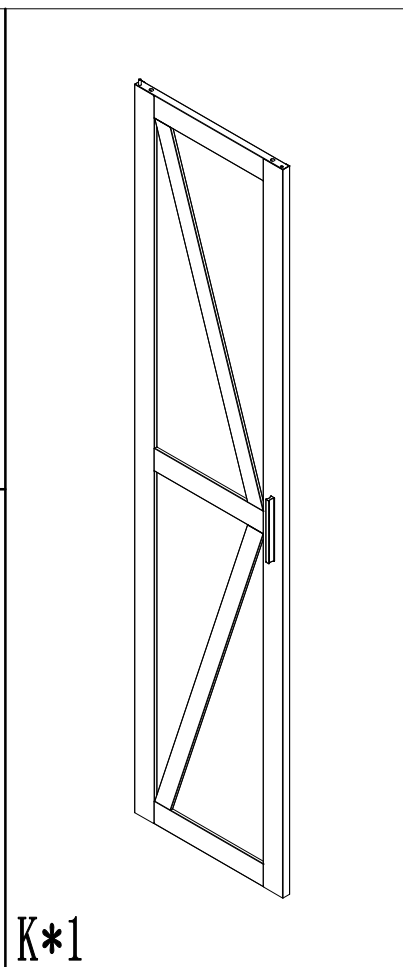
H*1



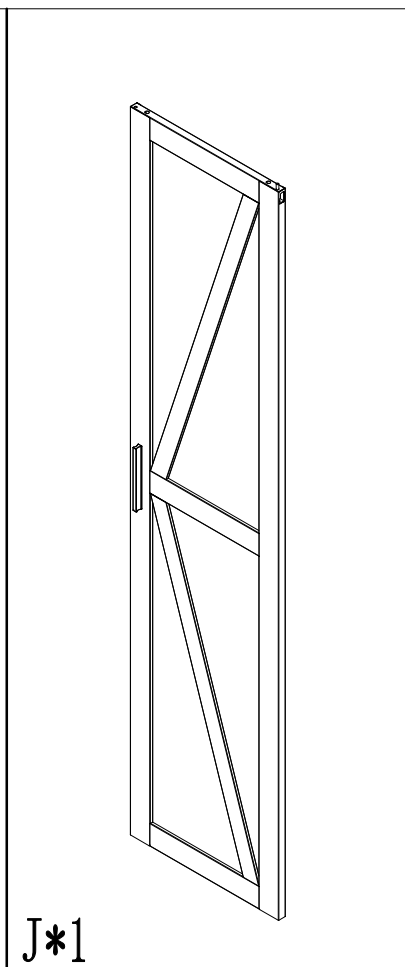
F*1



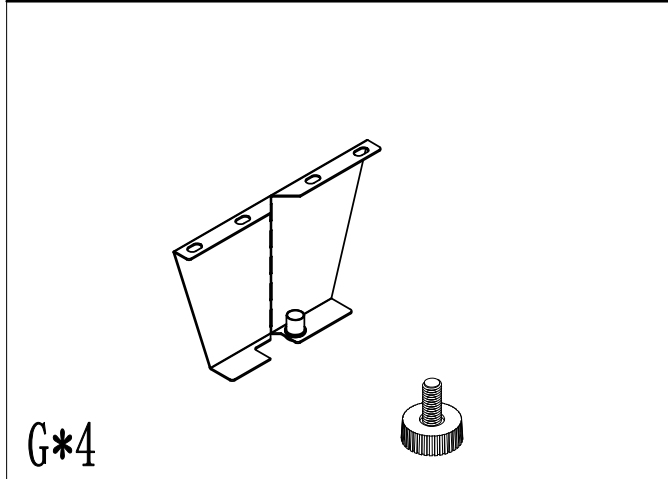
I*4



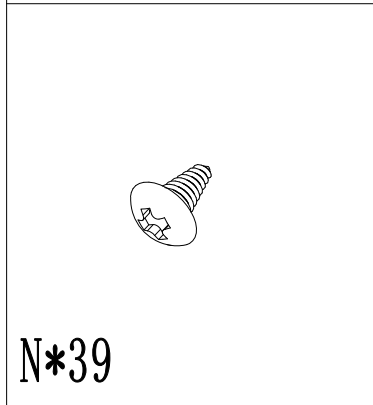
K*1



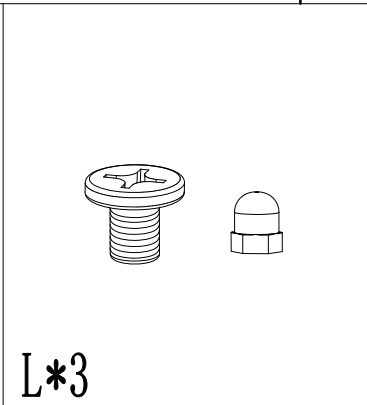
J*1



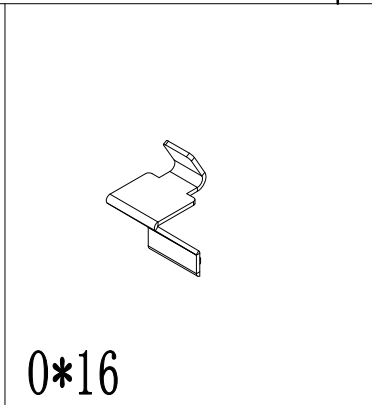
G*4



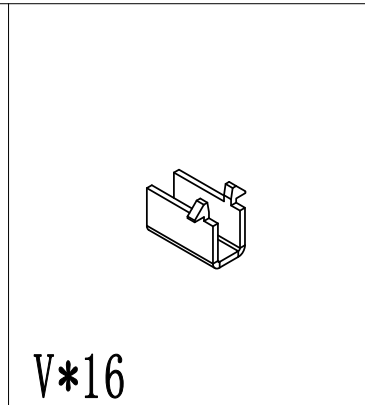
N*39



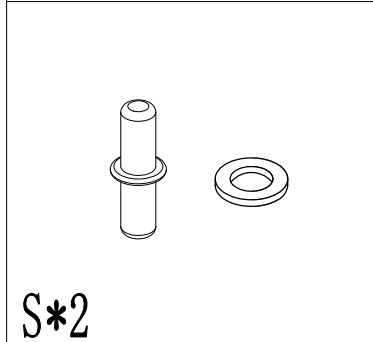
L*3



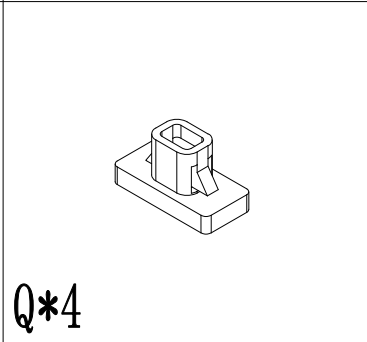
O*16



V*16



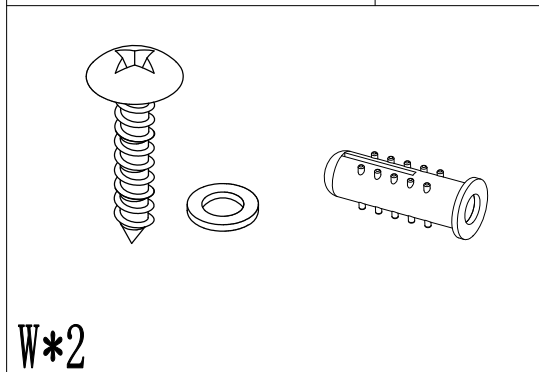
S*2



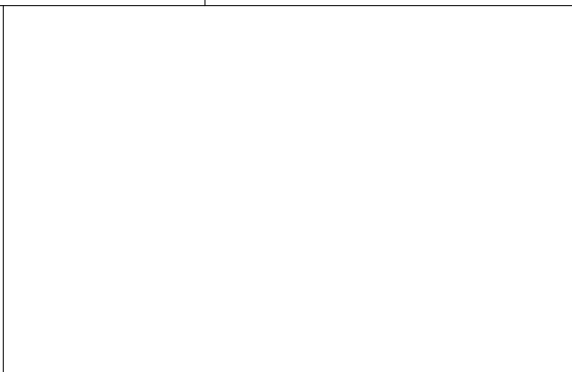
Q*4



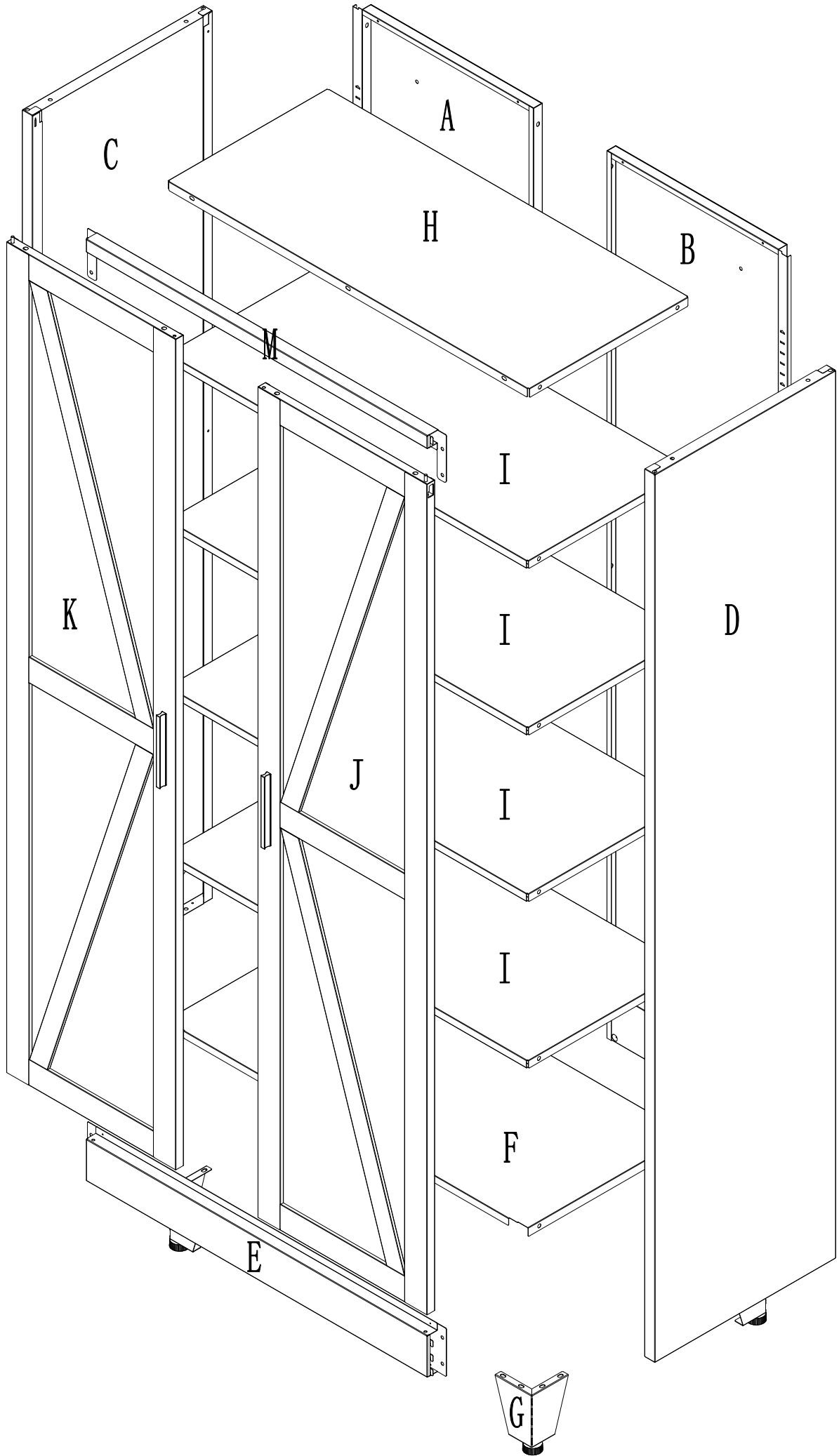
U*4



W*2



T*2

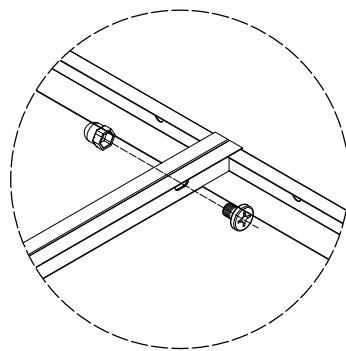
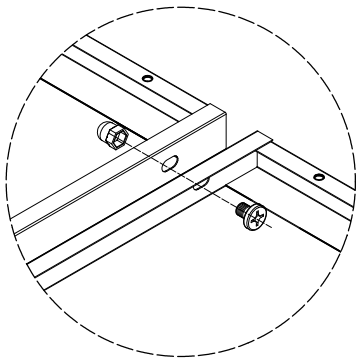
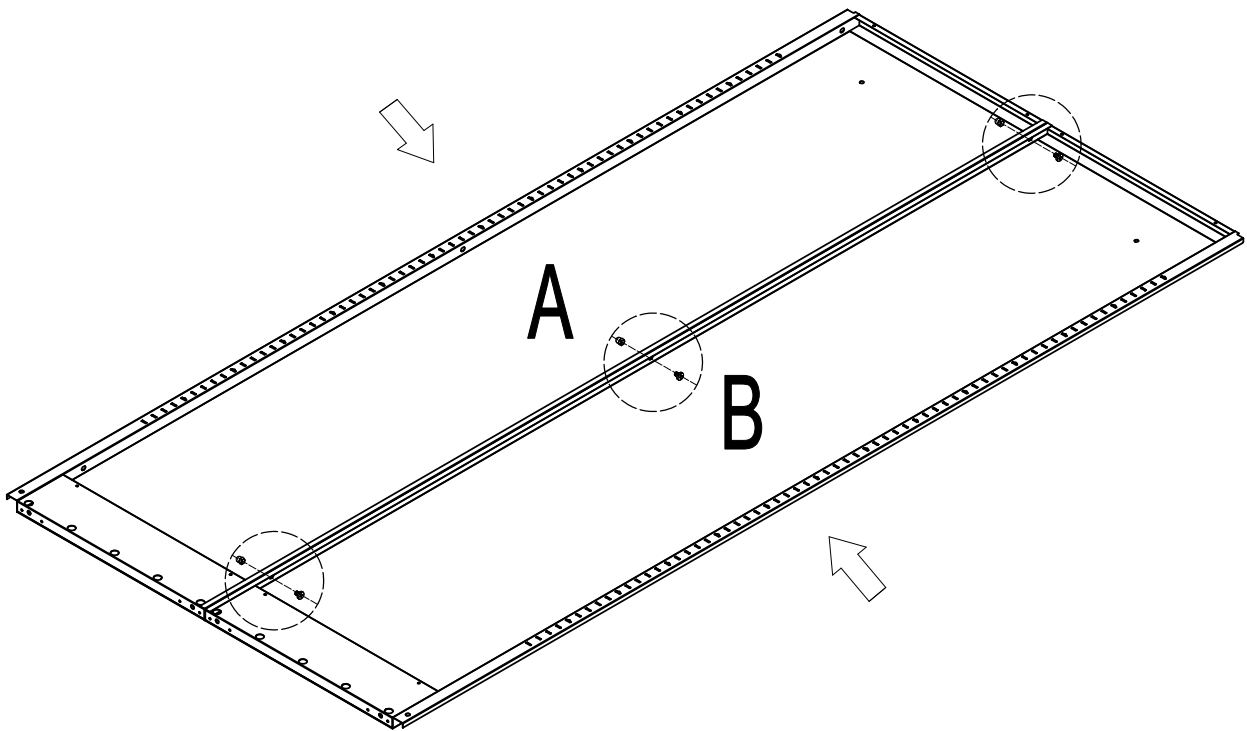


1

L*3



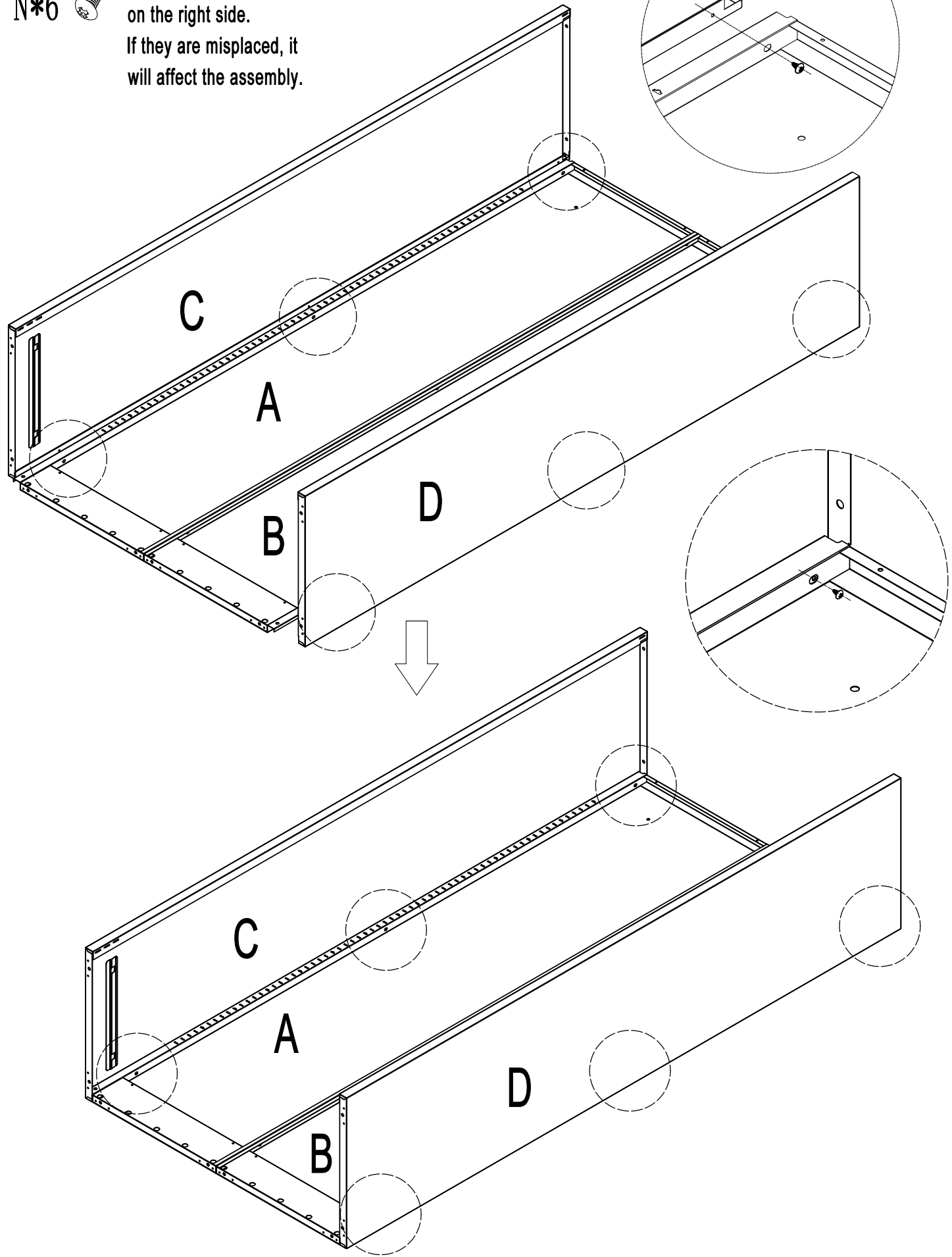
Let's start with the back of the cabinet. Take Back Panel pieces A & B
Place them on the floor
The frame with rectangular holes must be pointing upwards.
Overlap & align the holes of the interior frames, Fasten in place using
L*3 screws (like shown in the picture)



2


Simply take the side plate C&D and put N*3 screws on each side to hold them in place.
Note that Part C is on the left side and Part D is on the right side.
If they are misplaced, it will affect the assembly.

N*6 

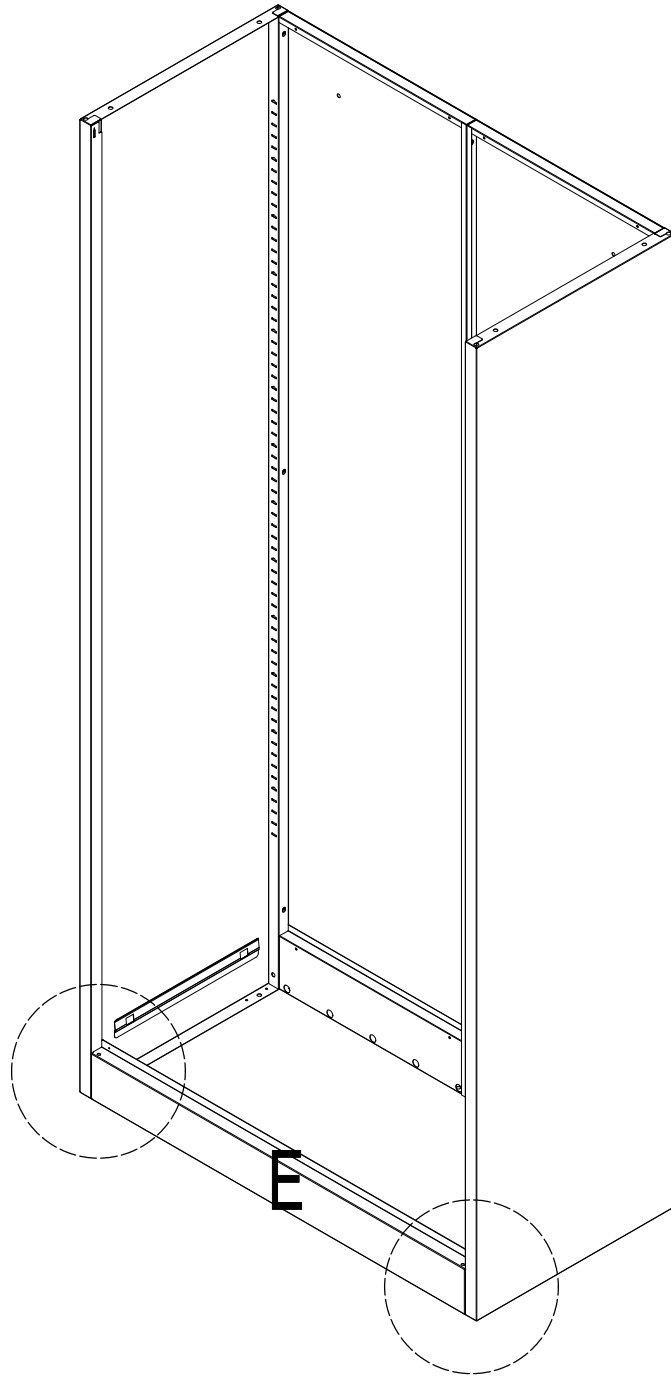
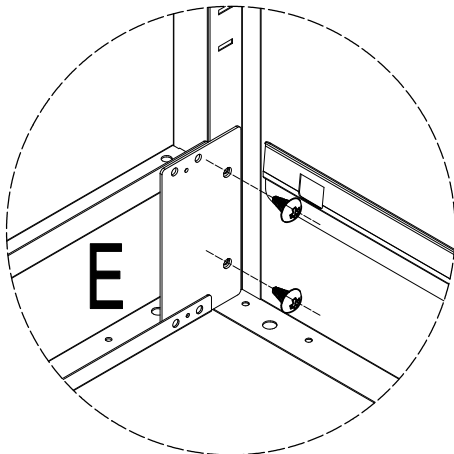
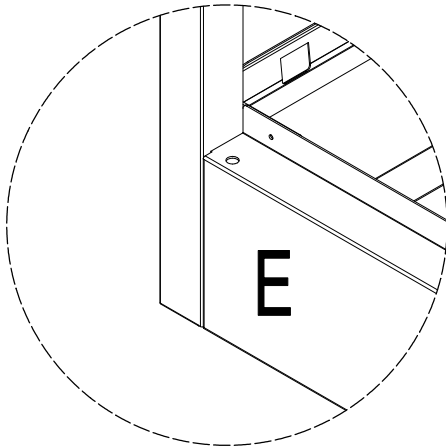
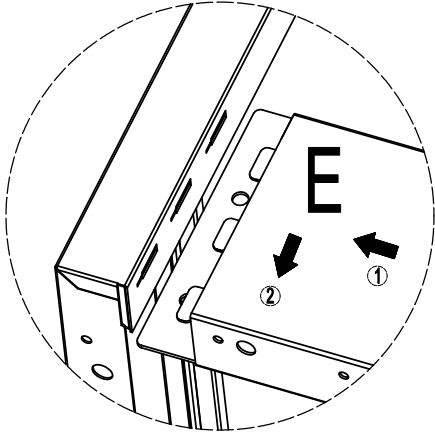


3

Snap the three buckles on either side of Part E into the three holes in both side panels and then push it down, so that it snaps into the bottom of the cabinet.


N*4 

Install the screws from inside of the bottom by using N*4.

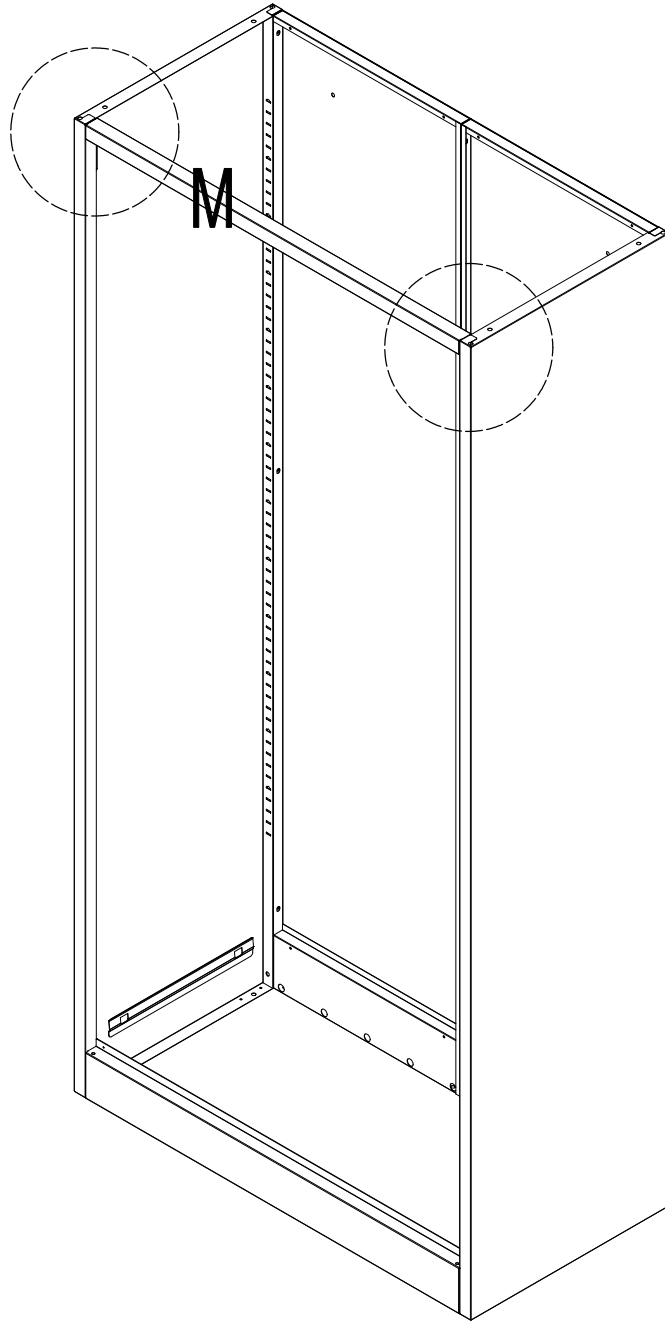
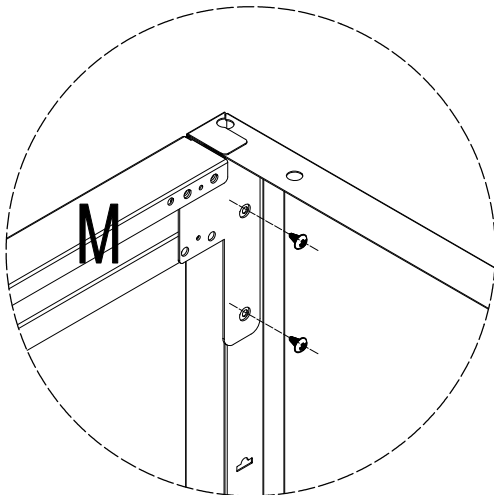
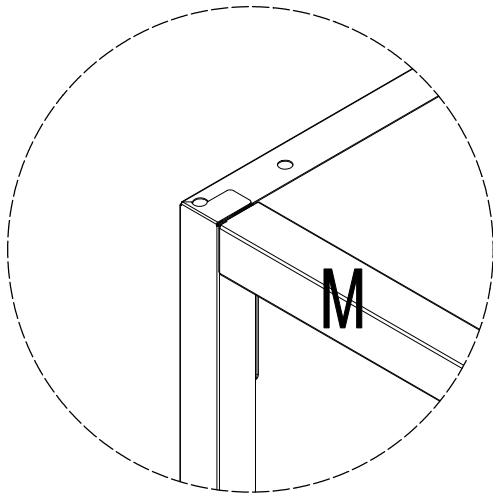
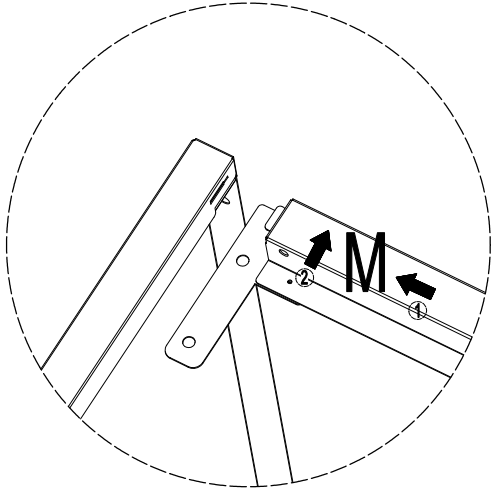


4

Snap the three buckles on either side of Part M into the one holes in both side panels and then push it up ,so that it snaps into the bottom of the cabinet.


N*4 

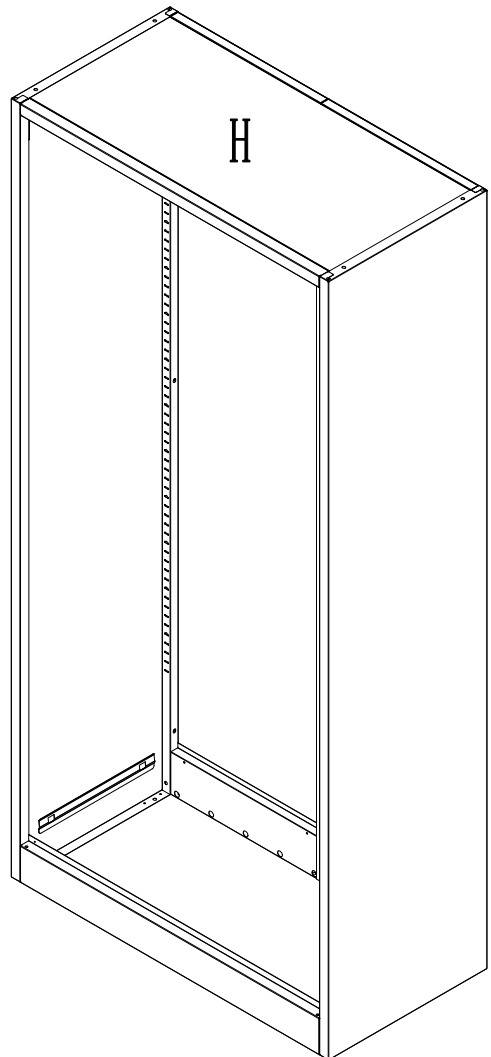
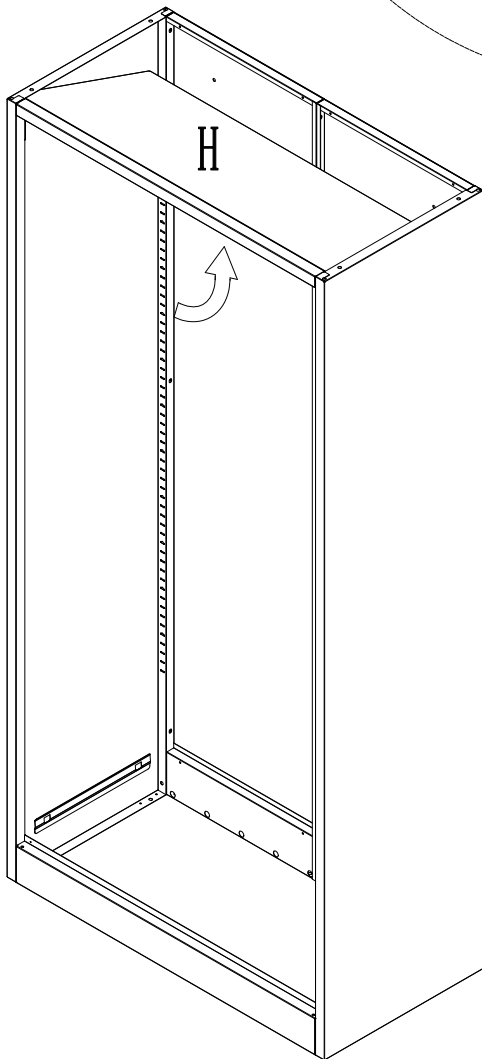
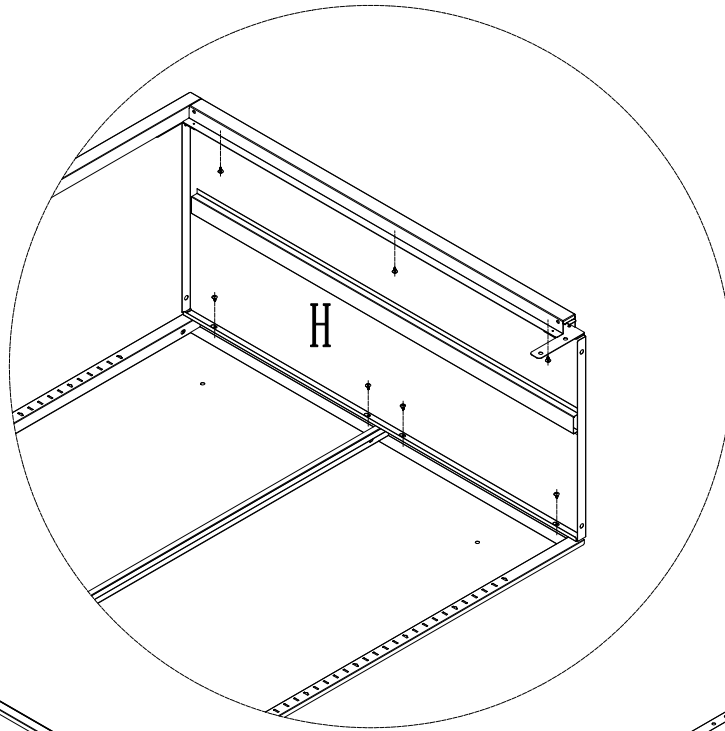
Install the screws from inside of the bottom by using N*4.



5

Take Top Frame H*1, Fasten in place using N*7 screws through the holes in each corner. Insert it through cabinet ,Push it until well fixed.

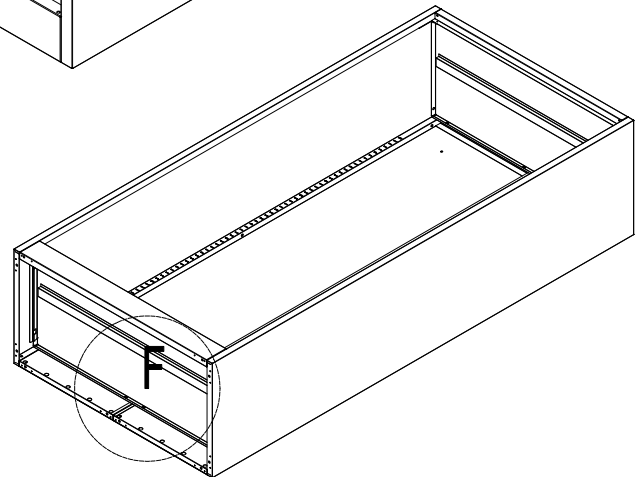
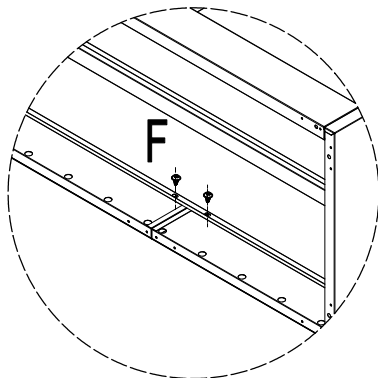
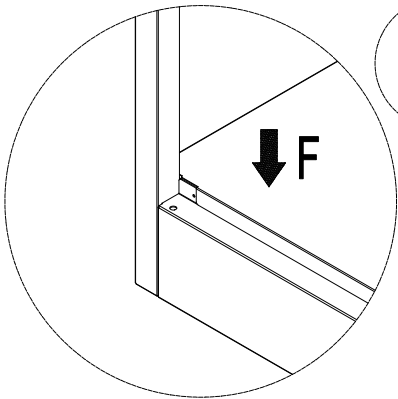
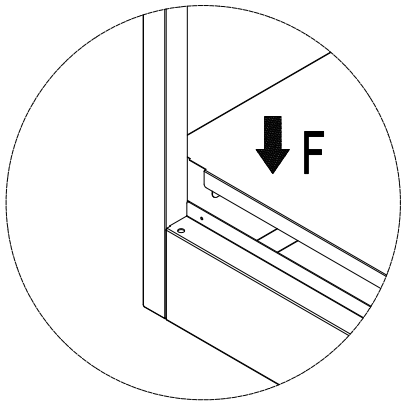
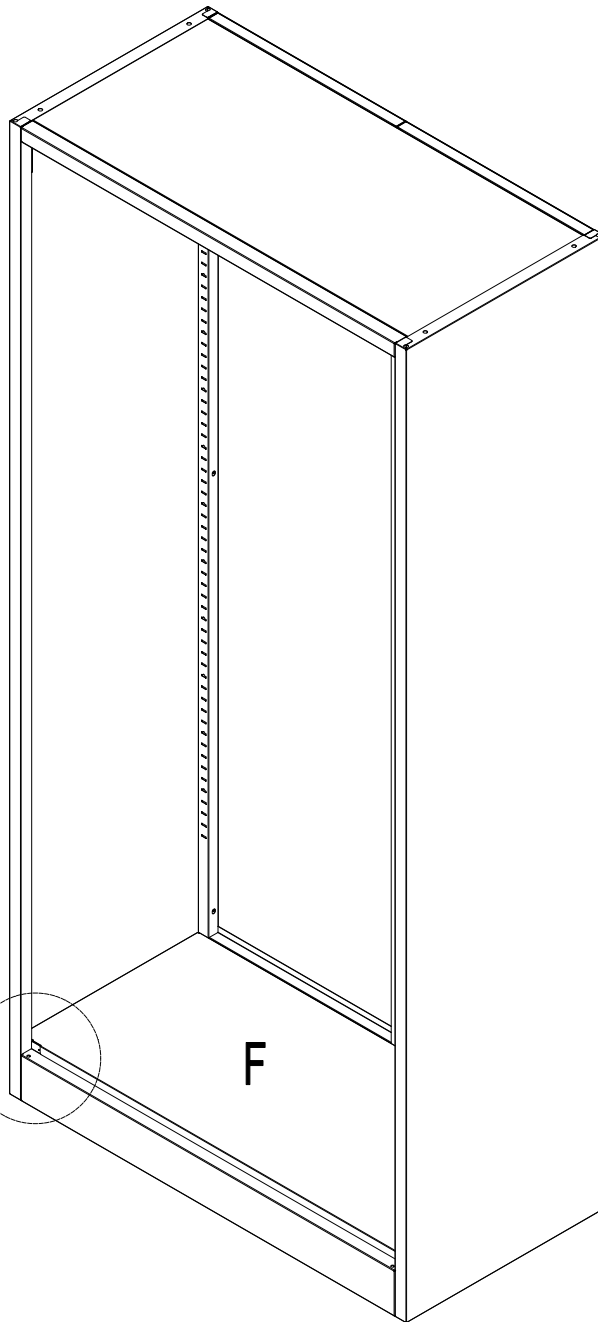
N*7 



6

When placing Part F, place the notched side facing forward.
Install the set screws from middle of the bottom by using N*2.

N*2 

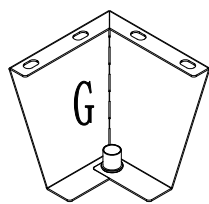
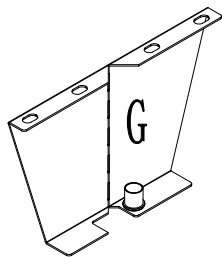
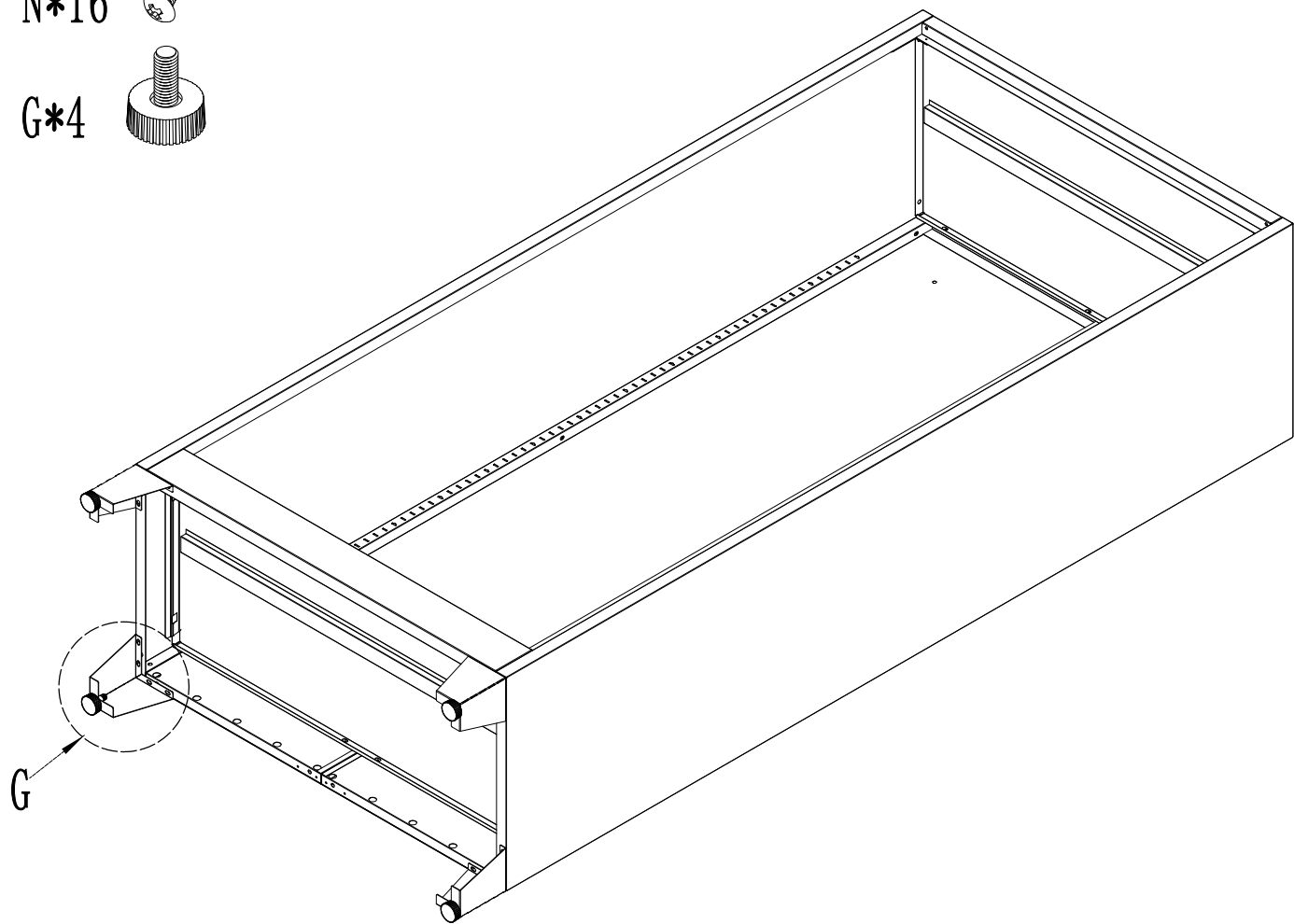
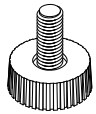


7

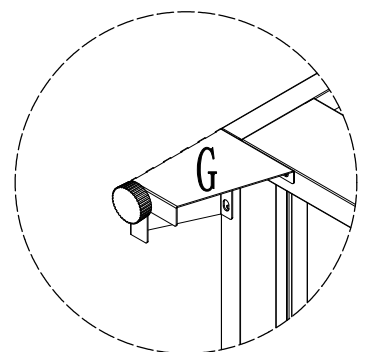
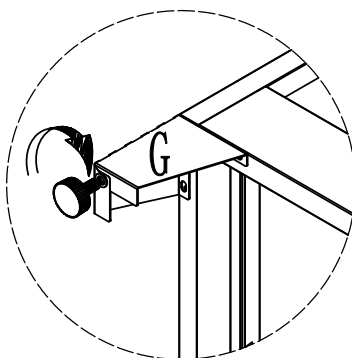
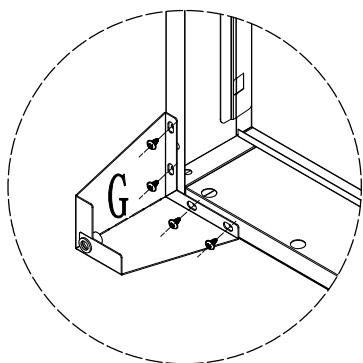
N*16



G*4



Bend the Part G, install the 4 legs by using G*4 and N*16

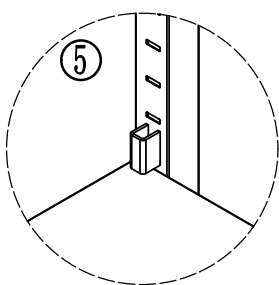
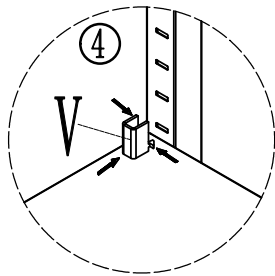
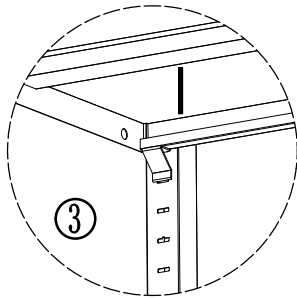
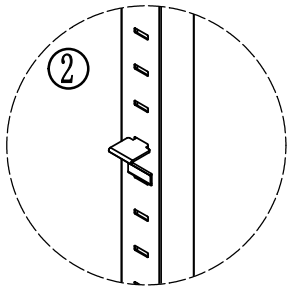
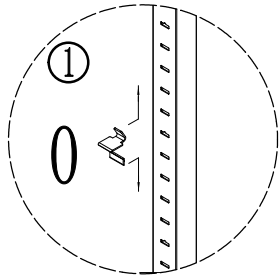


8

O*16



V*16

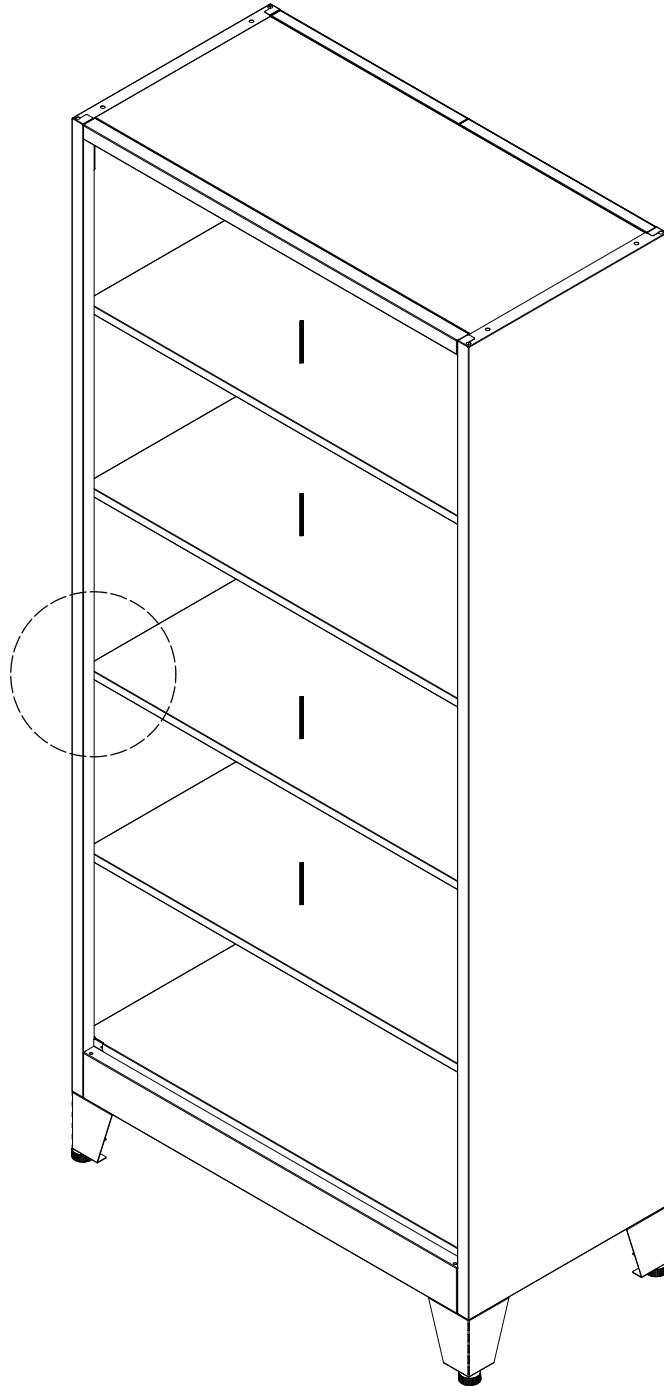


Choose where you want to mount the first shelf .

Insert O*16 holders in the frame' s holes, 1 for each corner.

Then simply put the l*4 shelf where you needed.

Last, install the plastic grid V*16 on the top of the shelf to make sure shelf securely.



9

Take S*2 bolt screws & insert a metal ring on it.

Insert the bolt in the bottom frame's hole (like shown in the picture below).

Take door K1 & J1.

S*2 

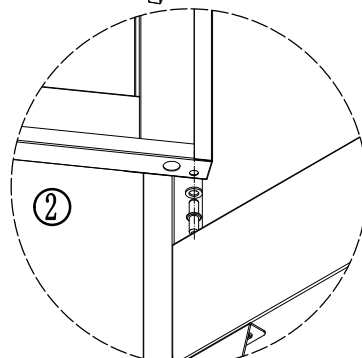
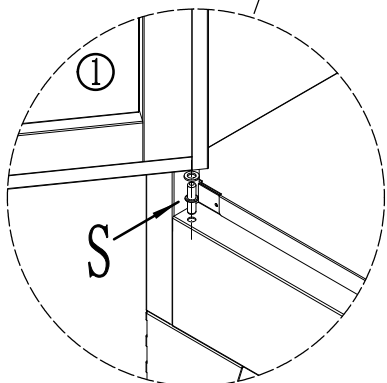
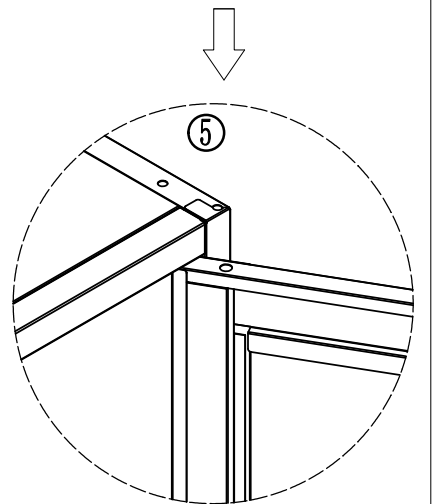
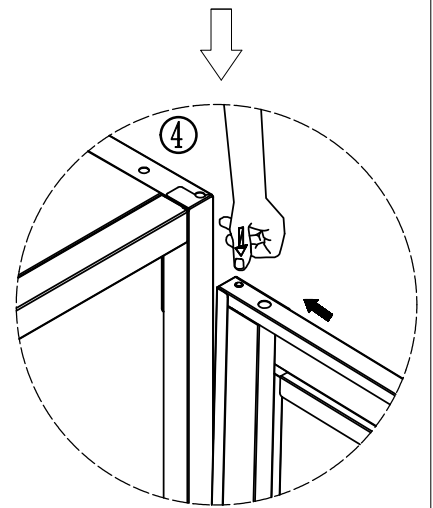
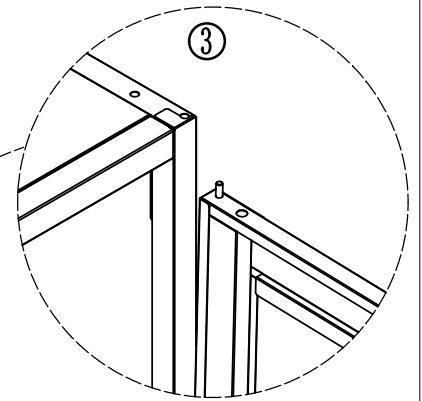
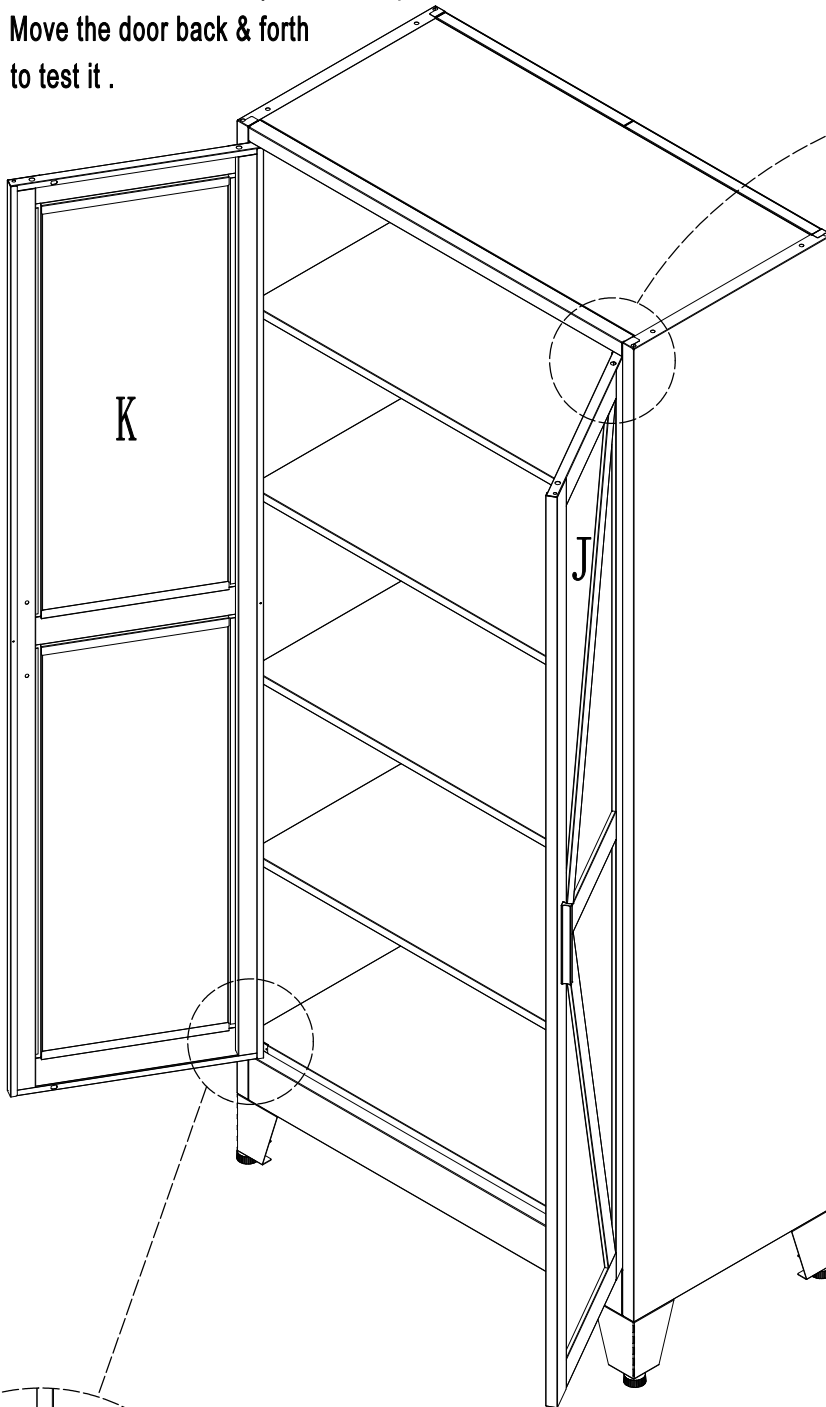
Place the door with the bottom hole in the bolt.

Press the arch at top of the door to fix the door in the upper frame.

Make sure it is securely fastened up and down .

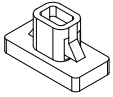
Move the door back & forth

to test it .



10

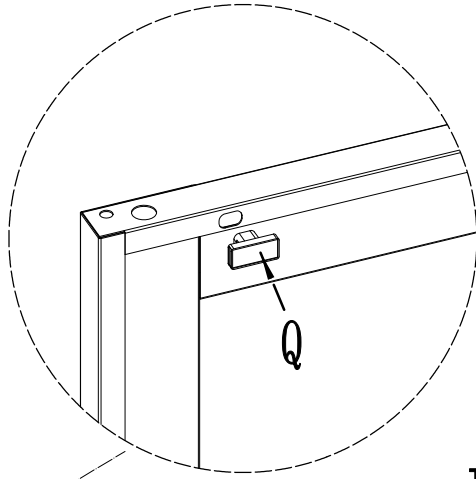
Q*4



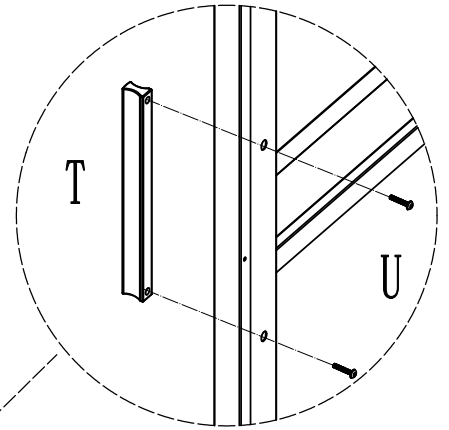
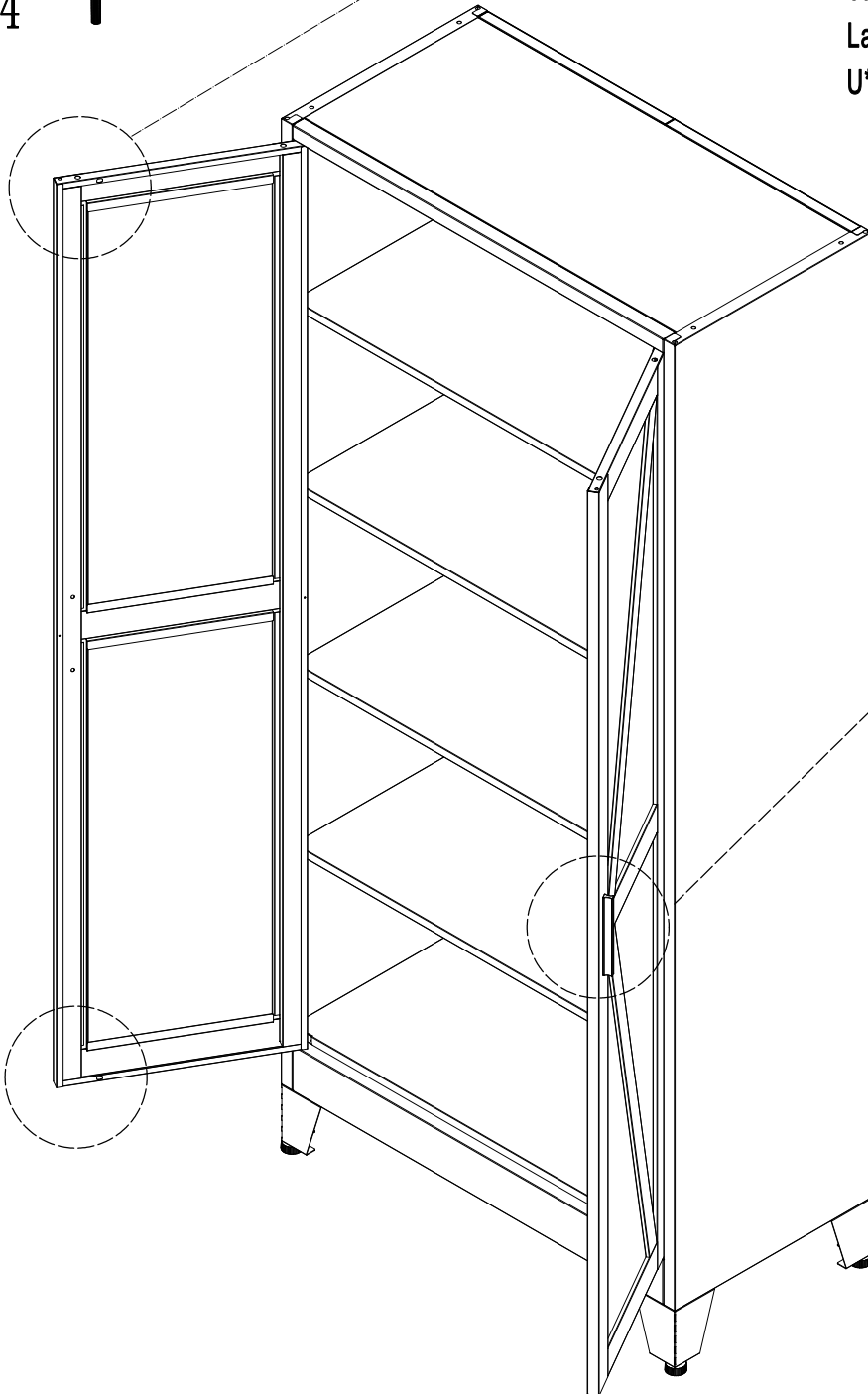
T*2



U*4

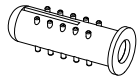


Take Q *4 magnetic pieces,install 4*Q at each corner of the door.
Last,Install the door handle T*2 by using U*4.

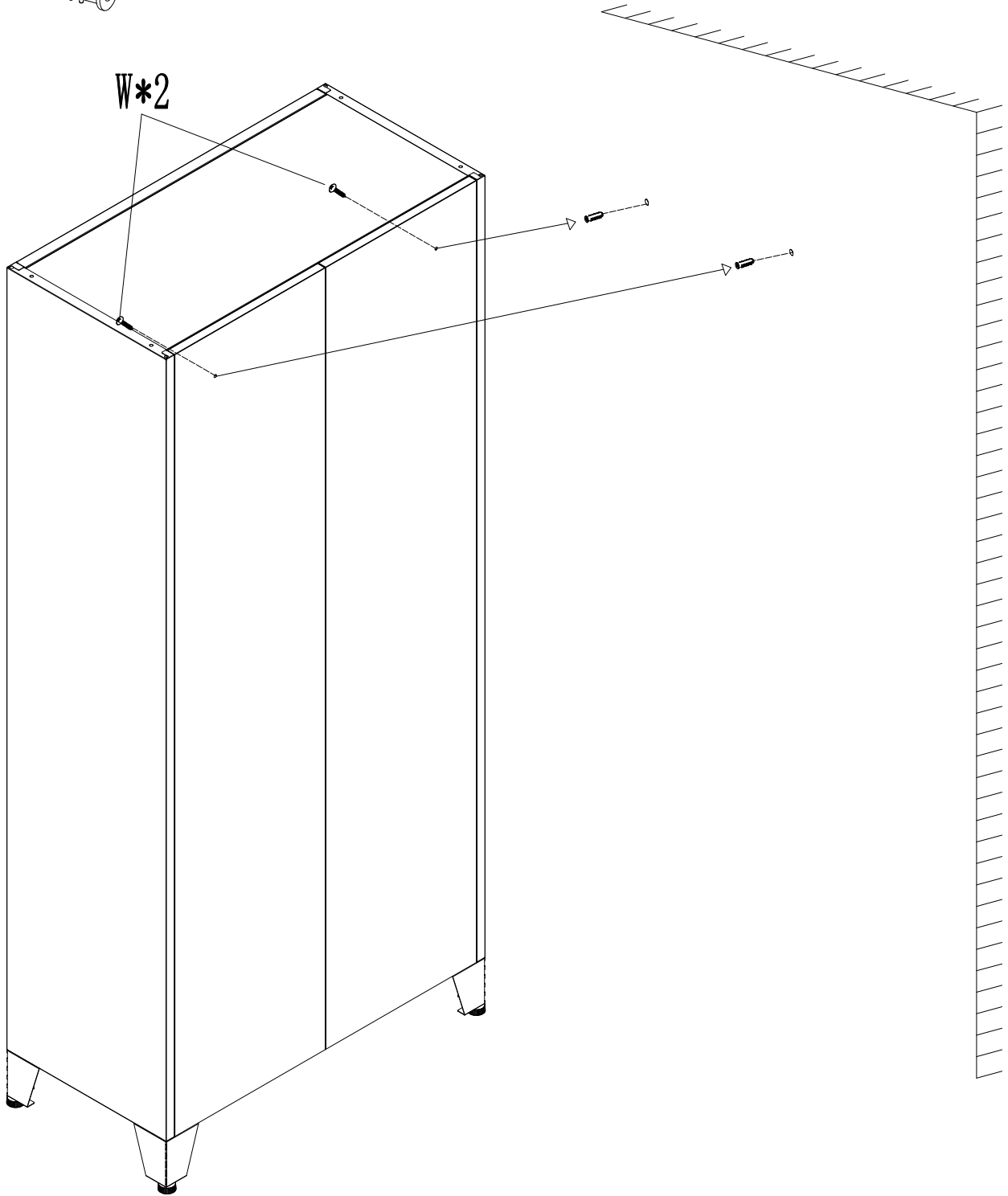


11

W*2

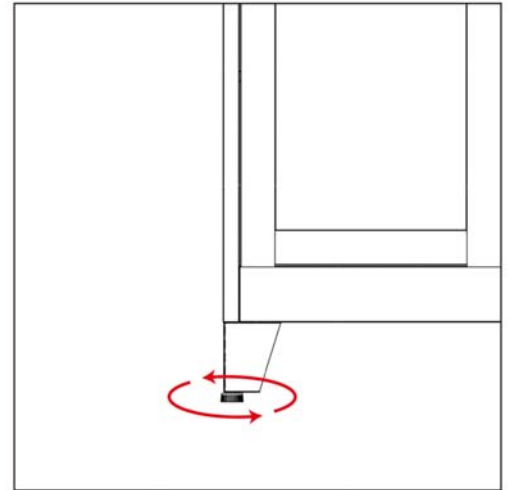
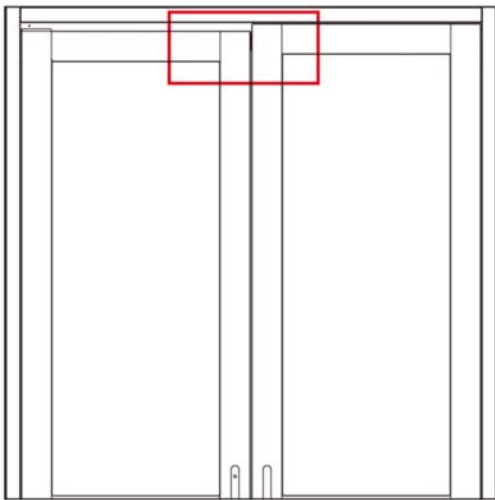


Push the metal cabinet against the wall. Mark the places on the wall there you are going to drill. Take the Percussion Drill. Drill holes in the marked places. Take wall plugs W*2 insert in the drilled holes using a hammer.



Problems and Solutions

Question 1: when encountering uneven height of two door panels, adjust the bottom adjustment foot to make it flat.



Question 2: When the door is closed, it still protrudes outward.

That's because the door is made of steel plate and has stretchability. You can adjust it according to the method shown in the picture.

