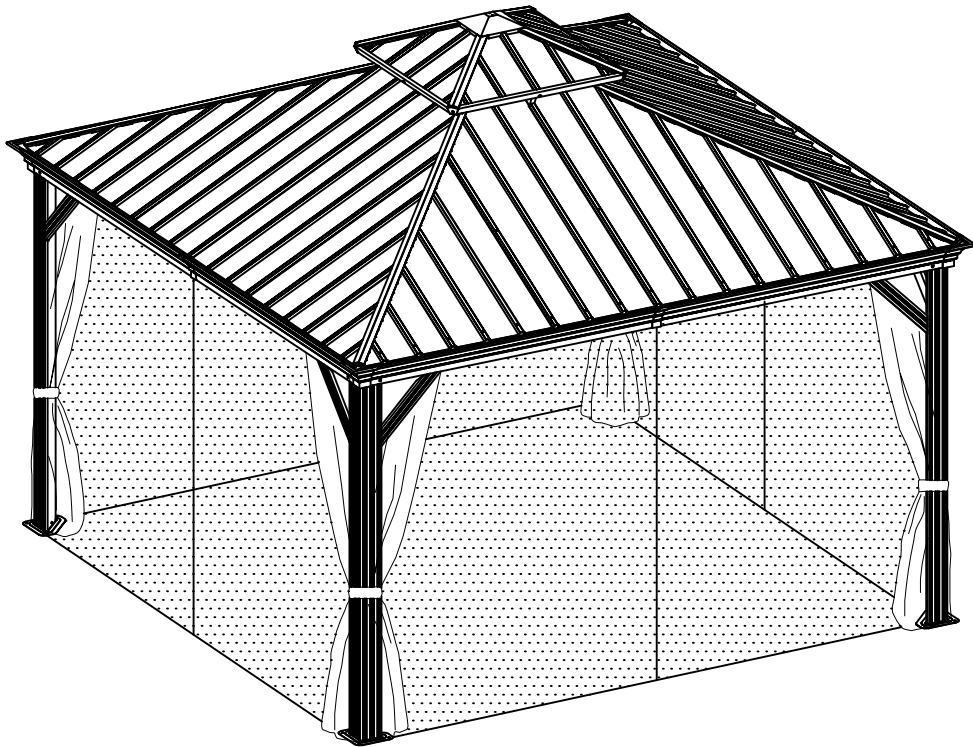


12 x 12FT

▣ ▣ ▣ ▣ ▣ ▣ ▣ XWG-255TN-1 ▣ ▣ ▣ ▣ ▣ ▣ ▣





(A) 4x



(B1) 4x



(B2) 4x



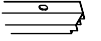
(E) 4x



(E1) 4x



(C1) 4x



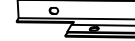
(C2) 4x



(E5) 4x



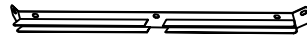
(D1) 4x



(D2) 4x



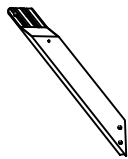
(F1) 8x



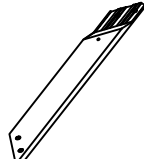
(I1) 4x



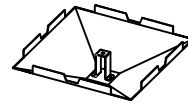
(G1) 4x



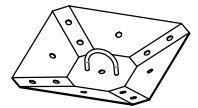
(H) 4x



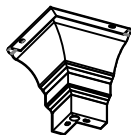
(H1) 4x



(M1) 1x



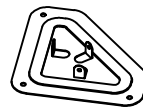
(L1) 1x



(K) 4x



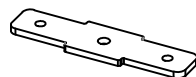
(K1) 4x



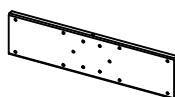
(J) 4x



(W) 4x



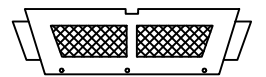
(W1) 4x



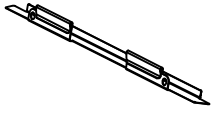
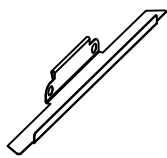
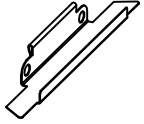




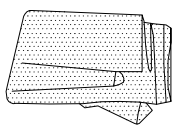

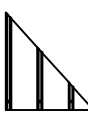




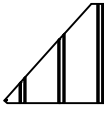
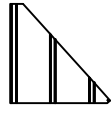
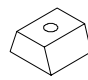












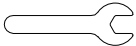

(P) 4x



(V) 4x



(V1a) 2x + (V1b) 2x

 Z 64x	 Z1 8x	 Z2 8x	 N 8x
 W3 8x	 W4 8x	 T 4x	 T1 4x
 R1 4x	 R2 4x	 R3 4x	 R4 4x
 R5 4x	 R6 4x	 S1 4x	 S2 4x
 Y 80x	 U 112x		 M6x15 1 241x
 M6x23 2 64x	 M6x25 3 4x	 ST 4.8x12 4 24x	 M6x42 6 4x
 M6x47 7 8x	 8 16x	 M6x10 9 8x	 10 12x
 4mm 12 2x	 6mm 13 1x	 14 1x	 M5x15 15 40x

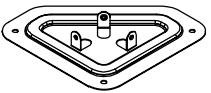
<1>

A 4x



M6x15

1 12x



J 4x



W3 8x

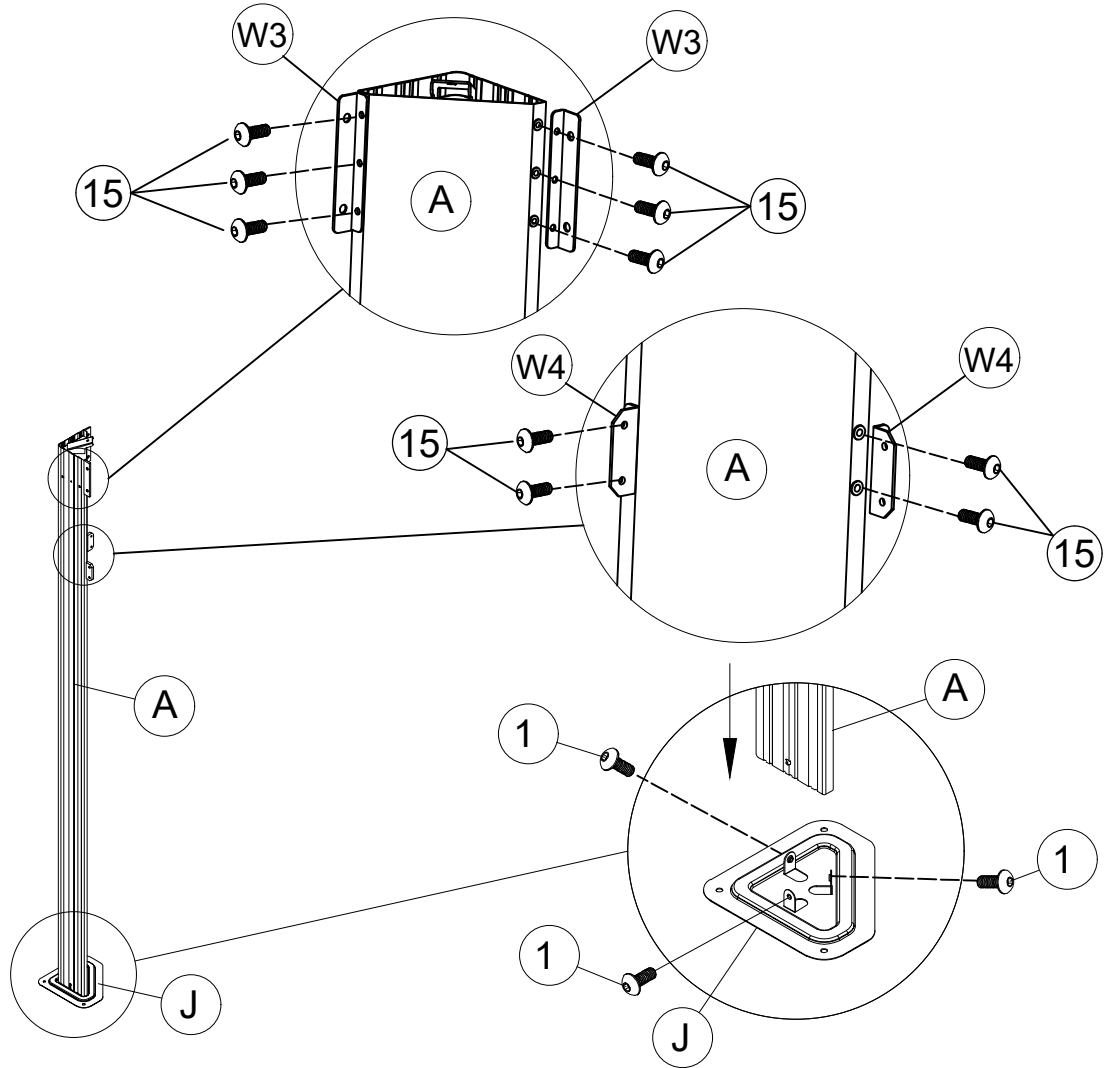


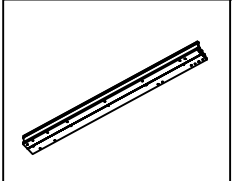
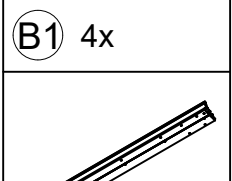
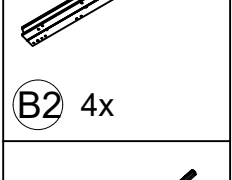
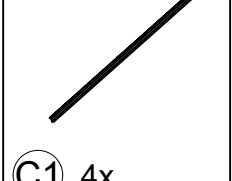
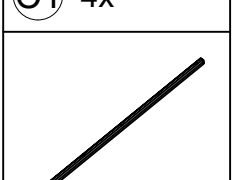
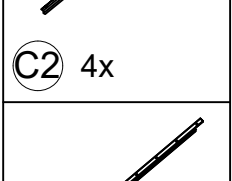
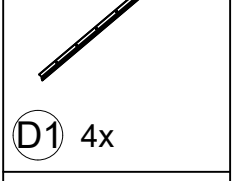

W4 8x



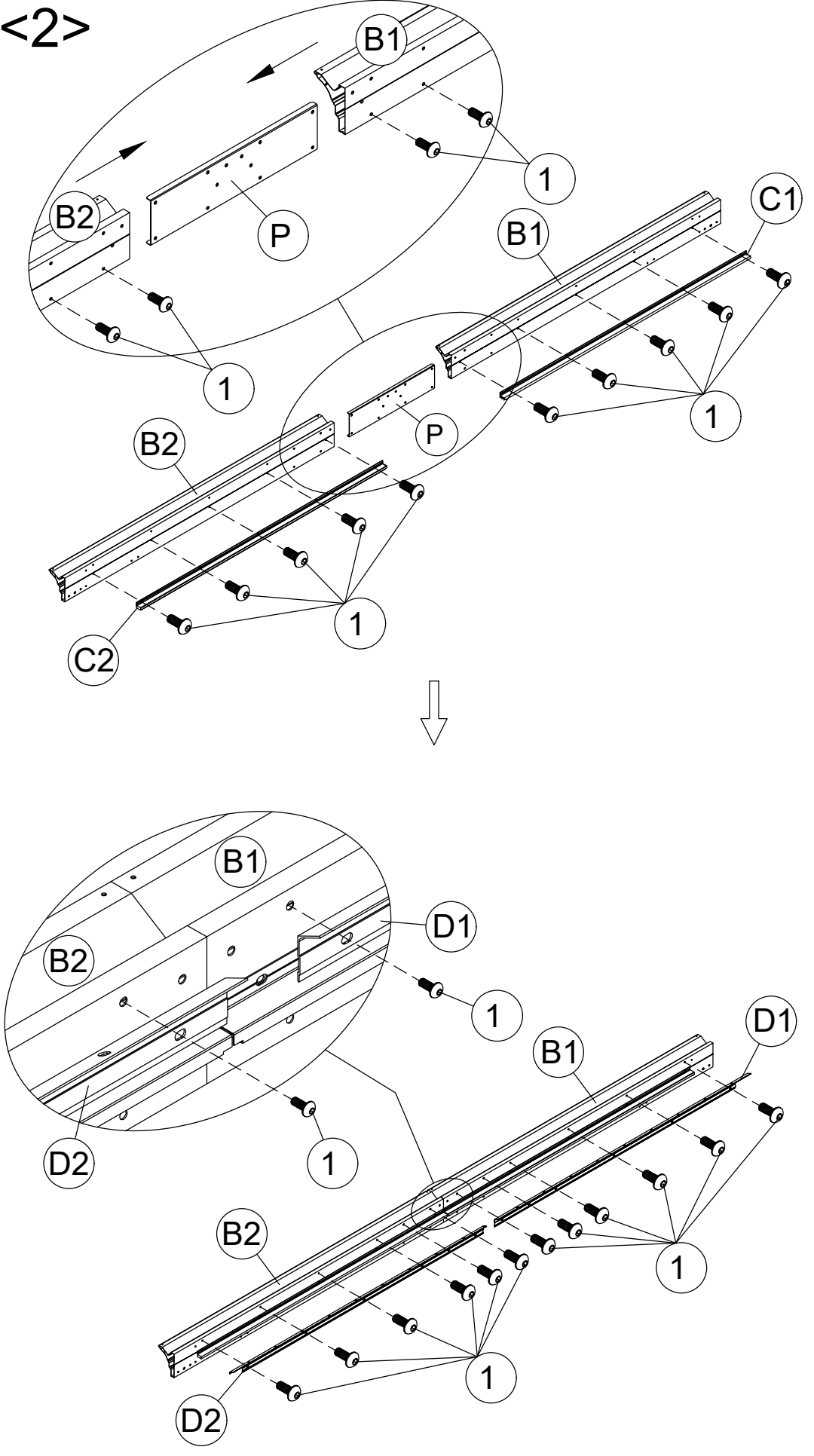
M5x15

15 40x



-  **B1** 4x
-  **B2** 4x
-  **C1** 4x
-  **C2** 4x
-  **D1** 4x
-  **D2** 4x
-  **P** 4x
-  **1** 104x
M6x15
- 5**

<2>





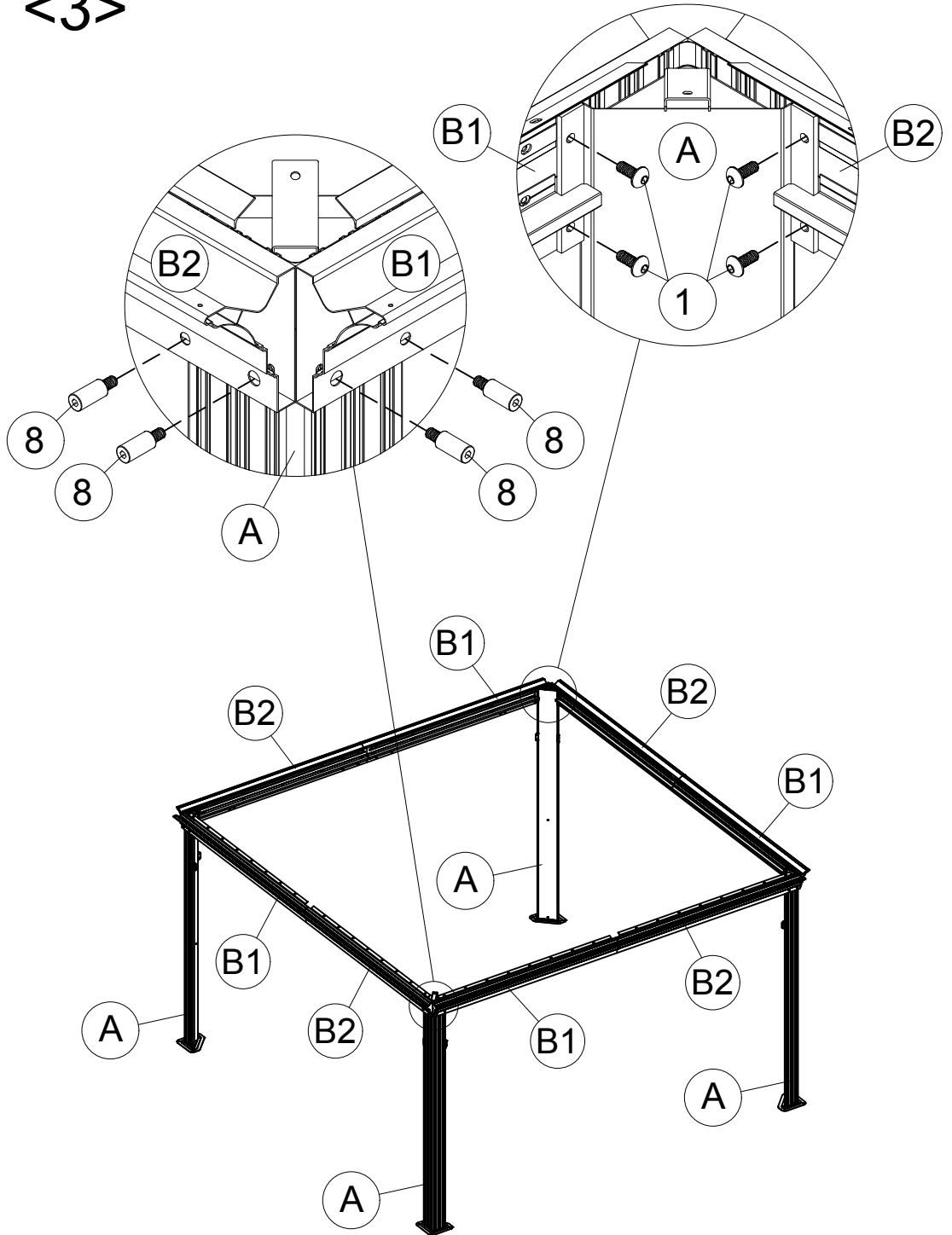
M6x15

1 16x

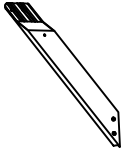


8 16x

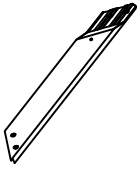
<3>



6



(H) 4x



(H1) 4x



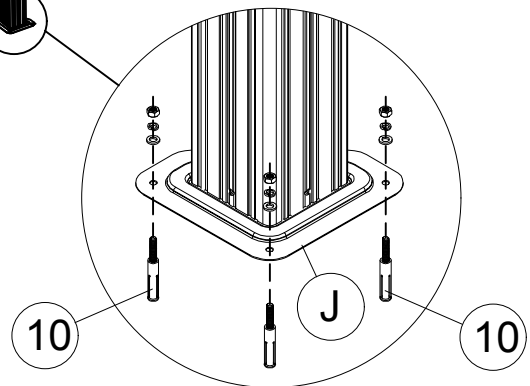
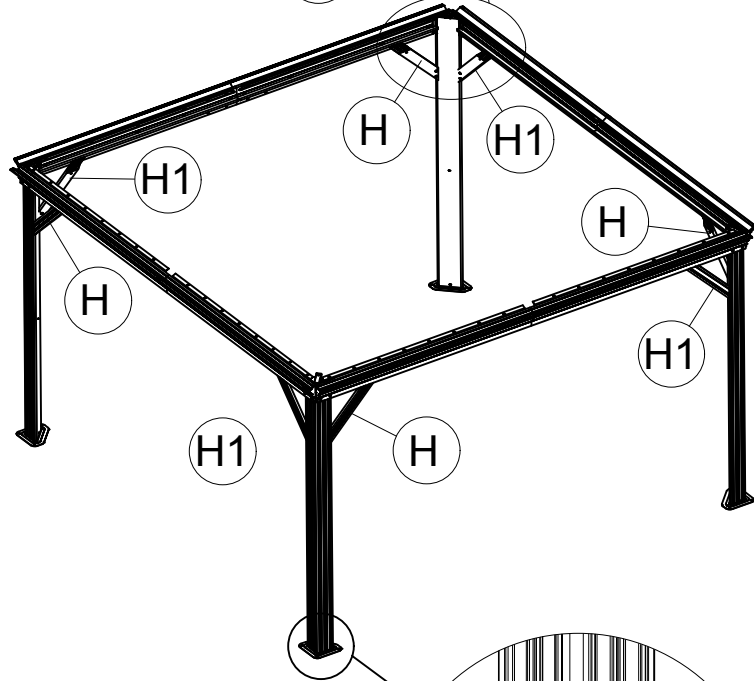
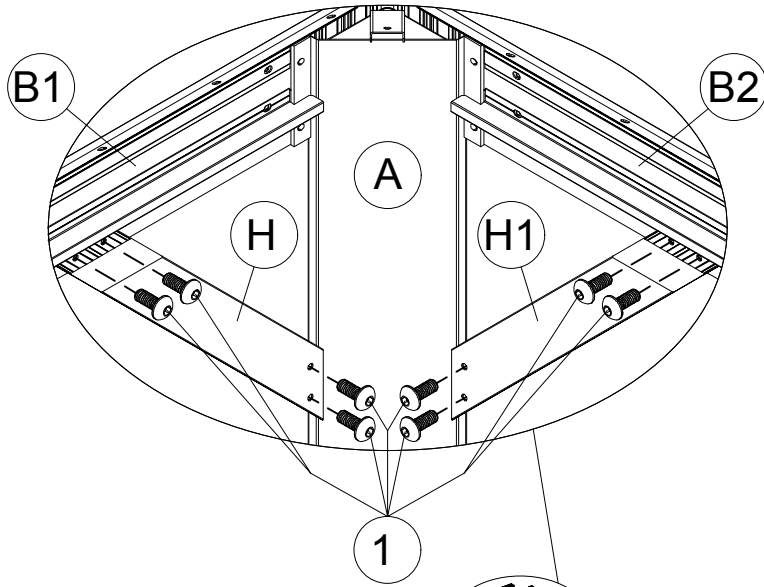
M6x15

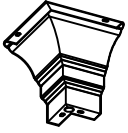
(1) 32x



(10) 12x

<4>





K 4x



K1 4x



U 112x



V 4x



M6x15

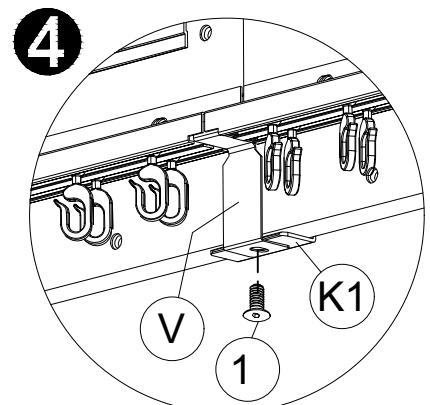
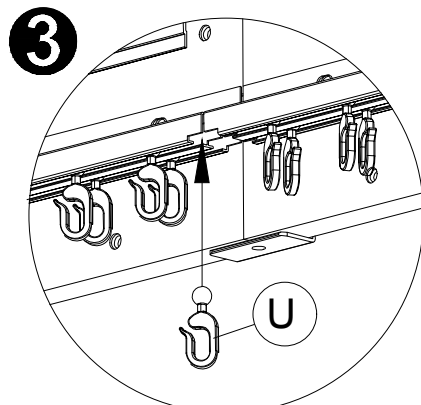
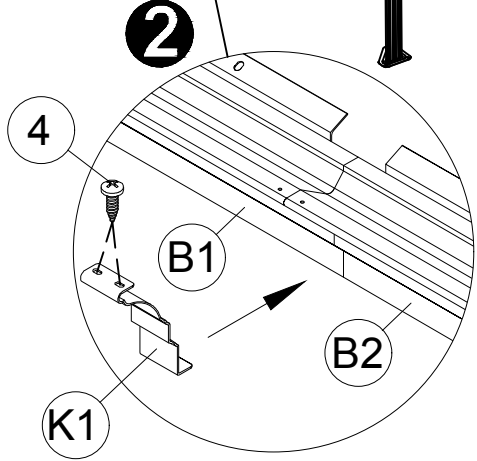
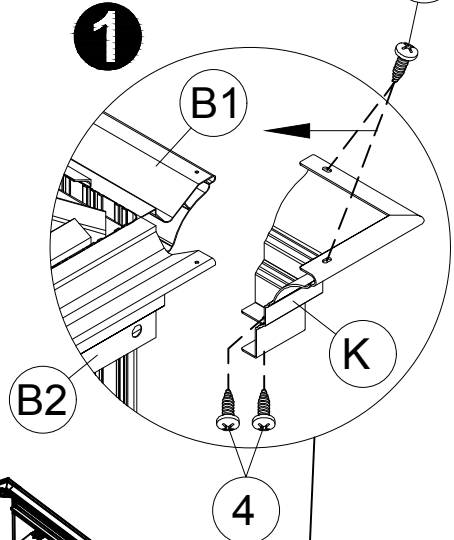
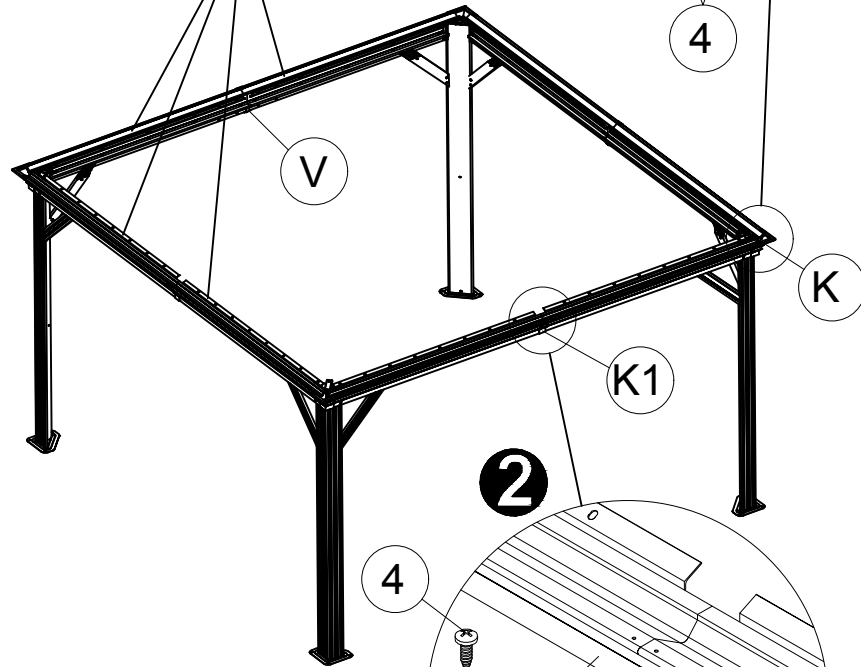
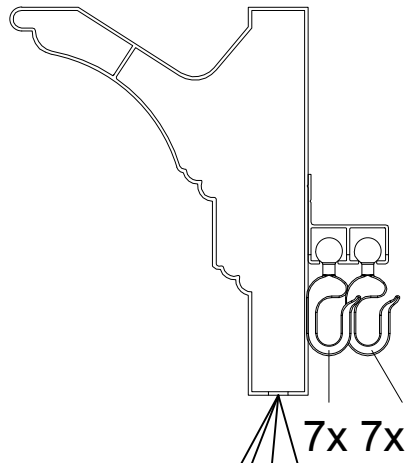
1 4x



ST 4.8x12

4 24x

<5>

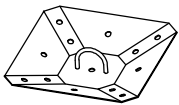




E 4x



E5 4x



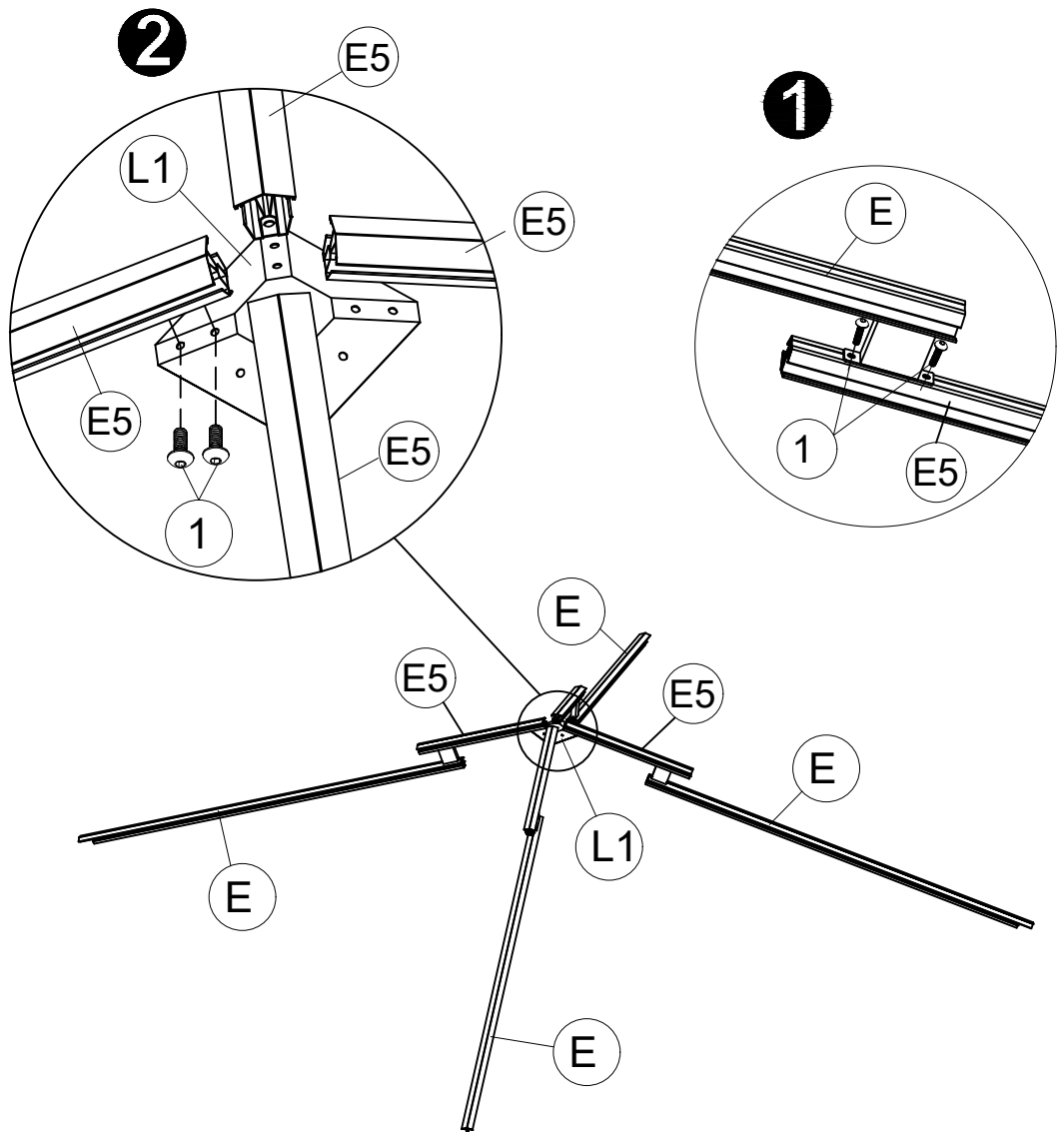
L1 1x



M6x15

1 16x

<6>

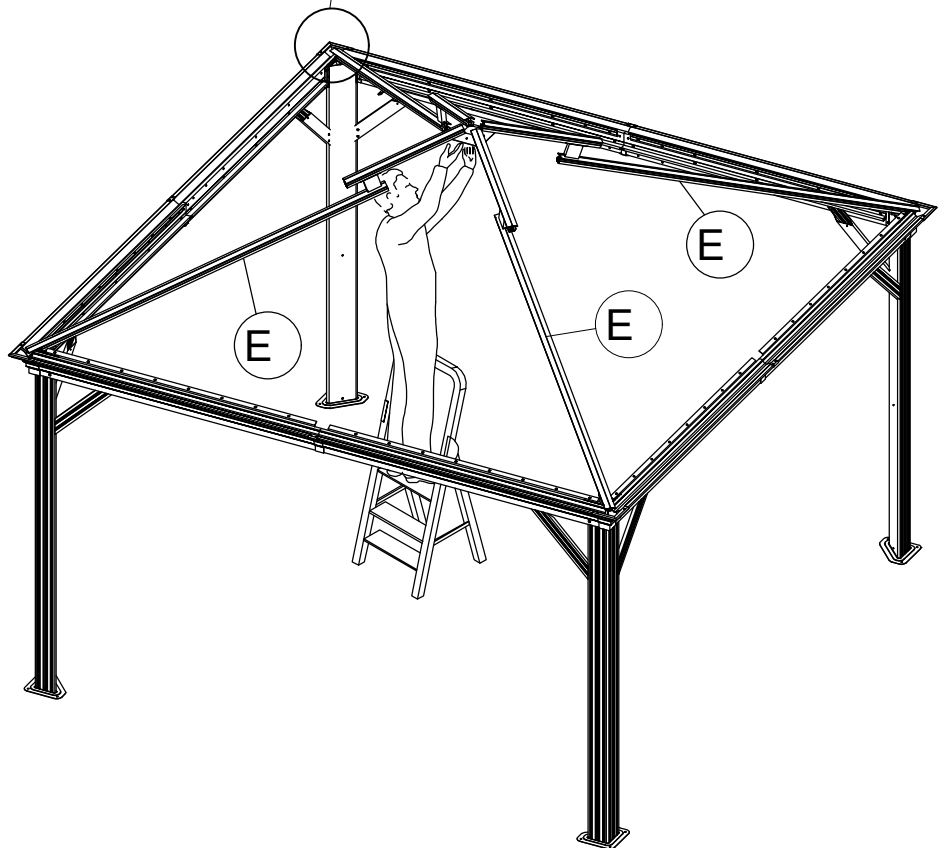
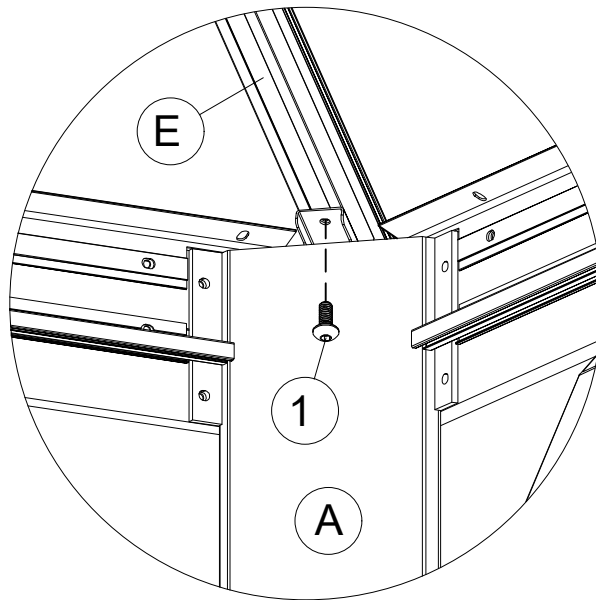




M6x15

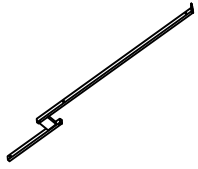
1 4x

<7>



Note:

1. Let one person stand on the ladder to lift "L1" and hold and let others fasten the screws connecting both ends of "E".
2. Please do not let go of holding "L1" until all the "E" screws are installed.



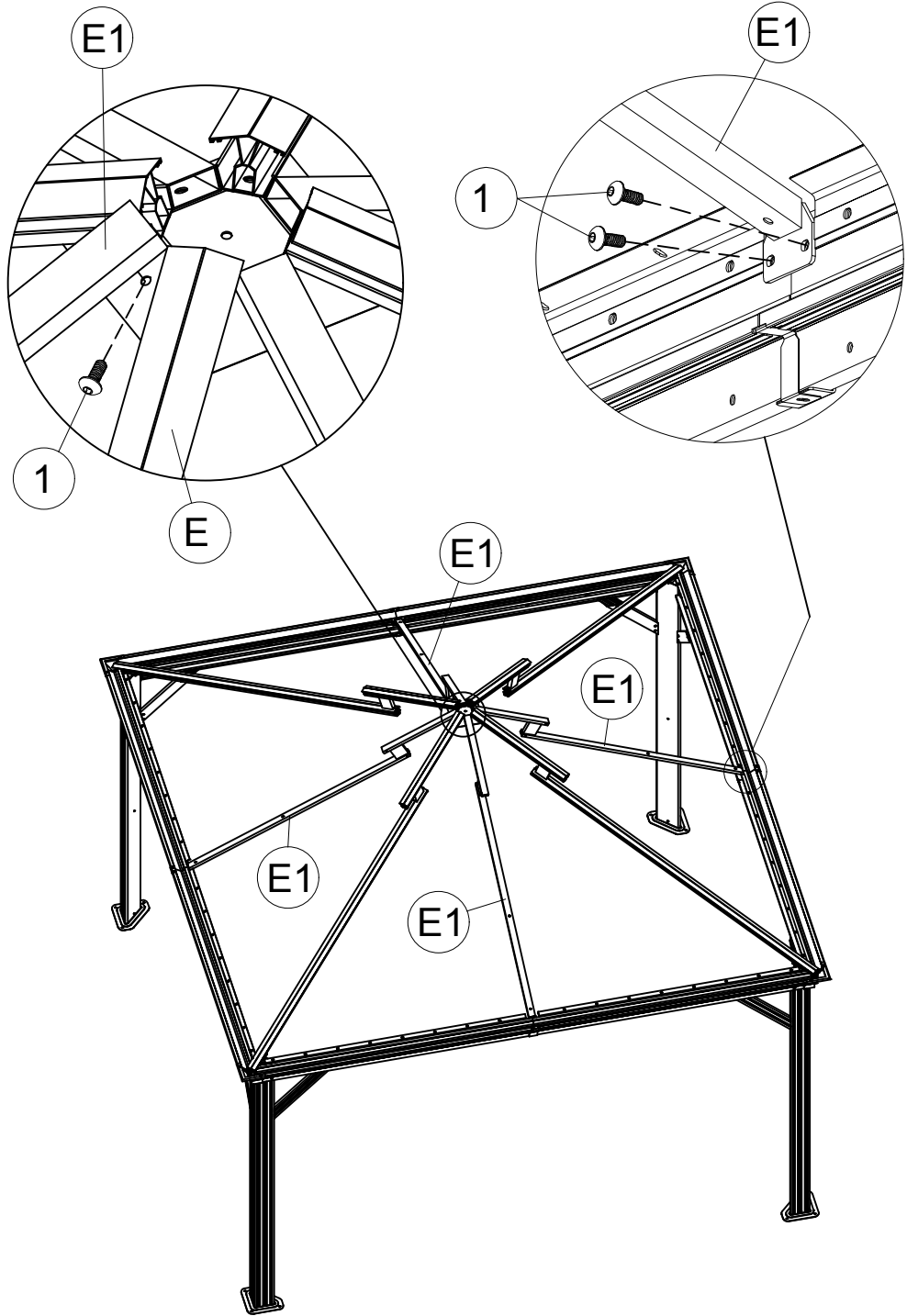
E1 4x

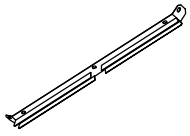


M6x15

1 12x

<8>





I1 4x



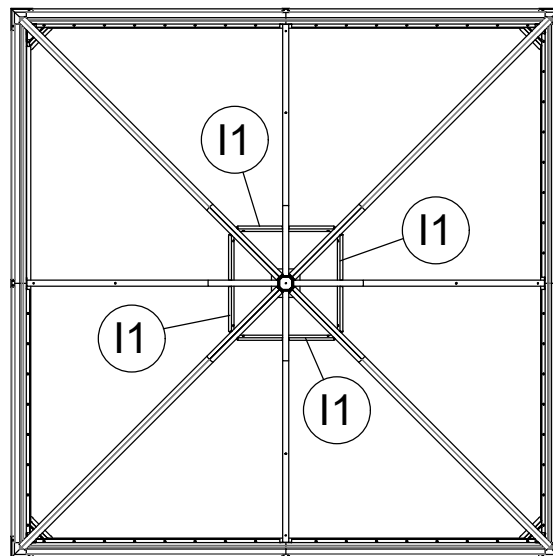
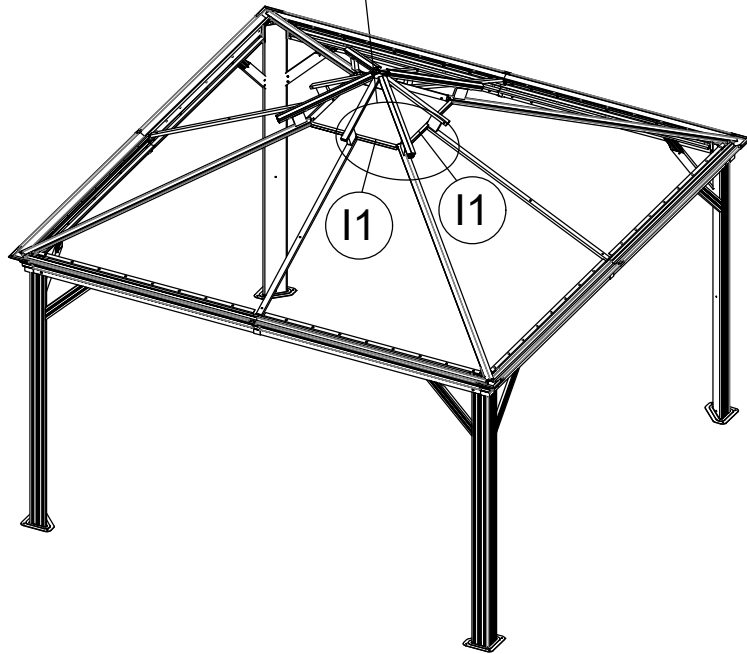
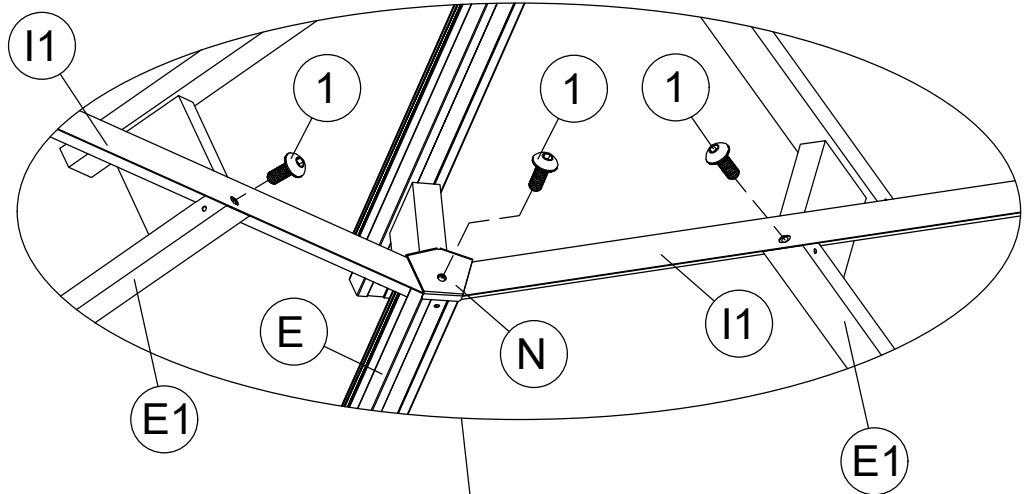
N 4x

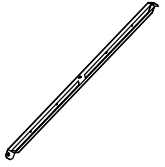


M6x15

1 8x

<9>





G1 4x



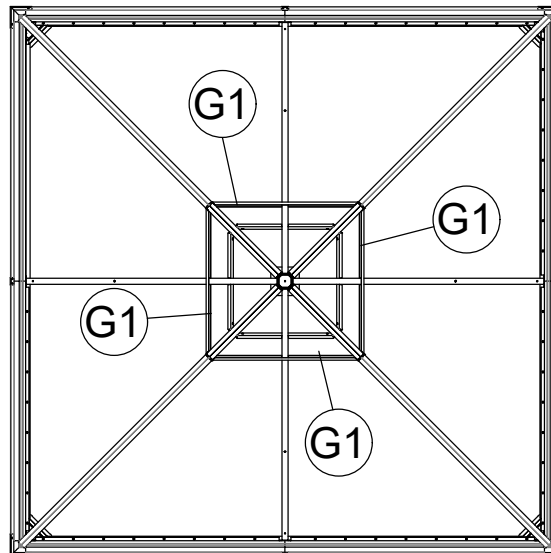
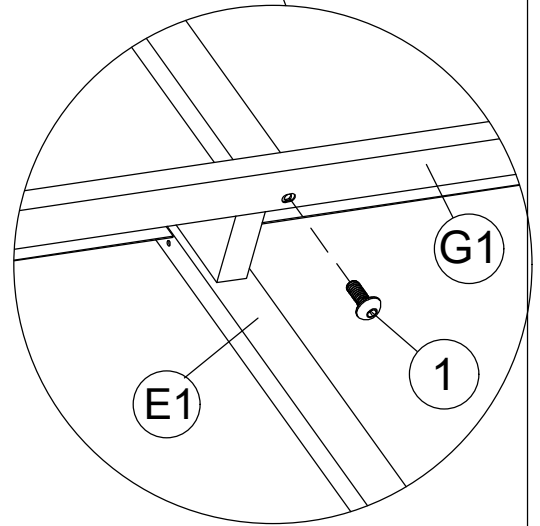
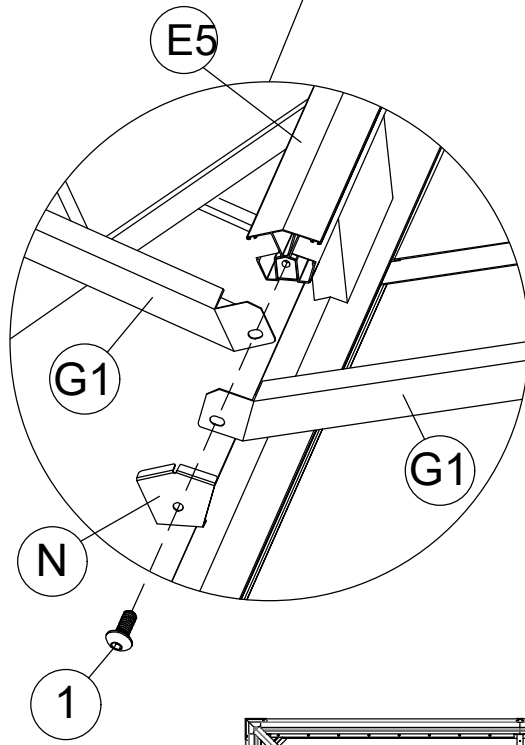
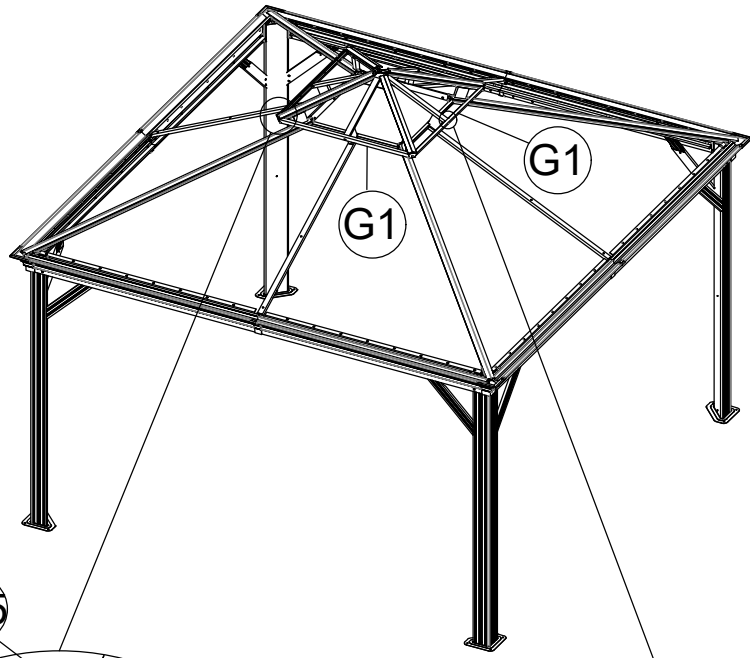
N 4x

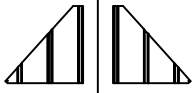


M6x15

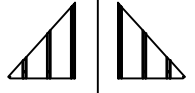
1 8x

<10>

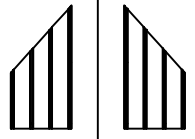




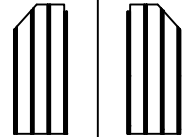
S1 4x S2 4x



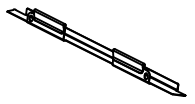
R1 4x R2 4x



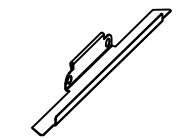
R3 4x R4 4x



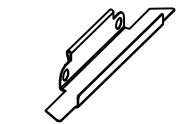
R5 4x R6 4x



Z 64x

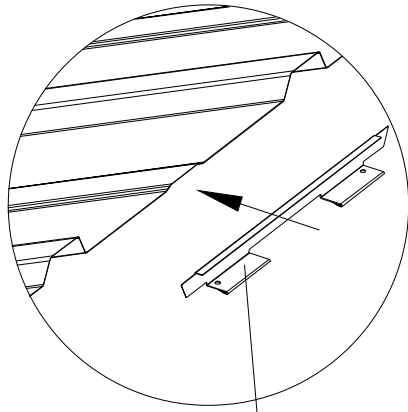


Z1 8x

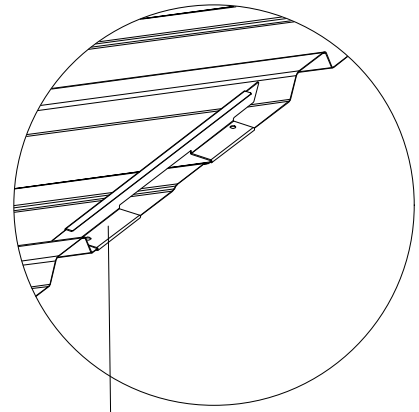
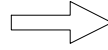


Z2 8x

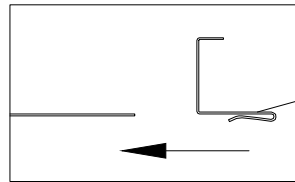
<11>



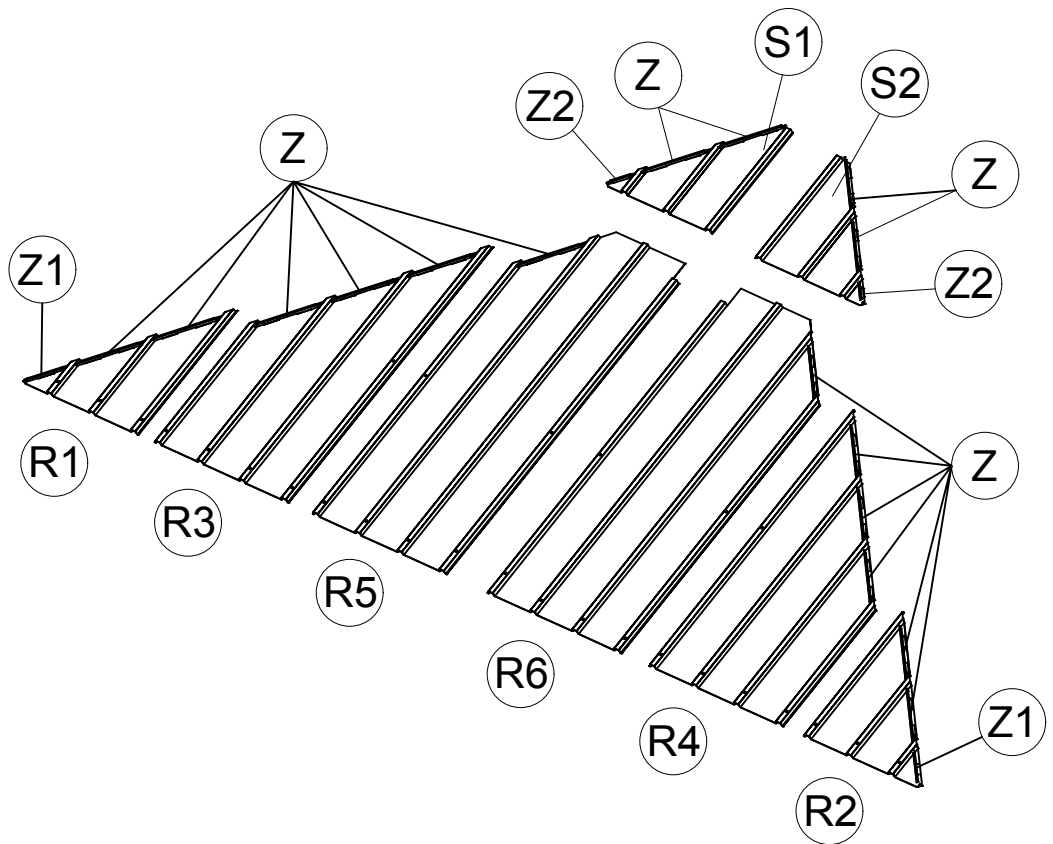
Z or Z1 or Z2



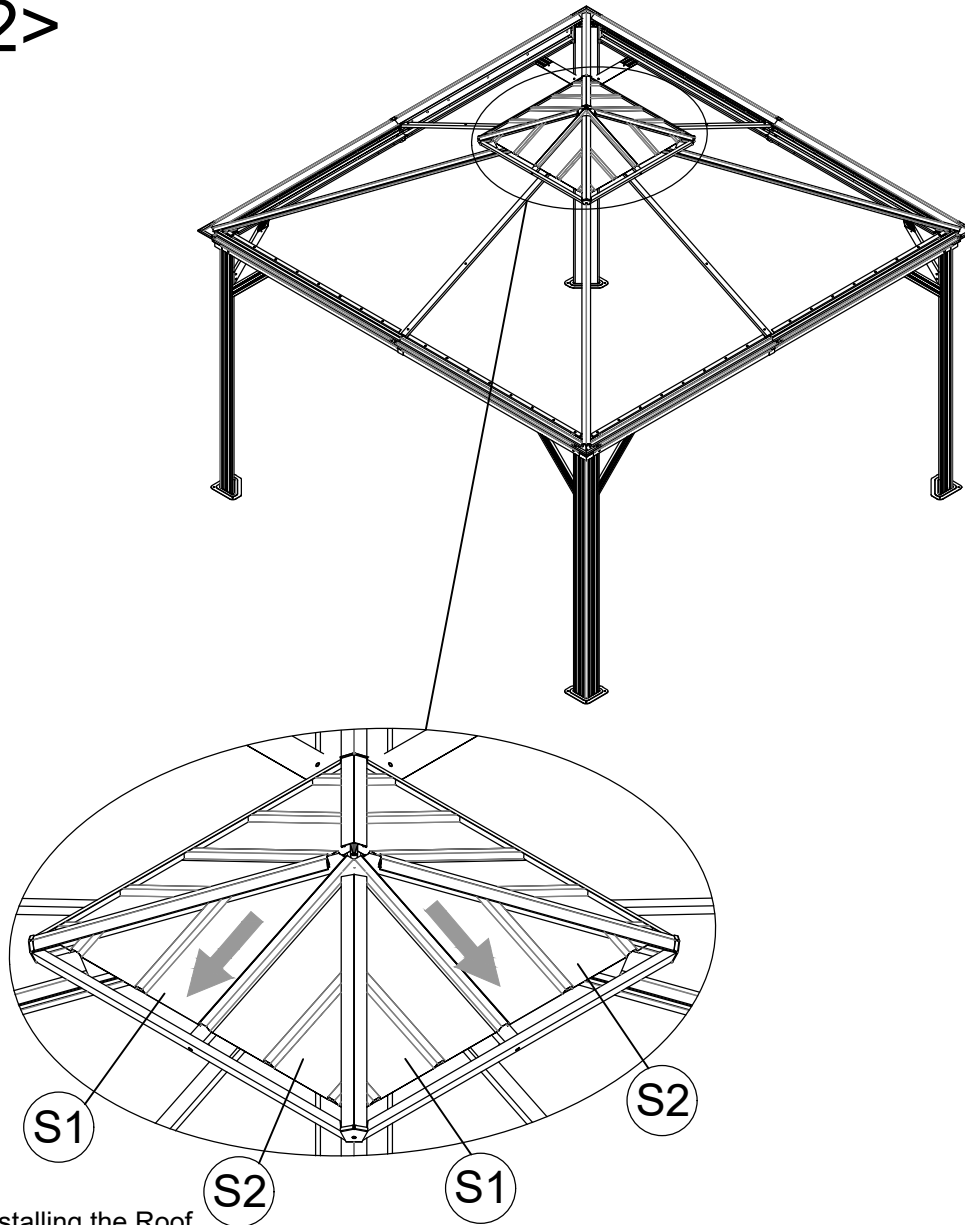
Z or Z1 or Z2



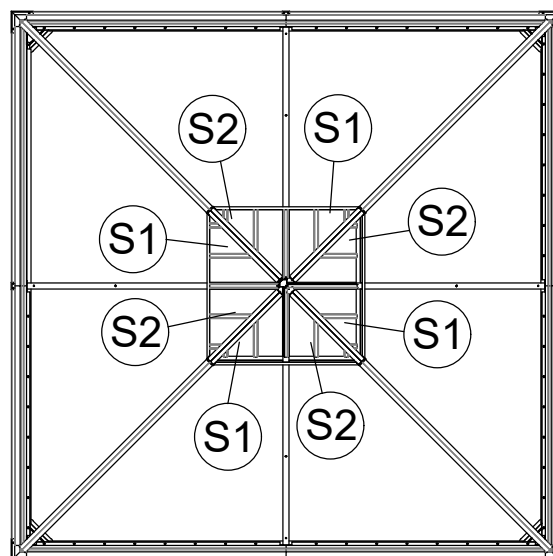
Z or Z1 or Z2

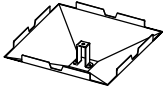


<12>



When installing the Roof plates (S2) onto short side, pls detach the right end of Roof Rib(G1) first. And then install the right end of Roof Rib (G1) again after S2 is installed.





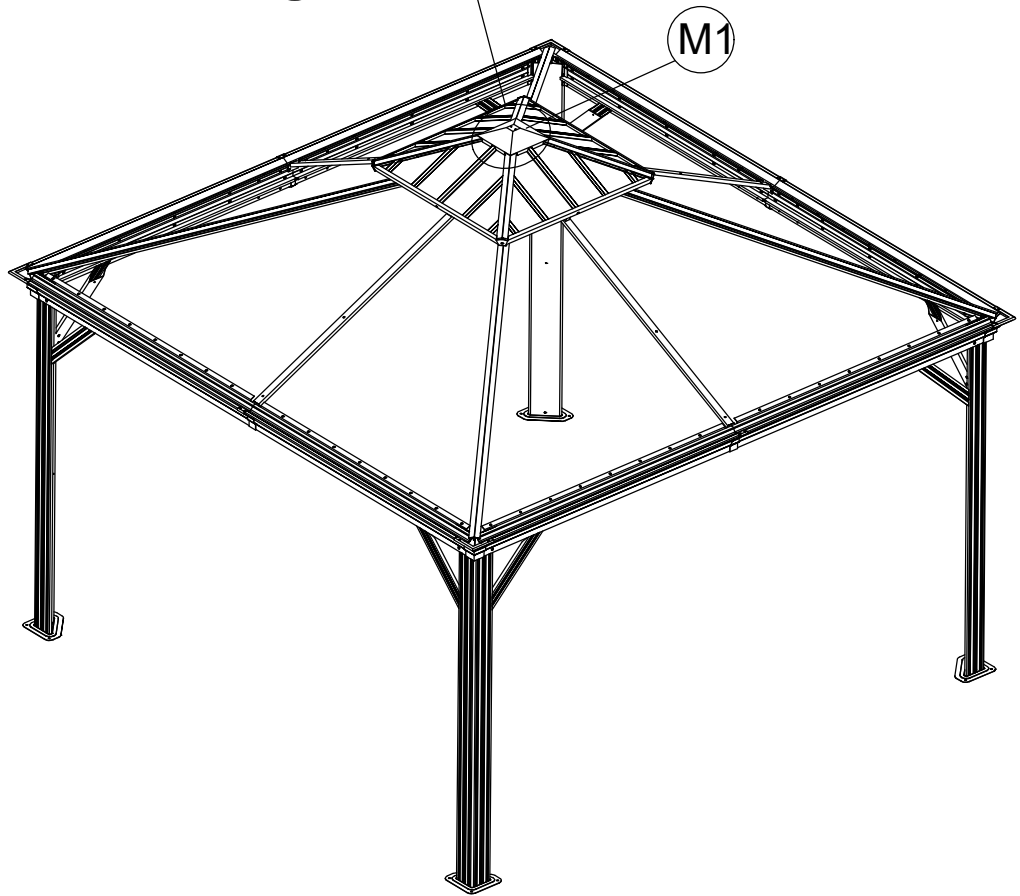
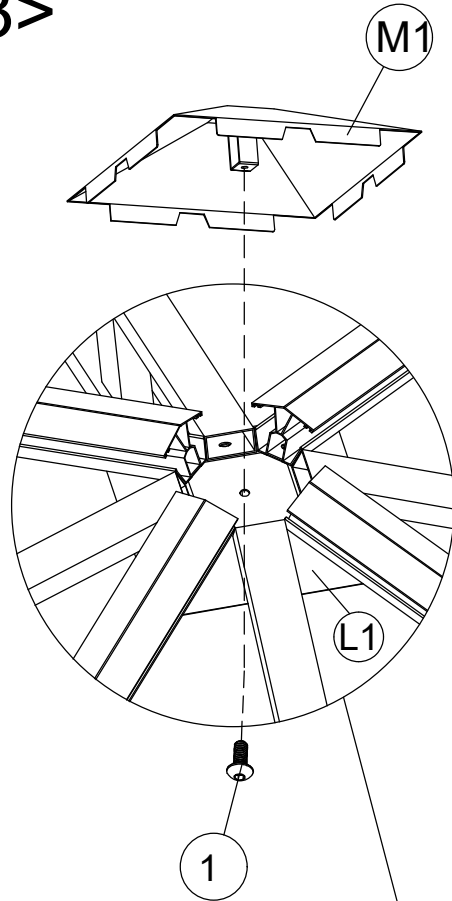
<13>

M1 1x

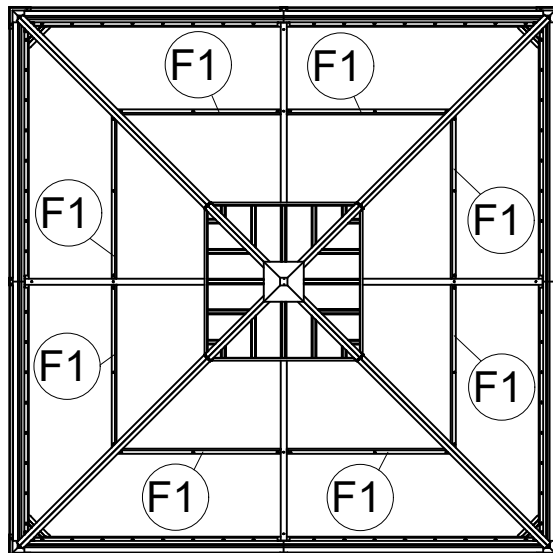
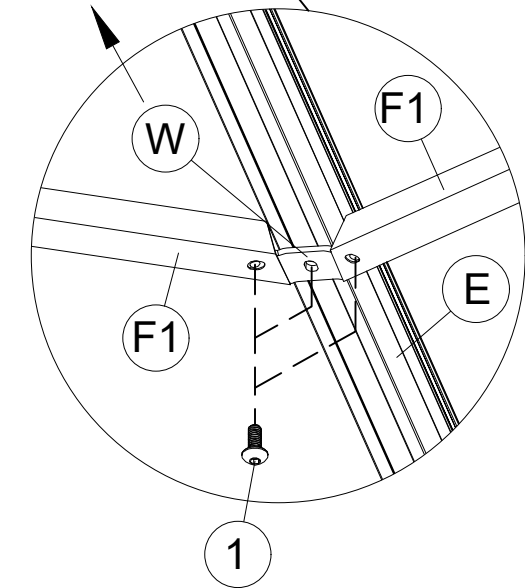
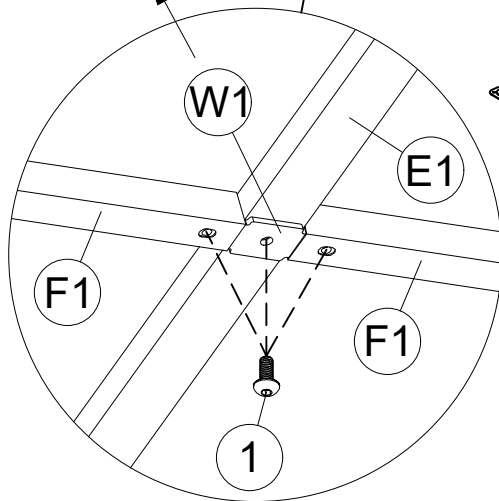
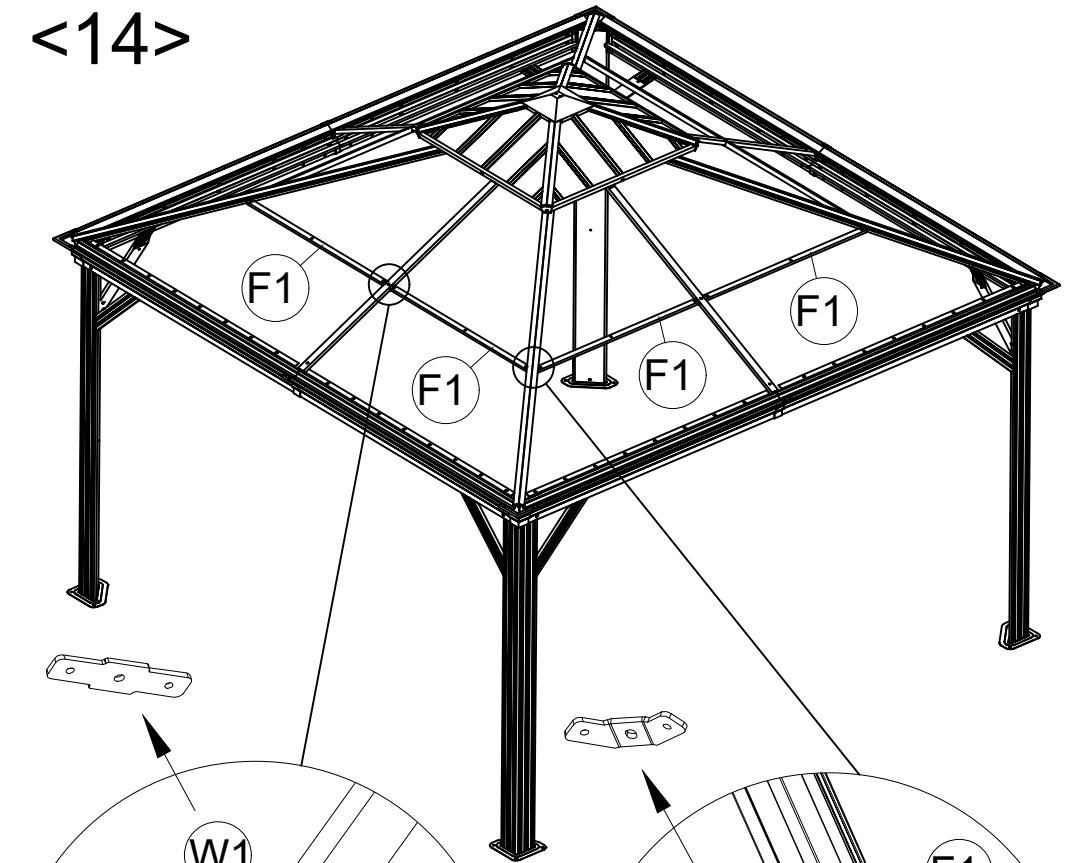


M6x15

1 1x



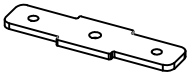
<14>



(F1) 8x



(W) 4x



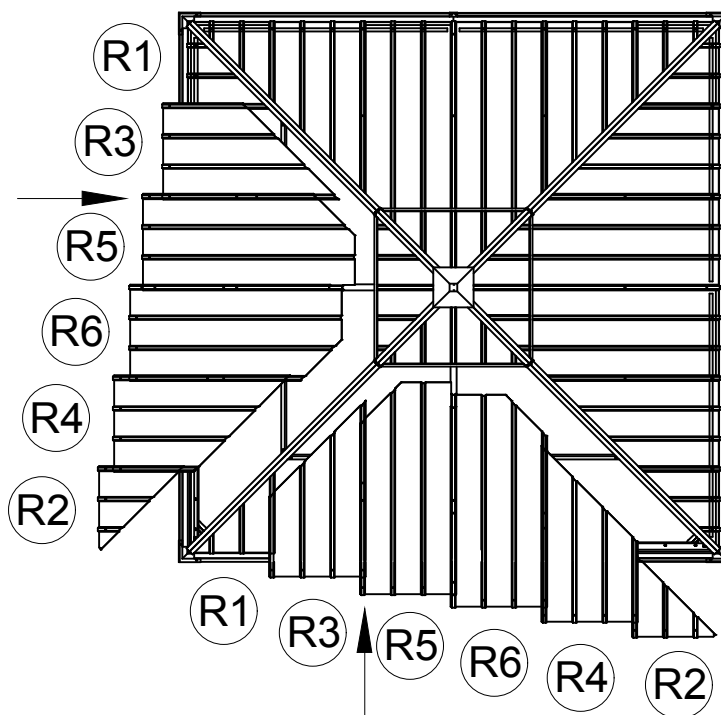
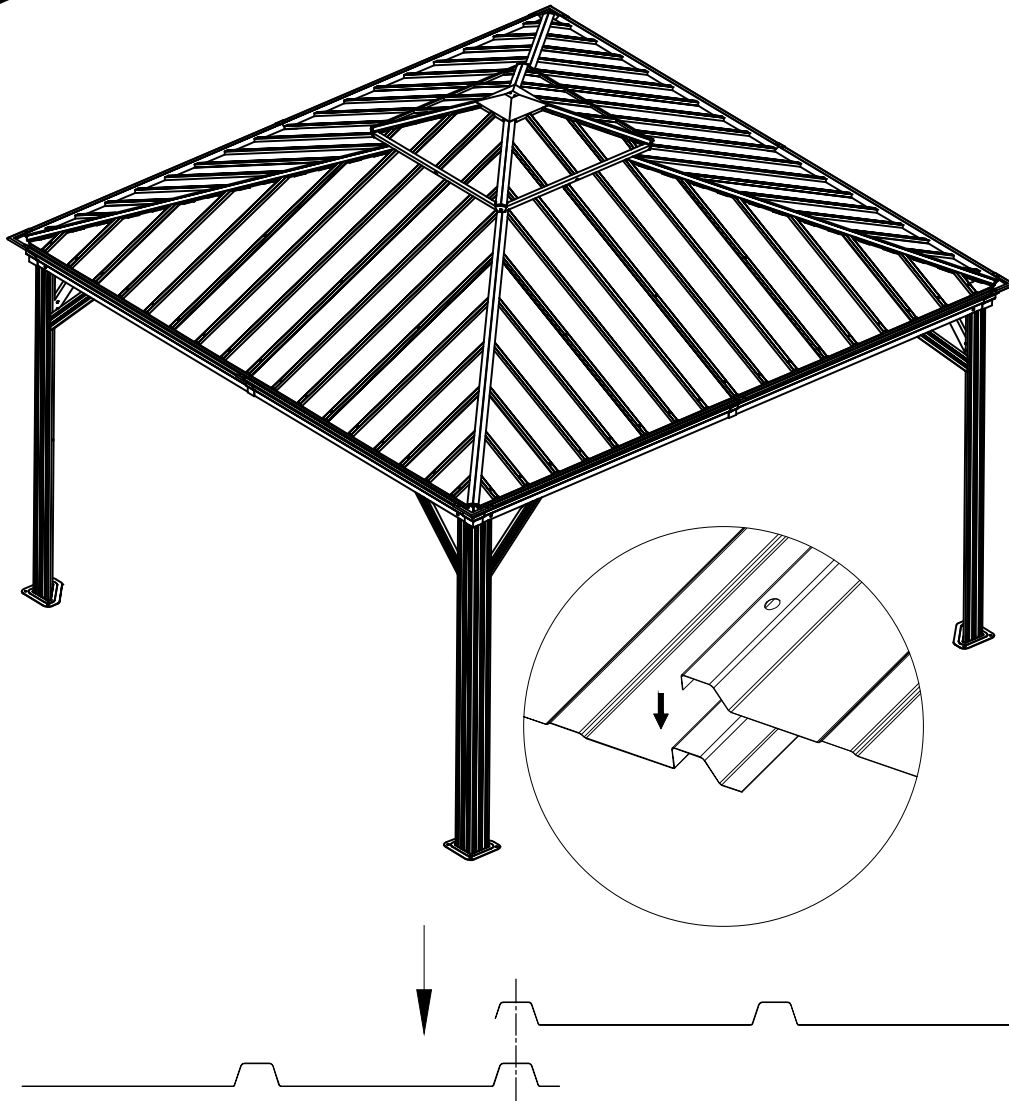
(W1) 4x



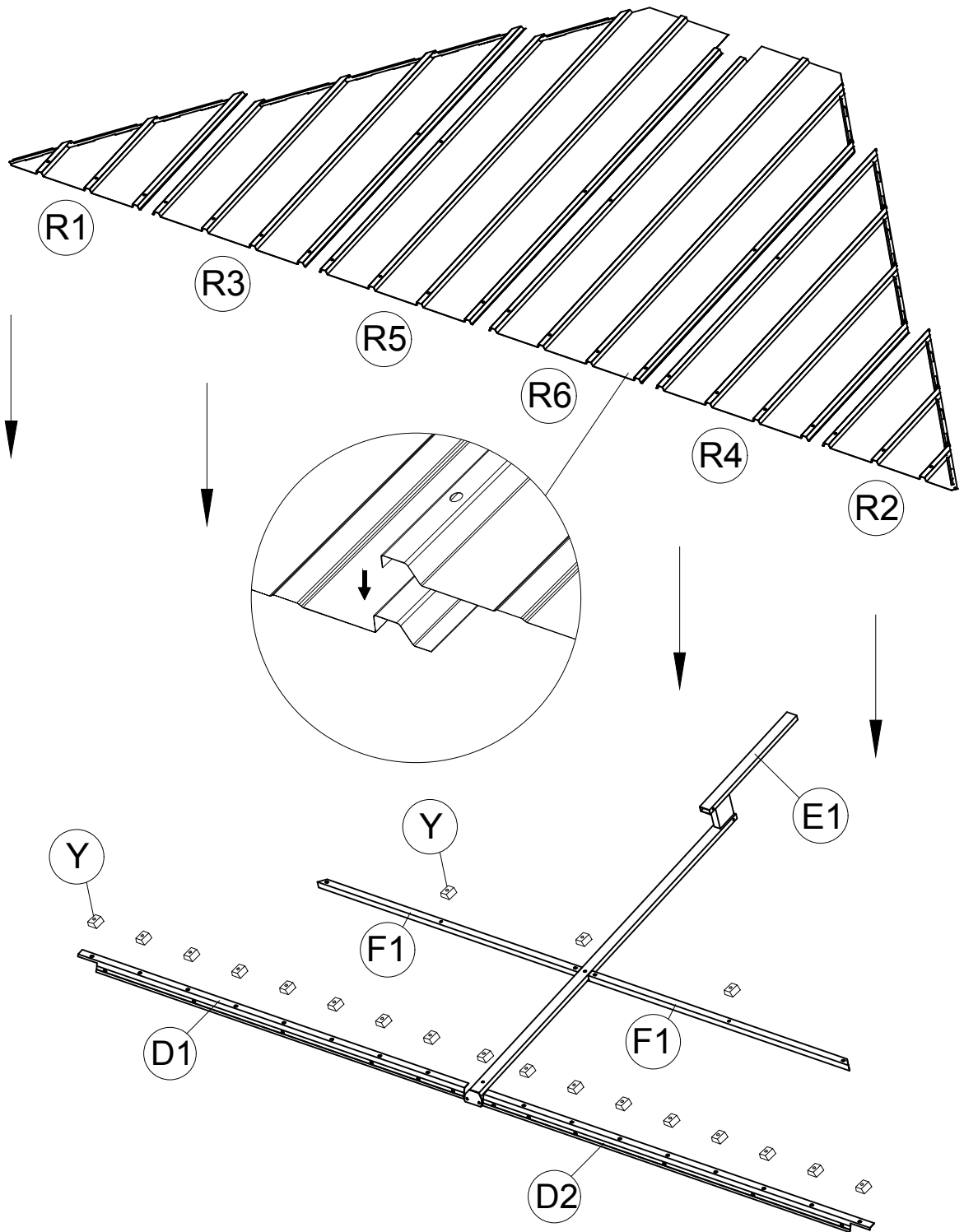
M6x15

(1) 24x

<15>



<16>





<17>

Y 80x

64x

M6x23

2 64x



M6x25

3 4x



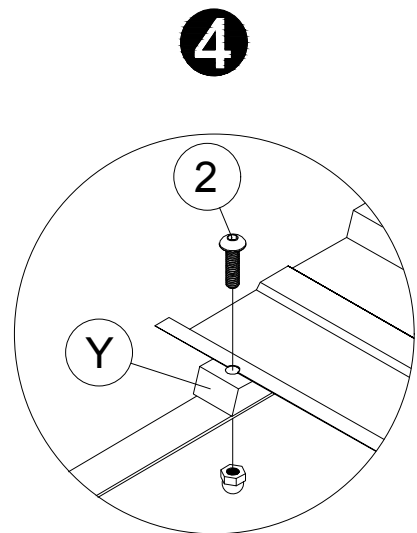
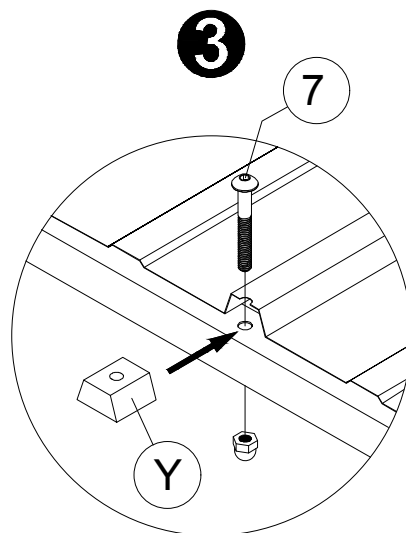
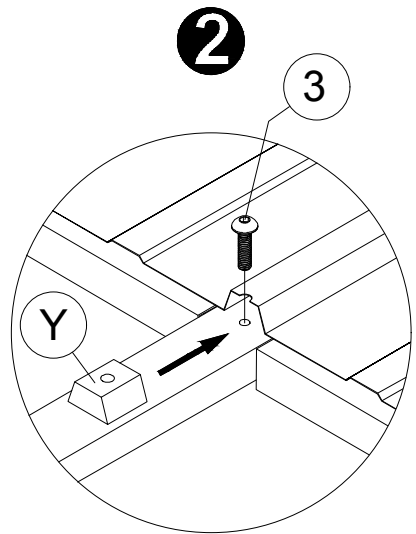
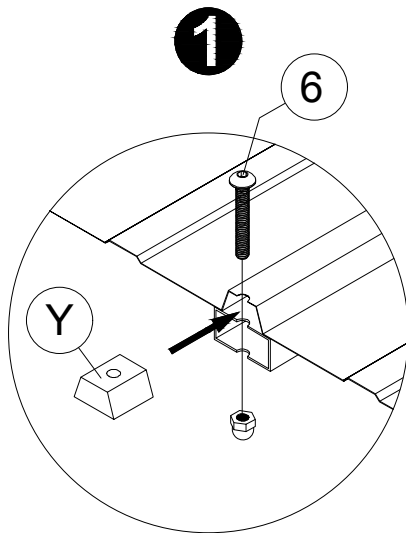
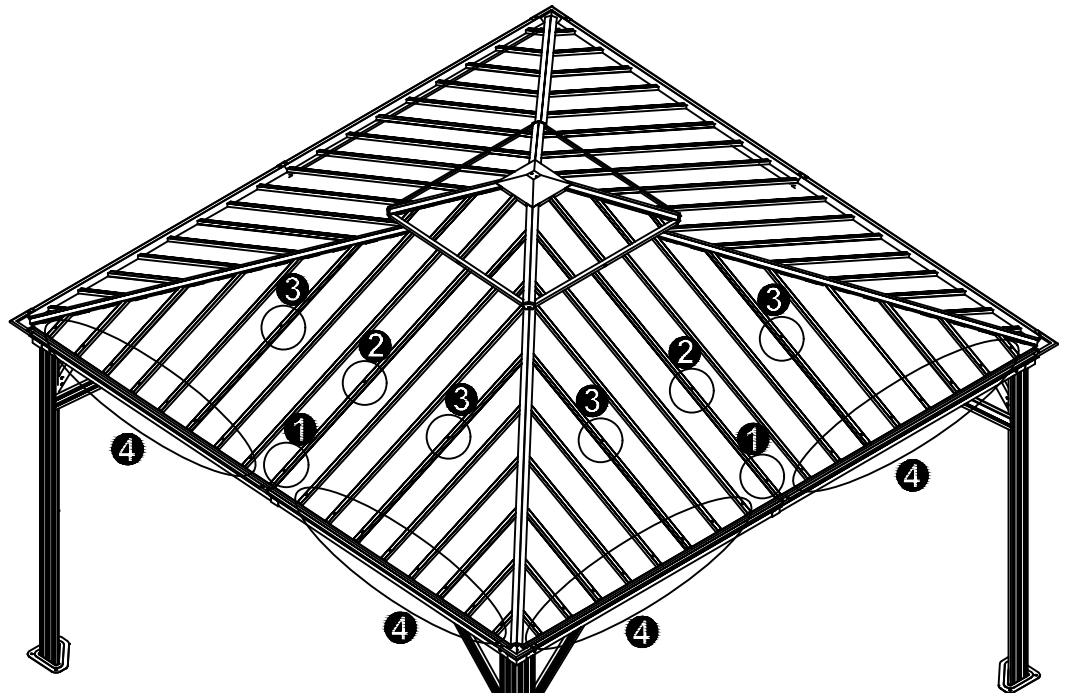
M6x42

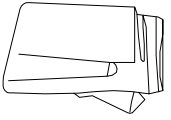
6 4x



M6x47

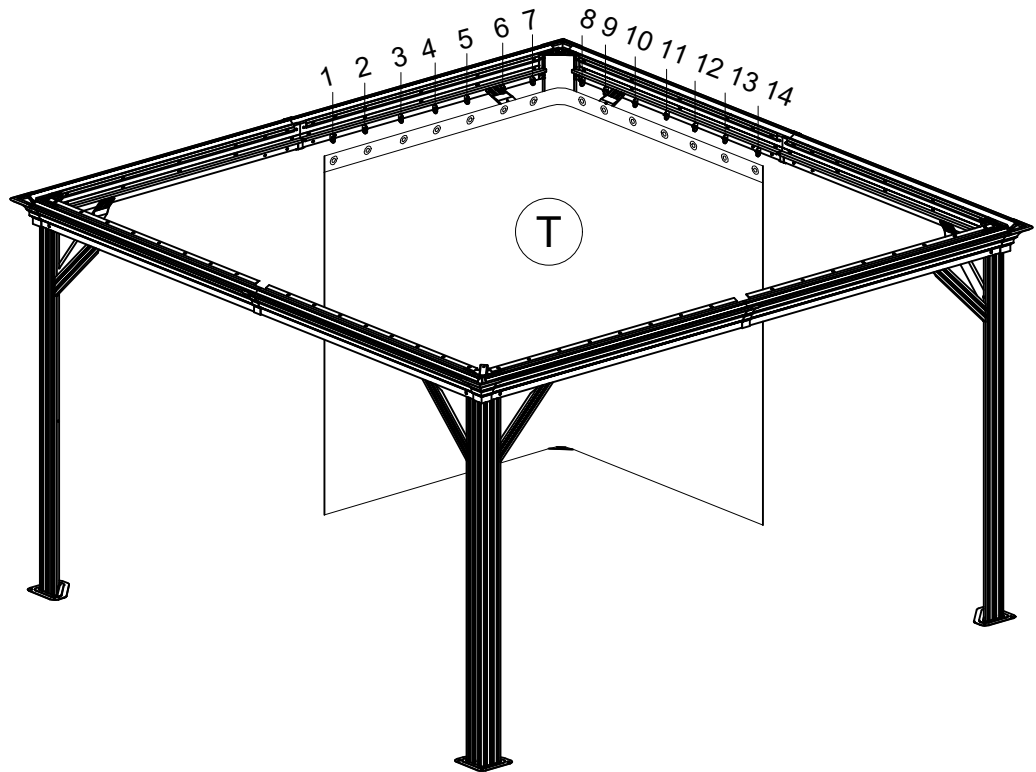
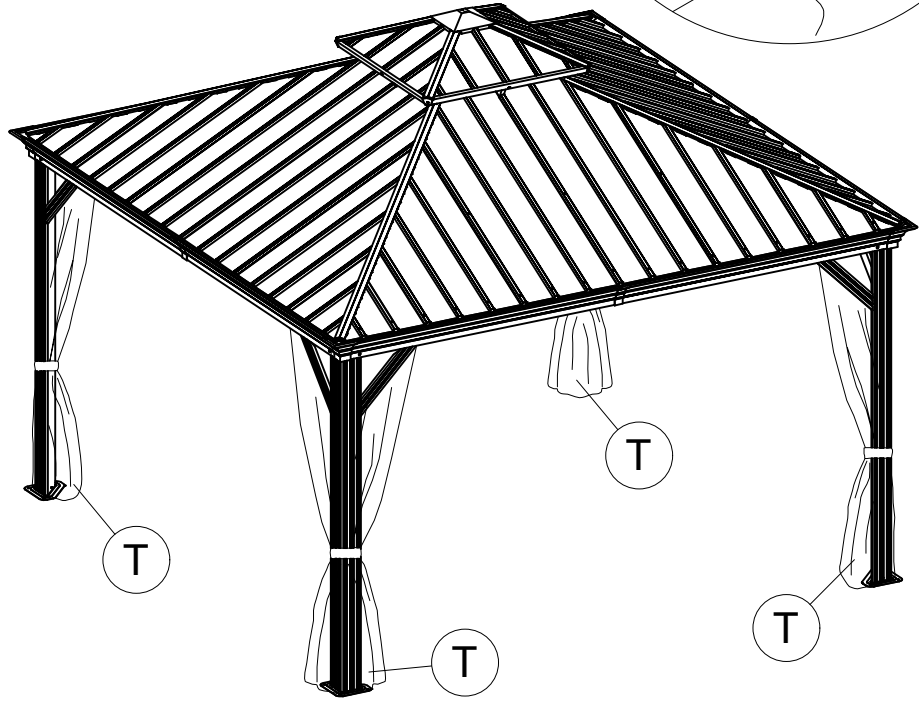
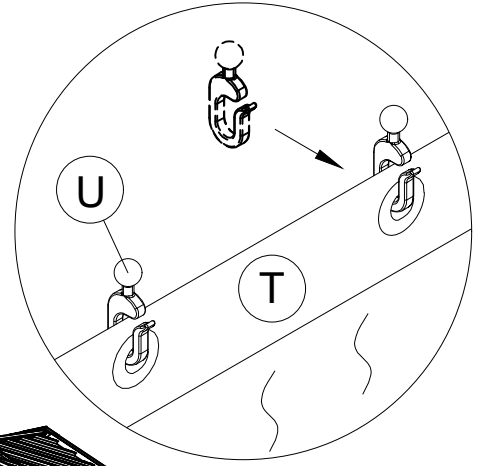
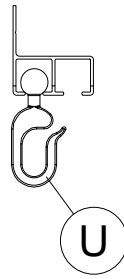
7 8x

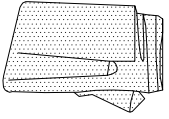




<18>

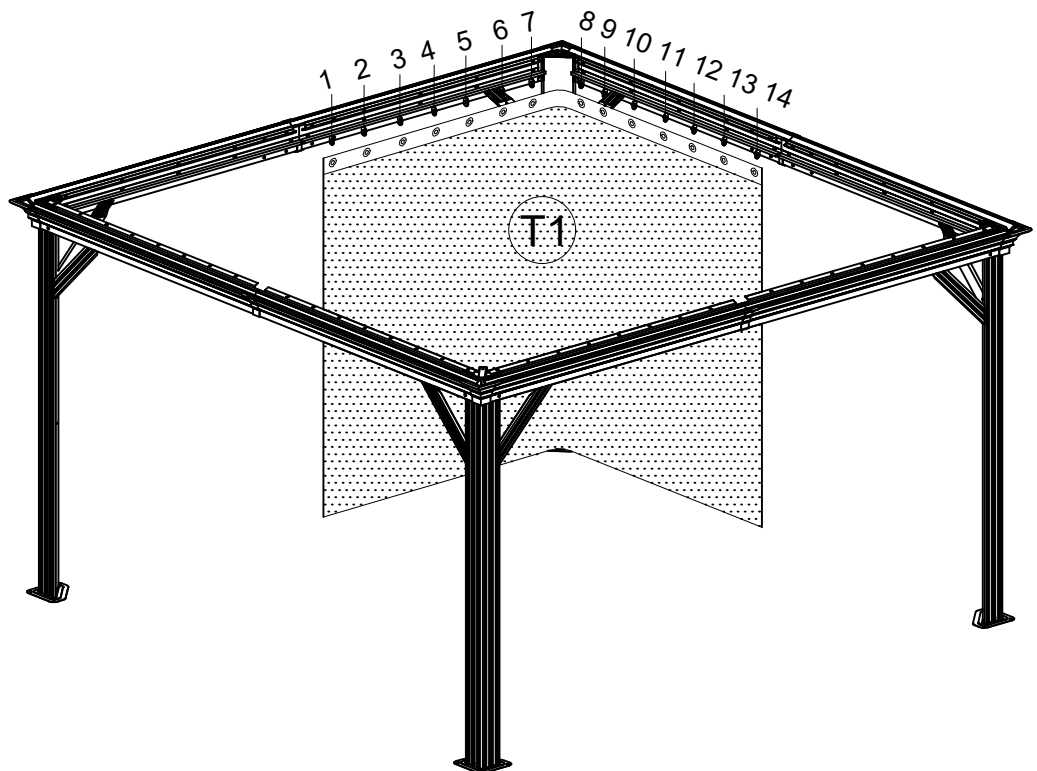
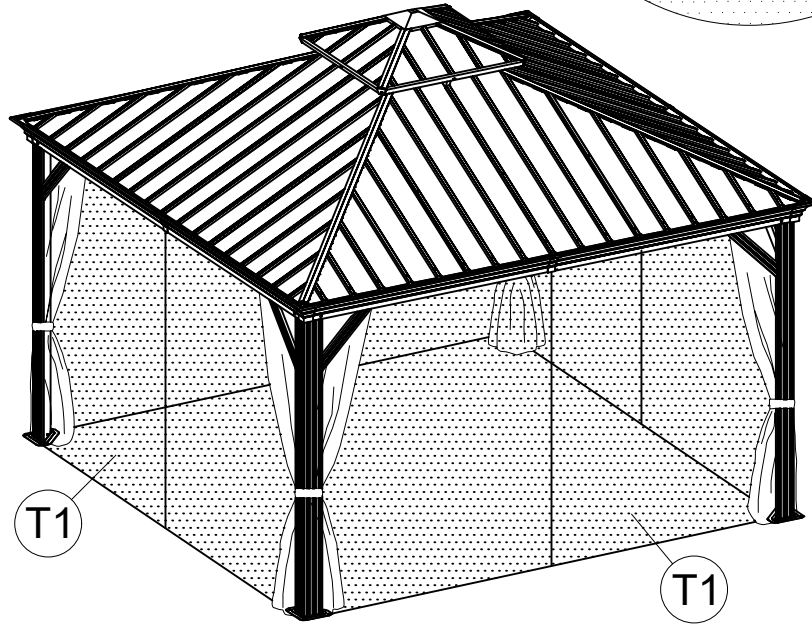
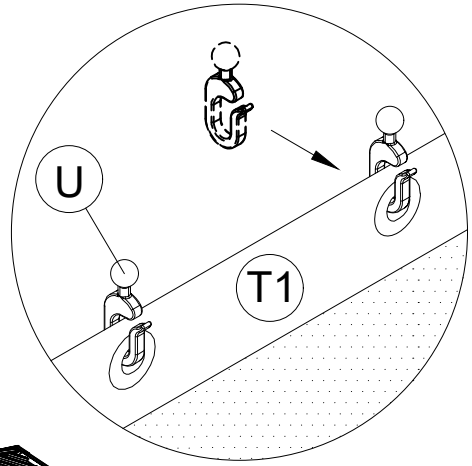
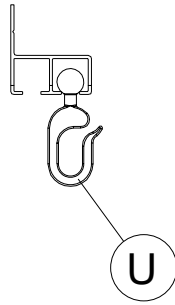
T 4x

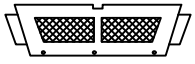




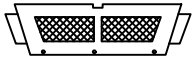
<19>

T1 4x





V1a 2x



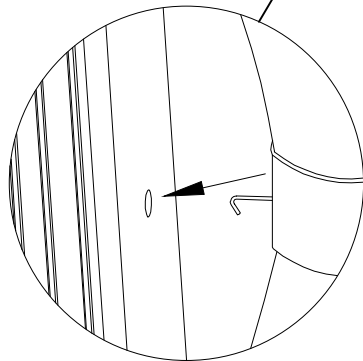
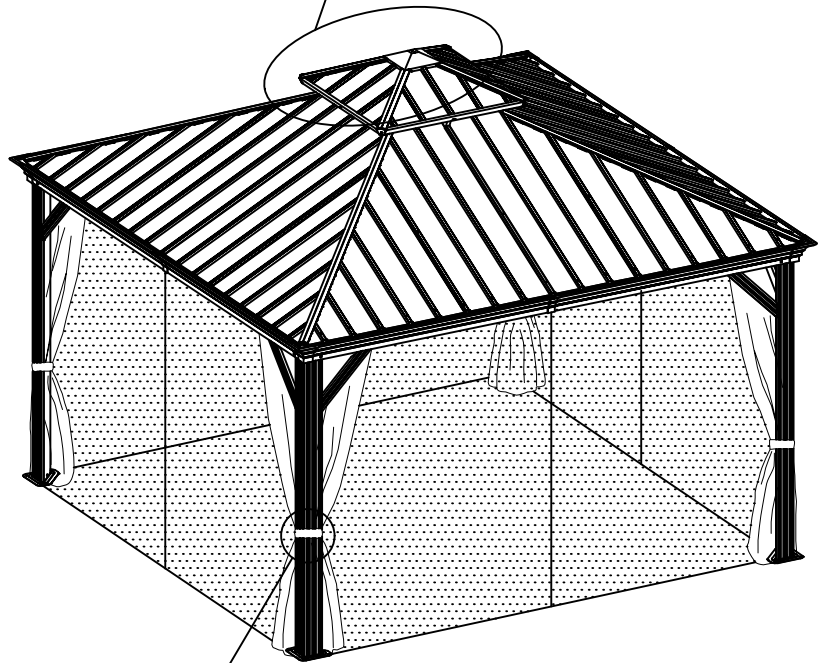
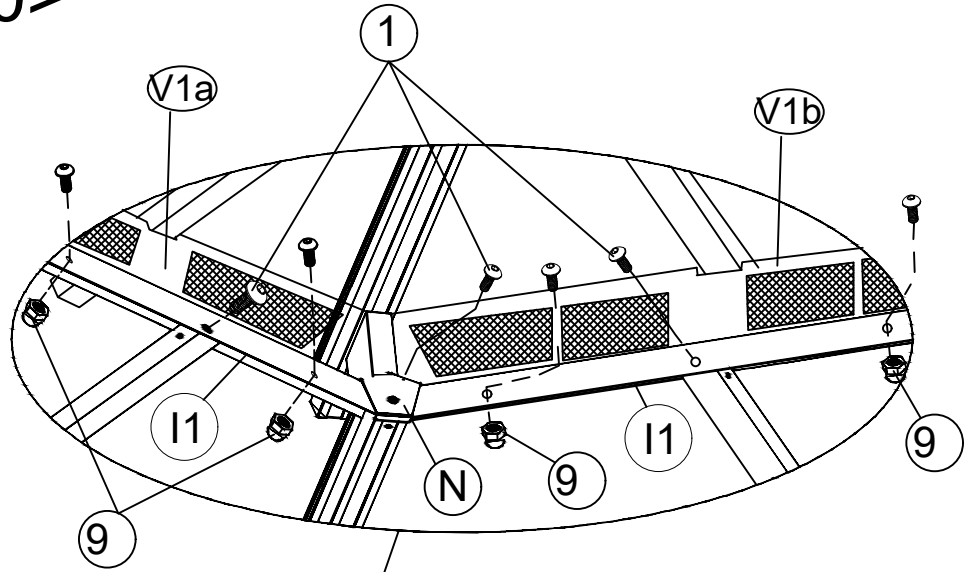
V1b 2x



M6x10

9 8x

<20>



Carton-1/4		Carton-3/4		Carton-4/4	
Part	Qty	Part	Qty	Part	Qty
A	4	B2	4	R1	4
E1	4	F1	8	R2	4
E5	2	H	4	R3	4
C1	4	H1	4	R4	4
P	4	E5	2	R5	4
V1a	2	J	4	R6	4
V1b	2	T	4	S1	4
		T1	4	S2	4
		L1	1		
Carton-2/4		M1	1		
Part	Qty	Z	64		
B1	4	Z1	8		
E	4	Z2	8		
C2	4	1.2.3.4.6.7.8.9. 10.12.13.14.15	1		
D1	4				
D2	4				
I1	4				
G1	4				
K	4				
K1	4				
W	4				
W1	4				
W3	8				
W4	8				
V	4				
N	8				
Y	80				
U	112				