



ASSEMBLY INSTRUCTIONS



Grandfather Clock

Your clock is fitted with a Westminster Chiming movement. This has an automatic night silence function that silences the Chimes between 10.00 P.M. and 6.00 A.M.(last strike 9:00PM, first strike 6:00AM). Please make sure you have 2 x D Alkaline batteries, as these are not included. You will also need a screwdriver.

ALKALINE BATTERIES REQUIRED

	
SIZE C	SIZE AA
2 PCS	3 PCS

ASSEMBLY TOOLS REQUIRED



ASSEMBLY TIPS:

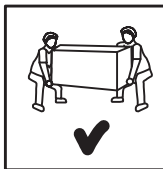
1. Remove hardware from box and sort by size.
2. Please check to see that all hardware and parts are present prior to start of assembly.
3. Please follow attached instructions in the same sequence as numbered to assure fast & easy assembly.

Warning!





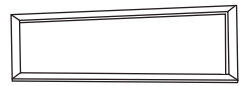




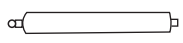


1. Don't attempt to repair or modify parts that are broken or defective. Please contact the store immediately.
2. This product is for home use only and not intended for commercial establishments.

CAUTION: PRODUCT IS FRAGILE. TO AVOID BREAKAGE AND POSSIBLE INJURY HANDLE WITH CARE!




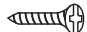
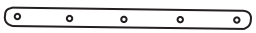



ASSEMBLY TIME PER UNIT: 20 MINUTES

PARTS IDENTIFICATION

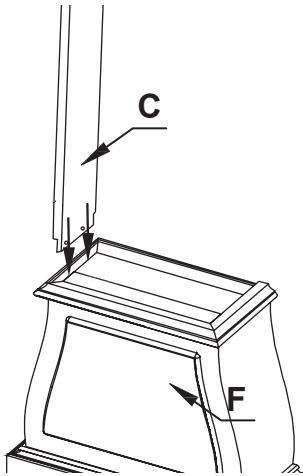
	PART NAME	FIGURE	QTY		PART NAME	FIGURE	QTY
A	TOP UNIT		1PC	F	BASE UNIT		1PC
B	FRONT DOOR		1PC	G	TOP DECORATION		1PC
C	LEFT SIDE PANEL		1PC	H	PENDULUM		1PC
D	RIGHT SIDE PANEL		1PC	I	DECORATION WEIGHTS		2PCS
E	BACK PANEL		1PC	J	DECORATION CHAINS		4PCS

HARDWARE IDENTIFICATION

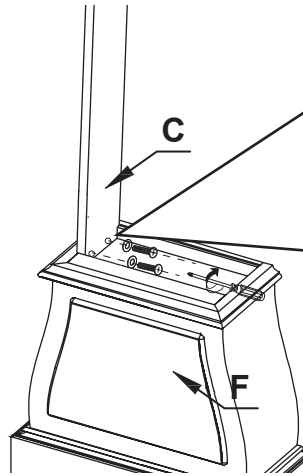
	DESCRIPTION	FIGURE	QTY		DESCRIPTION	FIGURE	QTY
1	BOLTφ8*40mm		8PCS	4	LONG SCREW		1PC
2	FIXING BARS		2PCS	5	SHORT SCREW		1PC
3	CABLE TIE		1PC	6	PLASTIC ANCHOR		1PC

NOTES: PLEASE MAKE SURE CLOCK IS IN LEVEL POSITION, OTHERWISE IT WILL NOT OPERATE PROPERLY.

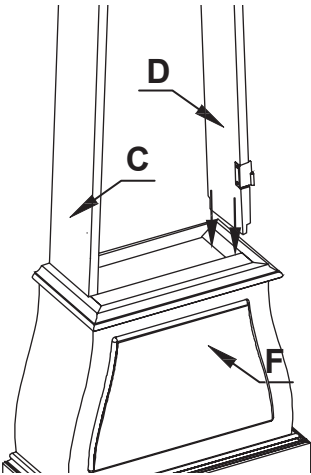
STEP 1-1



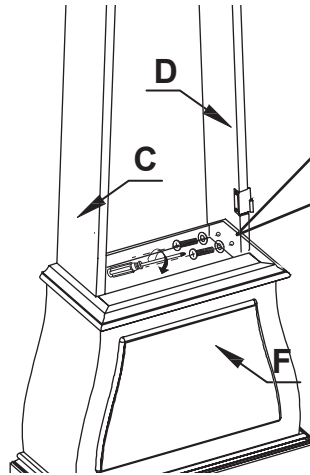
STEP 1-2



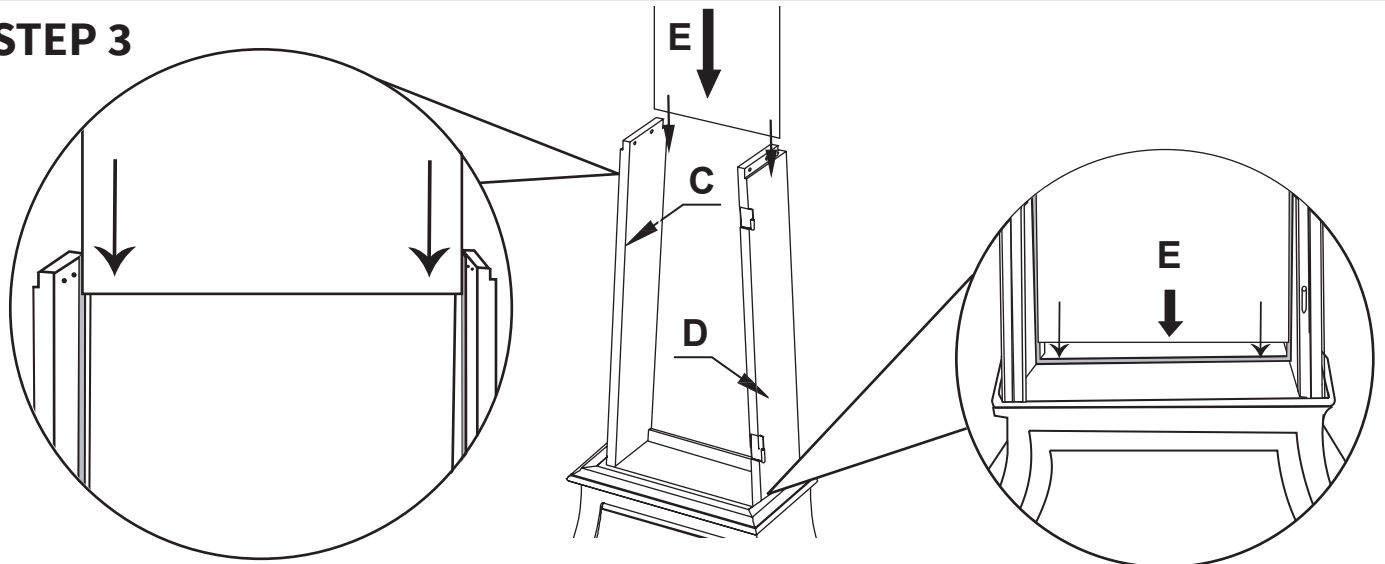
STEP 2-1



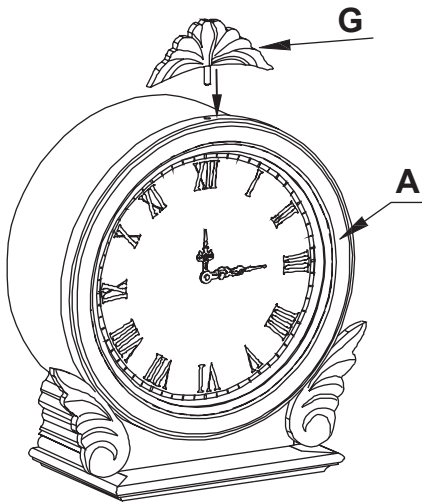
STEP 2-2



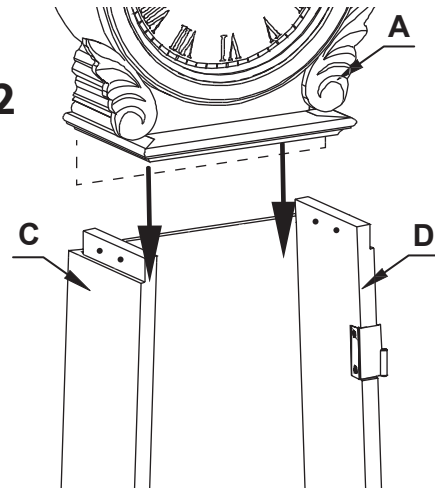
STEP 3



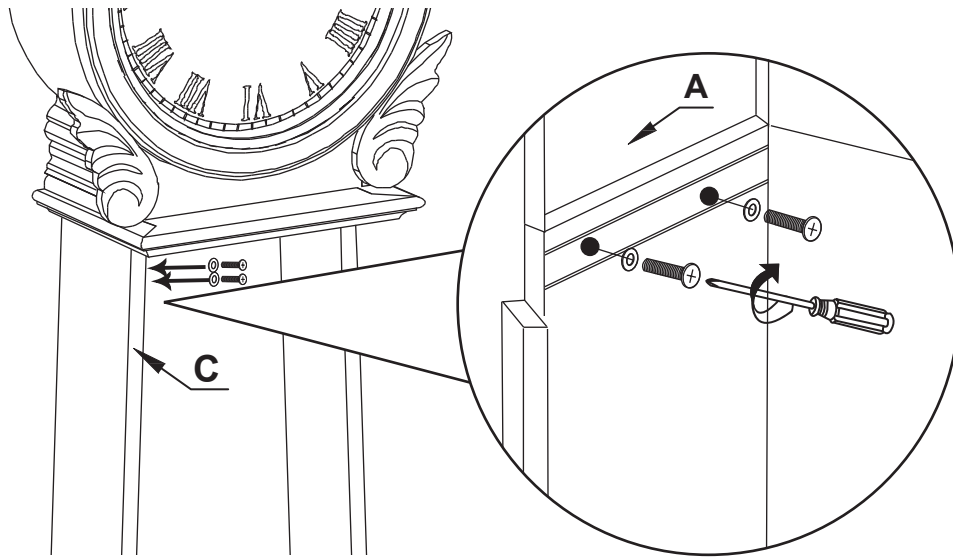
STEP 4-1



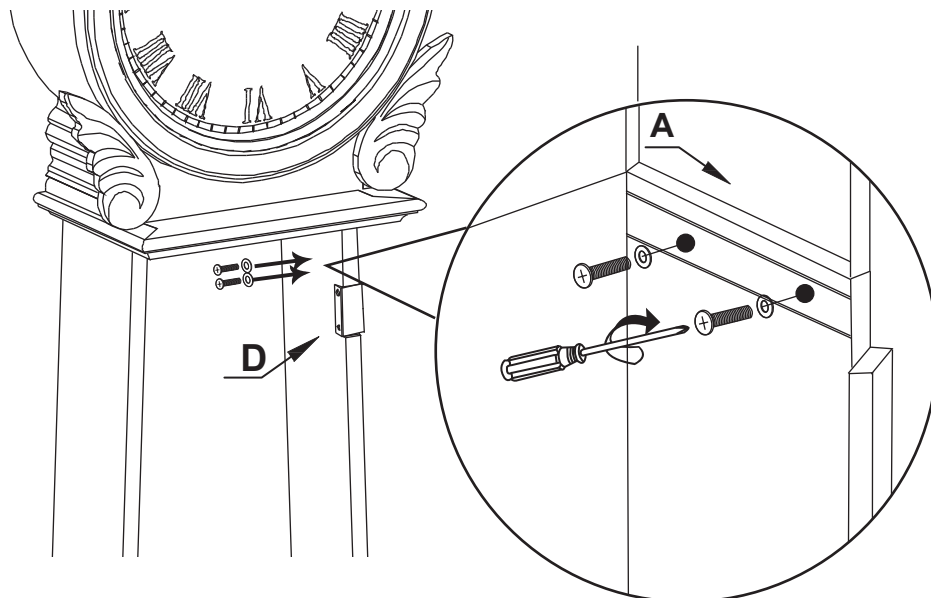
STEP 4-2



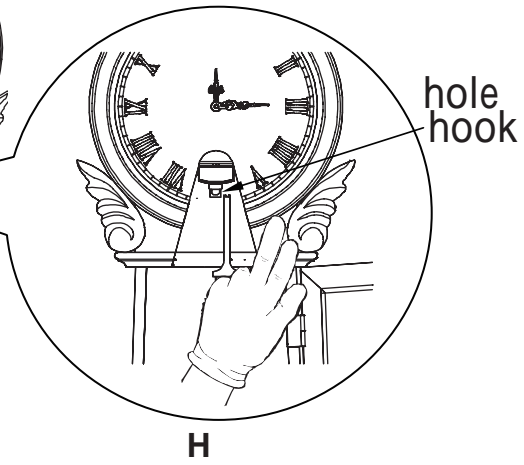
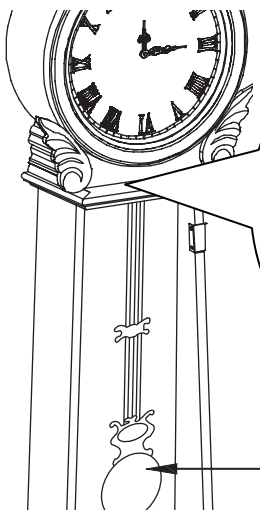
STEP 5



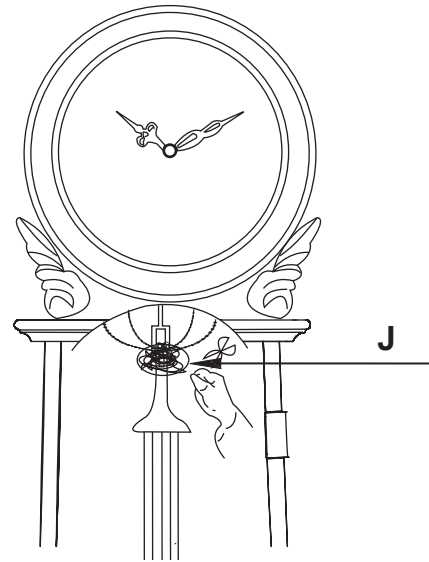
STEP 6



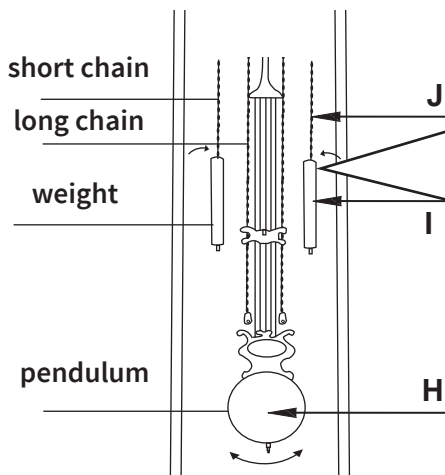
STEP 7-1



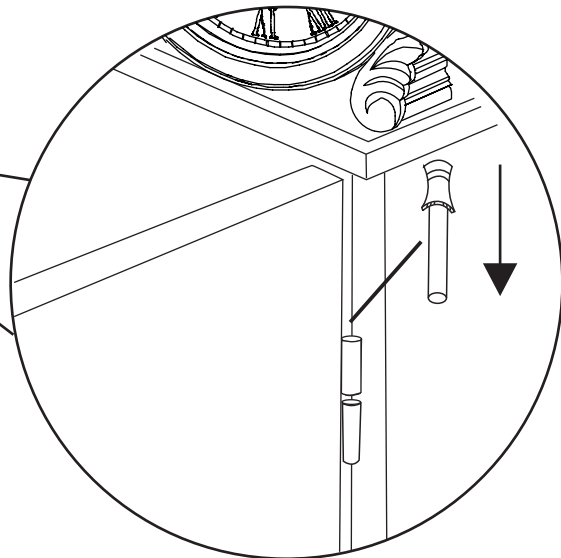
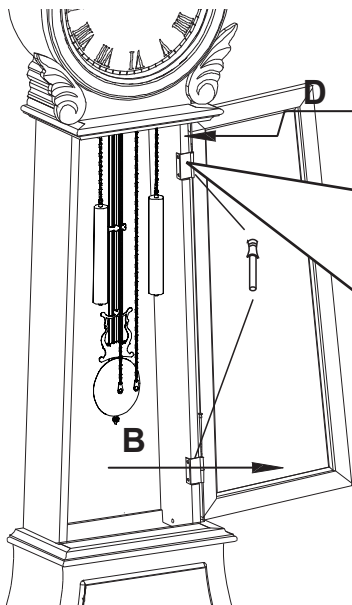
STEP 7-2



STEP 8



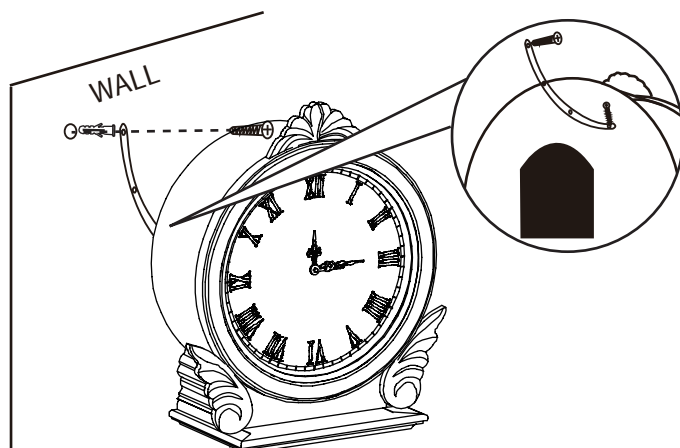
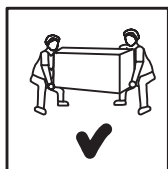
STEP 9



STEP 10

ATTENTION: ANTI TIPPING SAFEGUARD

BACK OF THE CLOCK



FURNITURE TIPPING RESTRAINT

WARNING

Injury may result from tipping furniture.

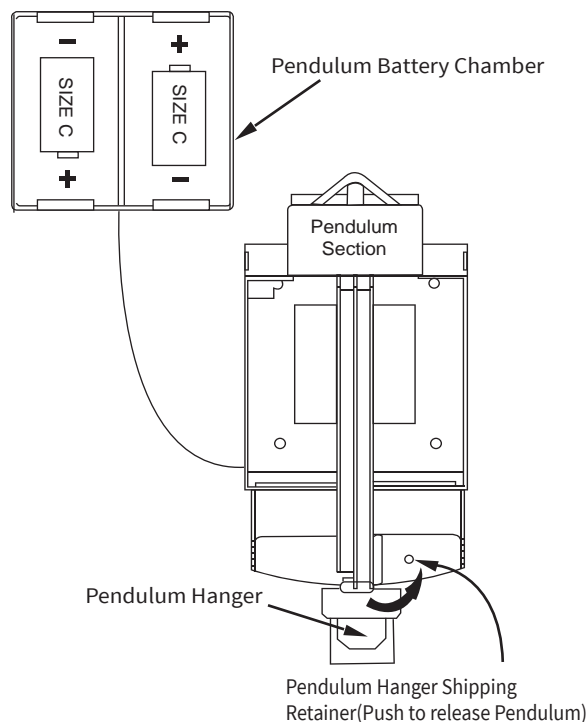
This restraint is not a substitute for proper adult supervision.
This restraint may provide protection against tipping furniture.

Do not allow children to climb on furniture.

Failure to detach this restraint before moving furniture may result in injury and damage.

PENDULUM INSTRUCTION

1. Insert 2 x C Batteries into the Pendulum Battery Chamber. Ensure that the positive and negative symbols are aligned as shown.
2. Push Pendulum Hanger lightly, to release the Pendulum Hanger from "Pendulum Hanger Shipping Retainer", and to allow Pendulum to swing freely.
3. Hang the Pendulum (H) as shown in the figure below. Make sure that the bright side of the Pendulum Bob faces front of the clock.
4. Hang the Decorative Weight (I) as in the figure below.
5. Lightly push the Pendulum (H) sideways to let it swing.

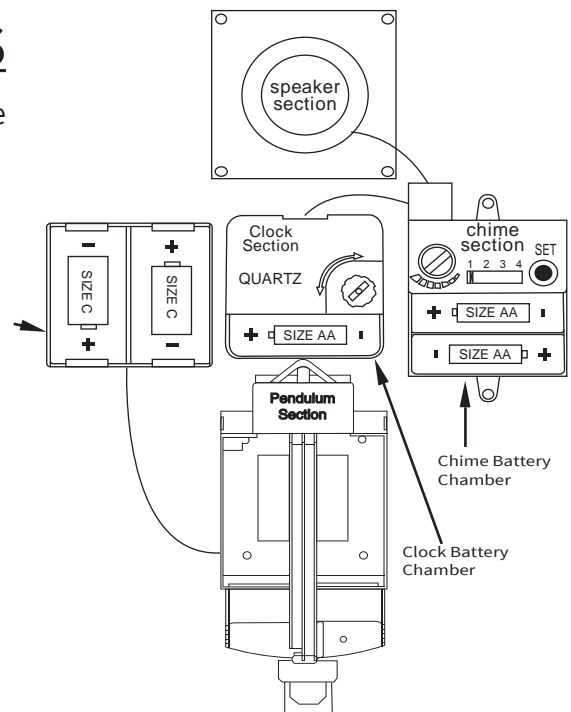


**IMPORTANT NOTICE: PLEASE MAKE SURE THE
PENDULUM HANGER" IS RELEASED FROM THE
"PENDULUM HANGER SHIPPING RETAINER",
OTHERWISE THE PENDULUM WILL NOT SWING.**

SETTING INSTRUCTIONS

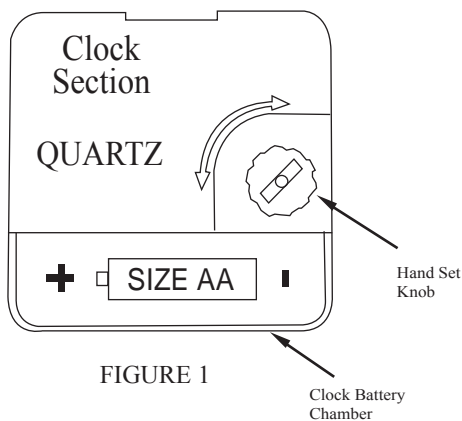
Before setting time, chime and pendulum, please open the back panel on the Top Unit. After removing the cover, please refer to the figure at the right to identify and locate the following items:

- Clock Section
- Clock Battery Chamber
- Chime Section
- Chime Battery Chamber
- Pendulum Section
- Pendulum Battery Chamber



SETTING TIME AND CHIME

1. Turn the hands to 6:30 by using the Hand Set Knob (Figure 1). Make sure the hands move **CLOCKWISE ONLY**.
2. Insert 2 x AA Batteries as shown (Figure 2). Ensure that the positive (+) and negative (-) symbols are aligned as shown.

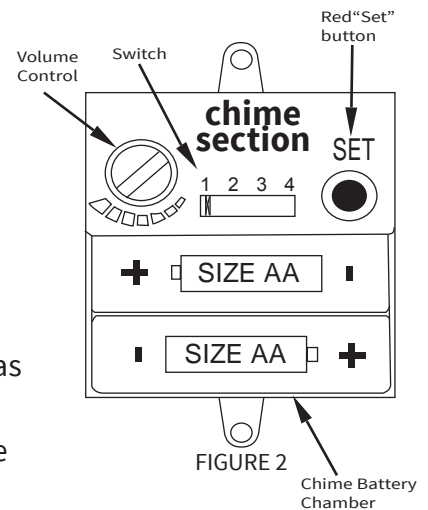


3. Insert 1 x AA Battery into the Clock Battery Chamber (Figure 1). Ensure the positive (+) and negative (-) symbols are aligned as shown.

4. Press the Red 'Set' Button once to start the chiming sequence.

5. Your clock will play the 'Westminster' chime and 'strike' six times indicating 6:00am. Your clock is now set to the correct chiming sequence.

6. After setting the correct chiming sequence, then set the clock to the correct time with the Hand Set Knob.



E.g.-if you are setting the clock to 8 o'clock in the evening, 8:00 pm, you will need to move the hands forward to 12 o'clock and then continue to 8 o'clock to show 8:00 pm. Alternatively, if the time is 8:00 am when you are setting, you just move the hands forward from 6:30 to 8:00. The clock now knows it is 8:00 am.

If the clock time is not right or the clock chimes incorrectly, please replace the batteries, and follow the set time and chime procedure as above.

Your clock will not chime or strike after 9:00 pm, it has an **AUTOMATIC** night mute with the last strike at 9:00 pm and the first at 6:00 am.

CAUTION

Do not mix Old and New batteries. Do not mix Alkaline, and Standard(Carbon - Zinc) or Rechargeable(Nickel - Cadmium) batteries.

TROUBLESHOOTING

Here are a few symptoms that are associated with 'Defective Batteries' or 'Incorrect Installation' and do not indicate that the clock itself is defective:

Problem

Your clock strikes six(6) times on every hour.

Solution

Change the chime section batteries, and set time and chime again by following "SETTING TIME AND CHIME" procedure.

Problem

Your clock starts to chime erratically on every hour.

Solution

Press the Red "Set" Button, the clock will chime, and increase one chime per push, push to the correct chime.

If this method still does not solve the problem, replace the chime battery, and set time and chime again by following the "SETTING TIME AND CHIME" procedure.

Problem

Your clocks chimes are getting quieter and quieter.

Solution

Change the chiming section batteries and turn the volume down to about half way.

Problem

Your clock does not chime at 10 pm.

Solution

Your clock has an Automatic night mute with the last strike at 9pm and the first strike at 6am.

Problem

Can I change when the night mute starts and stops?

Solution

No, this function is not available.

Problem

You clock does not chime during the day.

Solution

Reset the clock according to the "SETTING TIME AND CHIME" procedure.



58mm (2.28")

188mm
(7.40")

510mm (20.08")

410mm (16.15")

280mm (11.02")

1820mm (71.75")

315mm (12.39")

345mm (13.58")

215mm
(8.46")

385mm (15.16")

480mm (18.90")

225mm
(9")

508mm (20")

100mm (3.94")