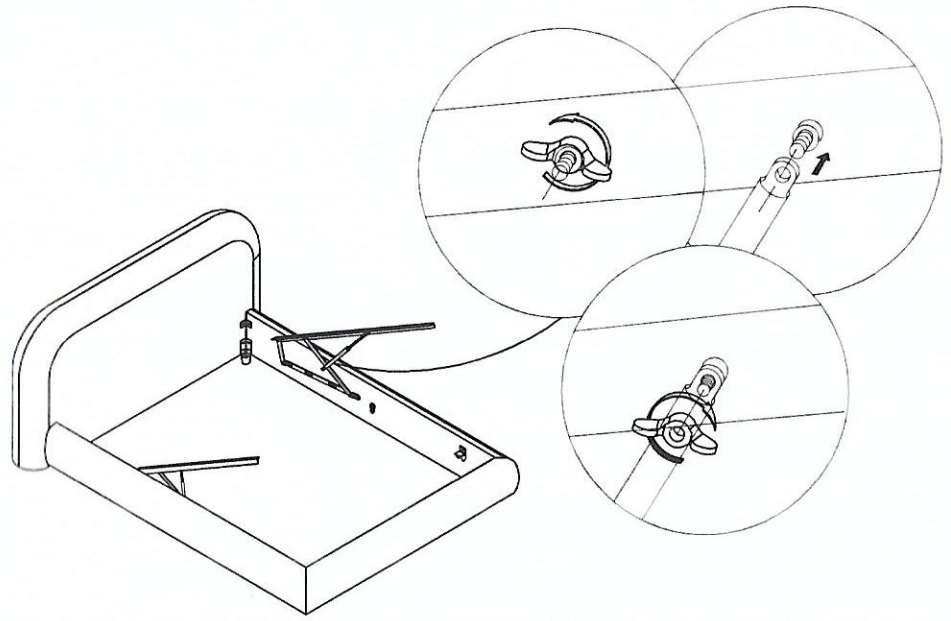
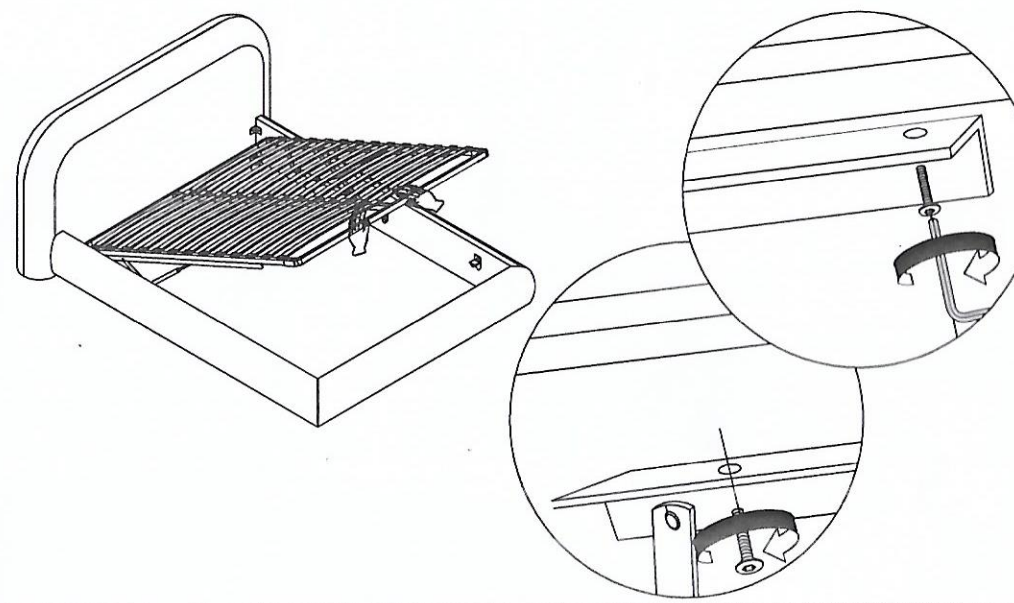


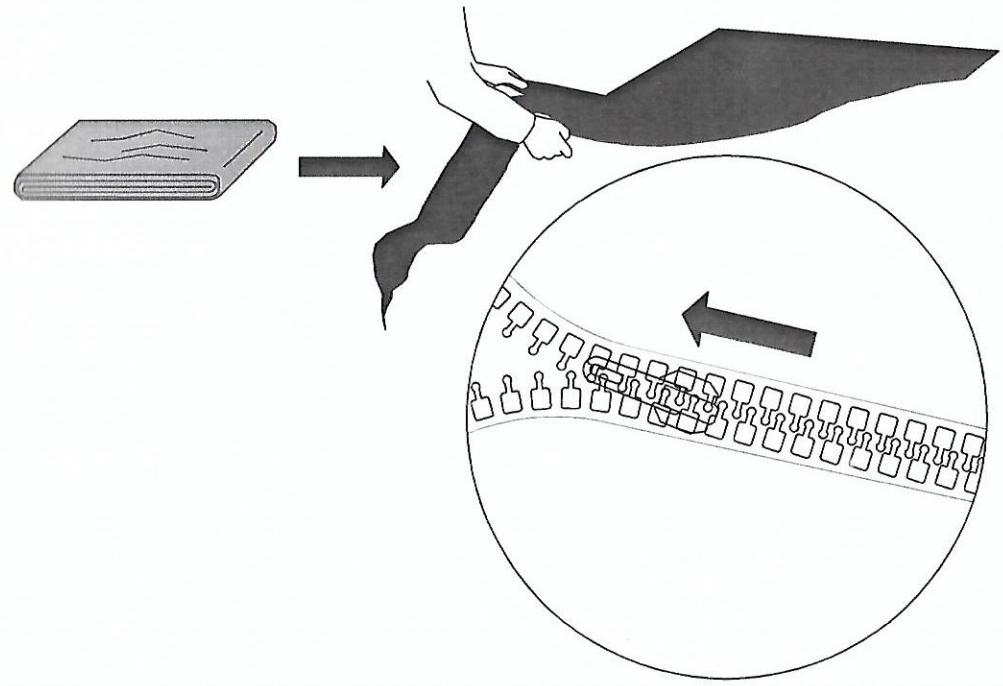
Step 9: Screw off the butterfly nut, put the pneumatic rod on, and screw the butterfly nut back on



Step 10: Lift the slat frame onto the bed frame, then one person hold it and the other person go to under the slat frame and screw 4 of (D) M6x20 Large flat head screws on each end



Step 11: Spread the bed bottom cloth and install it at the bottom the bed with zipper



Step 12: Insert the cross middle rail

