

Upholstered Platform Bed

BU1001-K

# Welcome Guide

---

## IMPORTANT SAFEGUARDS



Read these instructions carefully and retain them for future use. If this product is passed to a third party, then these instructions must be included.

When using the product, basic safety precautions should always be followed to reduce the risk of injury including the following:

- For domestic use only.
- A competent adult must assemble this product.
- Keep children and pets away while assembling up the product.
- Do not let children climb on or play with the product.
- Always use on a firm, level ground.
- Regularly verify that all the components and fasteners (hardware) are secure.
- Do not use this product if any parts are missing, are damaged or worn.
- To avoid scratching the floor, assemble the product on a soft surface, such as a carpet.
- Do not overtighten the fasteners (hardware).
- Regularly examine the product for wear and tear. Replace at first sign of damage or if parts become detached.
- Do not use power tools to assemble the product. Power tools may strip or damage the parts.
- Do not walk, stand or jump on the product.
- The product is intended for 2 users up to 250 lbs (110 kg) each.

## IMPORTANT, RETAIN FOR FUTURE REFERENCE: READ CAREFULLY

### Before First Use

- Check for transport damages.

**⚠ DANGER** **Risk of suffocation!** Keep any packaging materials away from children – these materials are a potential source of danger, e.g. suffocation.

# Cleaning and Maintenance

## Cleaning

- To clean, wipe with a soft, slightly moist cloth.
- Never use corrosive detergents, wire brushes, abrasive scourers, metal or sharp utensils to clean the product.

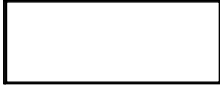


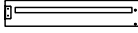






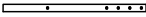
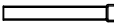





## Maintenance

- Check the components regularly to make sure all screws and bolts are tightened.
- Avoid any vibrations and shocks.

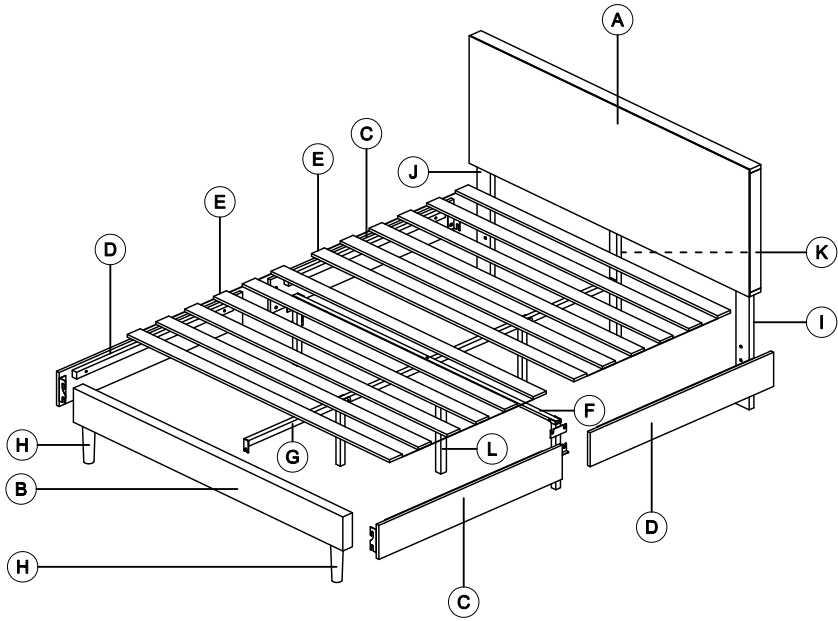
# Specifications

	Net weight	Dimensions (W x H x D)
BU1001-K	approx. 88.7 lbs( 40.3 kg)	approx. 2086x1210x2005mm (82.1x47.6x78.9 in)

# Contents

A		x1	B		x1
C		x2	D		x2
E		x2	F		x1
G		x1	H		x2
I		x1	J		x1
K		x1	L		x1
1		x6	2		x1
3		x6	4		x1
5		x3			

# Assembly

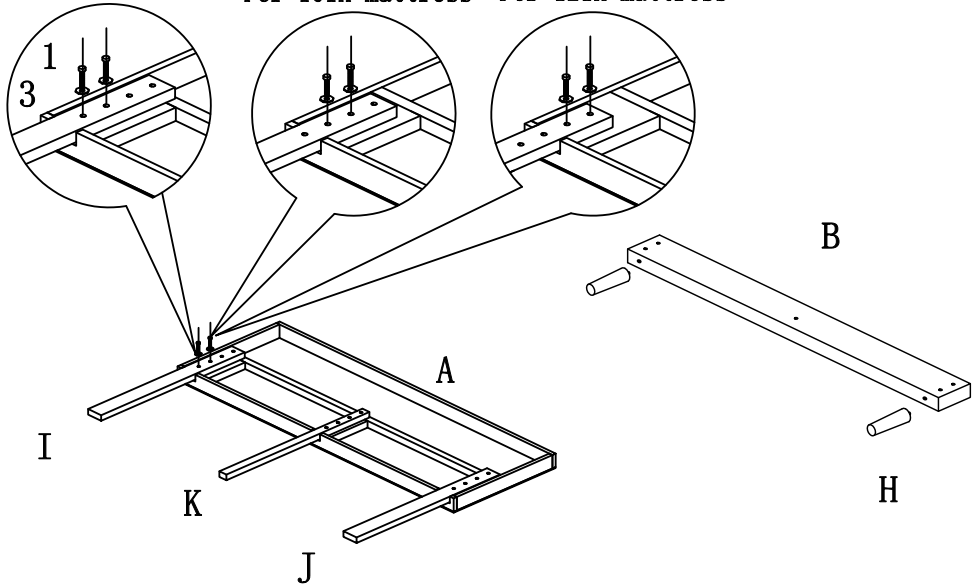


## 1:

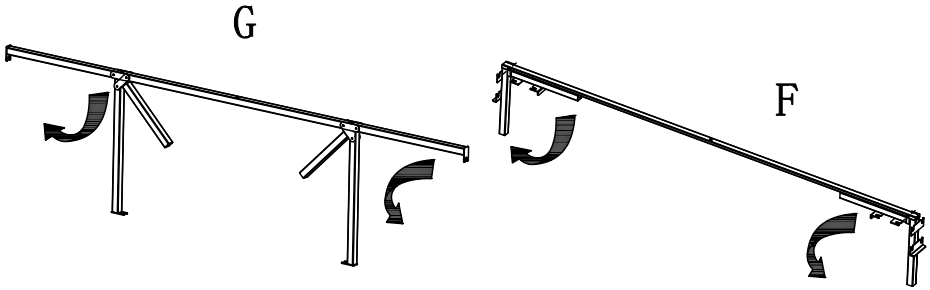
For 8in mattress

For 10in mattress

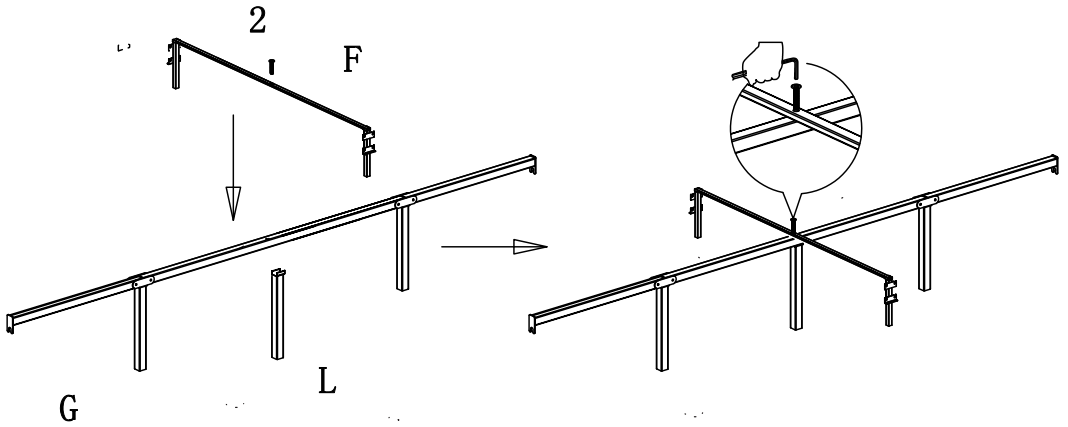
For 12in mattress



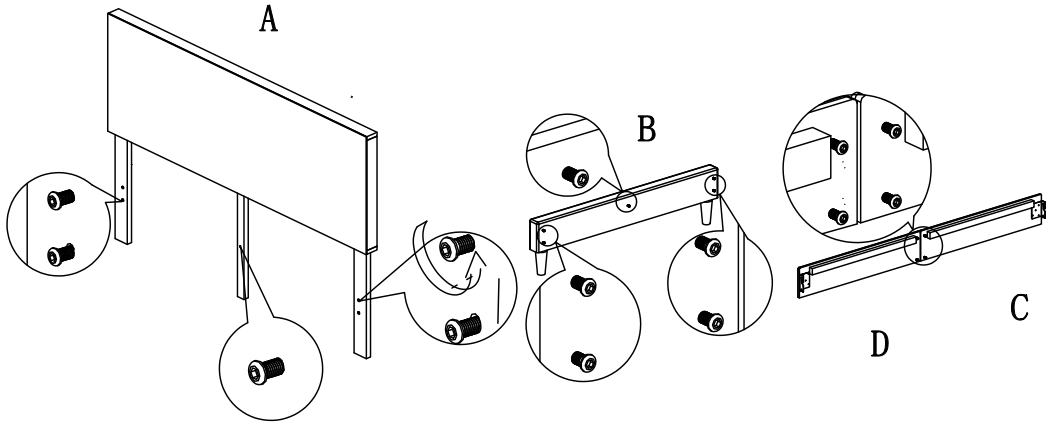
2:



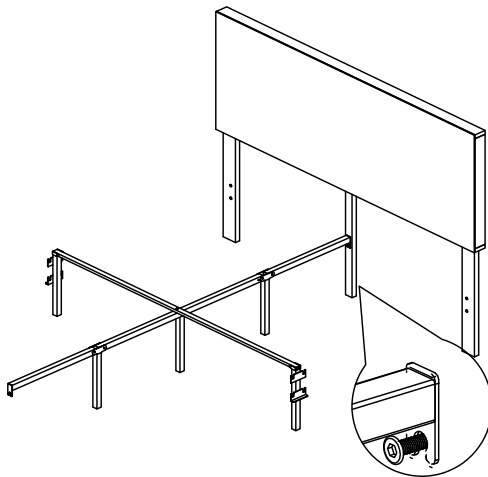
3:



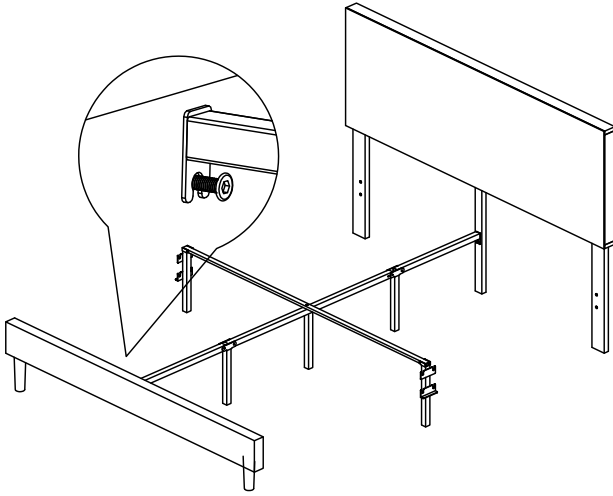
4:



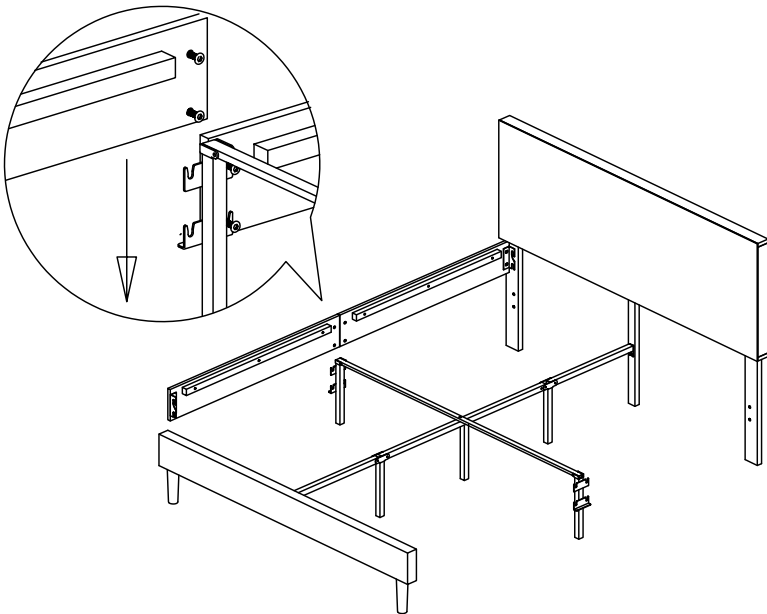
5:



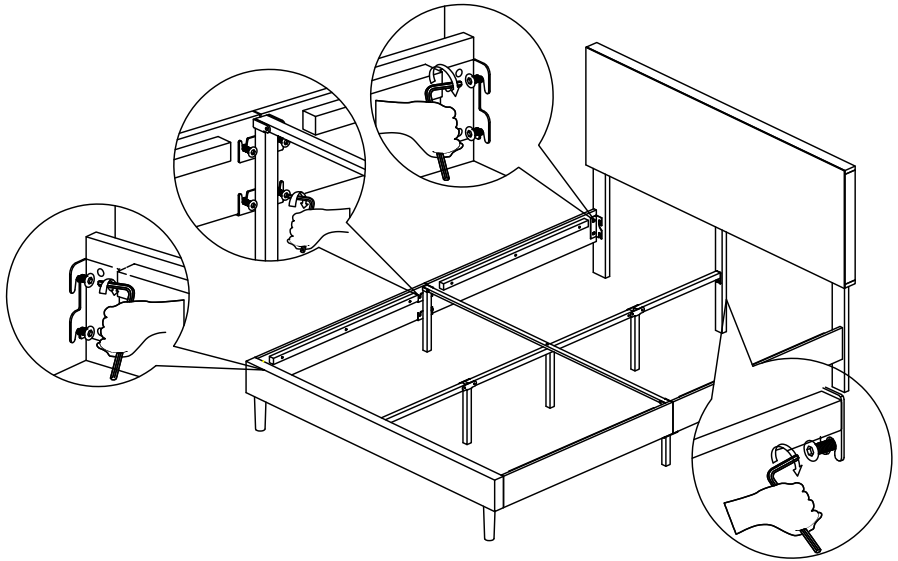
6:



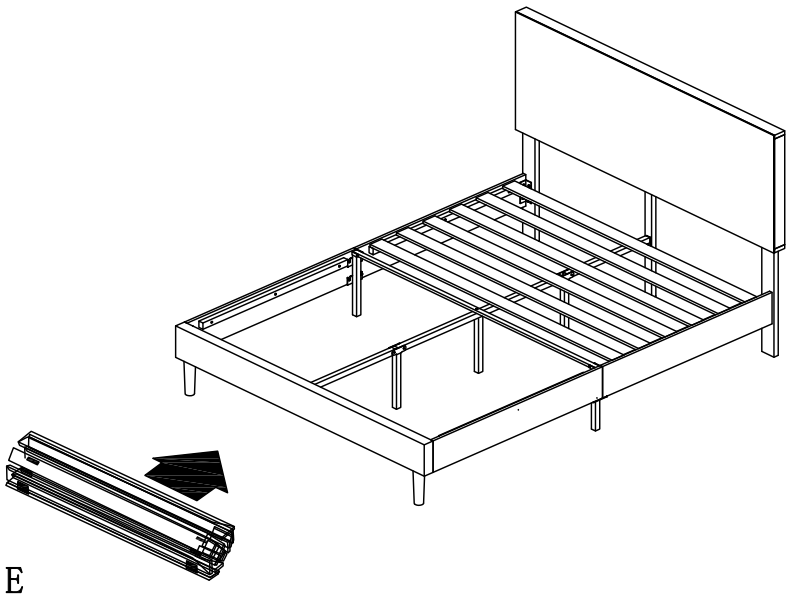
7:



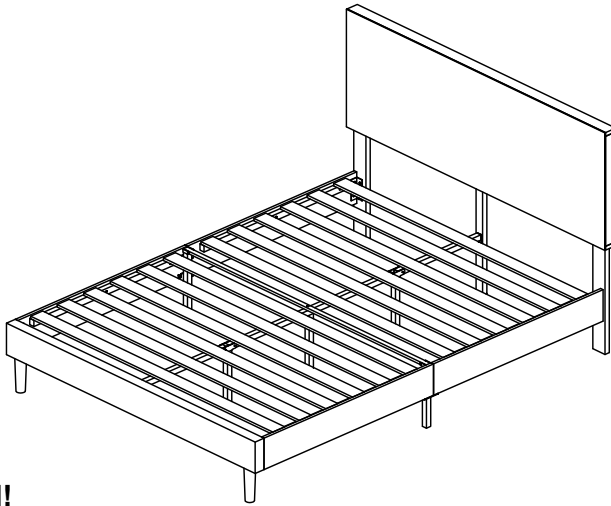
8:



9:



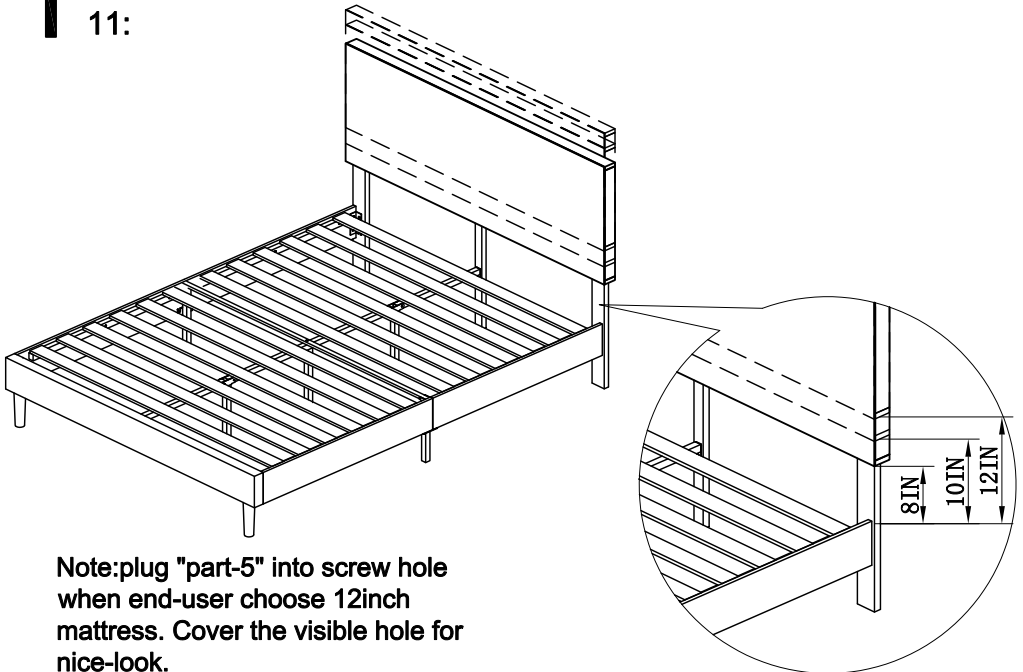
10:



**ATTENTION!**

When moving the assembled bed frame, please lift it up completely. Sliding the assembled bed frame directly will damage the bed support legs.

11:



Note: plug "part-5" into screw hole when end-user choose 12inch mattress. Cover the visible hole for nice-look.