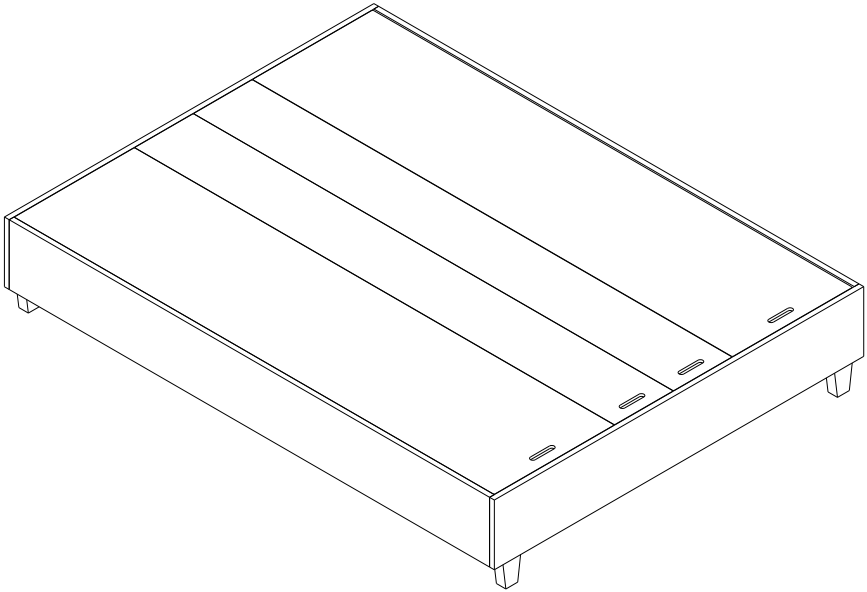
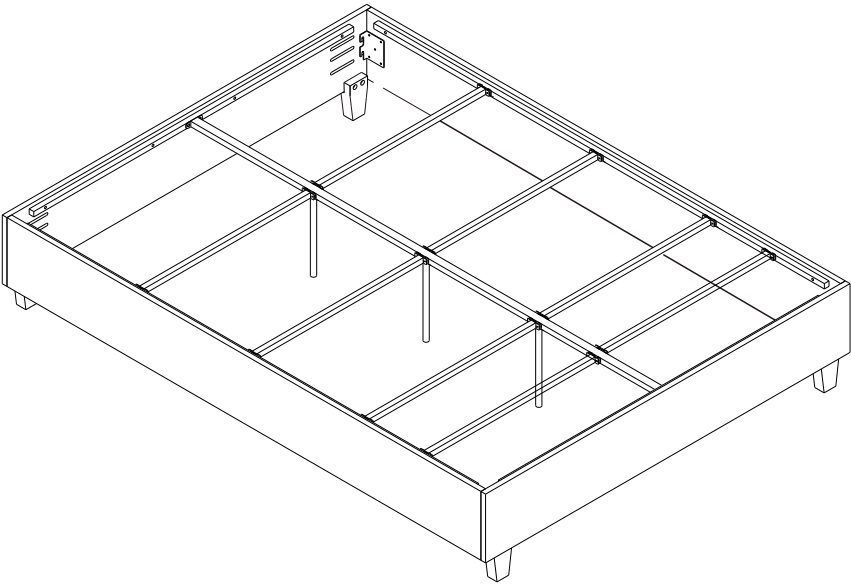


14" Bed Frame with 4" Leg (with or without deck) Assembly Instructions



14" Bed Frame with 4" Leg (with or without deck) Assembly Instructions

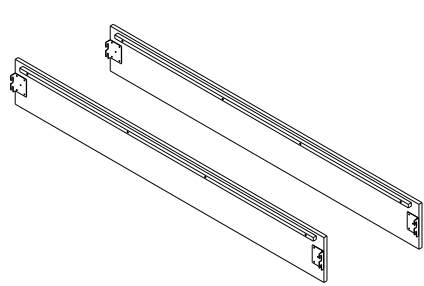
NOTE: Unbox and place all parts on a clean and smooth surface (rug, carpet) to avoid the parts from being scratched.

NOTE: Follow assembly instructions step by step.

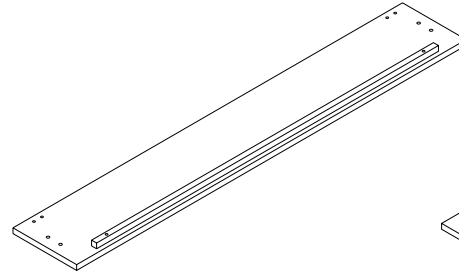
NOTE: This frame comes in 1 box. (2 boxes if deck is included)

14" Bed Frame with 4" Leg (with or without deck) Assembly Instructions

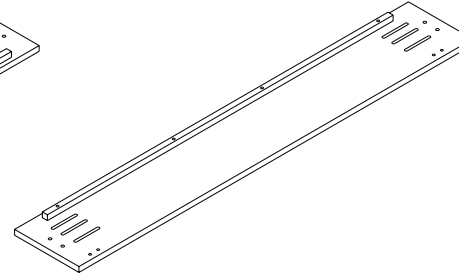
PART LIST:



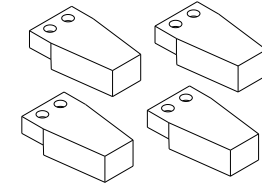
1 Siderails x 2



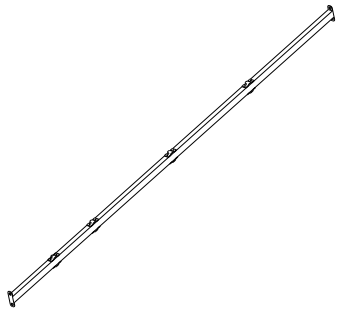
2 Footboard x 1



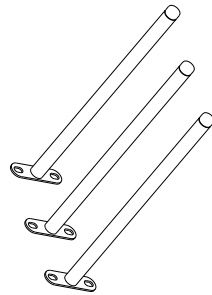
3 Backboard x 1



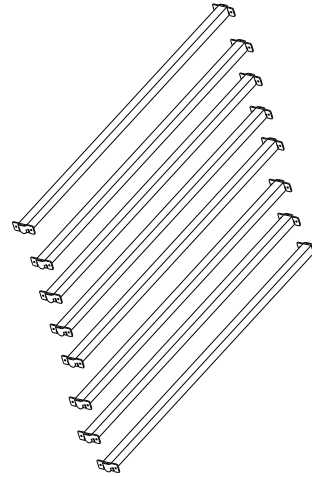
4 Leg x 4



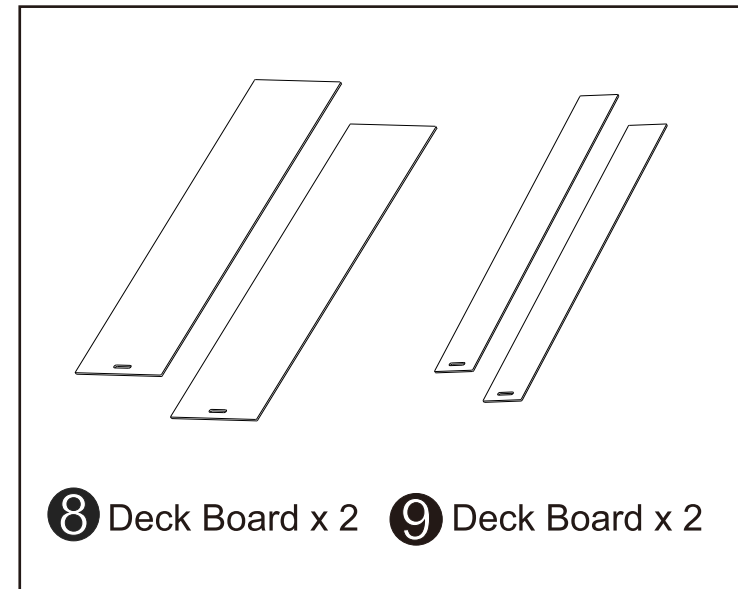
5 Center Support x 1



6 Center Support Leg x 3



7 Support Bars x 8







8 Deck Board x 2 **9** Deck Board x 2





*Decks come in additional box, if frame was ordered with solid deck.

14" Bed Frame with 4" Leg (with or without deck) Assembly Instructions

Hardware List:

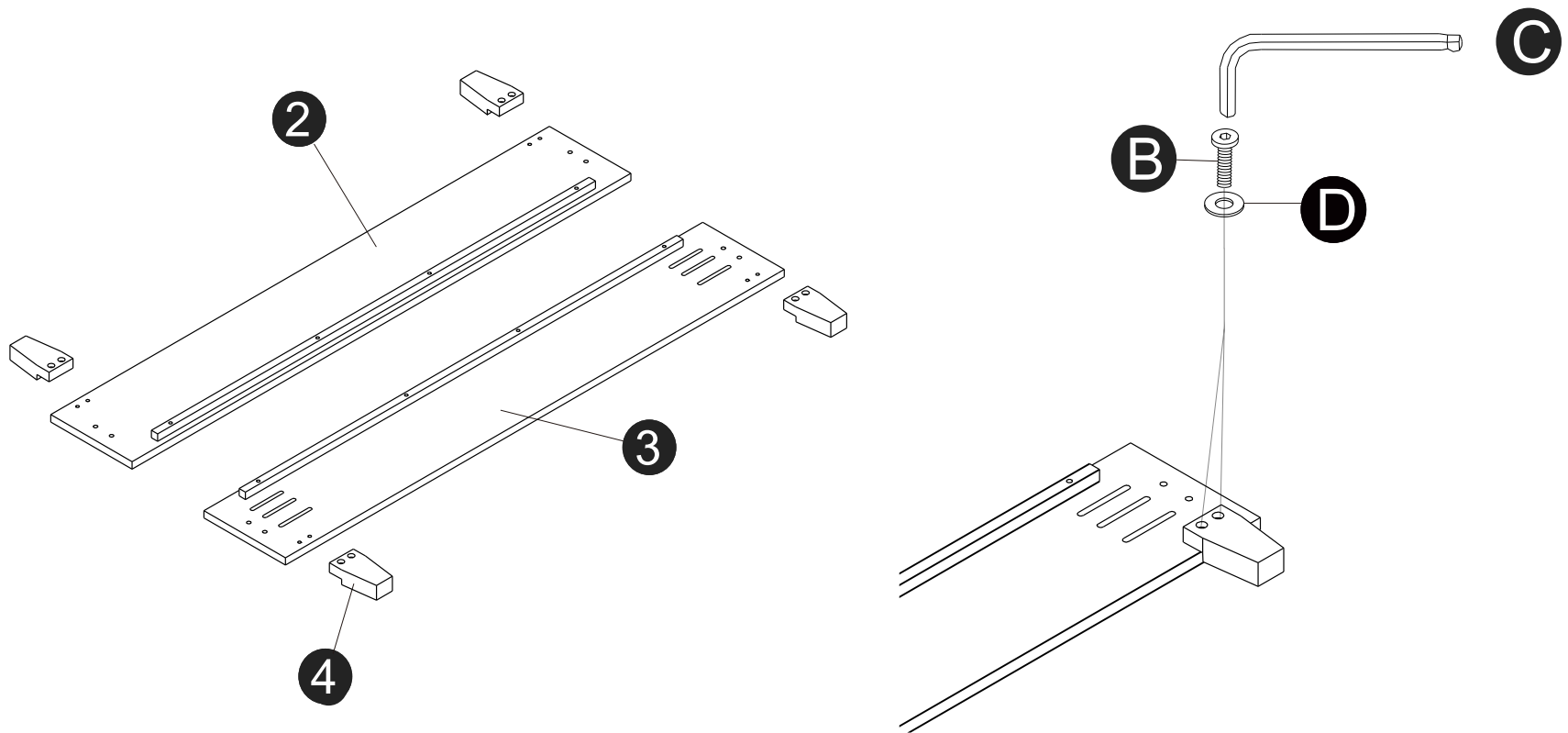
Part #	Image	Description	QTY	Part #	Image	Description	QTY
A		1-1/2" Bolt	10	C		Allen Wrench	1
B		2" Bolt	8	D		3/4" Washer	8

Additional Included Hardware (to attach a bolt on headboard)

Part #	Image	Description	QTY	Part #	Image	Description	QTY
F		2-3/4" Bolt	4	H		Nut	4
G		Wrench	1	I		13/16" Washer	8

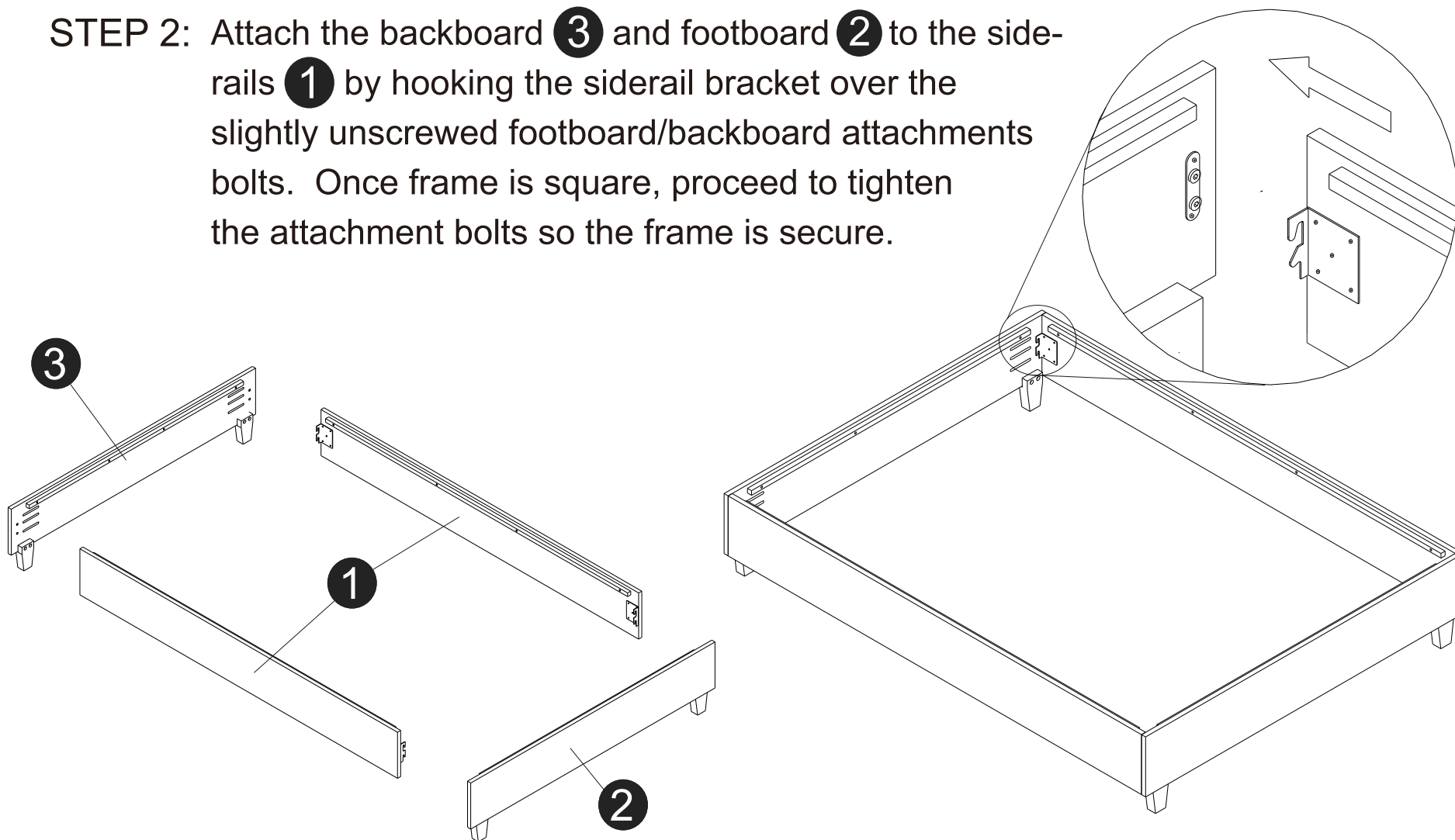
14" Bed Frame with 4" Leg (with or without deck) Assembly Instructions

STEP 1: Attach the 4- wooden feet **4** to the backboard **3** and footboard **2** using allen wrench **C**, attach each leg using 2 of the bolt **B** and 2 of the washer **D**.



14" Bed Frame with 4" Leg (with or without deck) Assembly Instructions

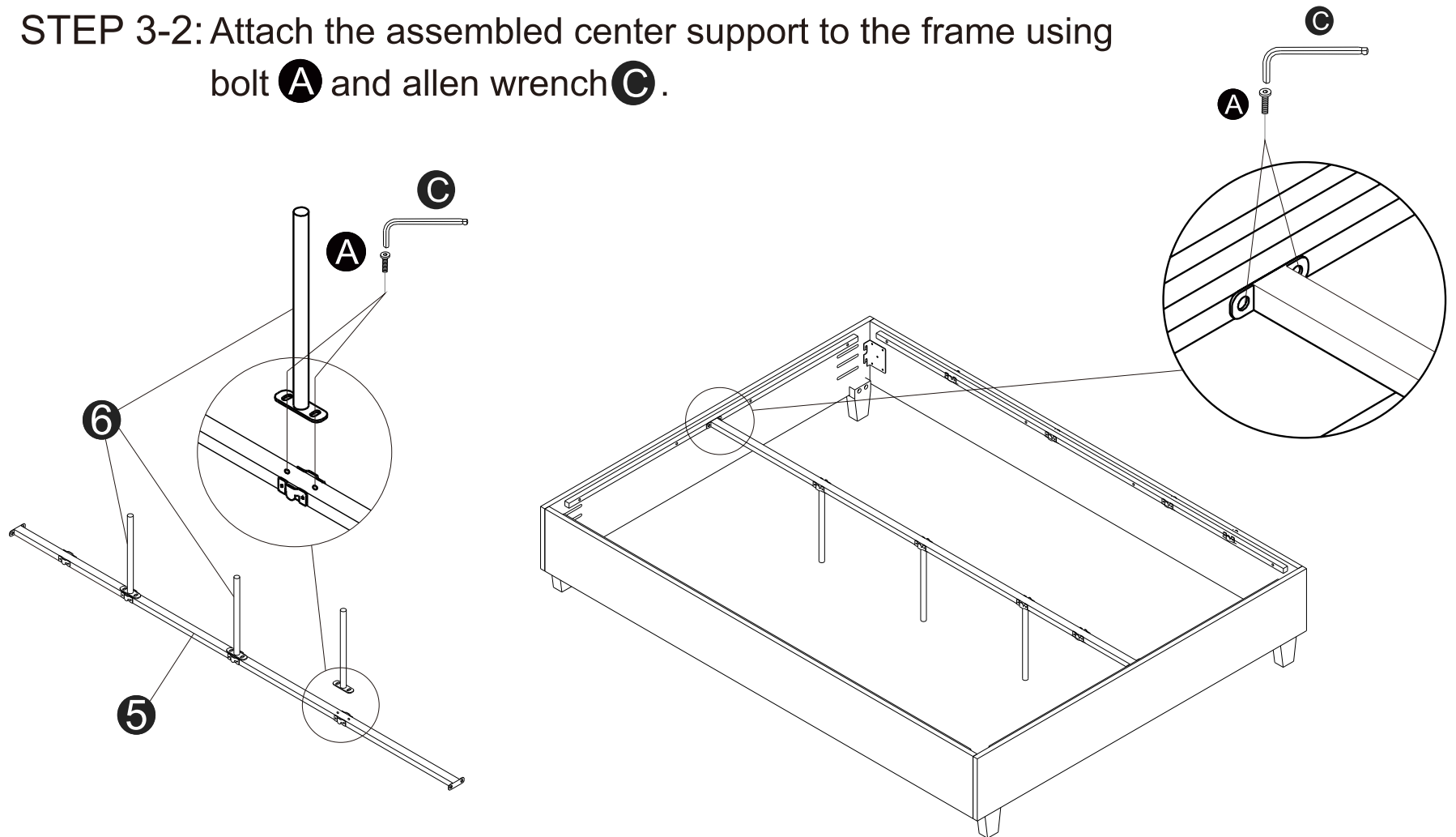
STEP 2: Attach the backboard **3** and footboard **2** to the siderails **1** by hooking the siderail bracket over the slightly unscrewed footboard/backboard attachments bolts. Once frame is square, proceed to tighten the attachment bolts so the frame is secure.



14" Bed Frame with 4" Leg (with or without deck) Assembly Instructions

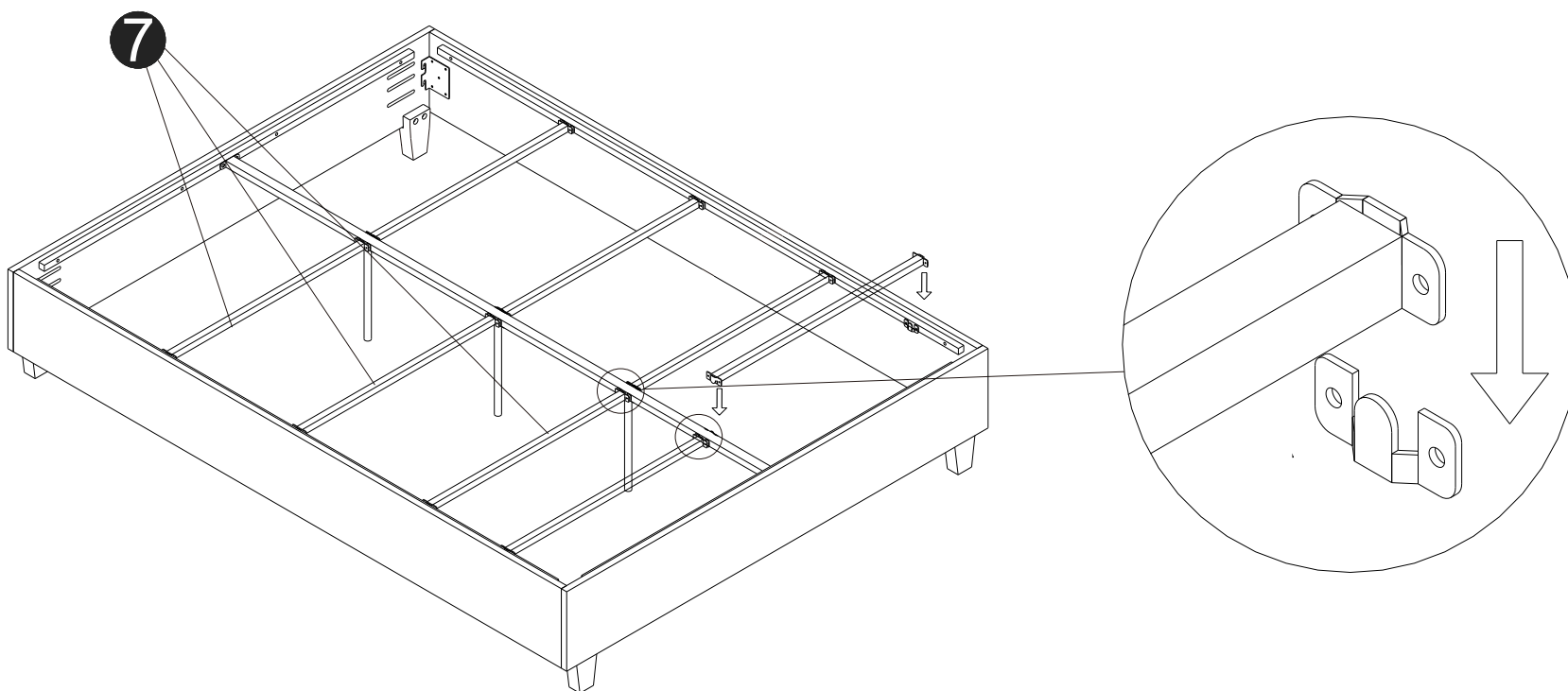
STEP 3-1: Attach the 3- center support legs **6** to the underside of the center support bar **5** using bolts **A** and allen wrench **C**

STEP 3-2: Attach the assembled center support to the frame using bolt **A** and allen wrench **C**.



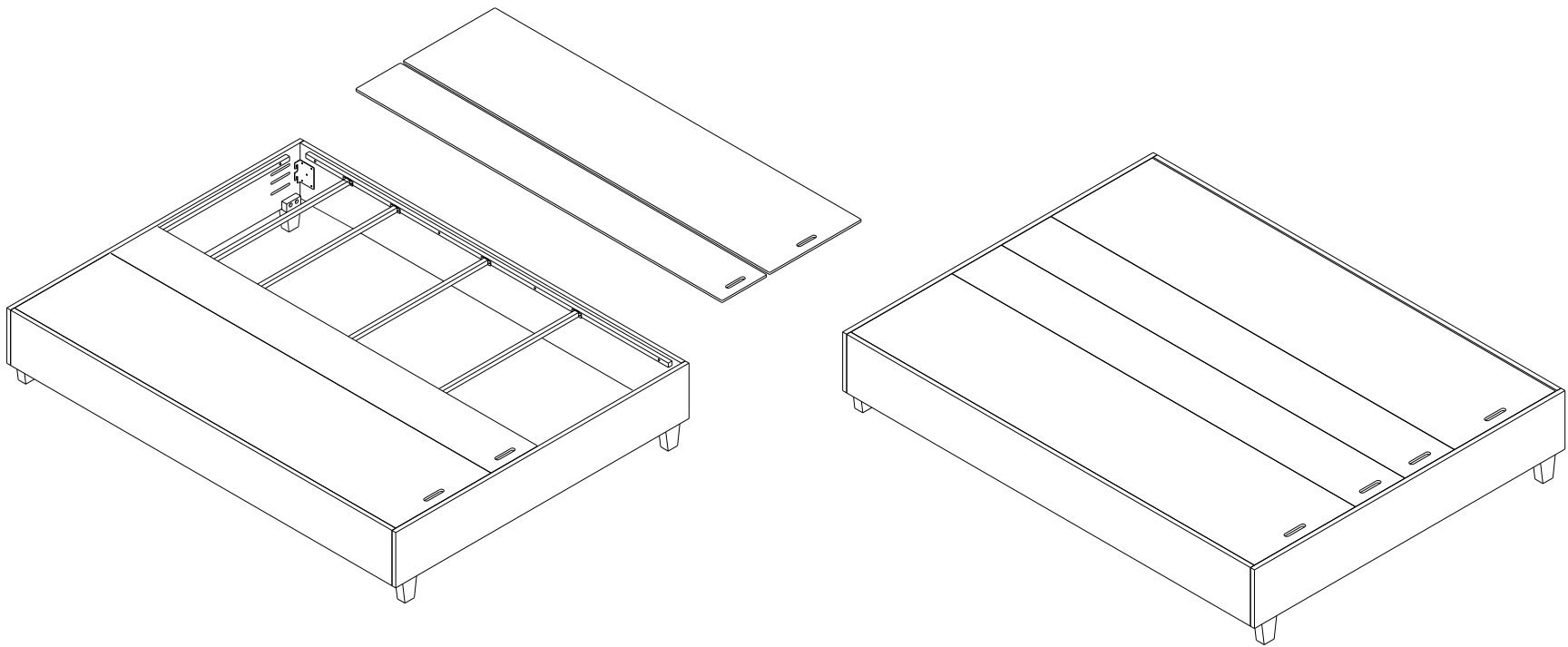
14" Bed Frame with 4" Leg (with or without deck) Assembly Instructions

STEP 4: Complete the internal support system for the frame by sliding in the 8 cross supports **7**



14" Bed Frame with 4" Leg (with or without deck) Assembly Instructions

STEP 5: If your frame included a deck kit, place the deck kit on top of the frame with the smaller deck pieces in the middle.



14" Bed Frame with 4" Leg (with or without deck) Assembly Instructions

IF USED WITH AN ADJUSTABLE BED FRAME:

When considering use in conjunction with an adjustable bed frame, it's important to note that due to variations in dimensions among adjustable frames, there is a possibility that the cleats on the interior of the frame may come into contact with the adjustable mechanism. To address this potential issue, you can easily remove the cleats from the siderails, footboard, and backboard by simply unscrewing them.

