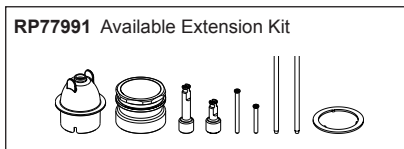
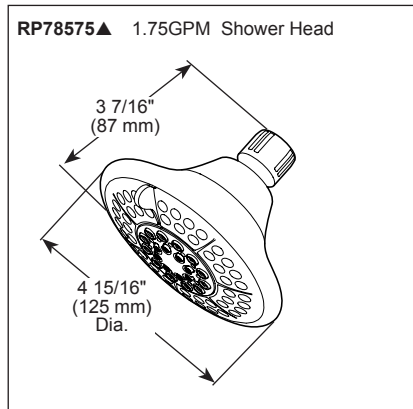
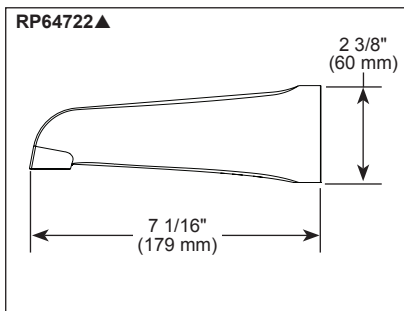
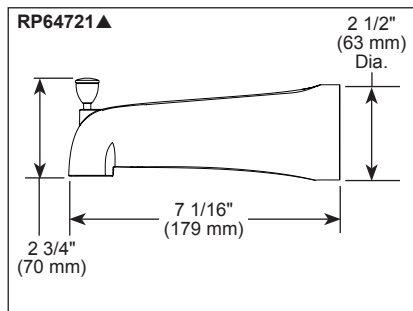
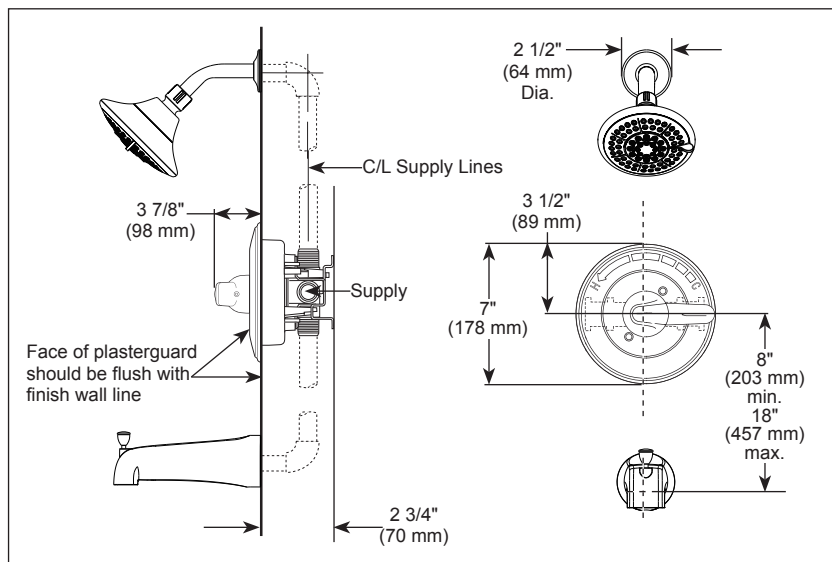


BT13211-▲

BT13411-▲



▲ Designate proper finish suffix

Delta Faucet Company reserves the right (1) to make changes in specifications and materials, and (2) to change or discontinue models, both without notice or obligation. Dimensions are for reference only. See current full-line price book or www.deltafaucet.com for finish options and product availability.

DSP-B-BT13211 Rev. A



see what Delta can do™

TUB AND SHOWER FAUCET TRIM

- Foundations® Bath Collection
- Shower Only (BT13211 Series)
- Tub/Shower (BT13411 Series)

FEATURES:

- Monitor® 13 Series pressure balanced bath mixing valve trim
- Touch-Clean® Spray Holes

STANDARD SPECIFICATIONS

- Multi-function shower head - max flow rate 1.75 gpm @ 80 psi, 6.6 L/min @ 550 kPa
- Maintains a balanced pressure of hot and cold water even when a valve is turned on or off elsewhere in the system
- For use with MultiChoice® Universal rough valve body (R10000 Series)
- Back-to-back installation capability
- Temperature only controlled with handle
- Field adjustable means to limit handle rotation into hot water zone
- 120° - maximum handle rotation
- All parts replaceable from the front of the valve
- Slip-on tub spout
- 5 Shower head spray settings include: Full Spray, Massage Spray, Shampoo Rinse Spray, Full body with massage Spray & Pause. Pause is a non-positive shut-off.
- Stem extension kit RP77991 can be ordered to allow for an additional 1 3/4" wall thickness. RP77991 ships with chrome escutcheon screws. For special finishes also order RP12630▲ escutcheon screws in desired finish.

WARRANTY

- Parts and Finish - Lifetime limited warranty; or for commercial purchasers, 10 years for multi-family residential (apartments and condominiums) and 5 years for all other commercial uses, in each case from the date the product is received by the original purchaser or their authorized representative (installation contractor, etc.).
- Please go to www.deltafaucet.com for the complete details of our limited warranty.



COMPLIES WITH:

- ASME A112.18.1 / CSA B125.1
- ASSE 1016 / ASME A112.1016 / CSA B125.16
- EPA WaterSense®
- ICC/ANSI A117.1 - Valve control only

Delta Faucet Company

55 E. 111th Street, Carmel, IN 46280
 350 South Edgeware Road, St. Thomas, ON N5P 4L1
 © 2025 Delta Faucet Company