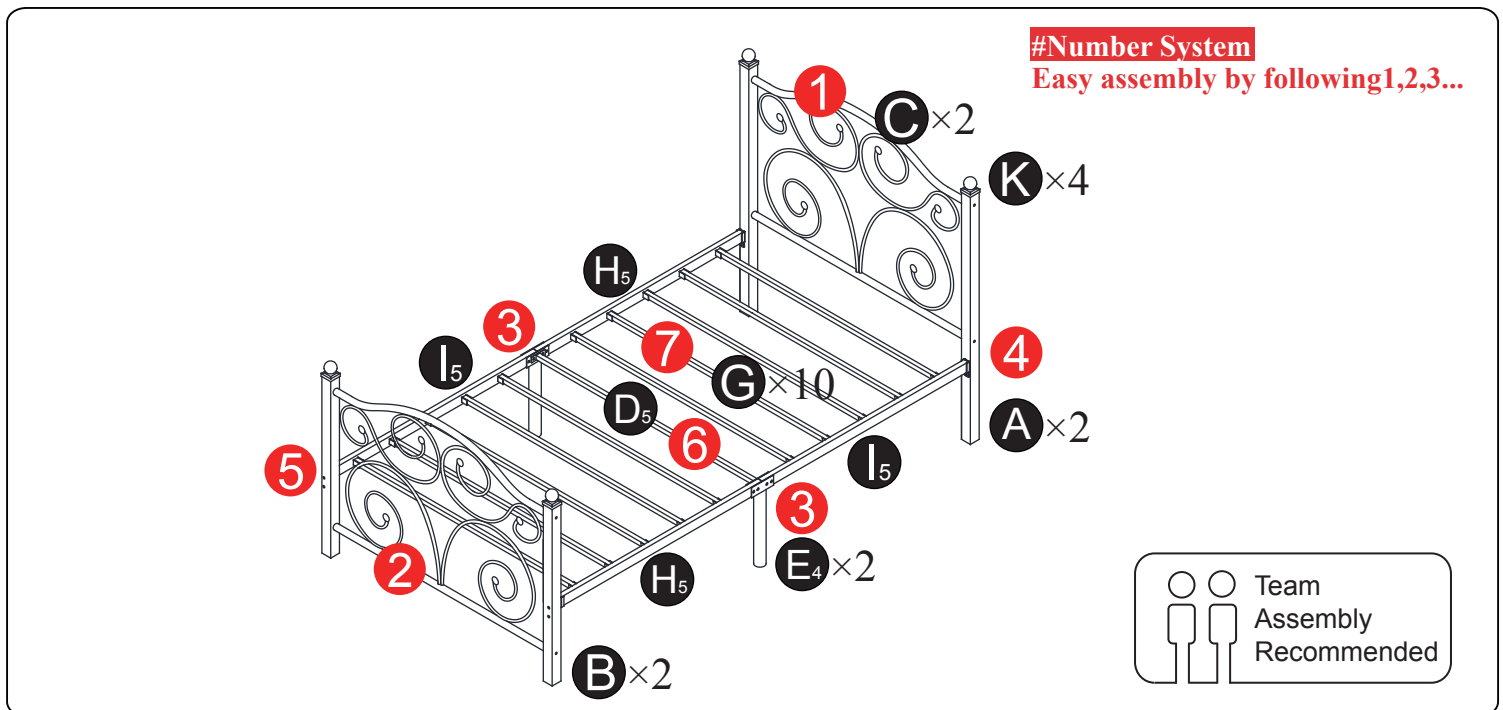


Bed Frame Installation Manual



Componets		Screws & Tools		
	A x2	①	M8x50mm	x8
	B x2	②	M8x35mm	x8
	C x2	③	M6x60mm	x8
	D ₅ x1	④	M6x15mm	x4
	E ₄ x2	⑤		x16
	G x10	⑥	M8	x12
	H ₅ x2	⑦	M5	x1
	I ₅ x2	⑧	M13/M10	x1
	K x4			

Check all the components & screws before assembly. Do not install in case part is missing, contact us to get. Send email with your question to support@vecelo.com. We will resend within 24 hours.

① Headboard assembly

Note:
In this step, please do not tighten the screws(③) up

Holes should be outside

② Footboard assembly

Note:
In this step, please do not tighten the screws(③) up

Holes should be outside

3 Connect **E₄** to **H₅** & **I₅**

	2x4		4x4
	6x4		

4 Connect **H₅** & **I₅** to headboard

	1x4
	5x4
	6x2

5 Connect **H₅** & **I₅** to footboard

	1x4
	5x4
	6x2

6 Connect **D₅** to **E₄**

	2x4
	6x4

Note:
In this step, please do not tighten the screws (2) up

7 Assemble bed slats

Note:
If the bed slats can not be inserted easily, loosen the screws (step 1 2 6)

8 Check and tighten all screws

CAUTIONS!

