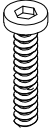



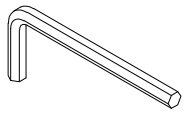
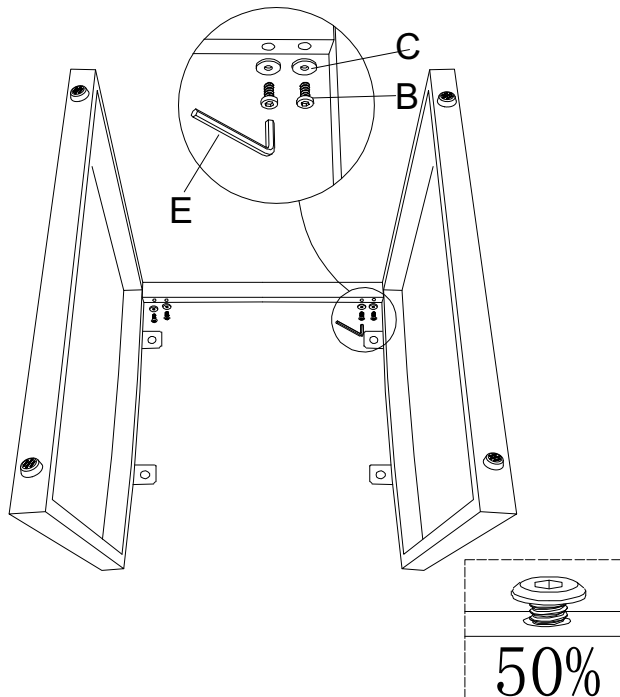


ASSEMBLY INSTRUCTION

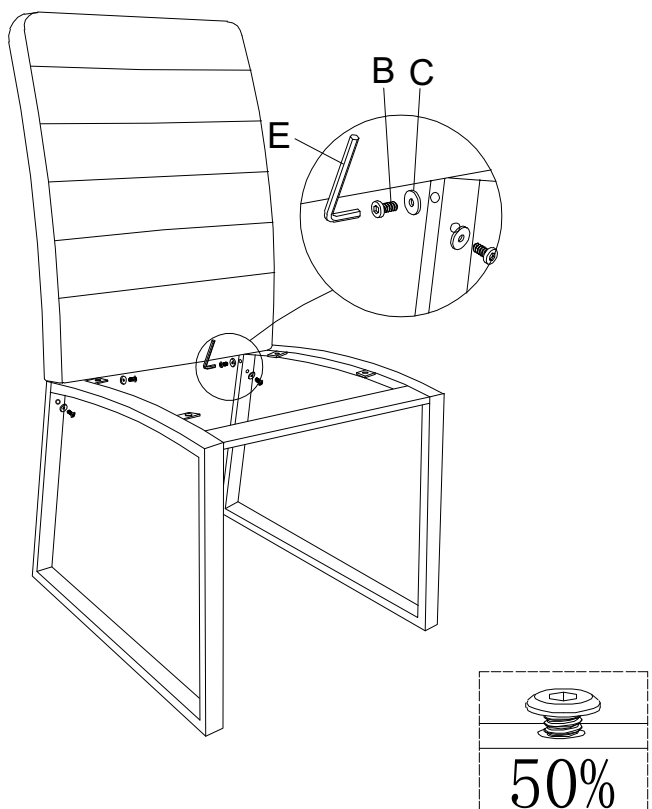
<p>A</p>  <p>M6x20 x4</p>	<p>B</p>  <p>M6x8 x8</p>	<p>C</p>  <p>6x14 x8</p>	<p>D</p>  <p>6x16 x4</p>	<p>E</p>  <p>M5 x1</p>
---	--	--	--	--

1

Don't tighten the screws yet.

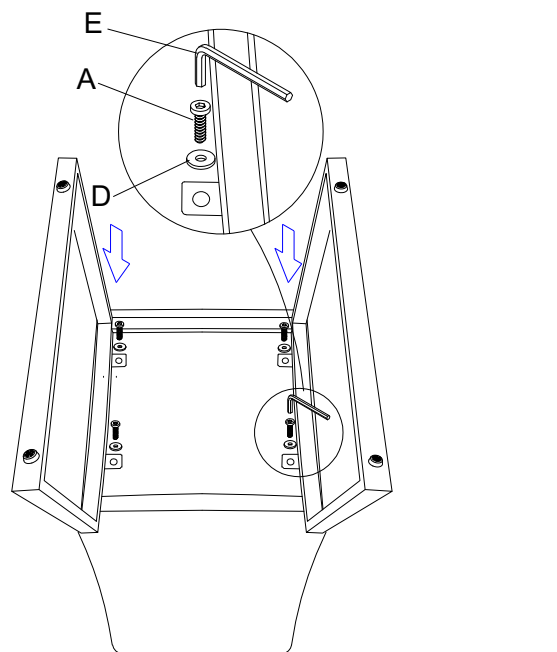


2



3

Turn the chair frame upside down. Align the seat cushion with the frame, then firmly push it toward the backrest until the mounting holes are fully matched. Securely tighten the screws in order.



4

