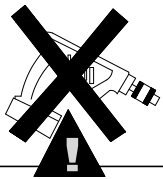
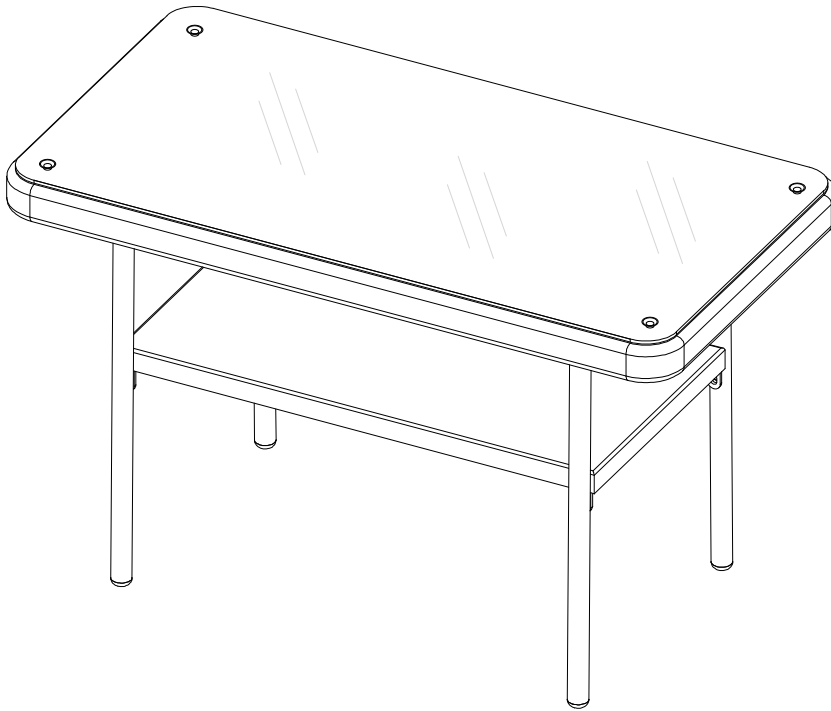
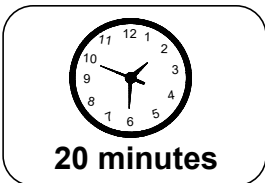
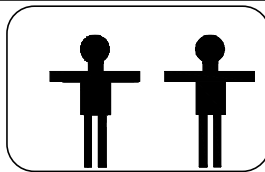


ASSEMBLY INSTRUCTIONS

COCKTAIL TABLE-TALL

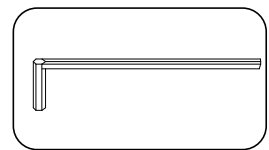


. Use of power tool to assemble this product will invalidate any claim and damage this product making it unsafe!!!
. Please assemble on a clean soft surface to avoid damage.

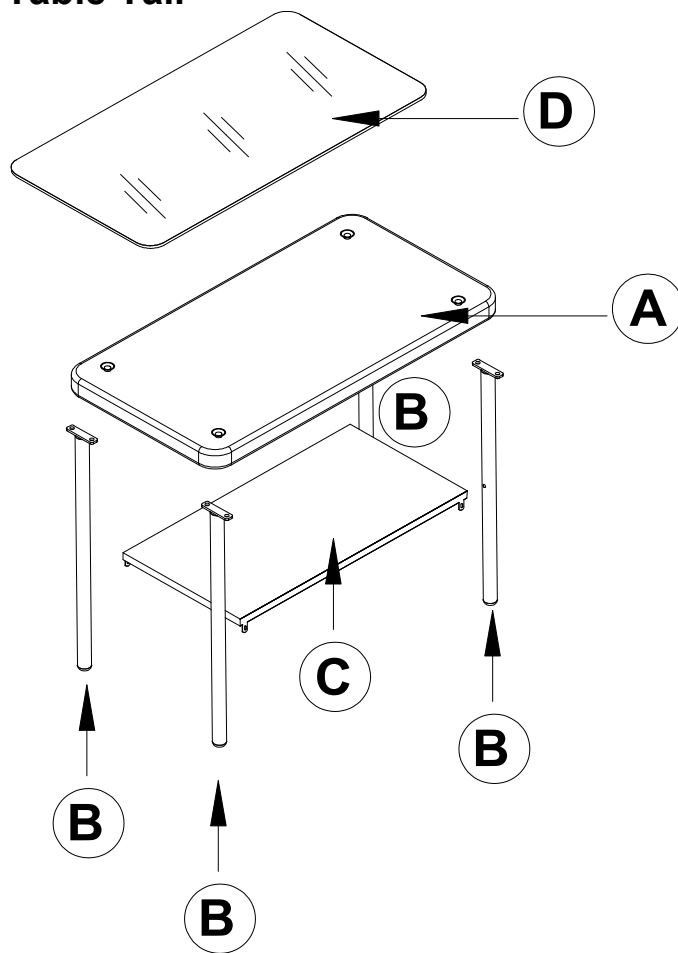


20 minutes

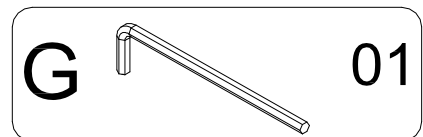
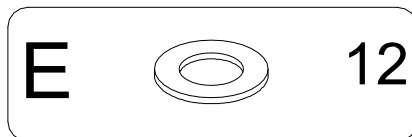
Tool Included



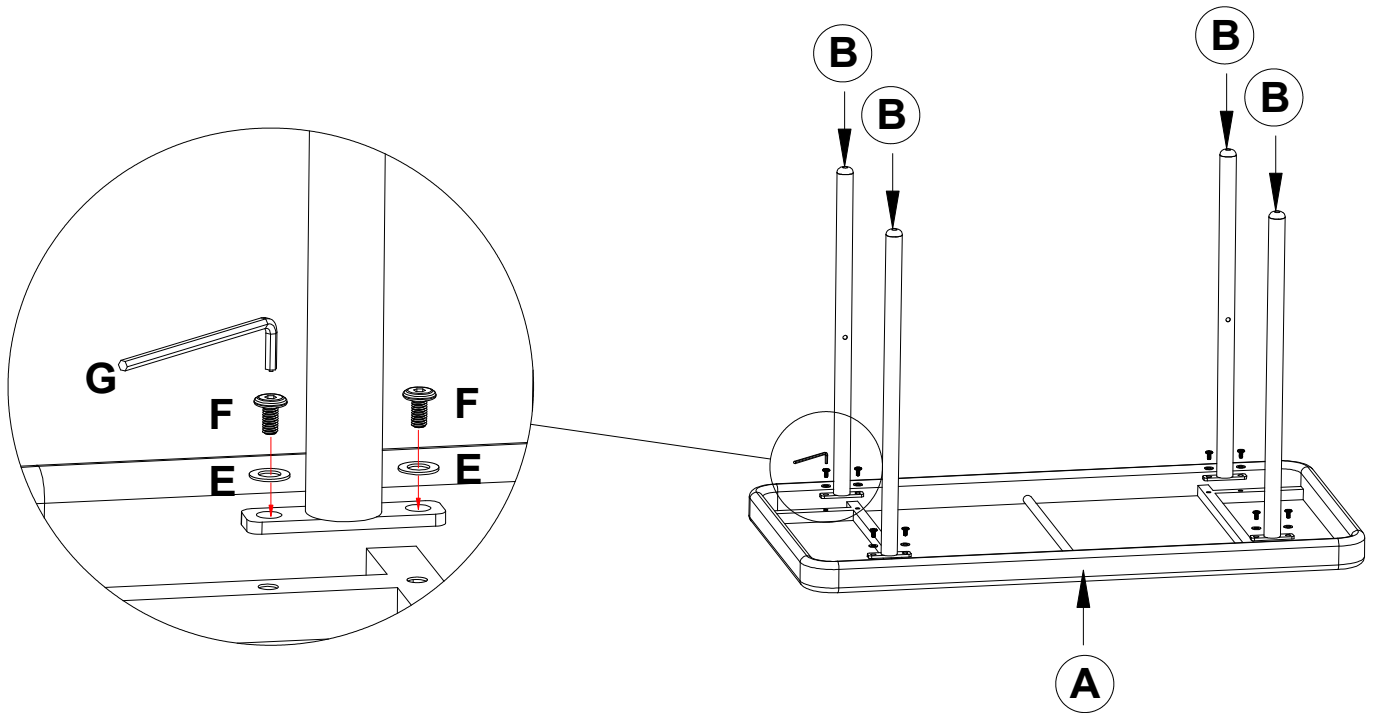
Part List- Cocktail Table Tall



Identifying the hardware-Identify the hardware using the illustrations below.



STEP 1



STEP 2

