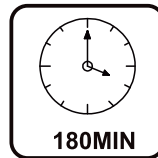
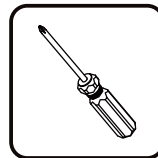
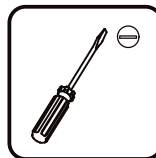
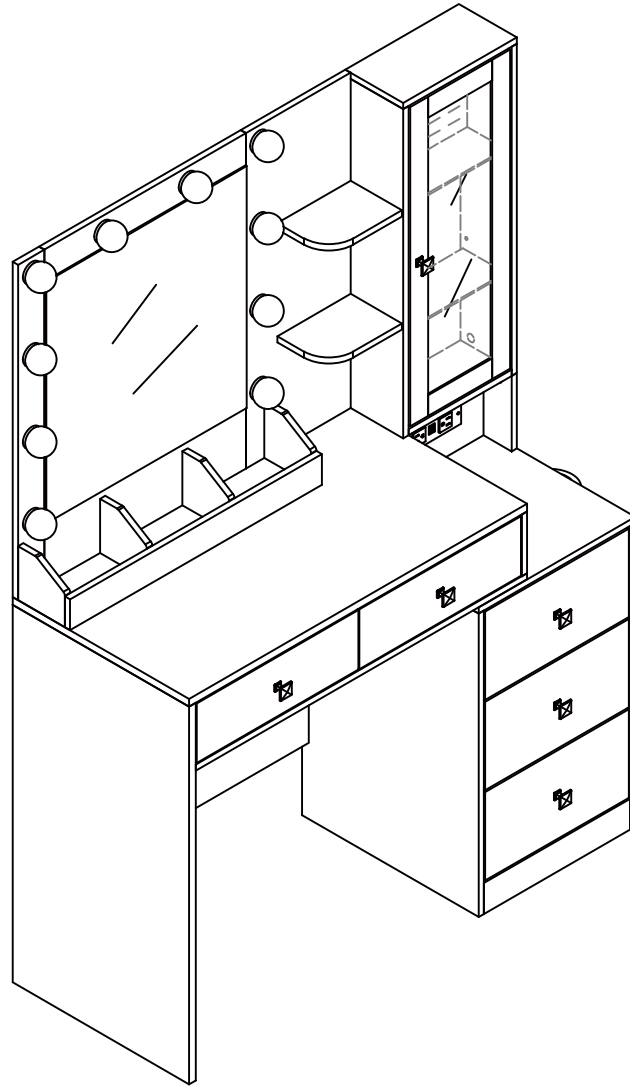


Installation & Assembly



EN_IMPORTANT, RETAIN FOR FUTURE REFERENCE: READ CAREFULLY.

. THANK YOU FOR PURCHASE! .

FREE REPLACEMENT PARTS AVAILABLE!



If you're experiencing any issues—whether due to shipping, assembly, or any other reason
—we're here to help.

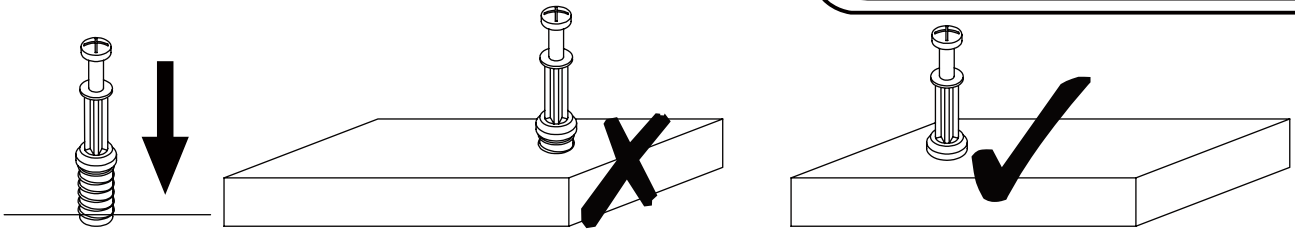
For any damaged or missing components, we're happy to provide FREE replacement parts.

WANT TO CONTACT US

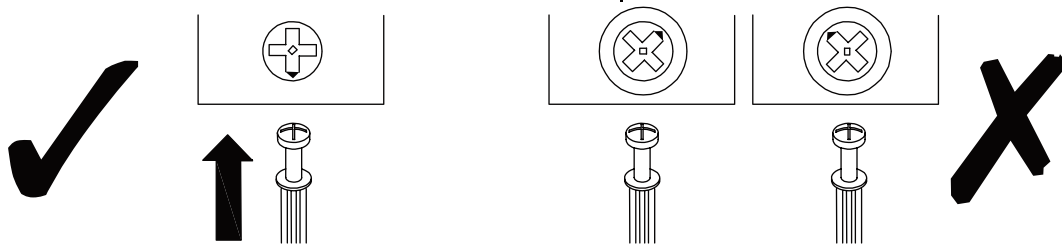
- ▶ Log in to your account.
- ▶ Go to “Your Orders” and locate your furniture order.
- ▶ Click on “Get Help with Order” to send us a message directly.

Our customer support team is ready to assist you and we will respond within
12-24 HOURS to resolve your concerns quickly!

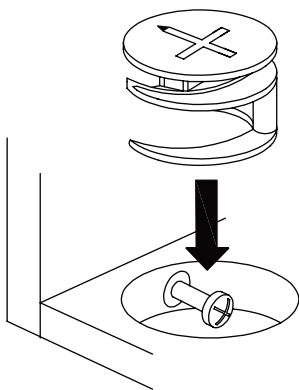
USING CAM LOCK AND QUICKFIT



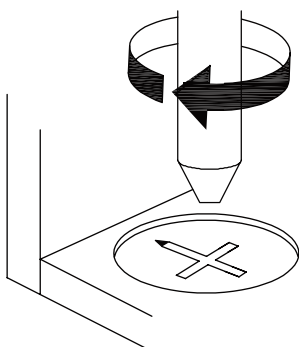
EN_QUICKFIT: Tighten quickfit until shoulder is flush with panel. Do not overtighten or undertighten.



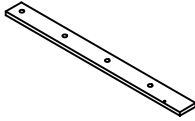
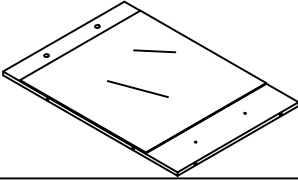
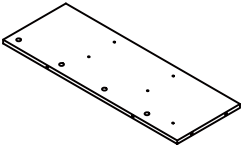

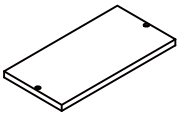
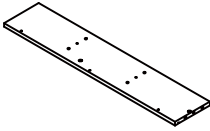
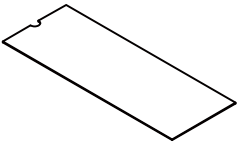
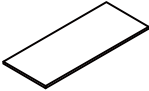
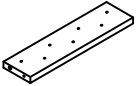
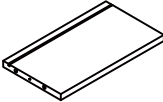
EN_CAM LOCK: When fitting cam lock, ensure starting position is correct before you insert connecting quickfit.

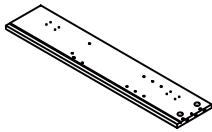


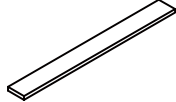
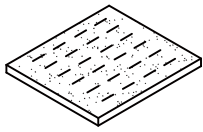
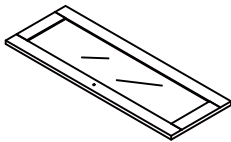
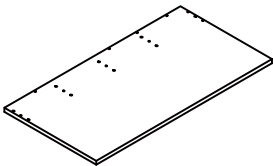
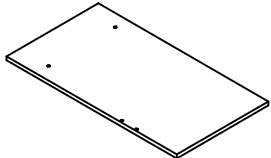
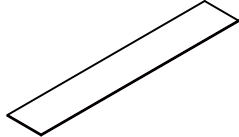
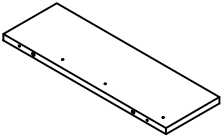


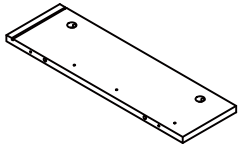
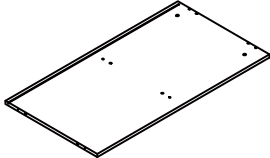
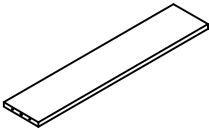
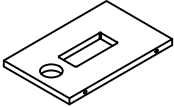
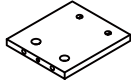
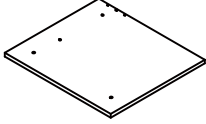
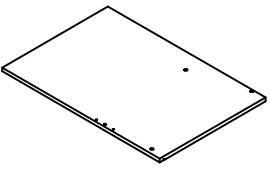
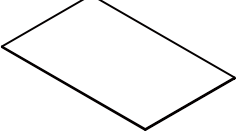
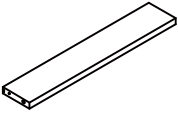
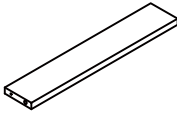
EN_Quickfit head should be in the centre of the cam lock when the two panels are joined.
Cam lock should be inserted before quickfit.

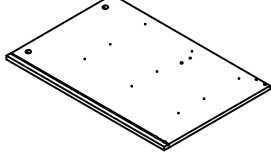
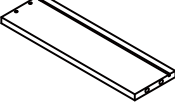
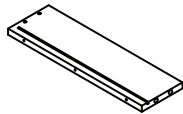
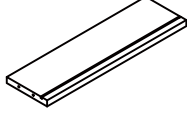
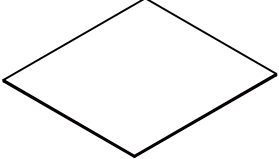
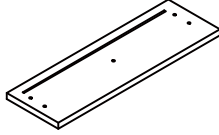
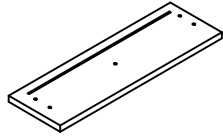
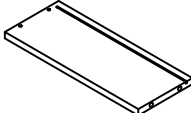
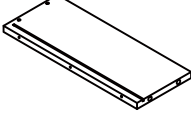
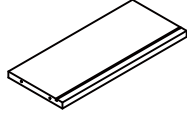


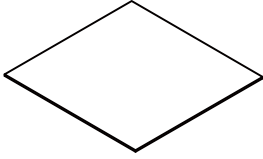
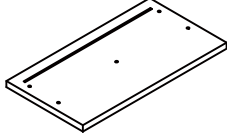

EN_Turn cam lock clockwise to tighten.

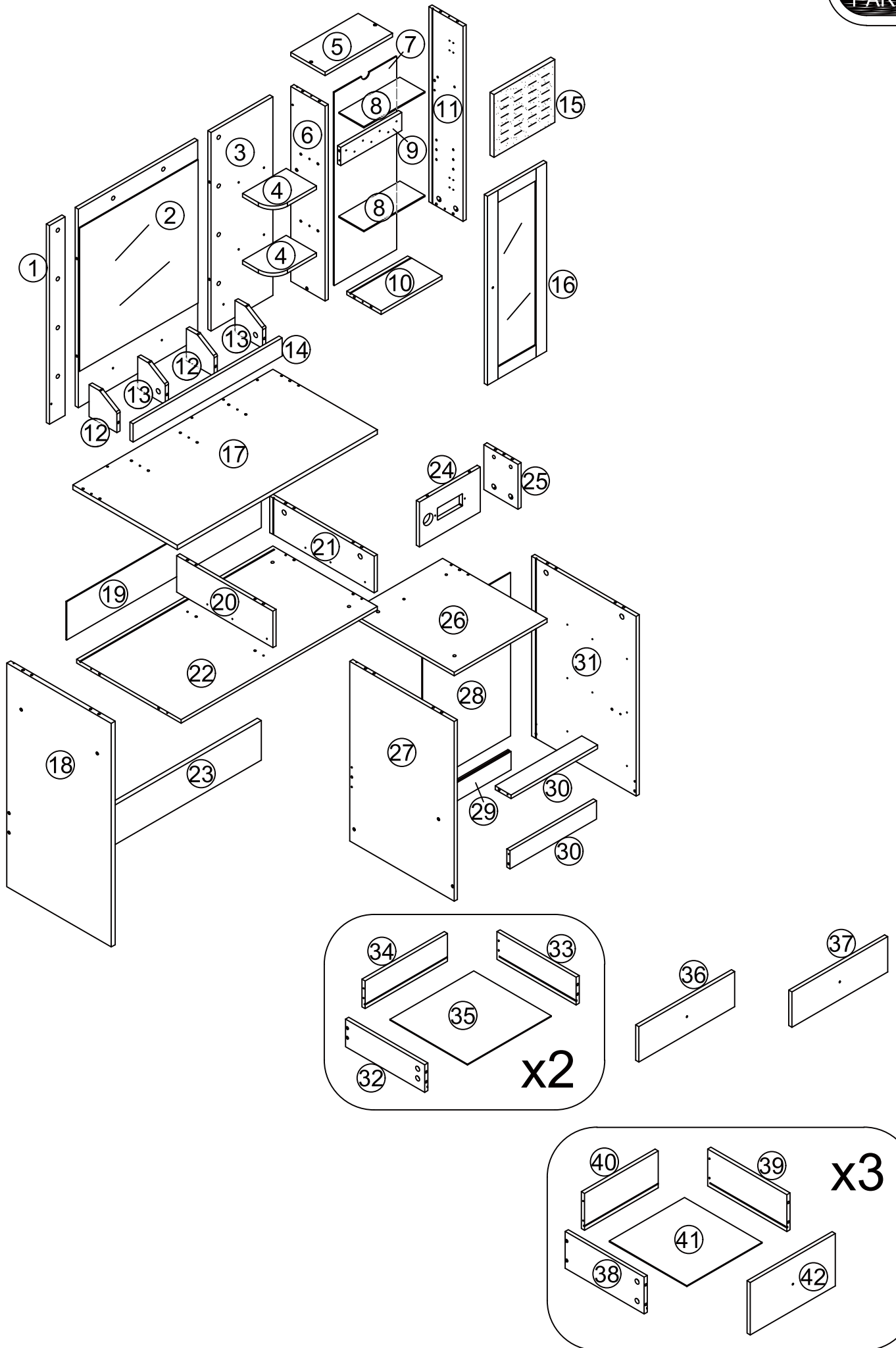
NO.	PARTS	QTY	SPARE
①		x1	
②		x1	
③		x1	
④		x2	
⑤		x1	
⑥		x1	
⑦		x1	
⑧		x2	
⑨		x1	
⑩		x1	







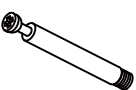


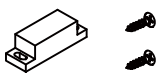

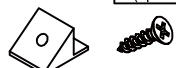

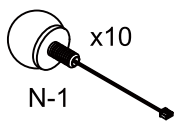

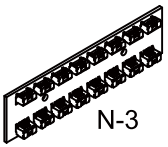







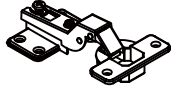

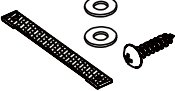






NO.	PARTS	QTY	SPARE
⑪		x1	
⑫		x2	
⑬		x2	
⑭		x1	
⑮		x1	
⑯		x1	
⑰		x1	
⑱		x1	
⑲		x1	
⑳		x1	

NO.	PARTS	QTY	SPARE
21		x1	
22		x1	
23		x1	
24		x1	
25		x1	
26		x1	
27		x1	
28		x1	
29		x1	
30		x2	

NO.	PARTS	QTY	SPARE
31		x1	
32		x2	
33		x2	
34		x2	
35		x2	
36		x1	
37		x1	
38		x3	
39		x3	
40		x3	

NO.	PARTS	QTY	SPARE
④1		x3	
④2		x3	
	 Hardware Kit	x1	



 <p>A x42 Ø6x35mm +2(spare)</p>	 <p>B x44 Ø15x10mm +2(spare)</p>	 <p>C x57 Ø6x30mm +2(spare)</p>	 <p>D x61 Ø4x35mm +2(spare)</p>	 <p>E x60 +3(spare)</p>	 <p>F x2</p>
 <p>G x2</p>	 <p>H x26 Ø3.5x12mm +2(spare)</p>	 <p>I x7</p>	 <p>J x1</p>	 <p>K x2</p>	 <p>L x12 +1(spare)</p>
 <p>M x1</p>	 <p>N-1 x10</p>	 <p>N-2 x10</p>	 <p>N-3</p>	 <p>N-4 x1</p>	 <p>Q x2</p>
 <p>P x1</p>	 <p>Q x2 Ø3x14mm</p>	 <p>R x1</p>	 <p>S x7</p>	 <p>T x8</p>	 <p>U x2</p>
 <p>V x6</p>	 <p>W x2</p>	 <p>X x22 Ø20mm</p>	 <p>Y x2 Ø6x30mm</p>		
 <p>CL x5 L300mm</p>	 <p>CR x5 L300mm</p>	 <p>DL x5 L300mm</p>	 <p>DR x5 L300mm</p>		

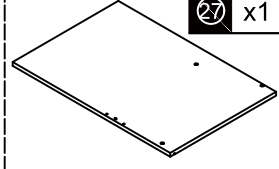
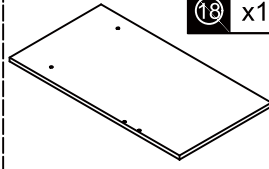
E x21

CL x4

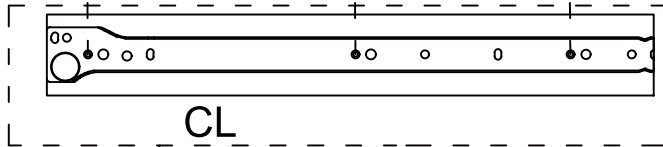
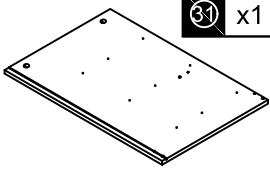
CR x3

18 x1

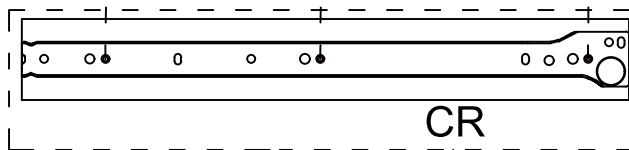
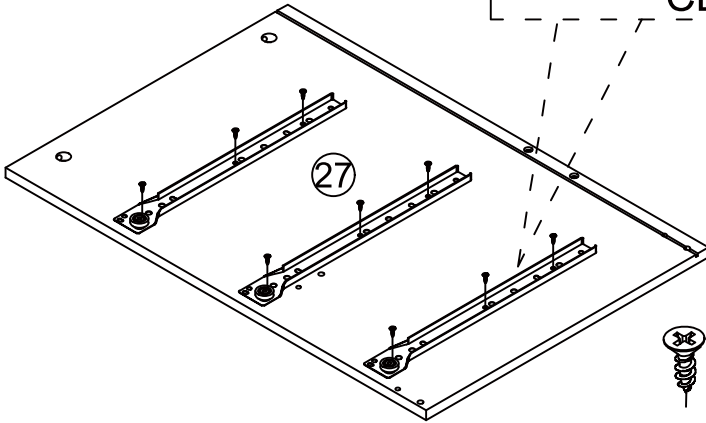
27 x1



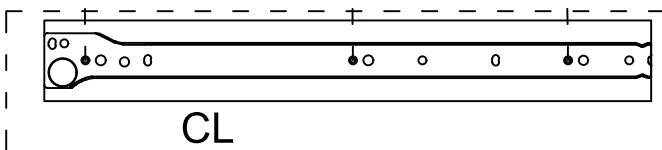
31 x1



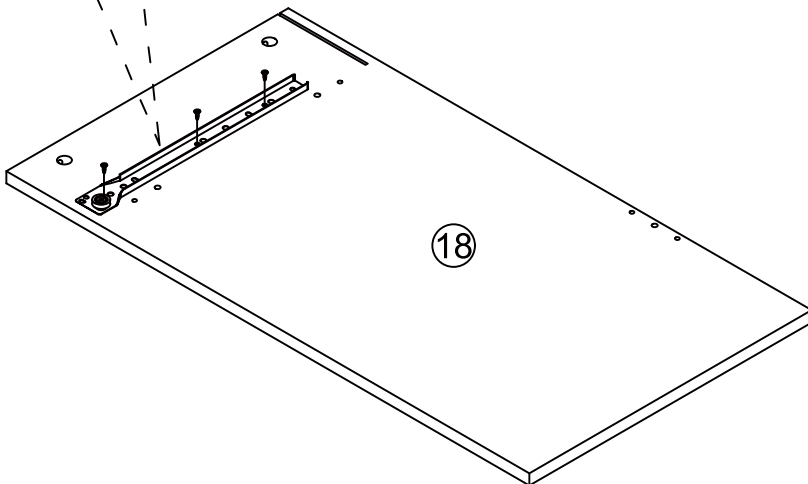
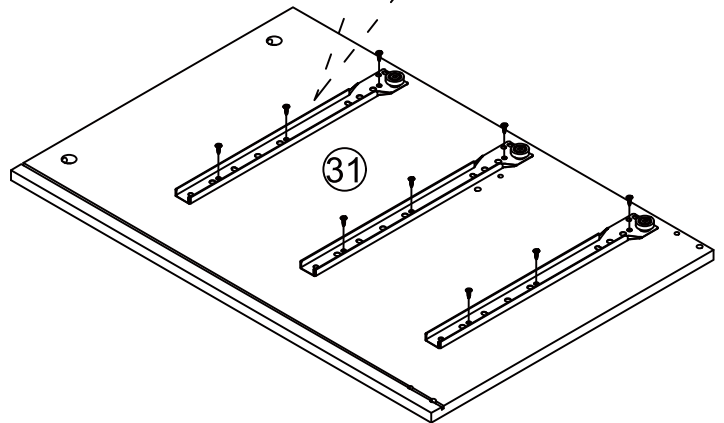
x3



x3



CL



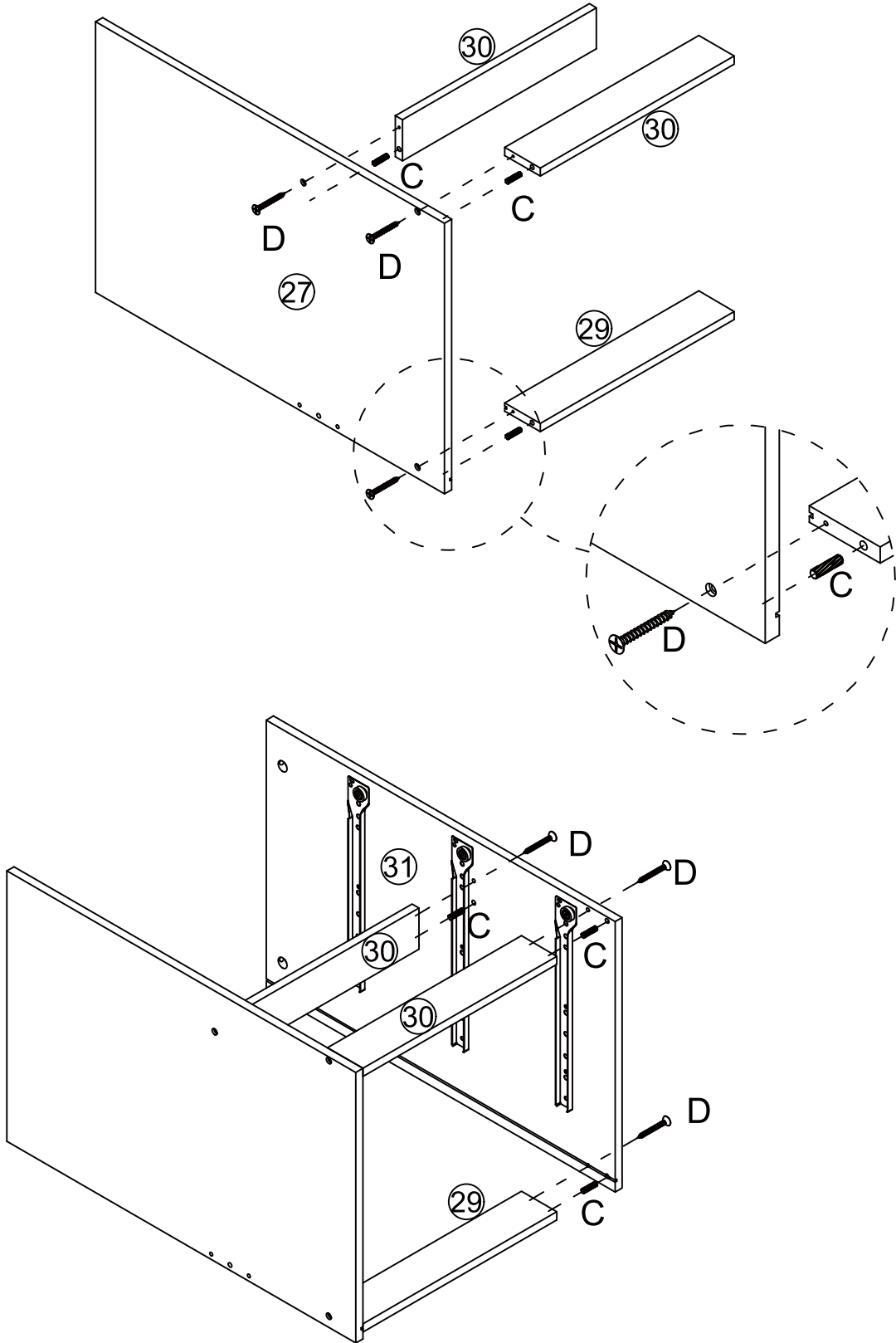
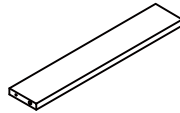
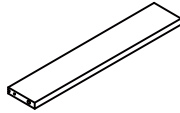
18

C x6

D x6

29 x1

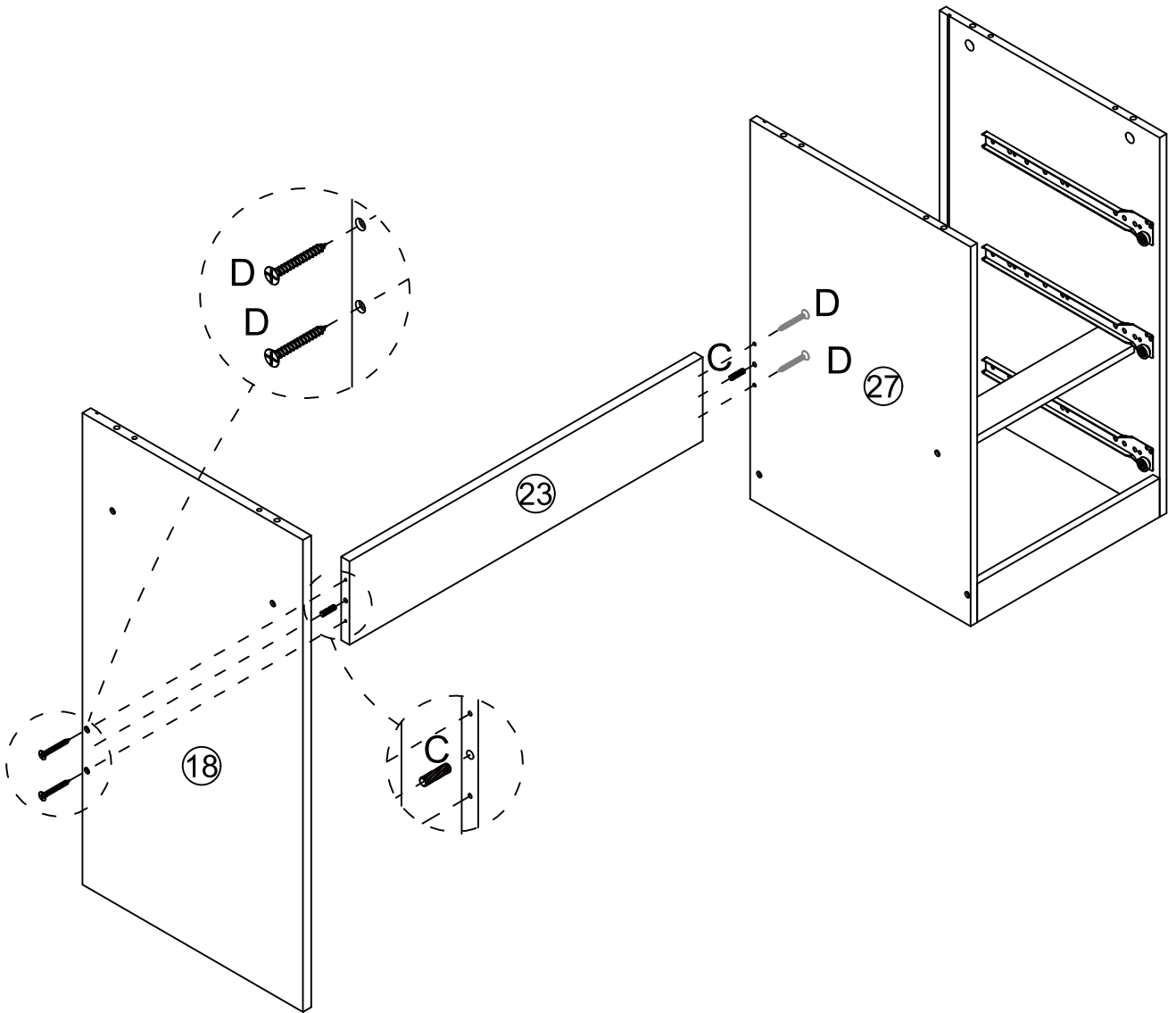
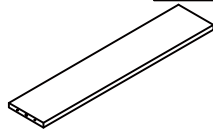
30 x2



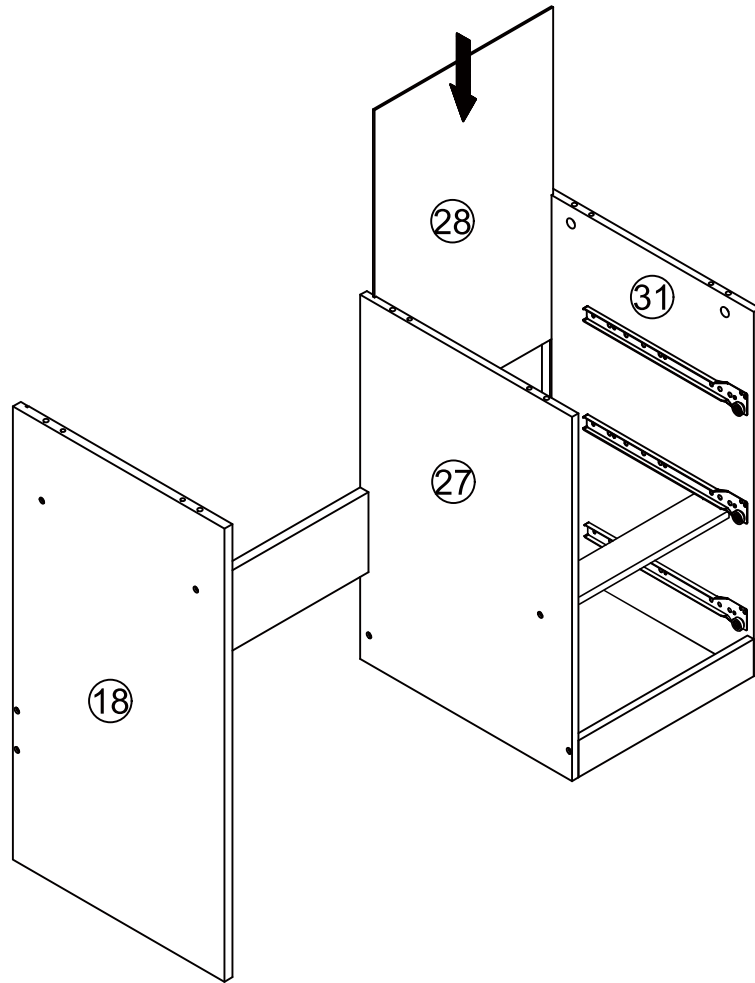
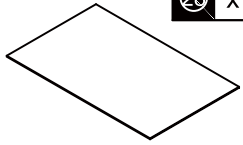
C x2

D x4

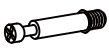
23 x1



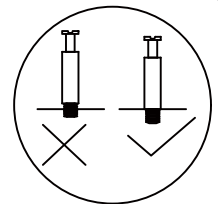
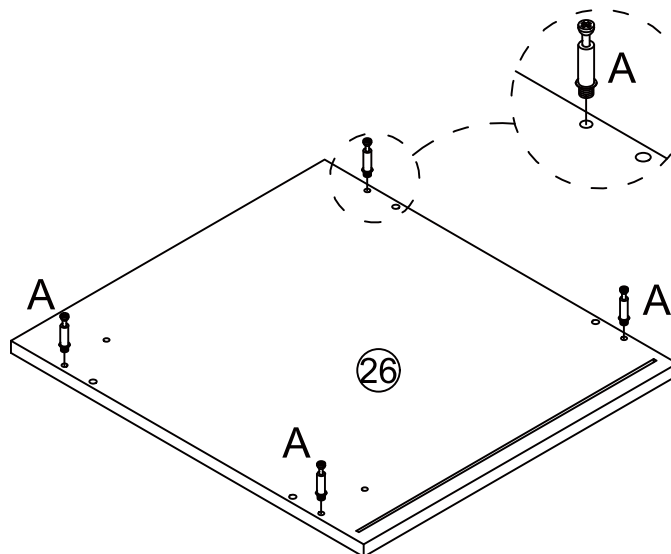
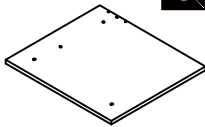
28 x1



A x4

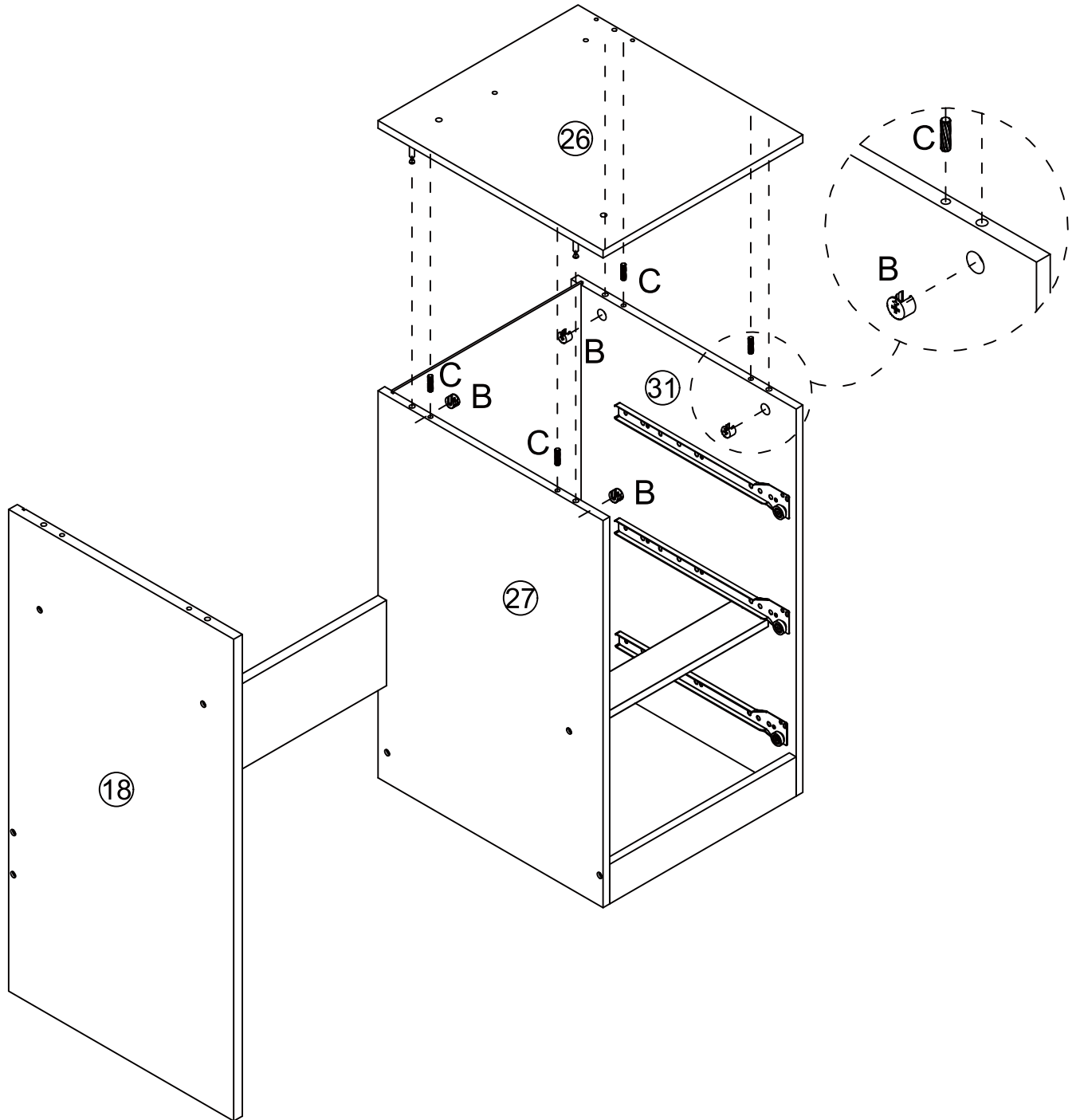
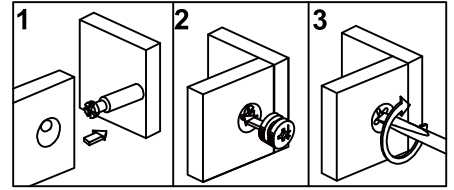


26 x1



B x4

C x4



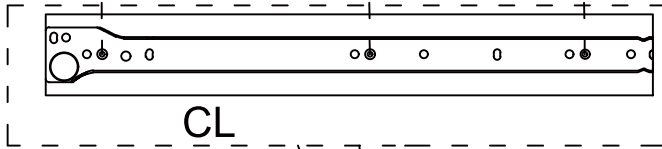
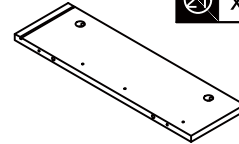
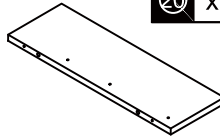
E x9

CL x1

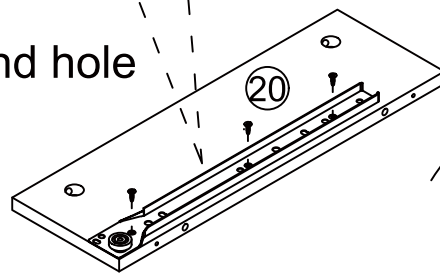
CR x2

20 x1

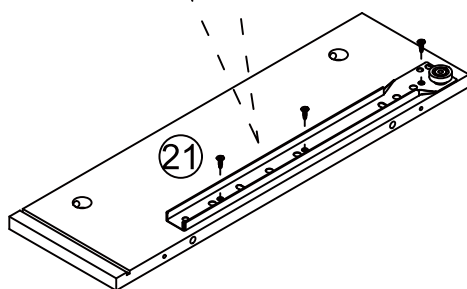
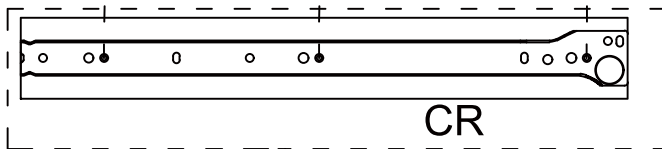
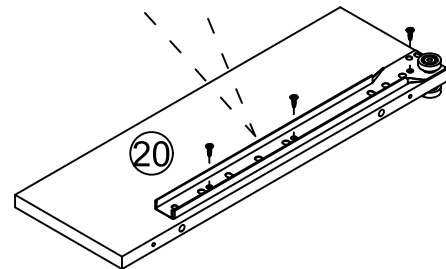
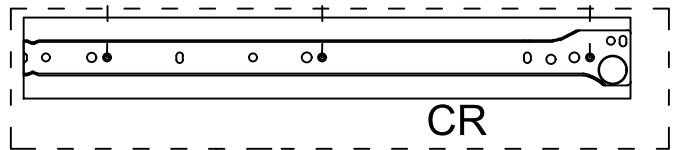
21 x1



Second hole



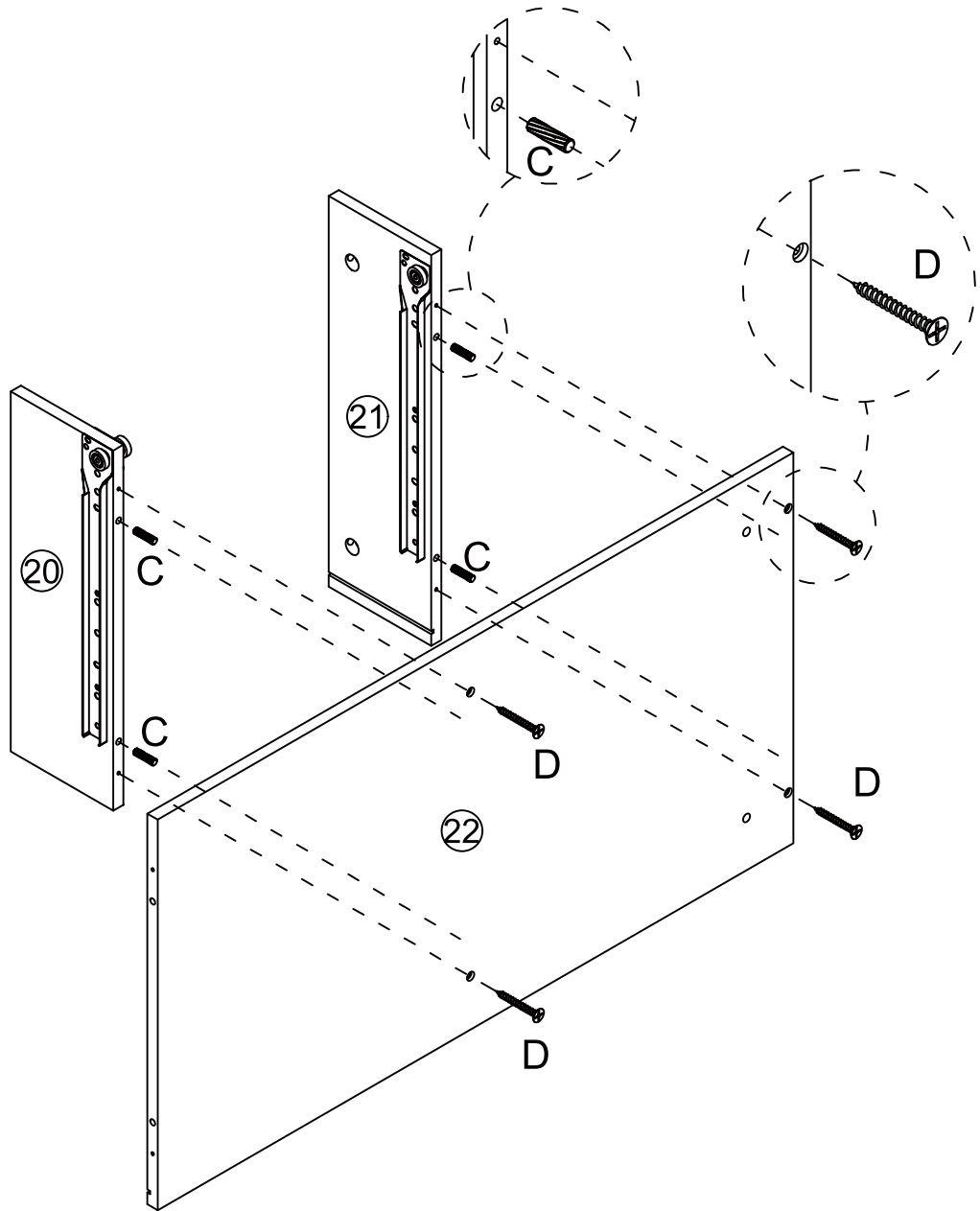
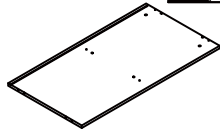
180°



C x4

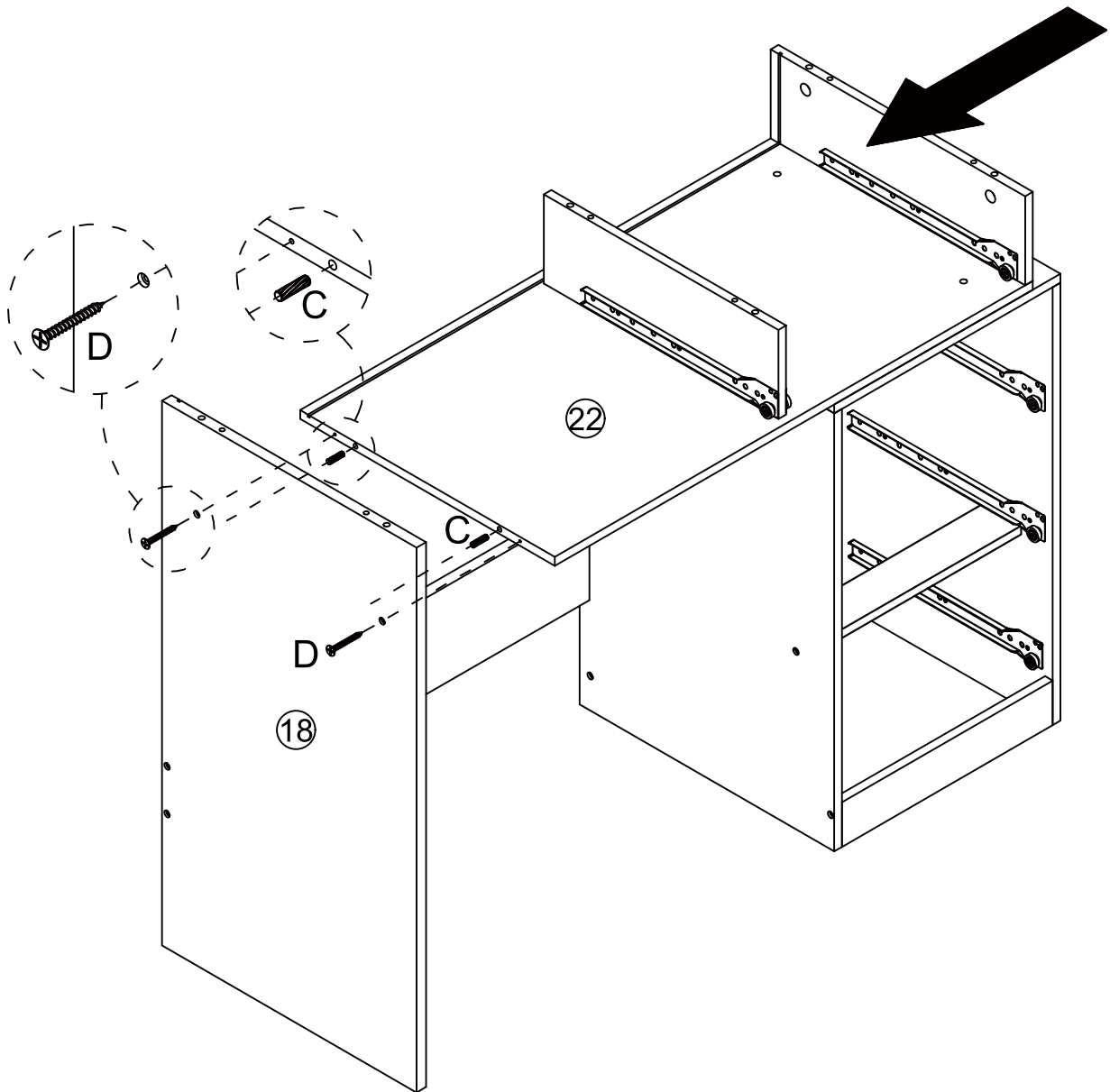
D x4

22 x1



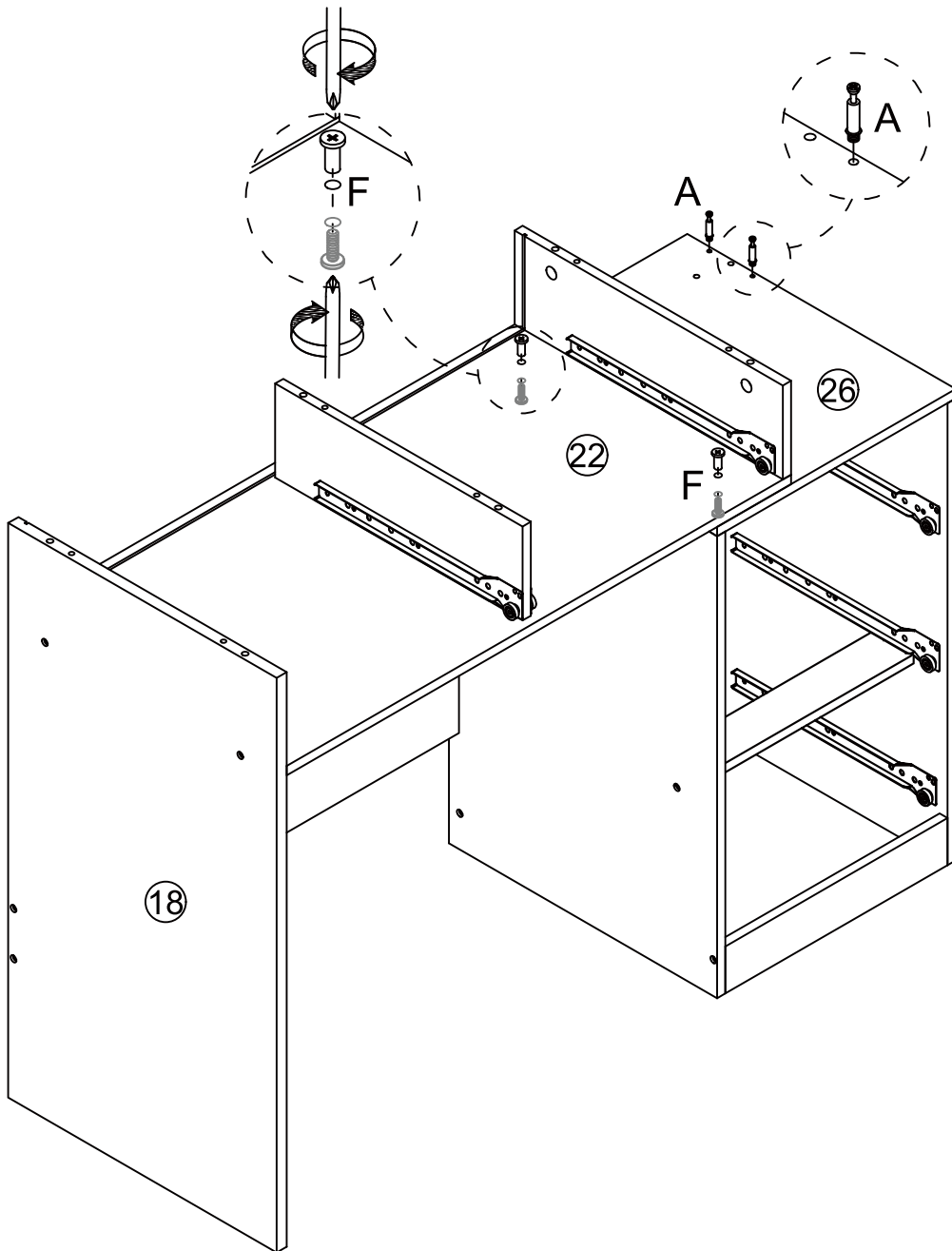
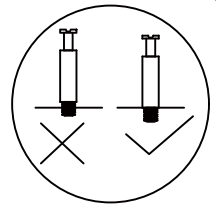
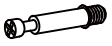
C x2

D x2



A x2

F x2

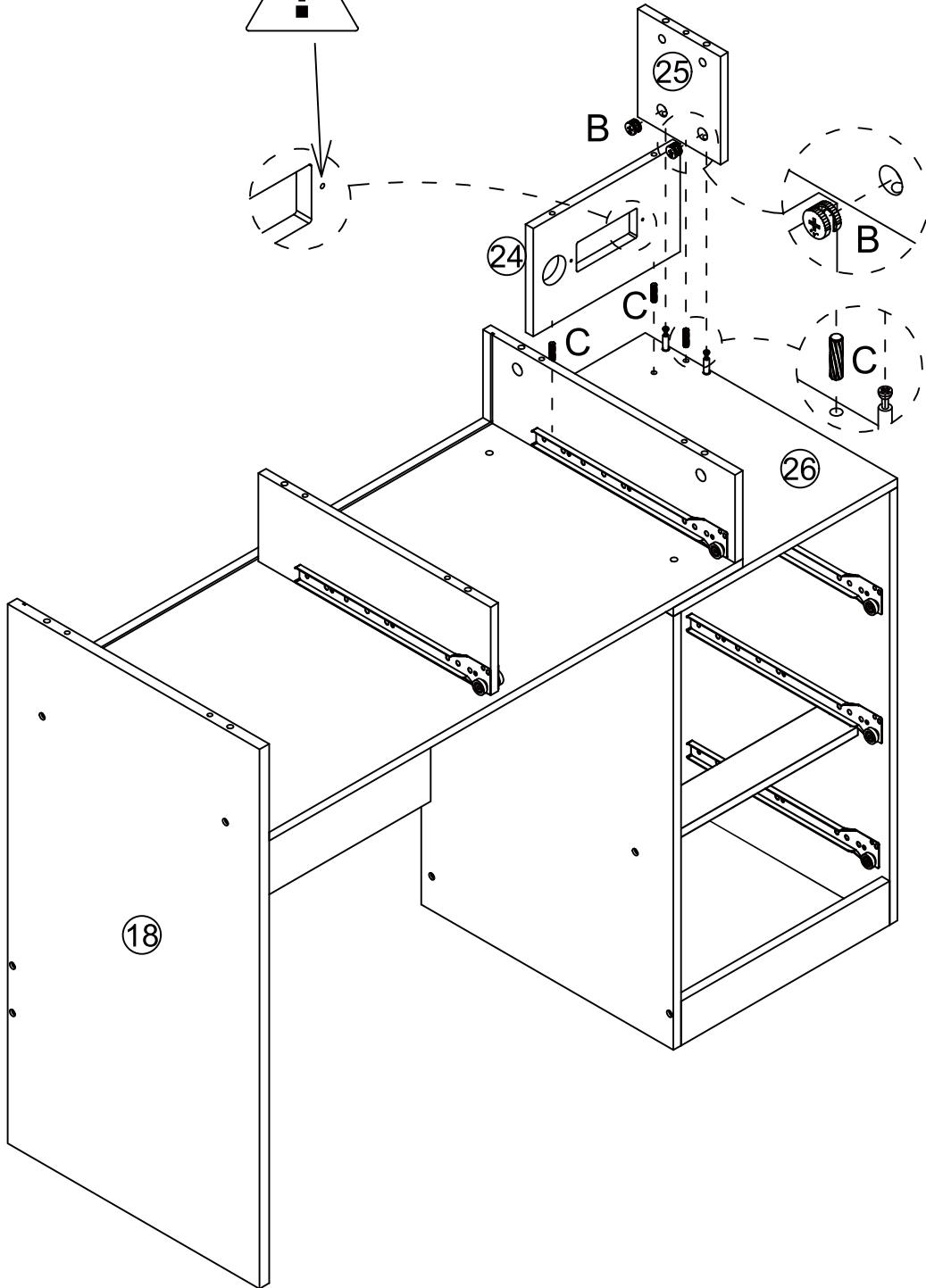
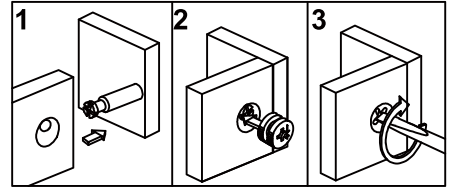
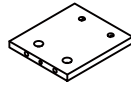
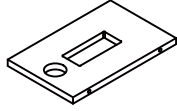


B x2

C x3

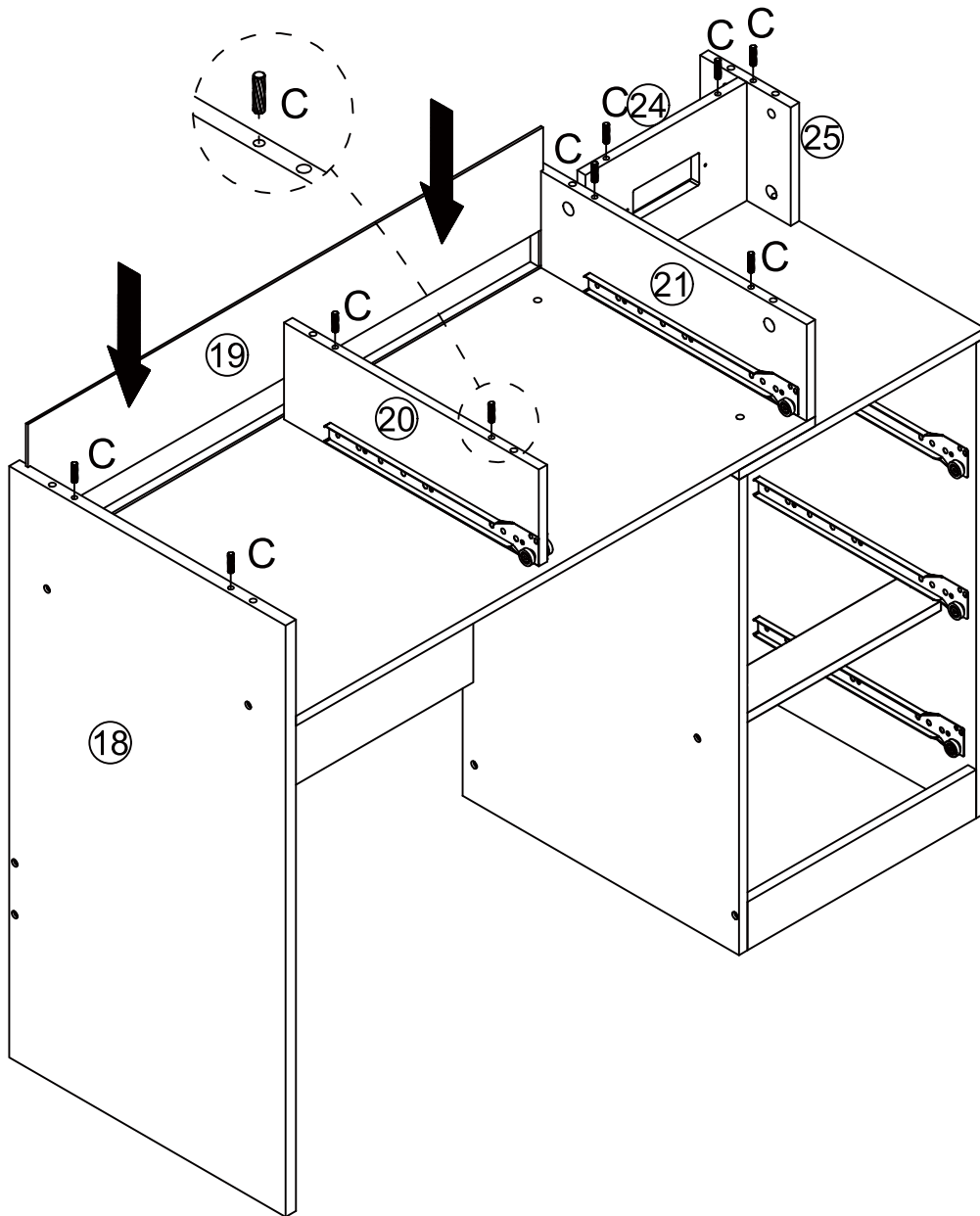
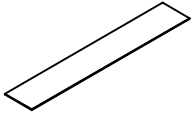
24 x1

25 x1



C x9

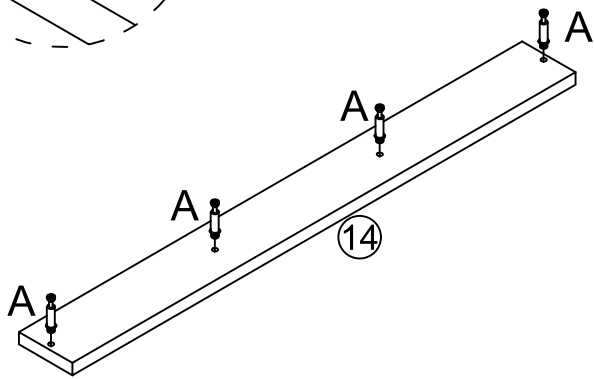
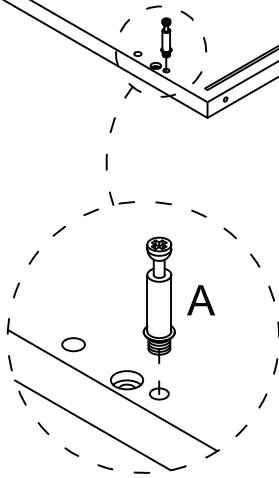
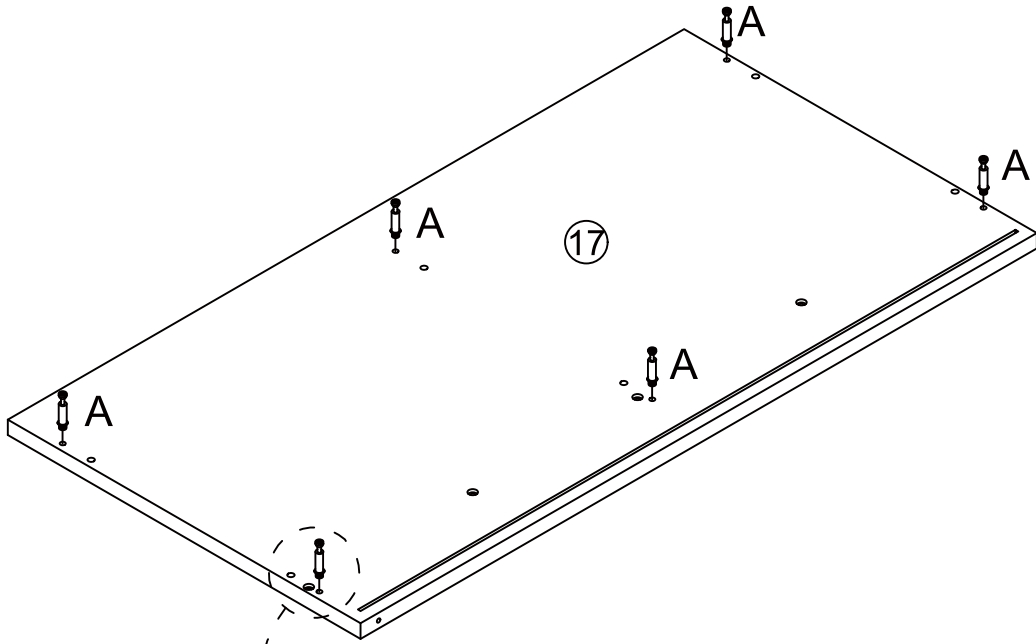
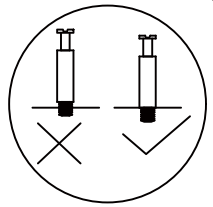
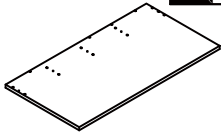
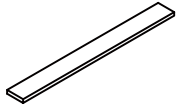
19 x1



A x10

14 x1

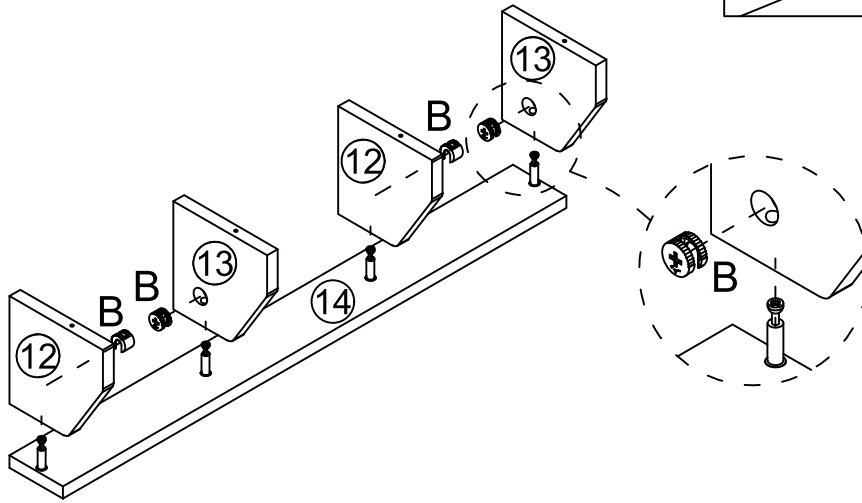
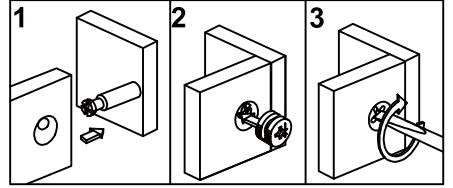
17 x1



B x4

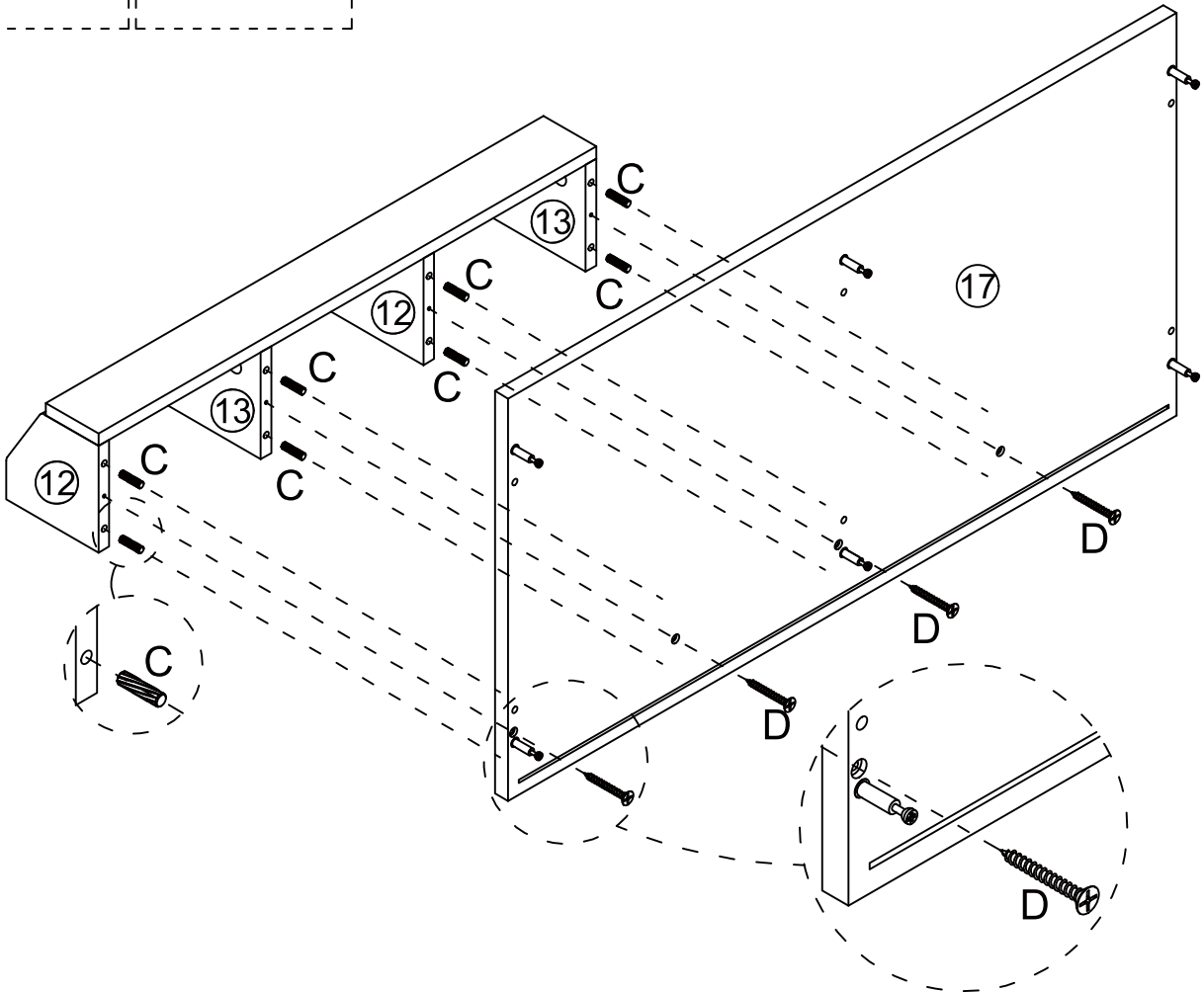
12 x1

13 x1

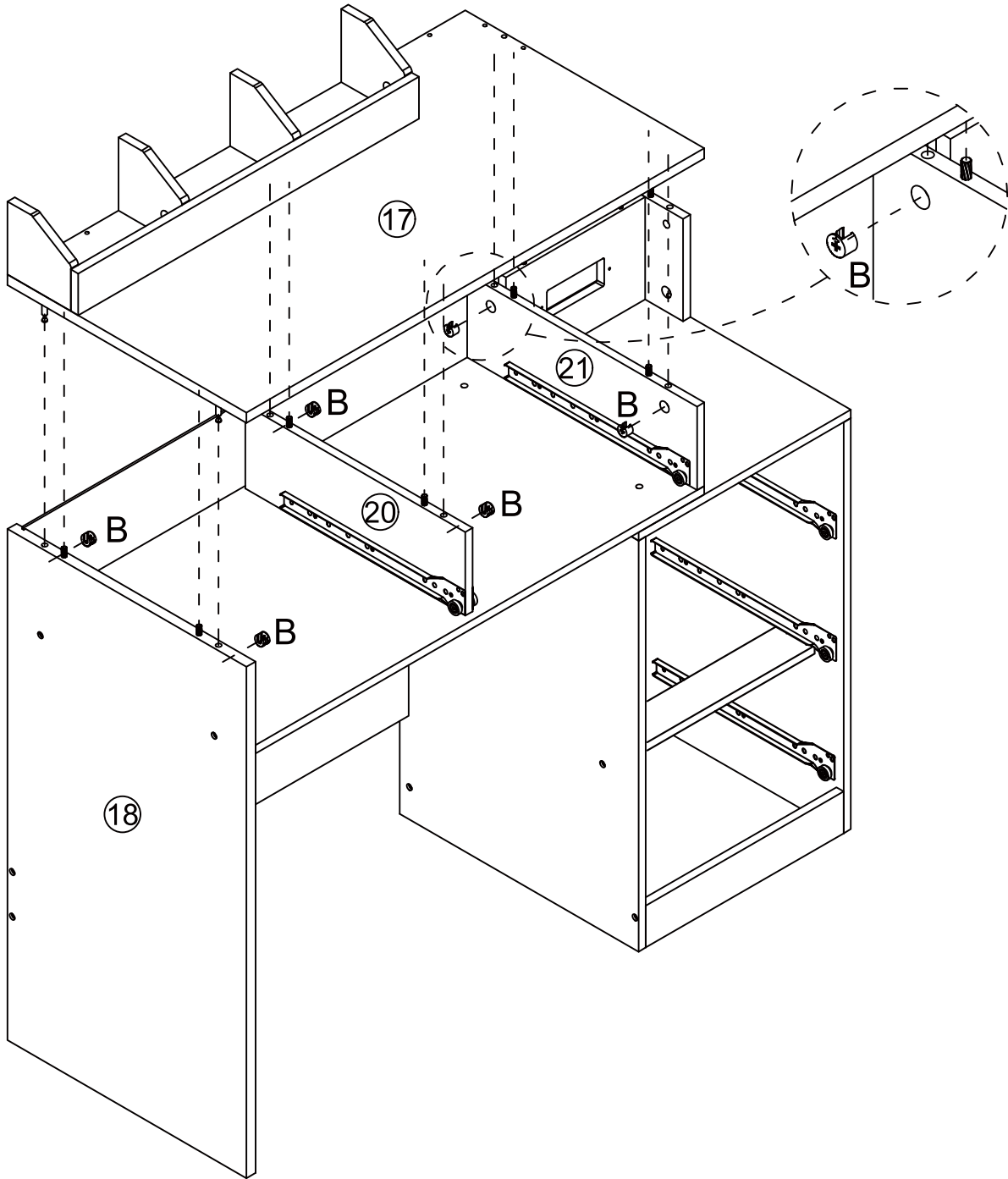
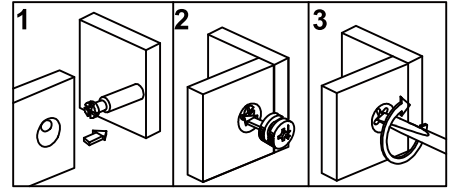


C x8

D x4

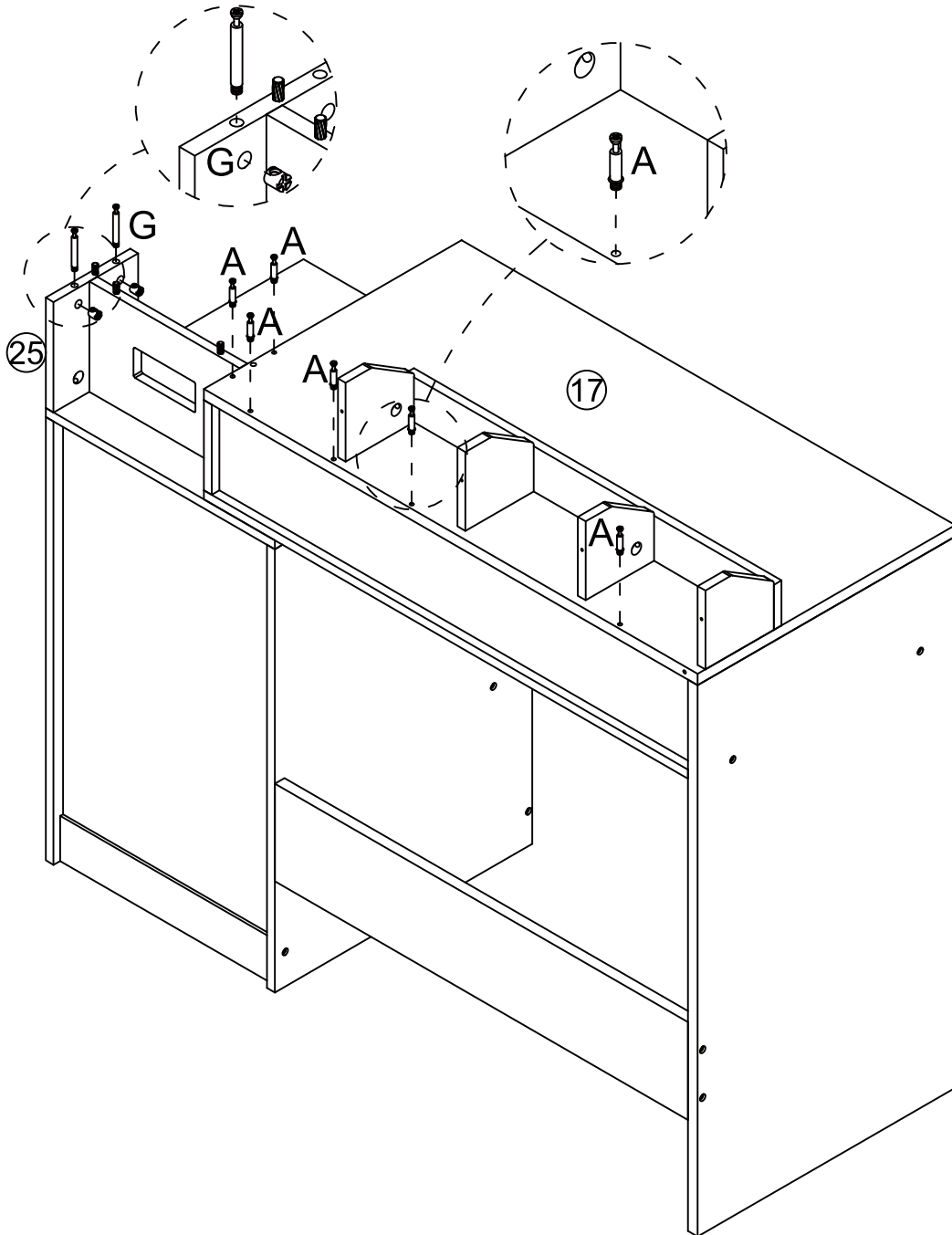
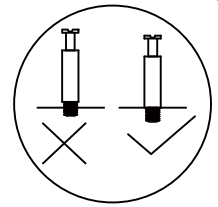
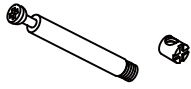
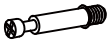


B x6



A x6

G x2



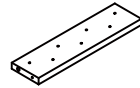
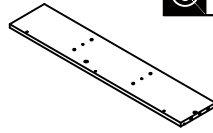
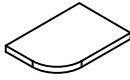
C x10

D x6

4 x2

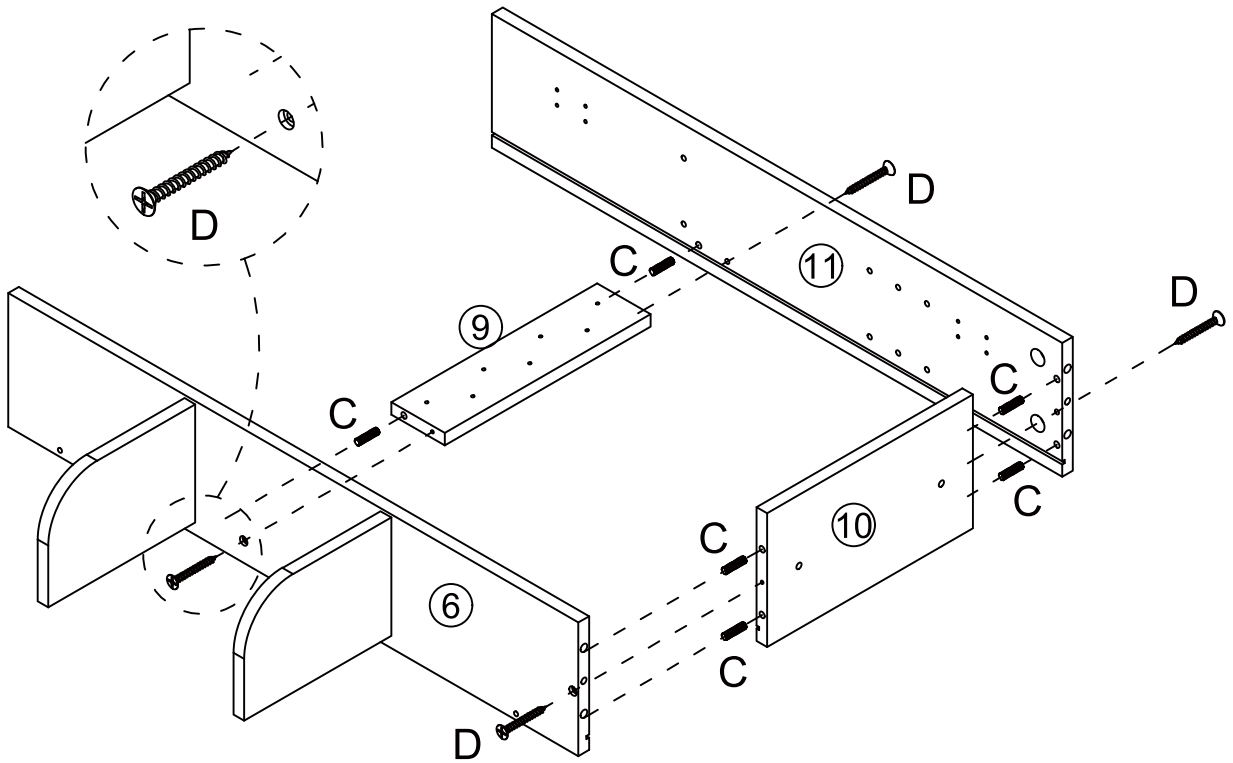
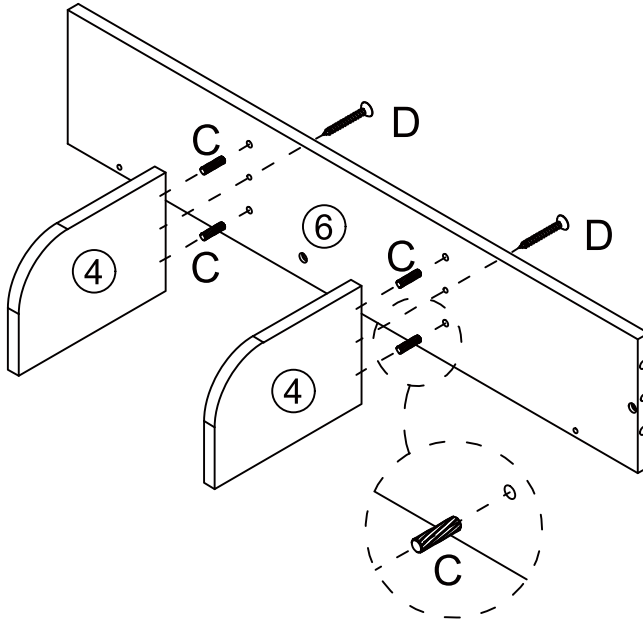
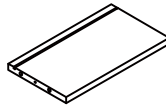
6 x1

9 x1



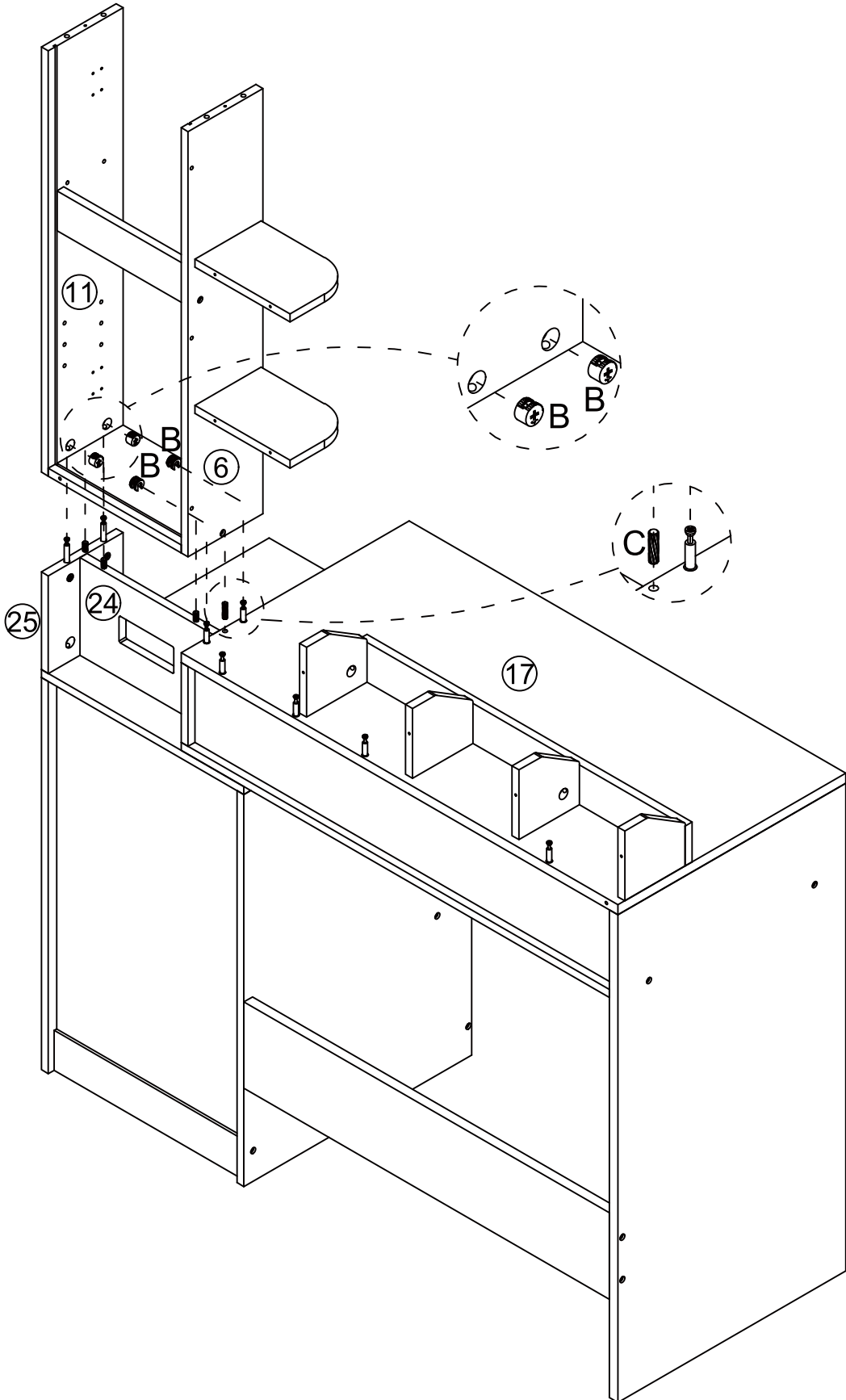
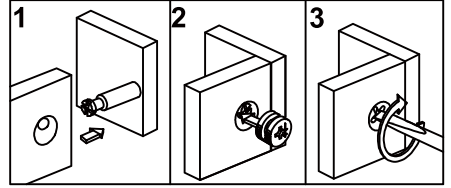
10 x1

11 x1



B x4

C x1



C x4



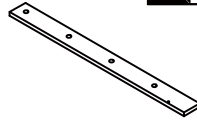
H x12



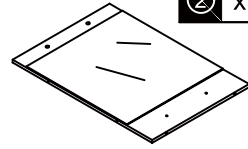
I x6



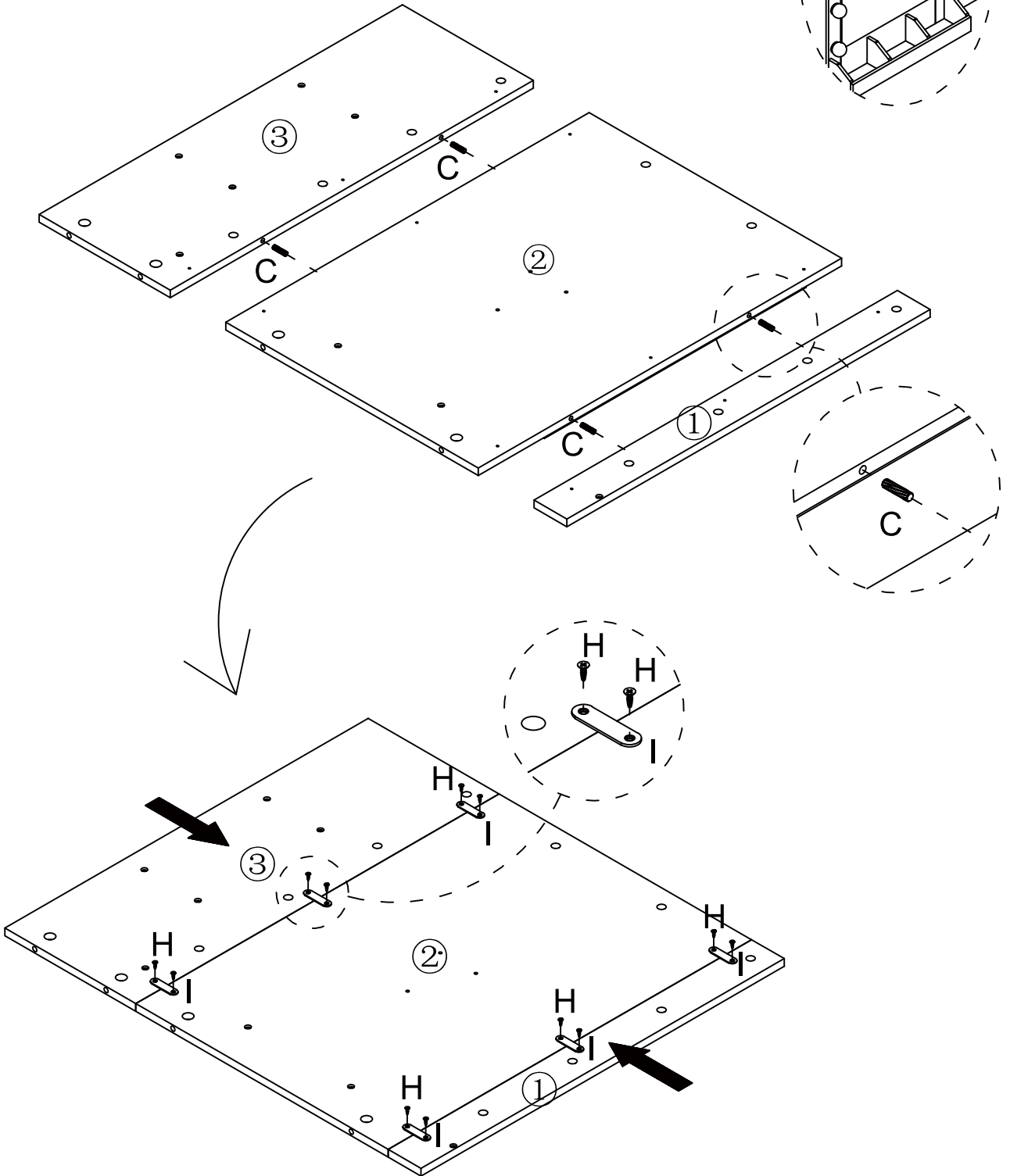
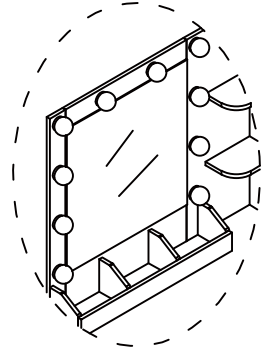
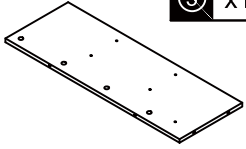
1 x1



2 x1

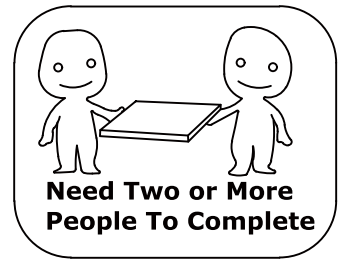
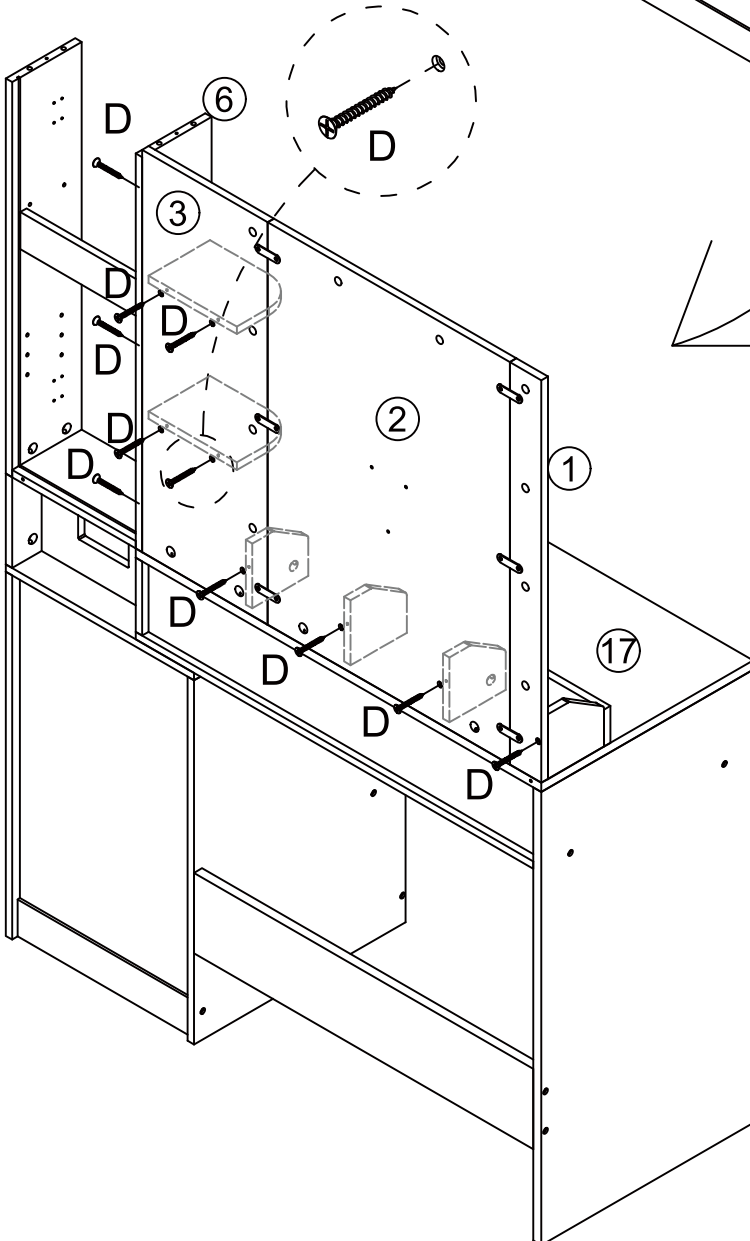
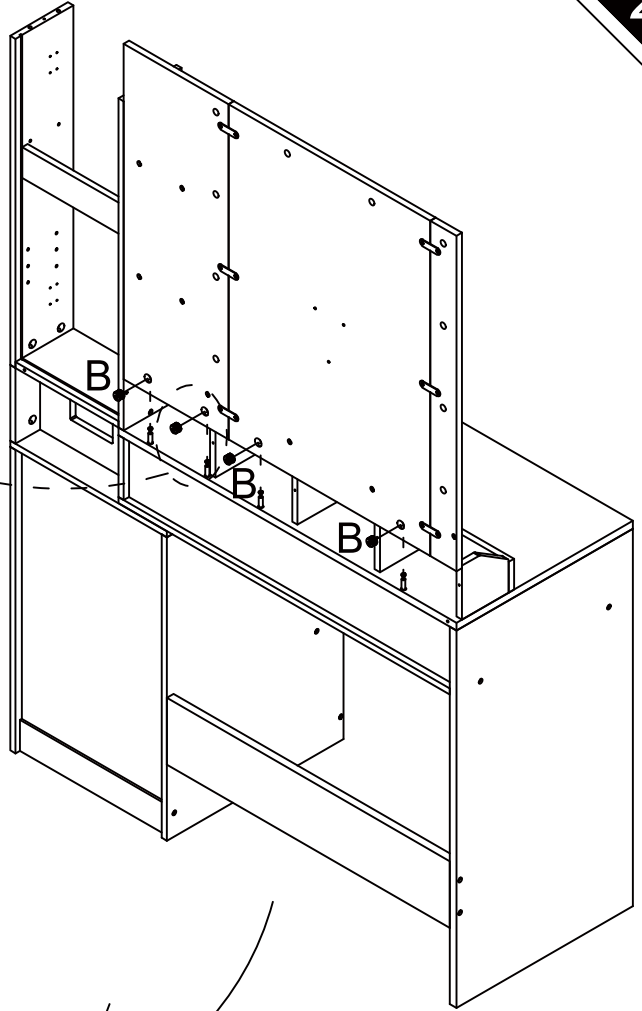
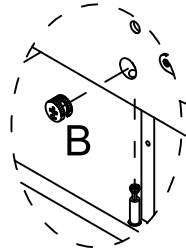
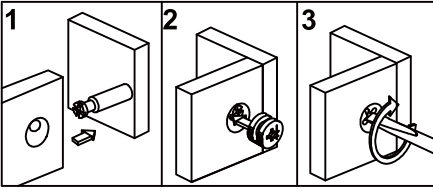


3 x1



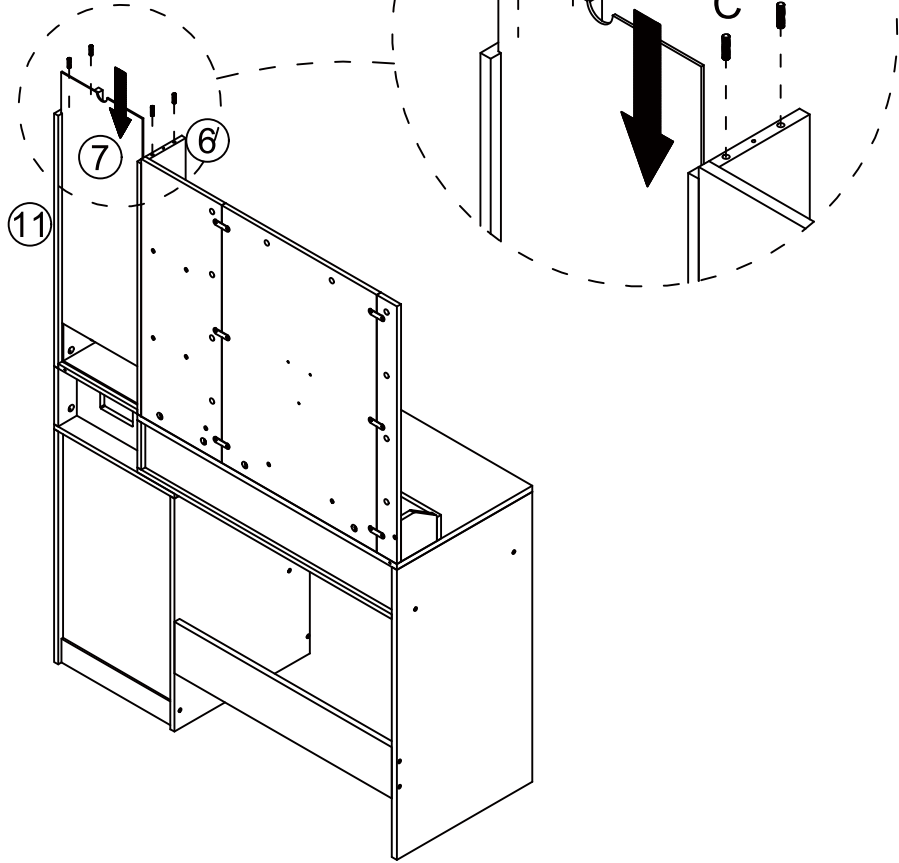
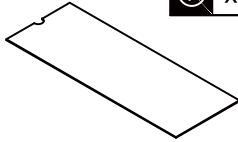
B x4

D x11



C x4

7 x1

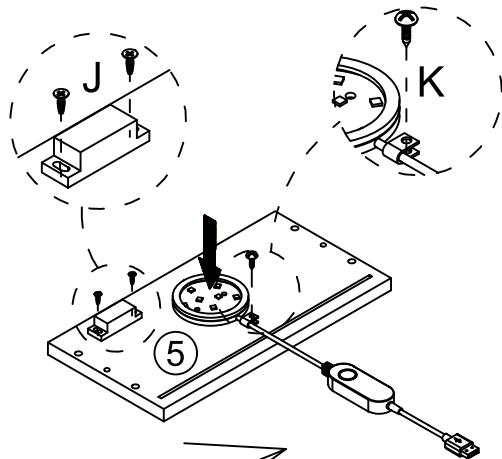
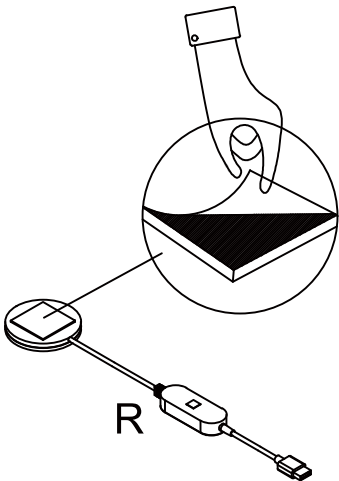
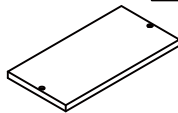


J x1

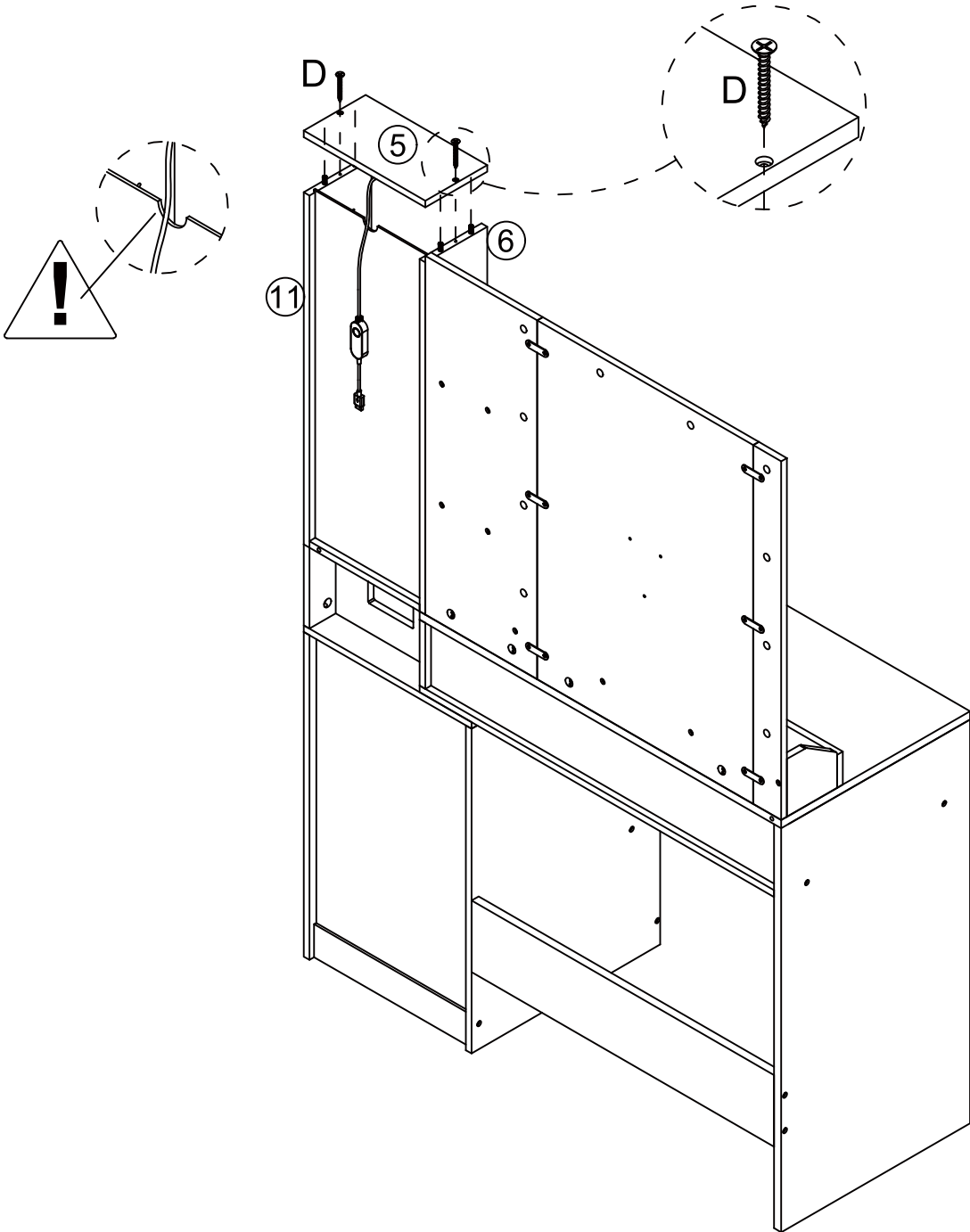
K x1

R x1

5 x1

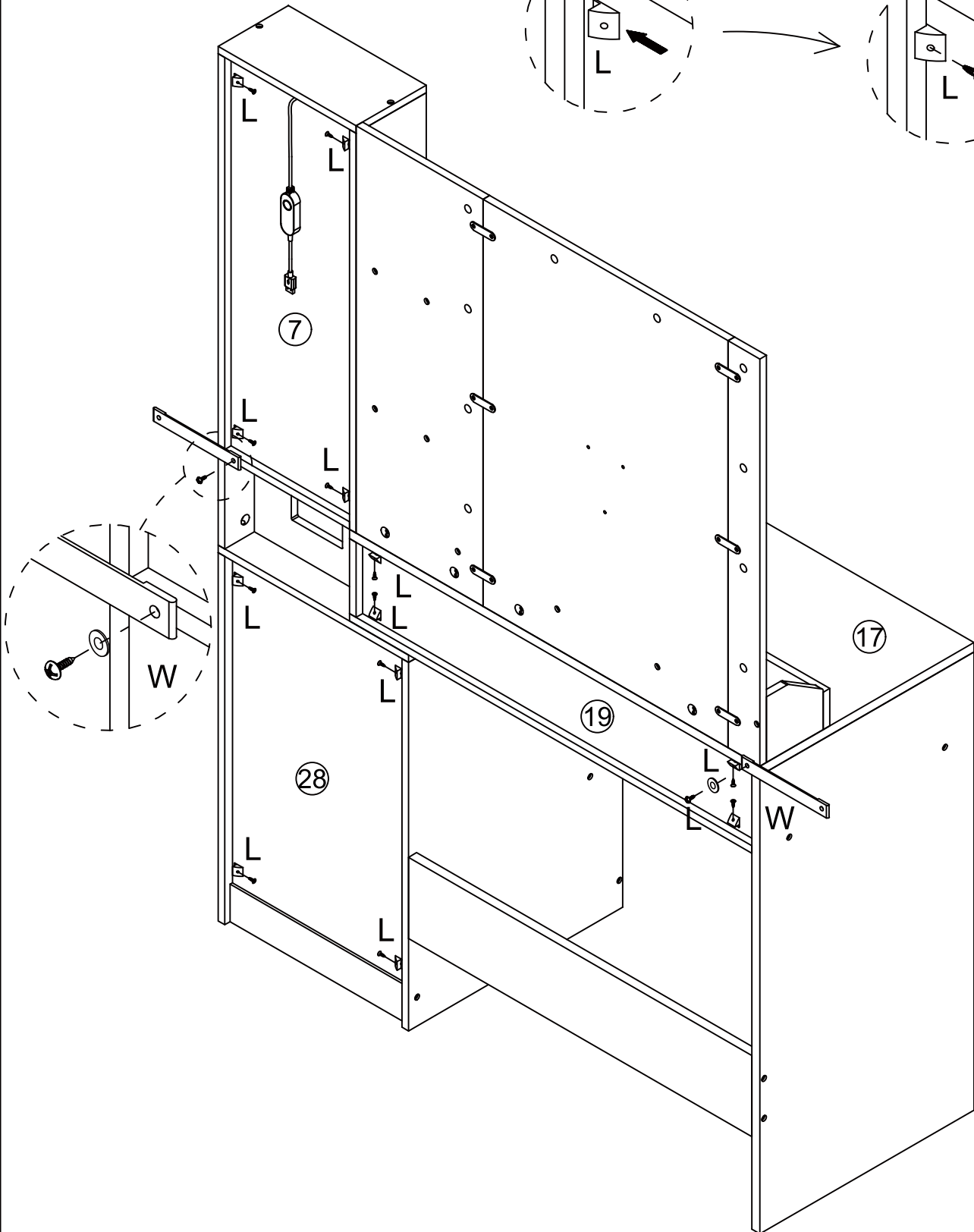
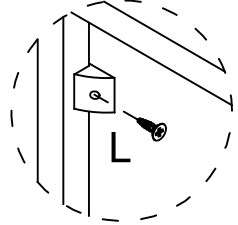
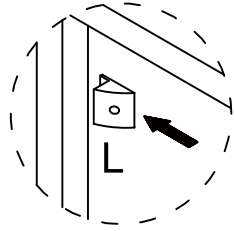
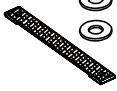


D x2

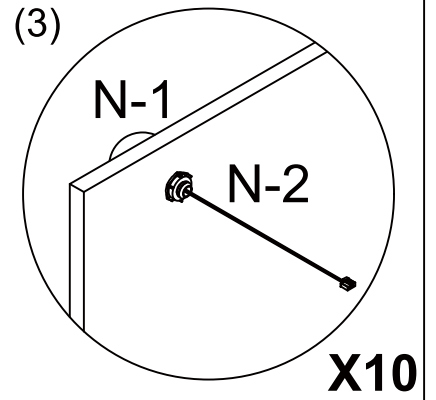
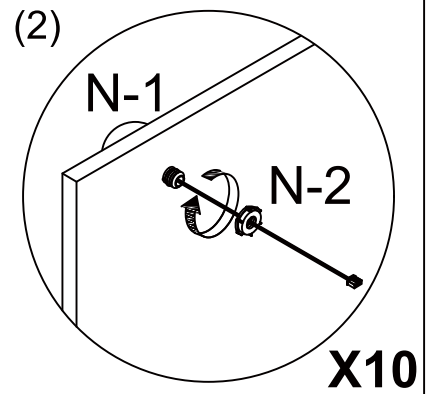
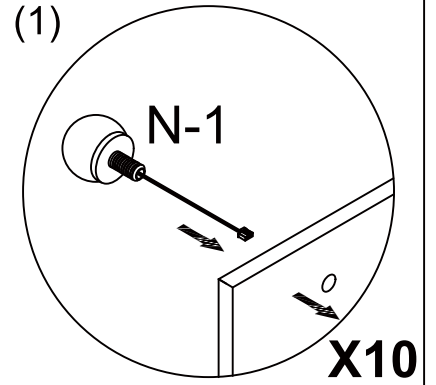
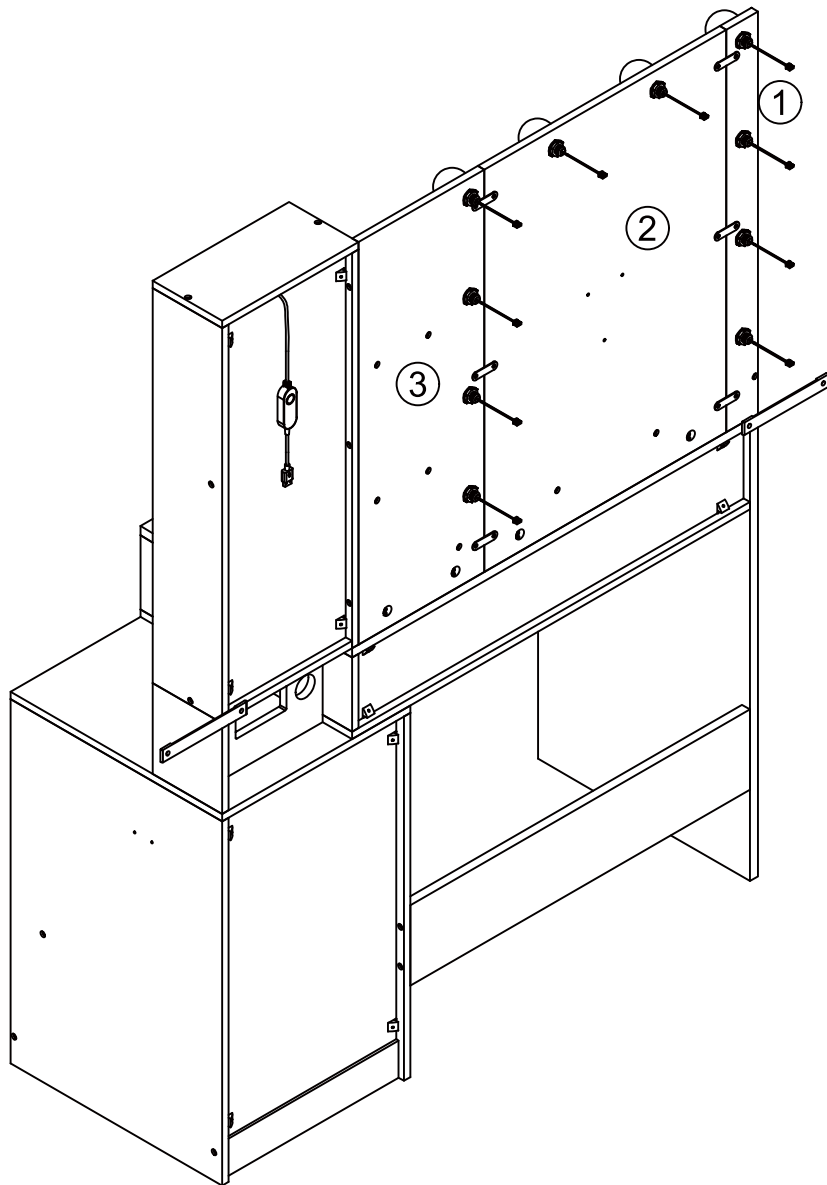
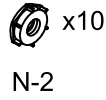
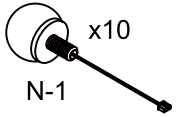


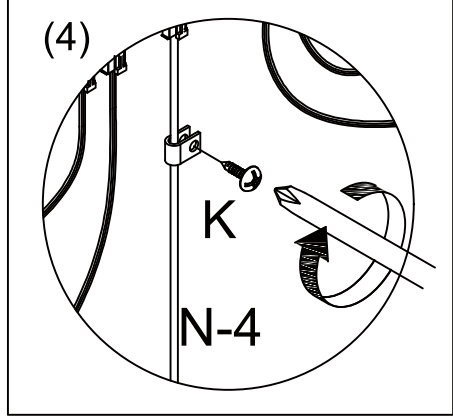
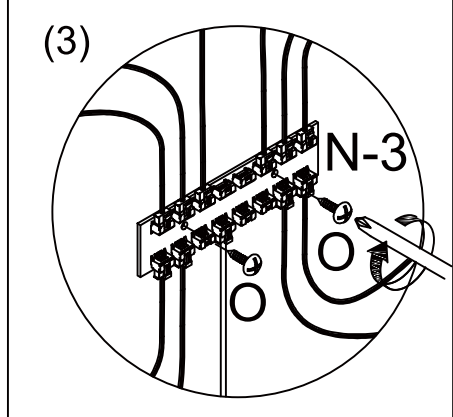
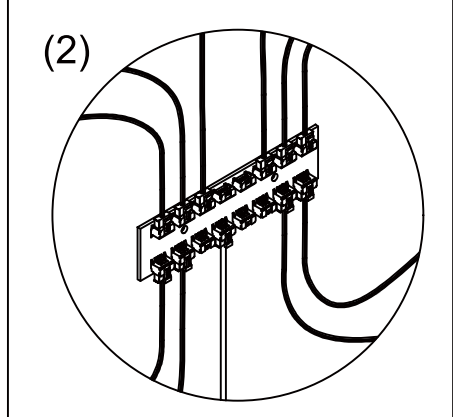
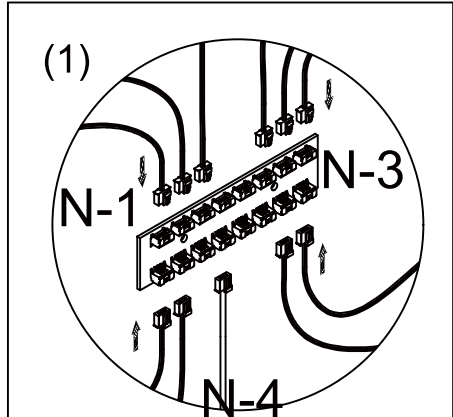
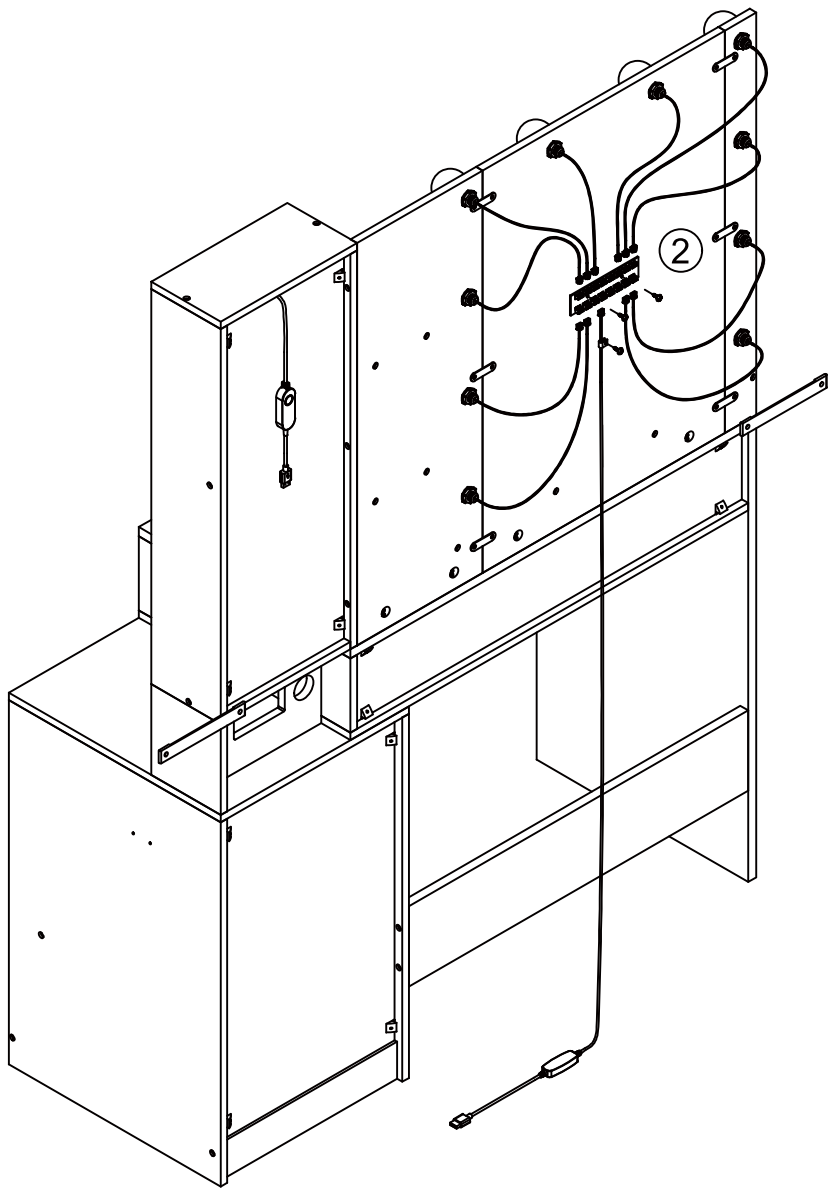
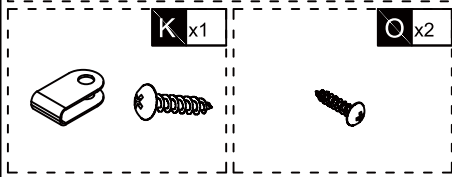
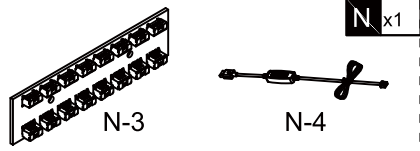
L x12

W x2



N x1

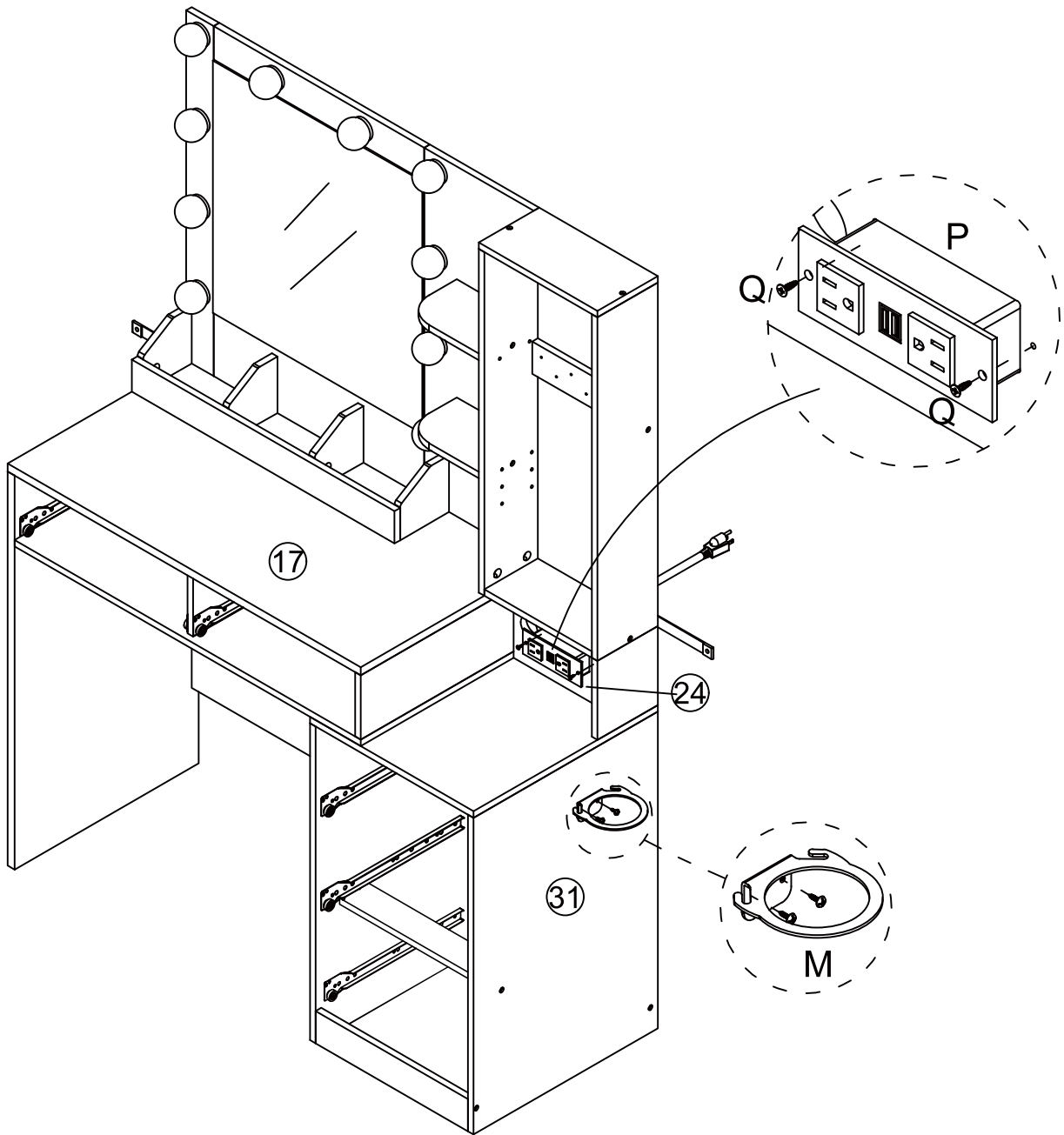




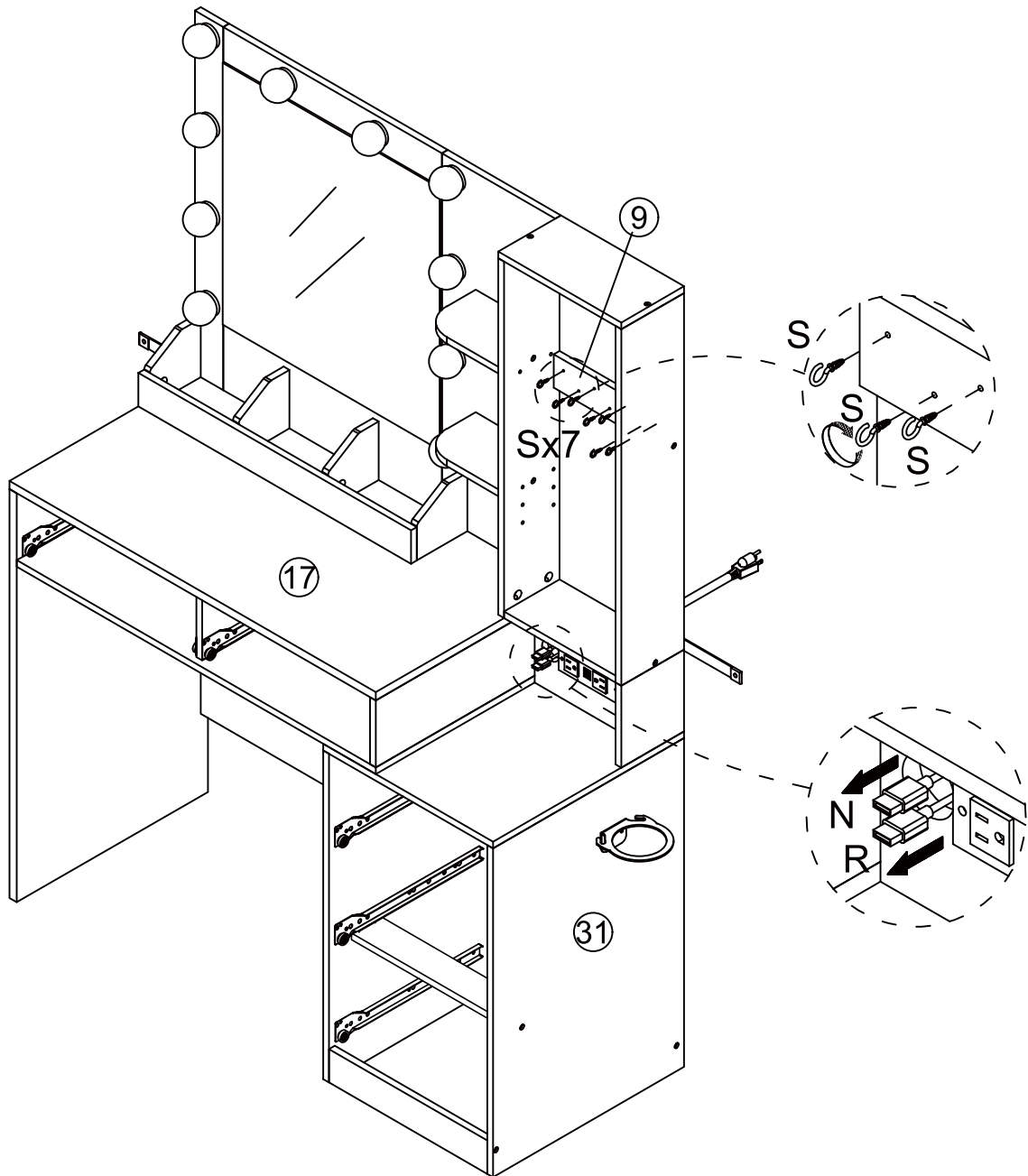
M x1

P x1

Q x2

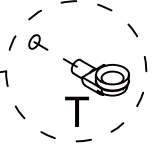
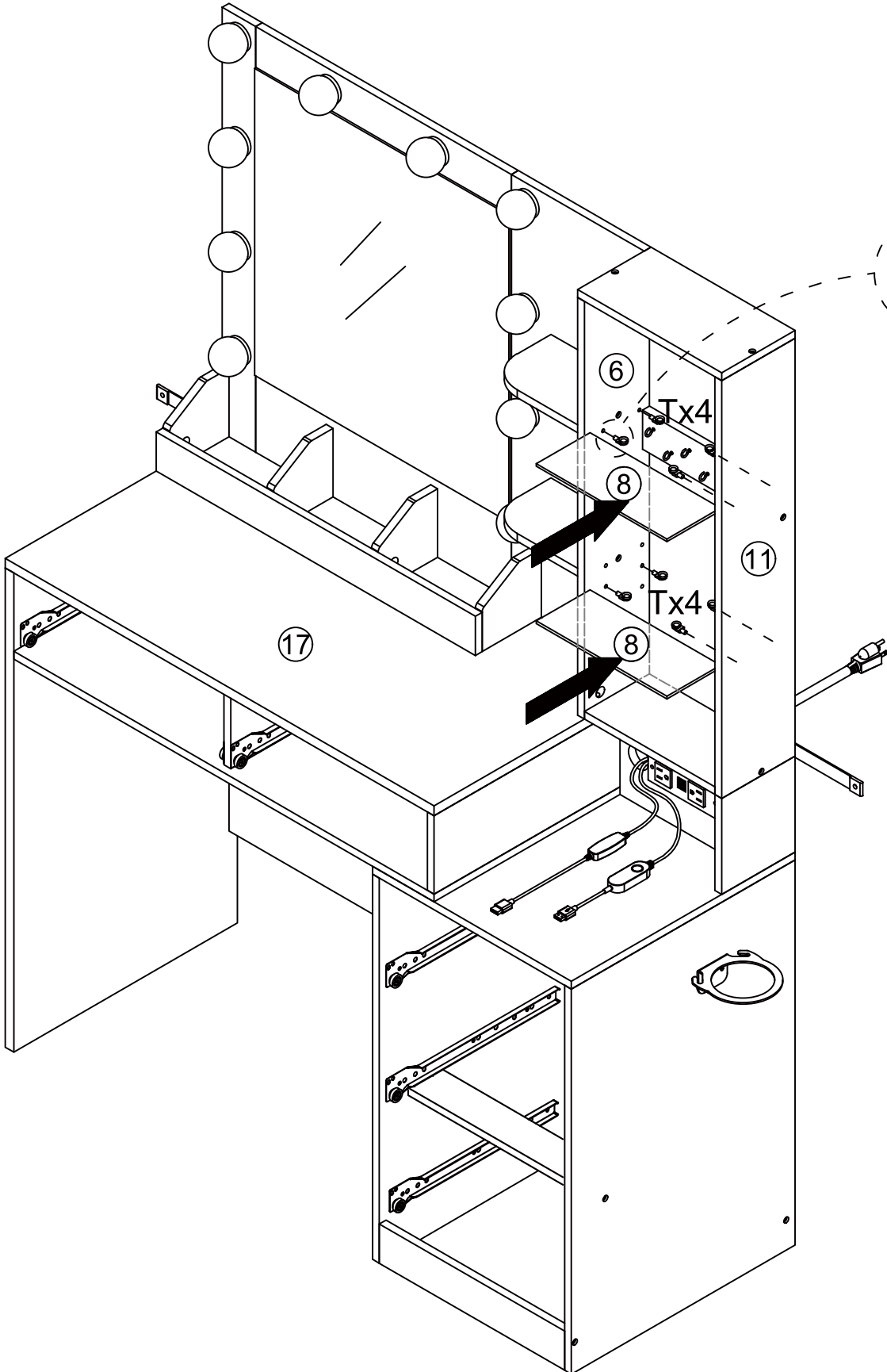
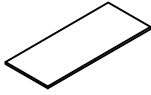


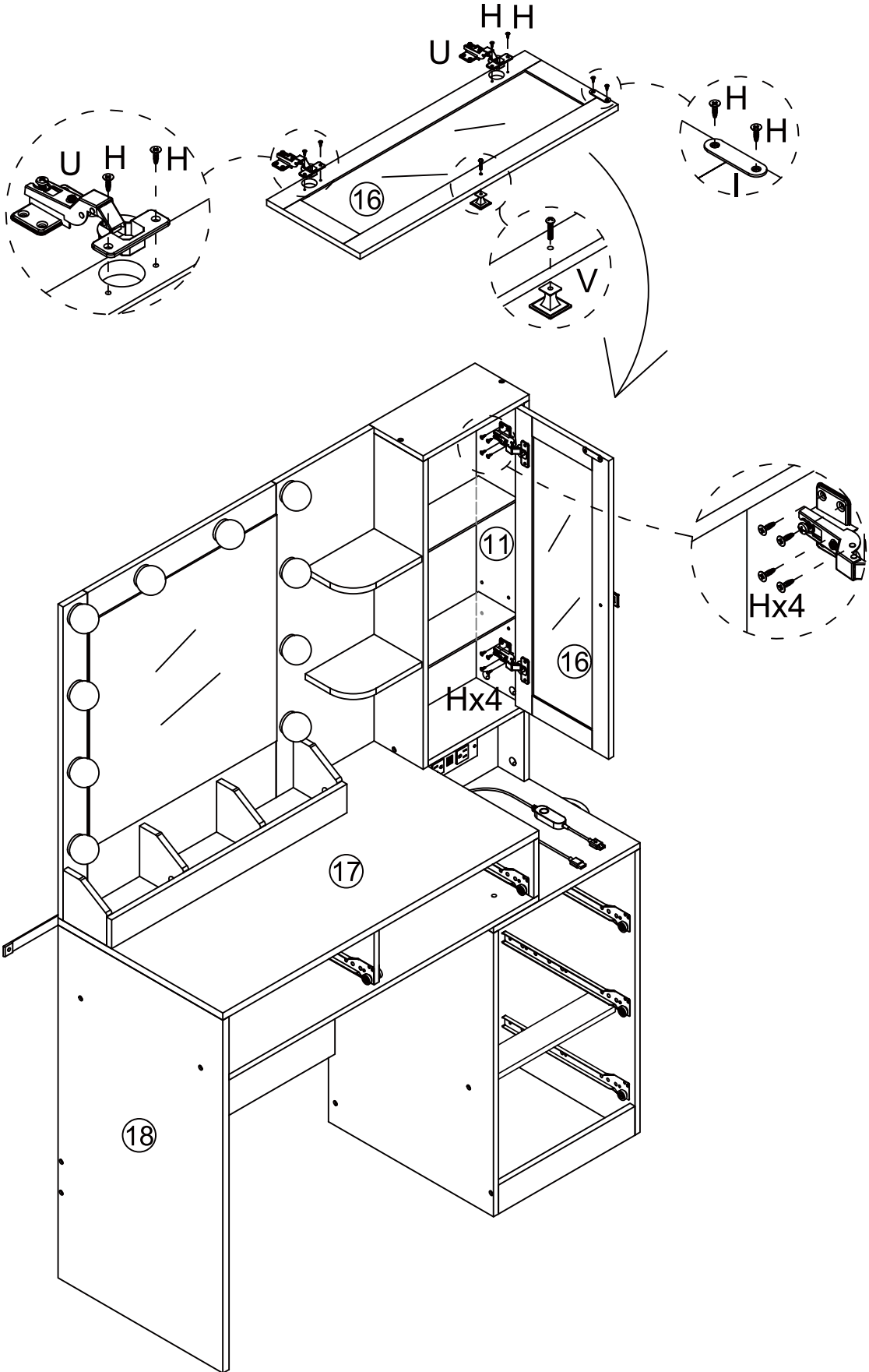
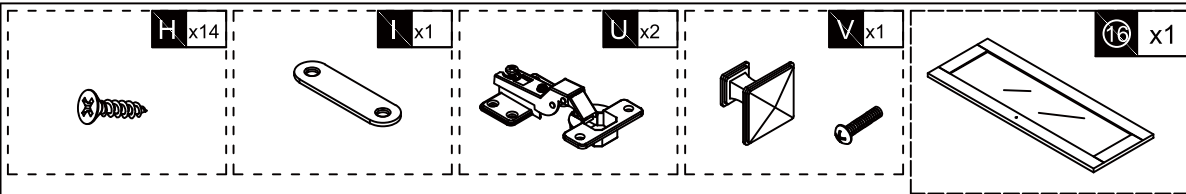
S x7



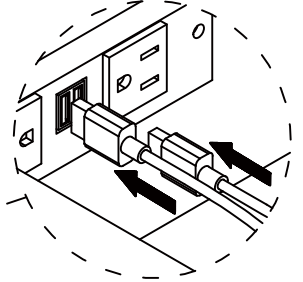
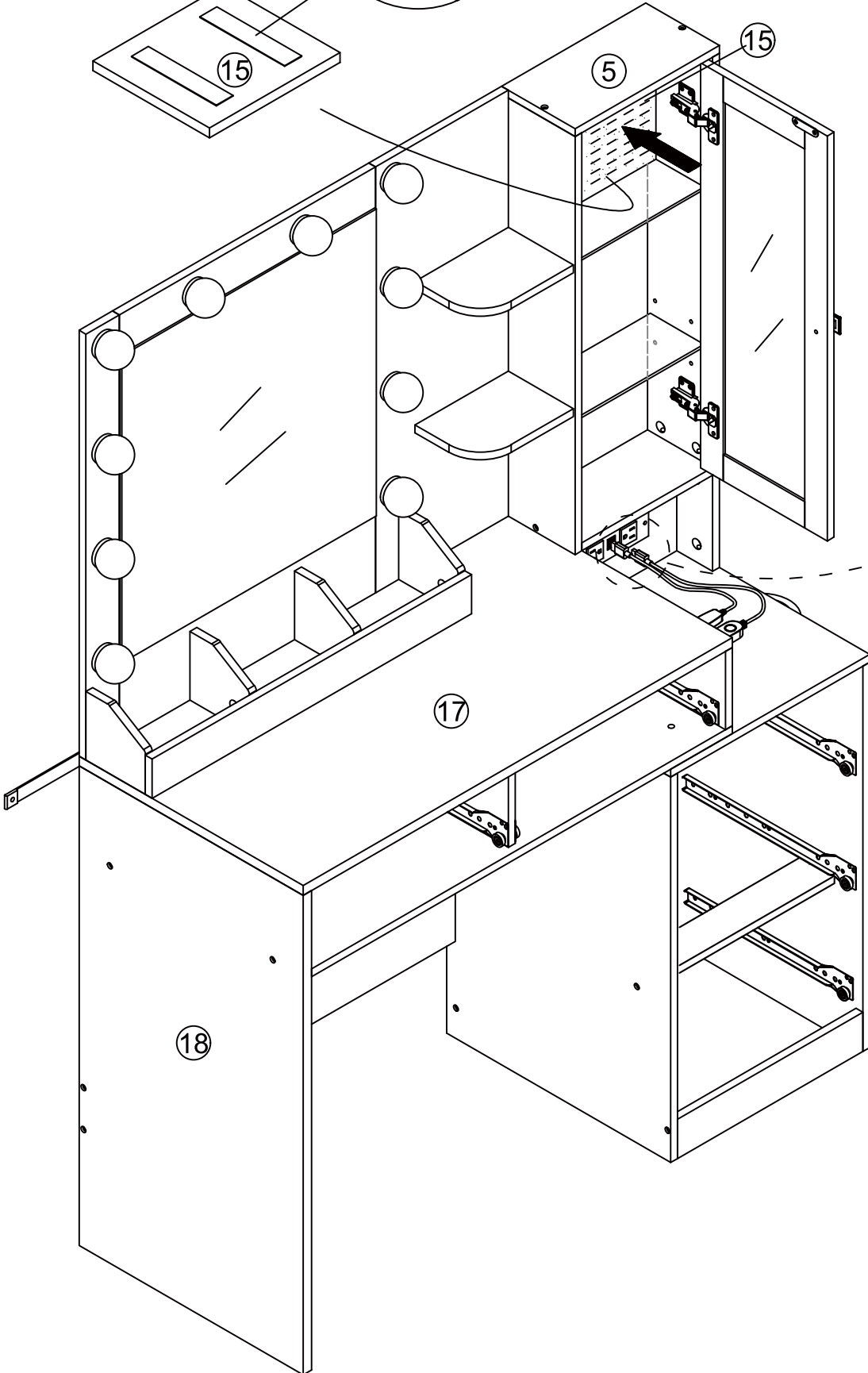
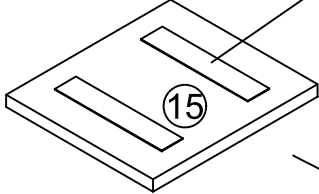
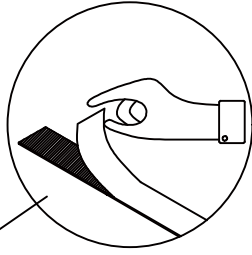
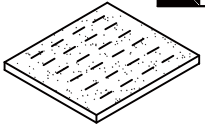
T x8

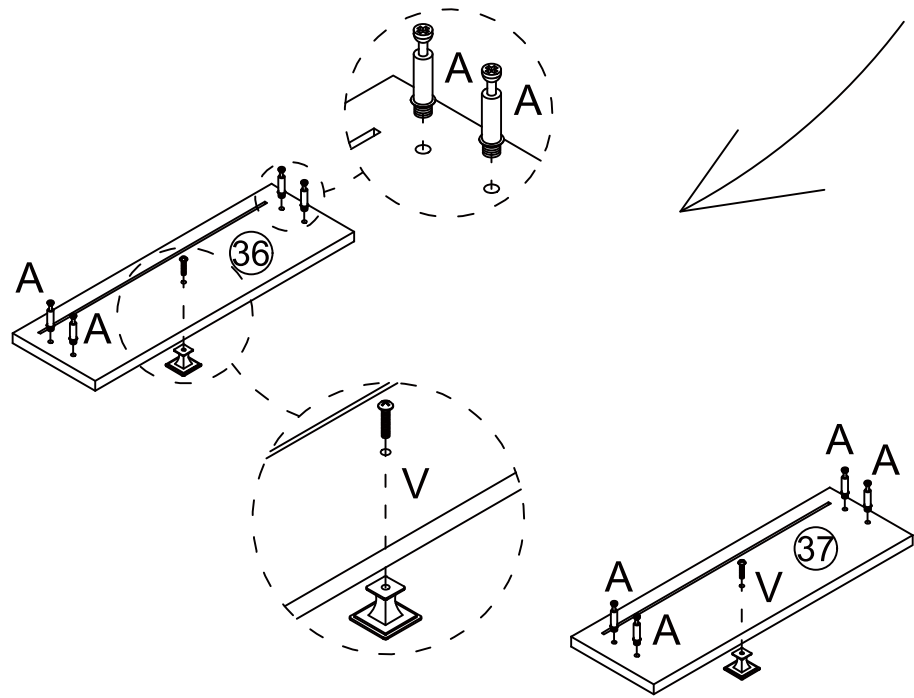
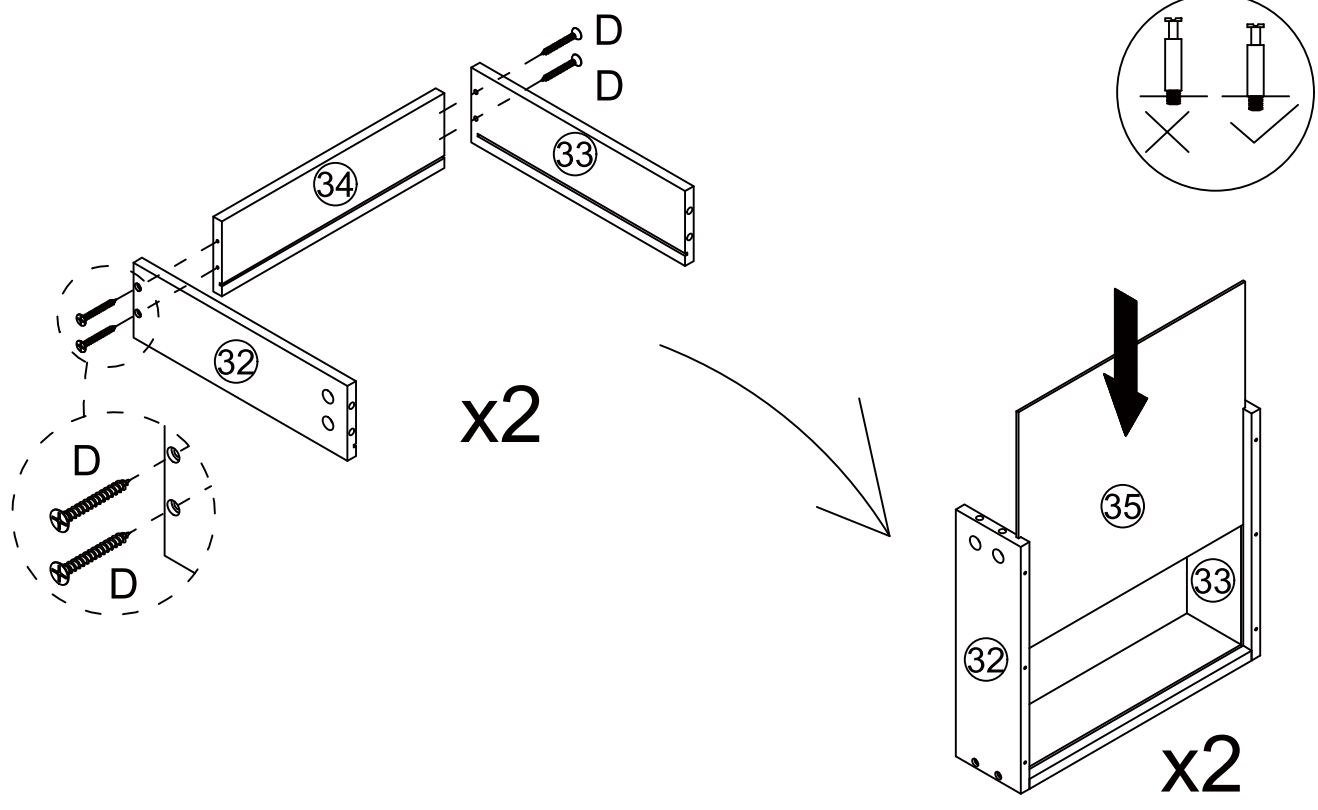
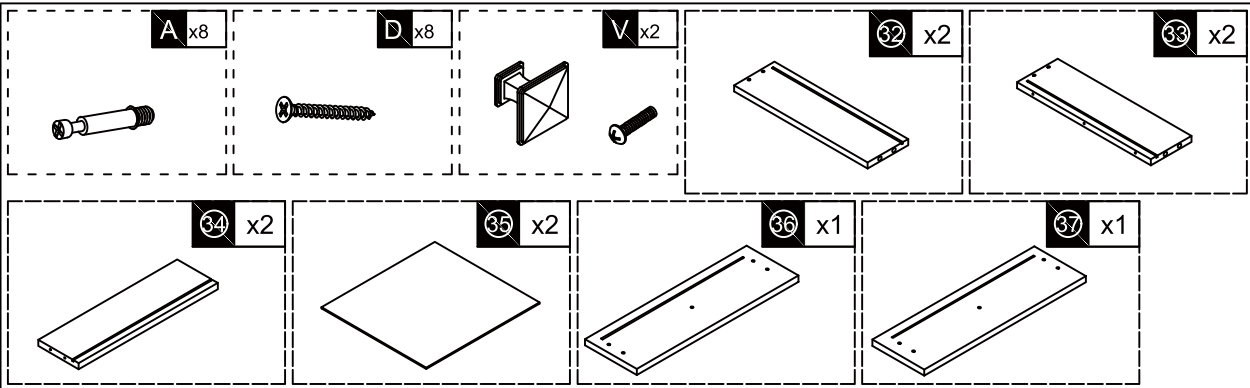
8 x2





15 x1



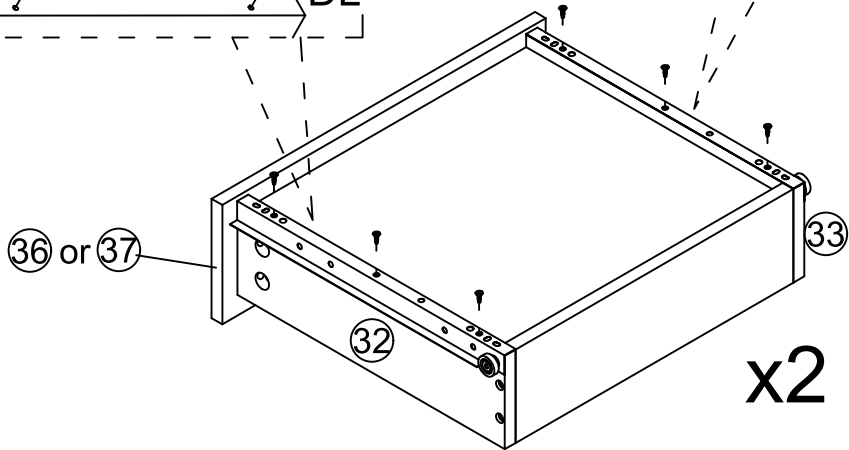
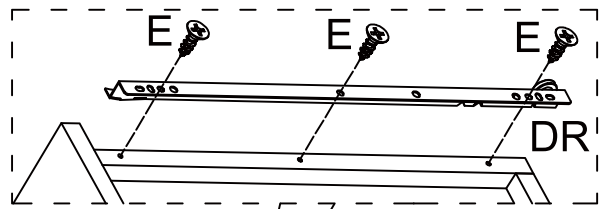
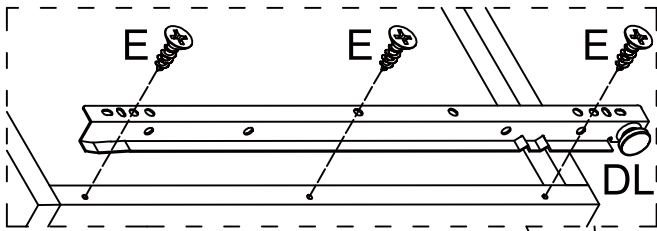
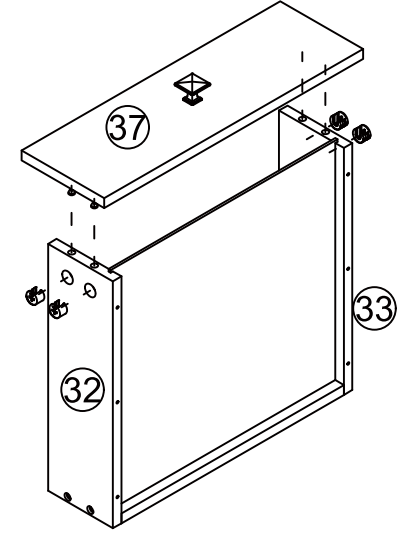
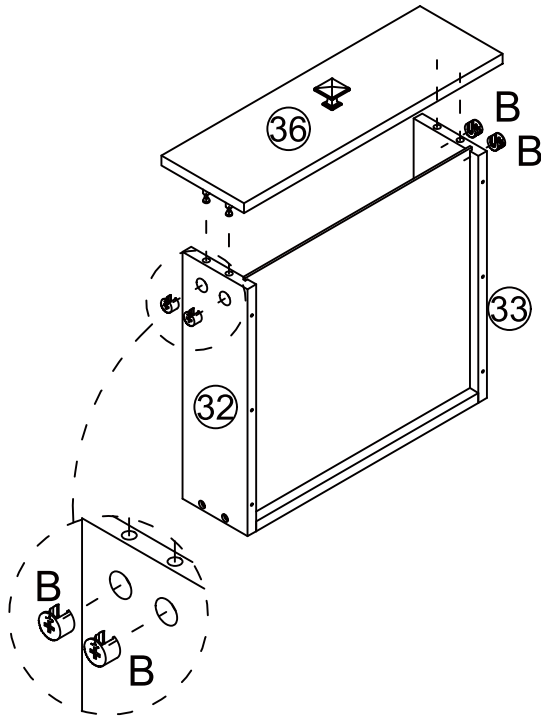
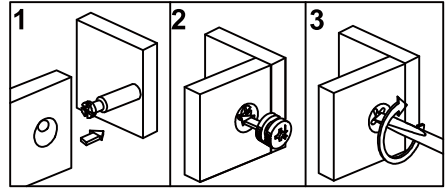


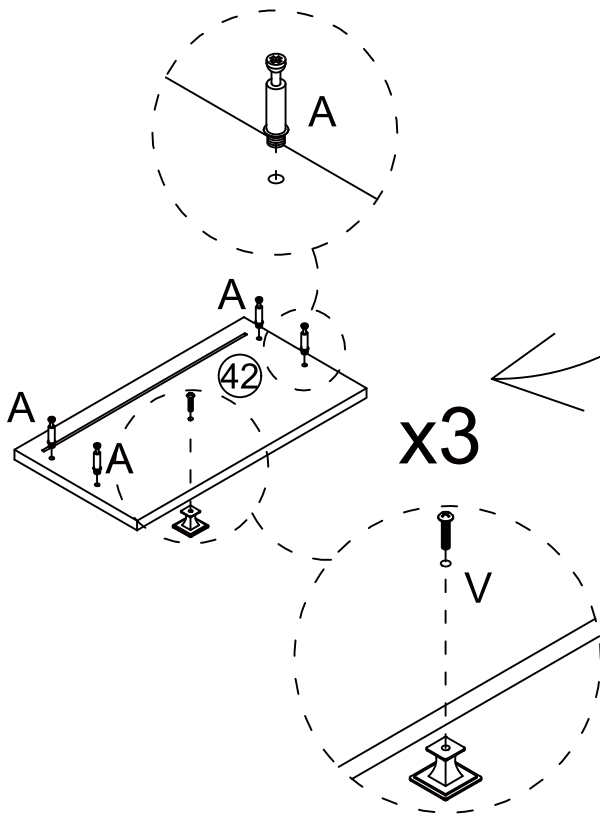
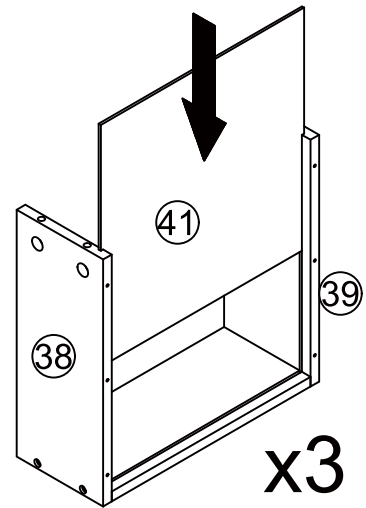
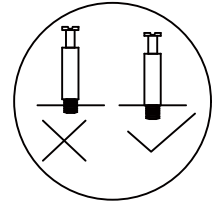
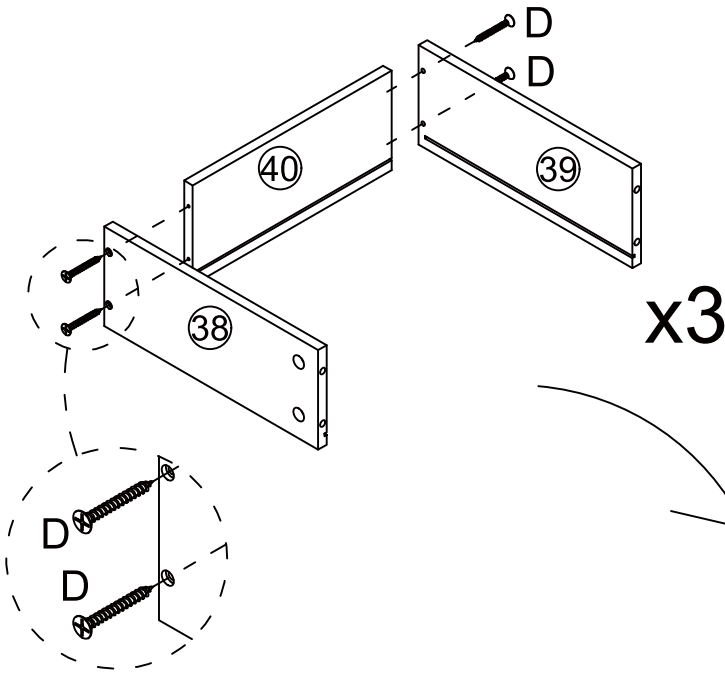
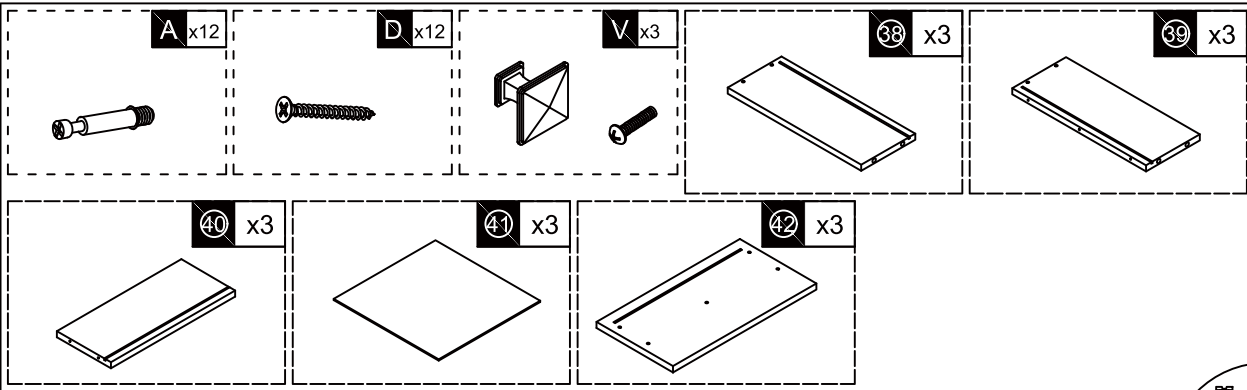
B x8

E x12

DL x2

DR x2



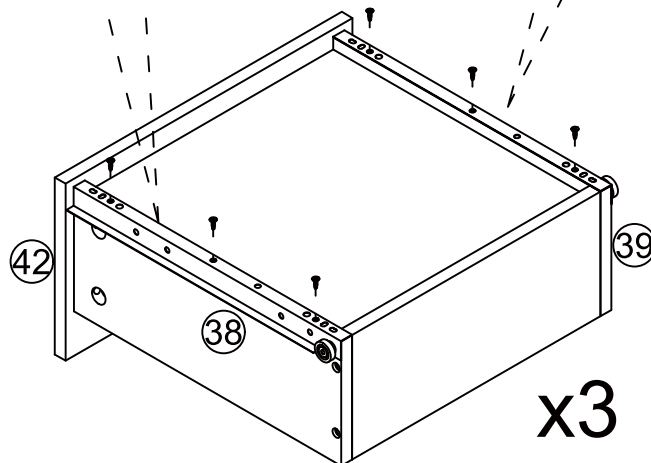
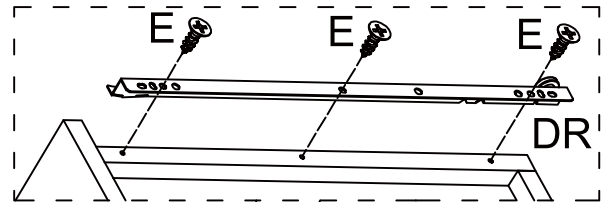
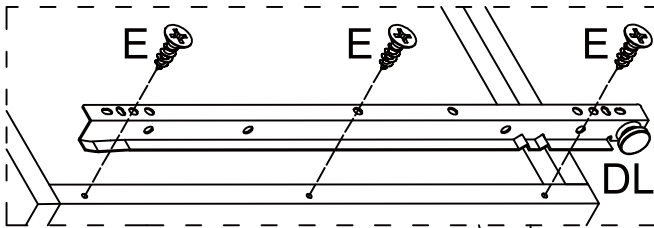
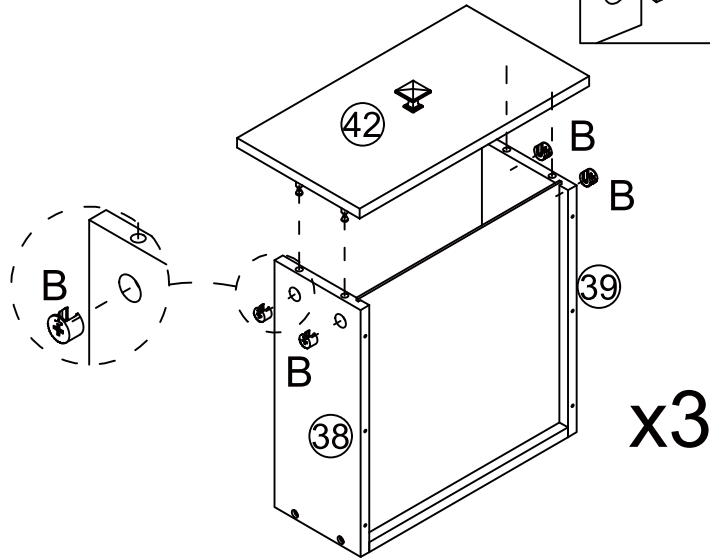
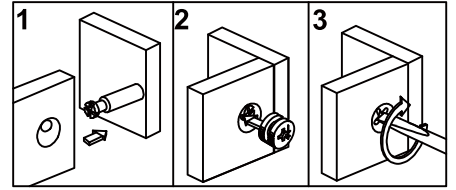


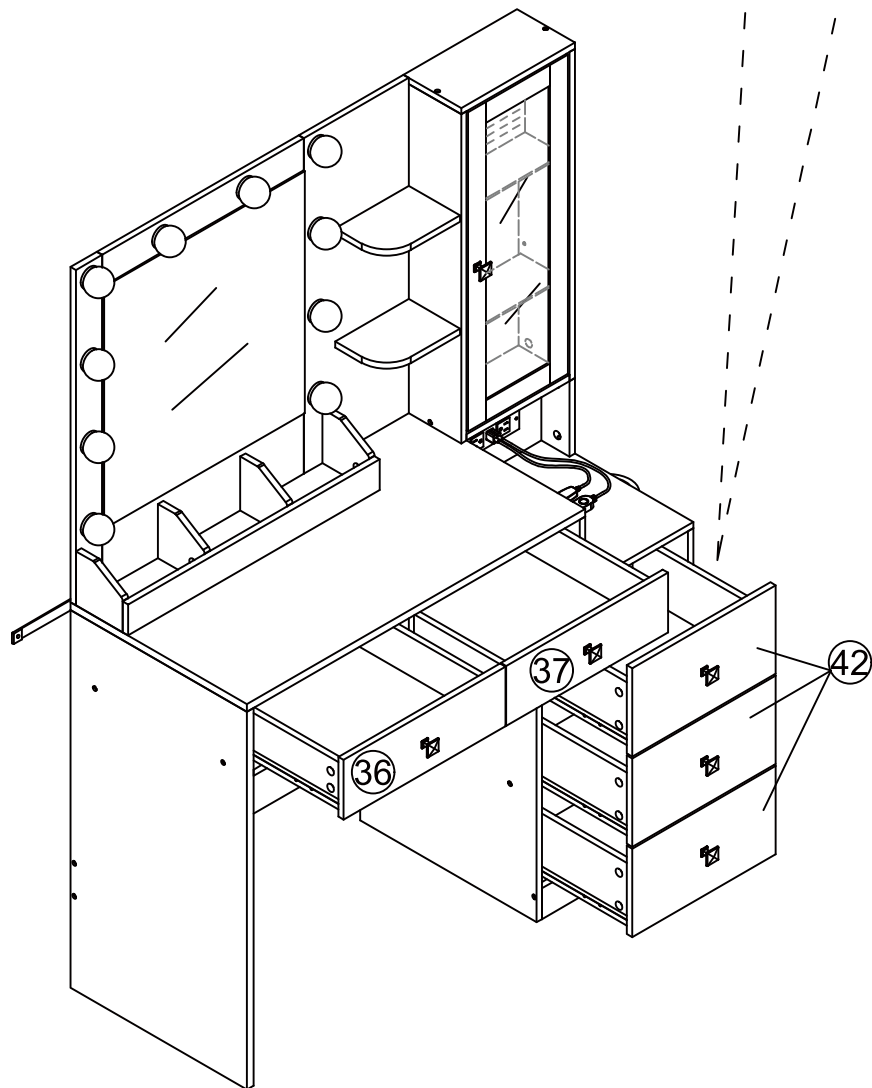
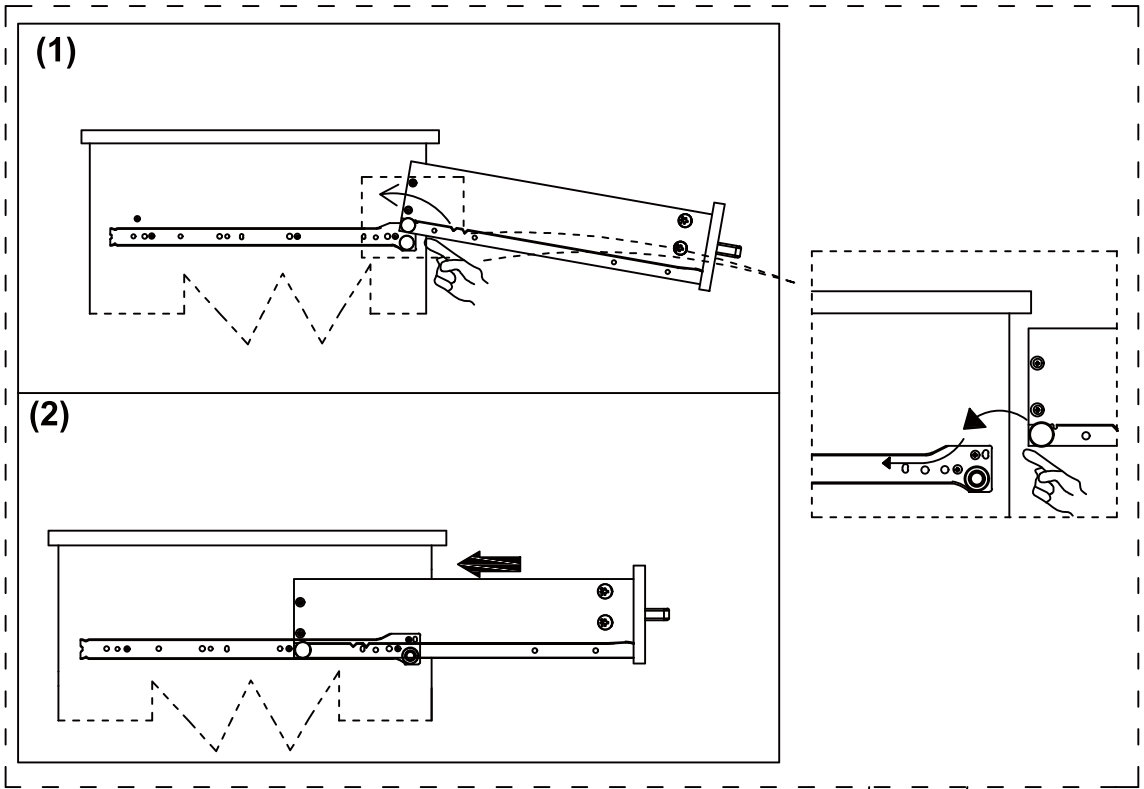
B x12

E x18

DL x3

DR x3

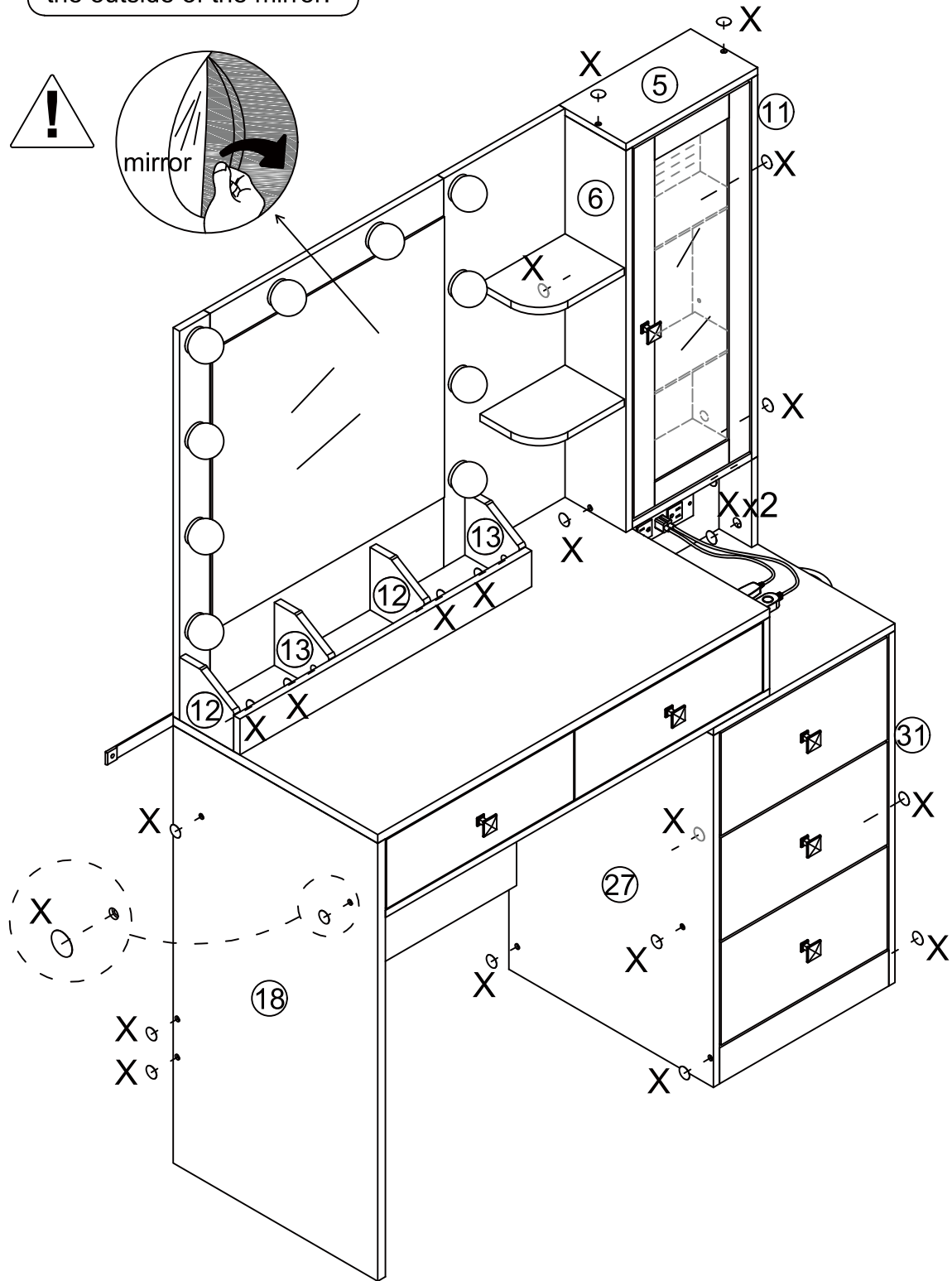
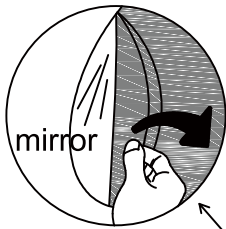




X x22



Please tear off the film on the outside of the mirror.

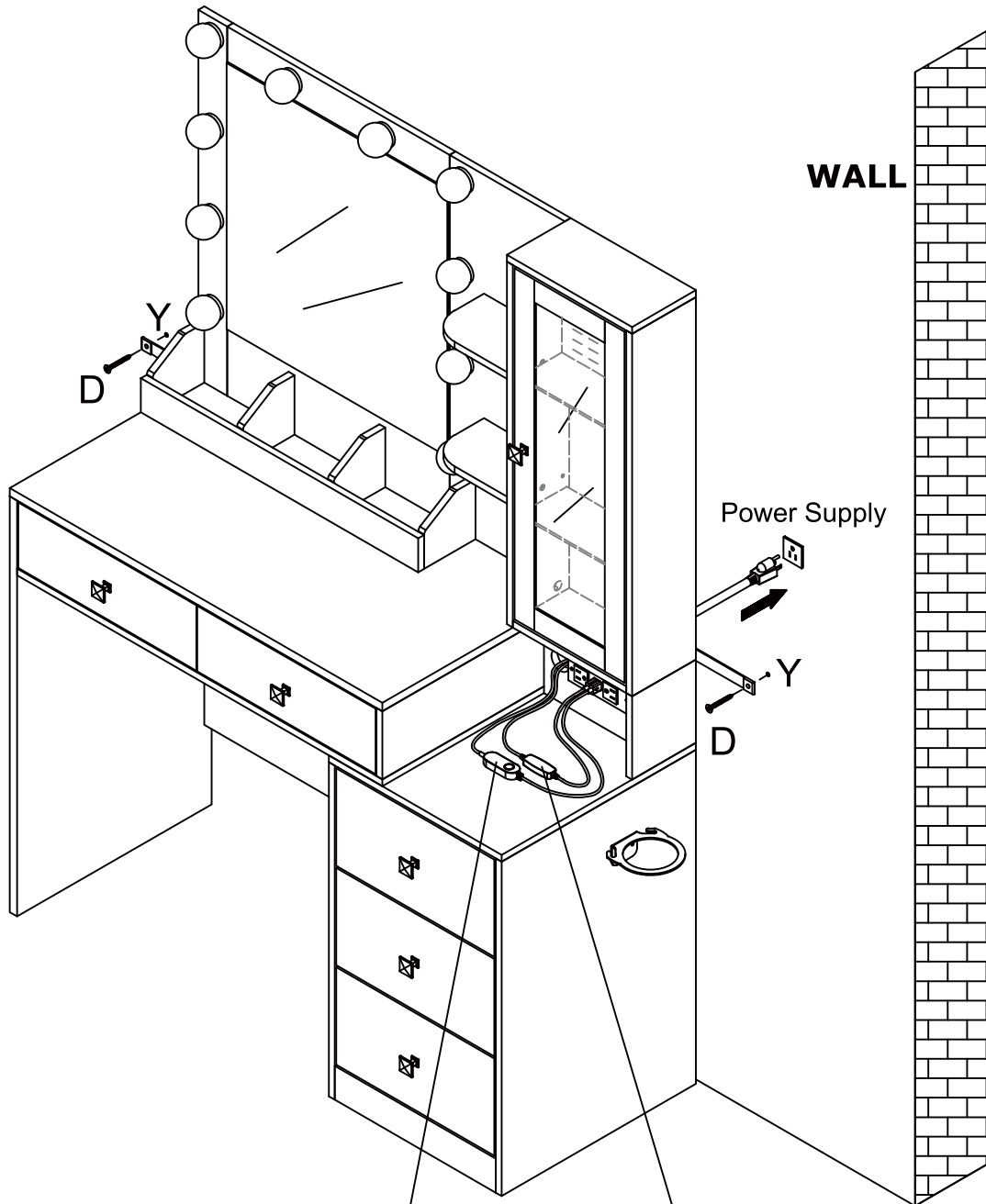
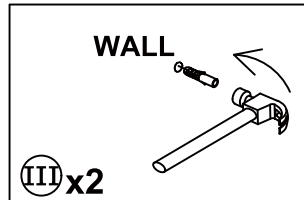
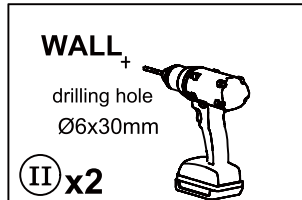
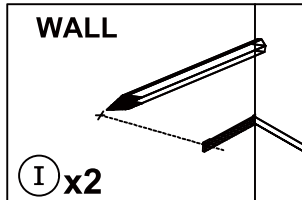


Done

D x2



Y x2

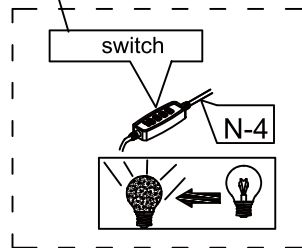


Power Supply



Y

D



Scan qr code to download APP
Bluetooth control

OR

Flip to the other side for
key control

