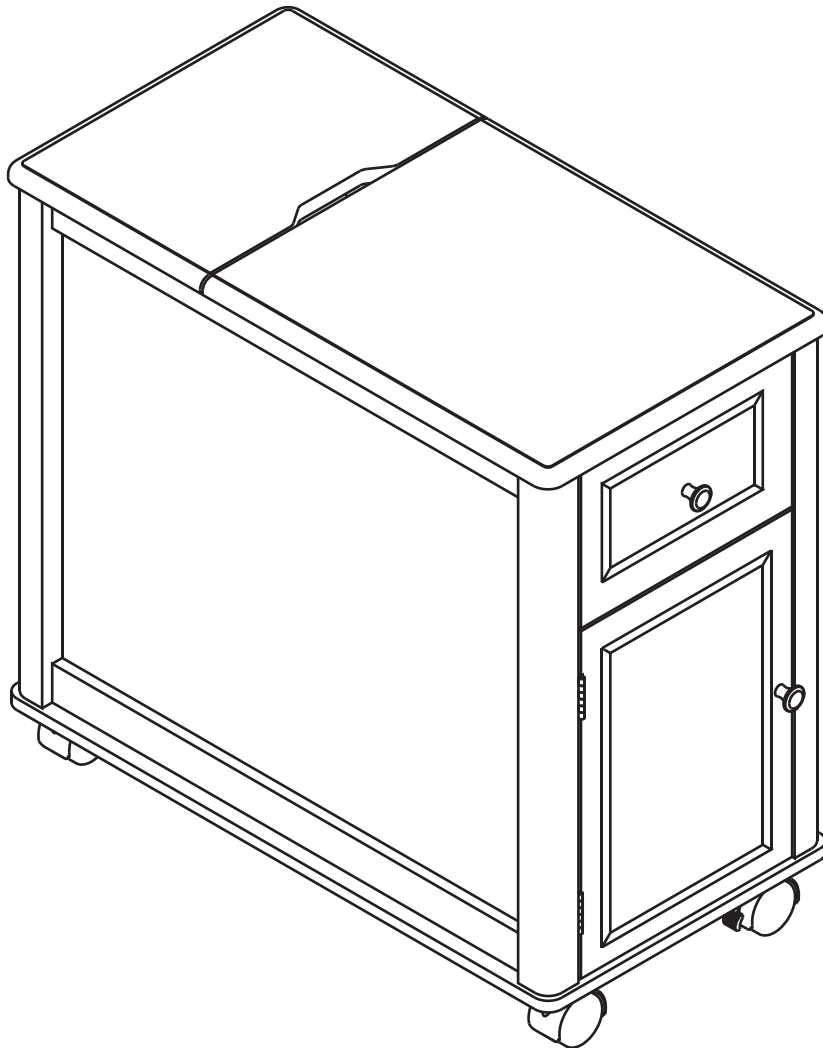


Installation & Assembly



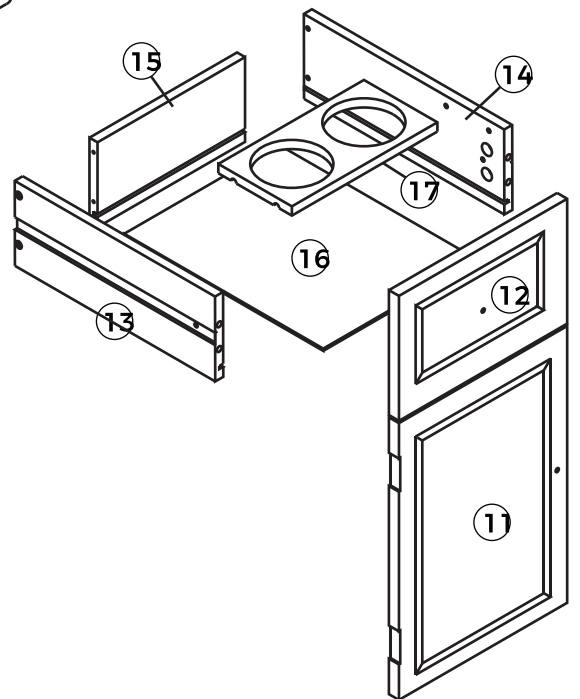
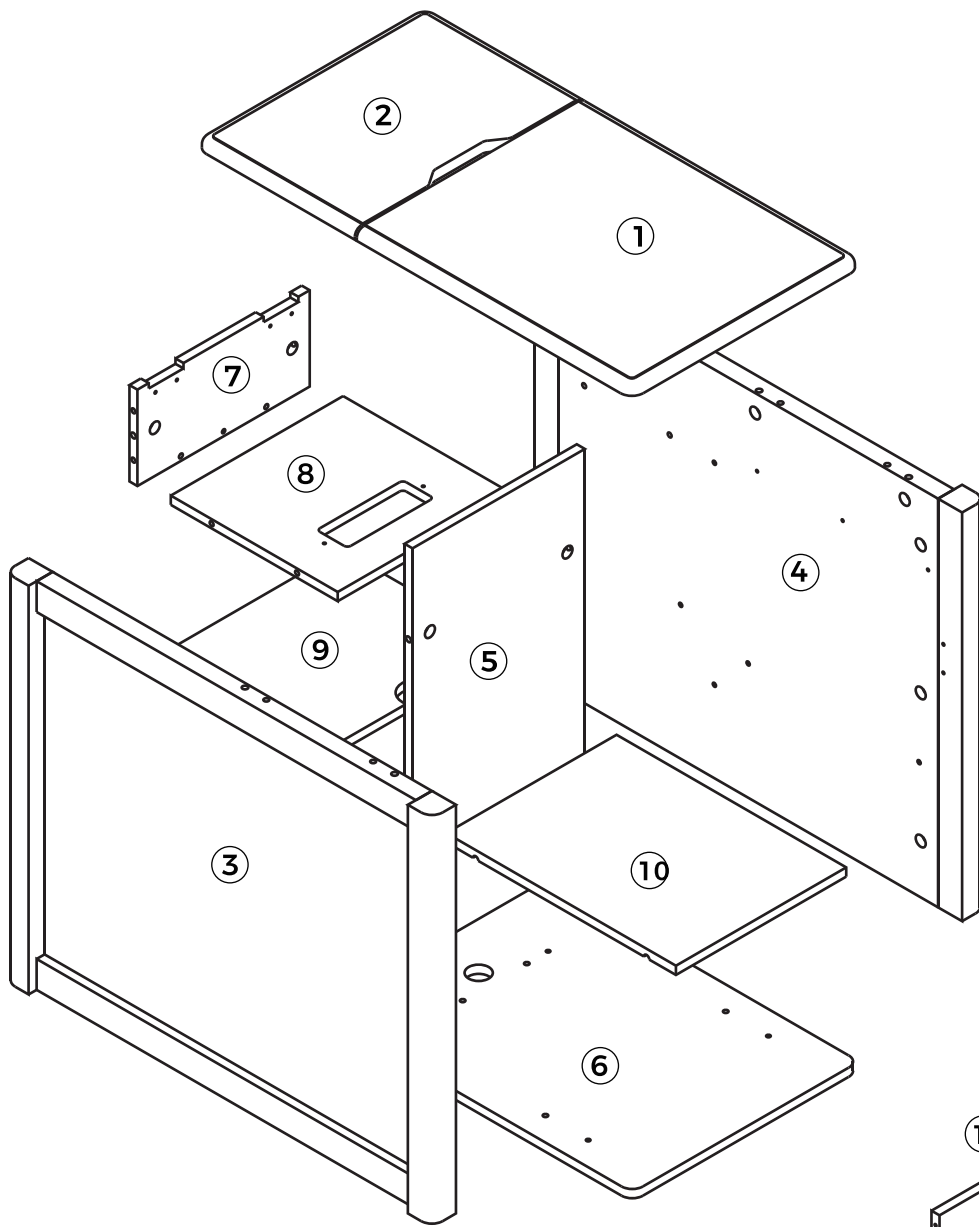
60 mins



Dual-person

END TABLE

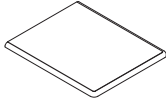

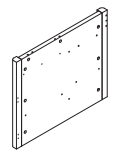
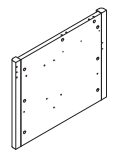
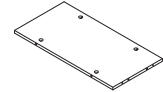
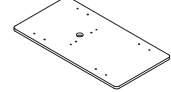
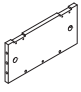
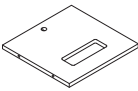
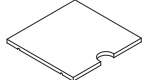
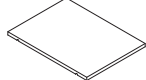
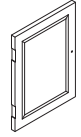
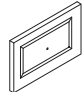
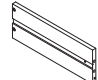
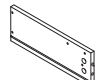
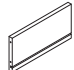
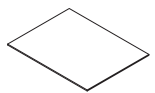
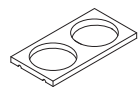
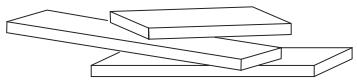
Assembly Instructions - Please keep for future reference
Important - Please read these instructions before assembly



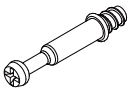

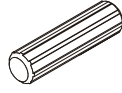


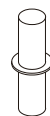

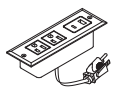


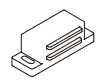








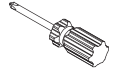
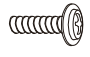


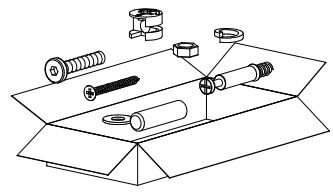
Components

Please check if all the pieces listed below are received.

Wood Accessories List

1  x 1	2  x 1	3  x 1	4  x 1	5  x 1	6  x 1	7  x 1
8  x 1	9  x 1	10  x 1	11  x 1	12  x 1	13  x 1	14  x 1
15  x 2	16  x 1	17  x 1				

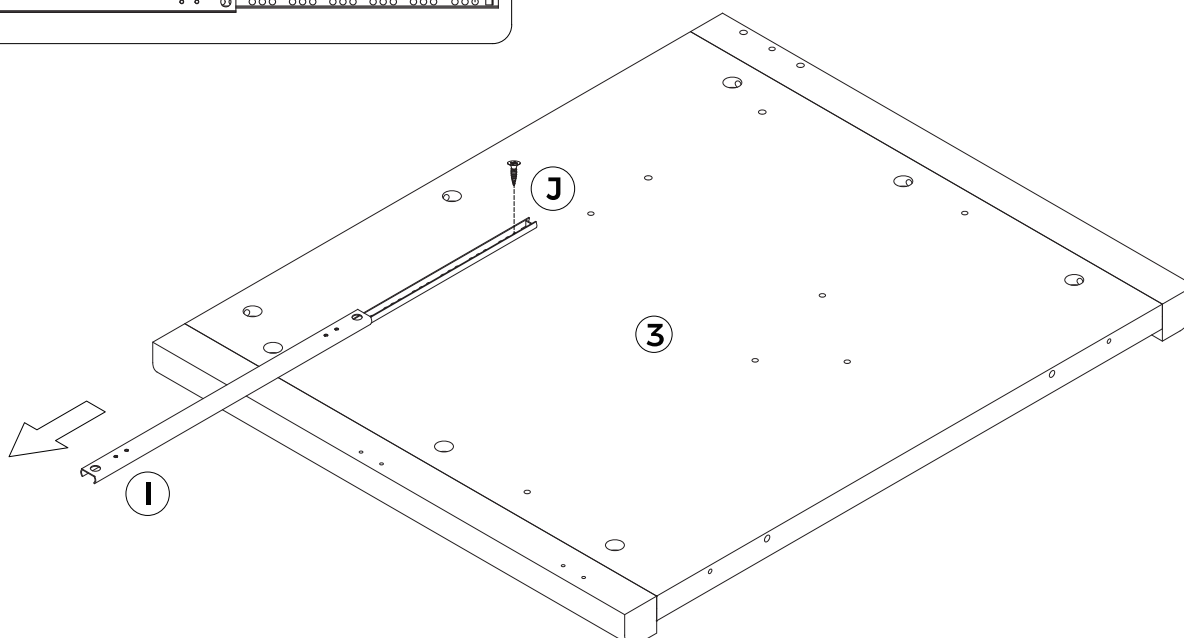
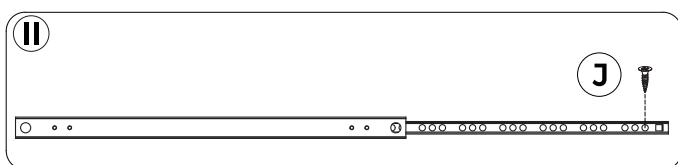
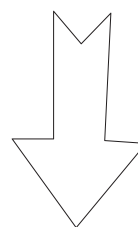
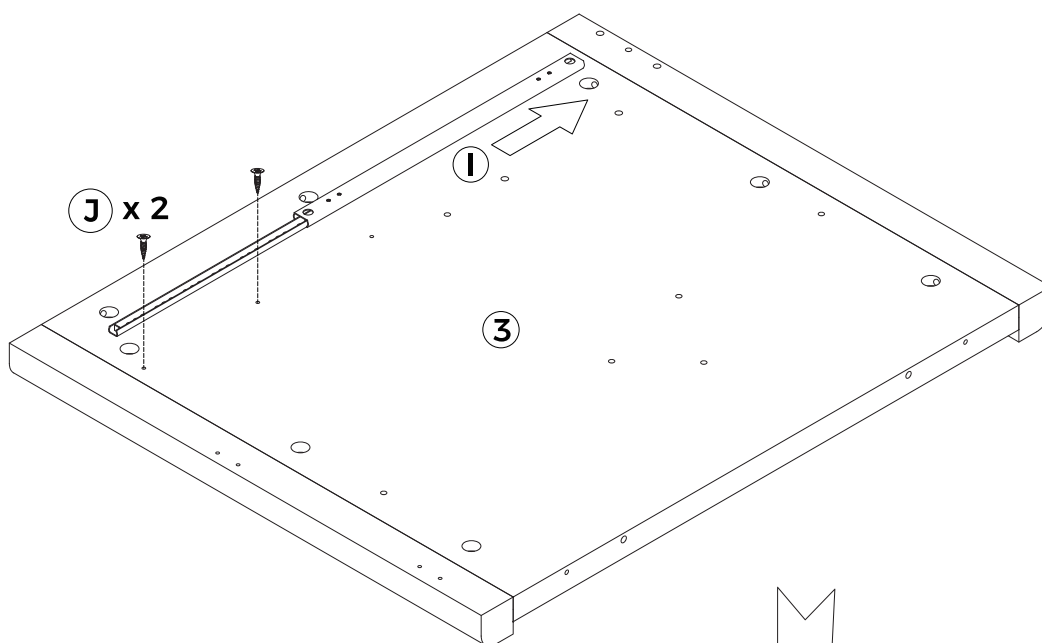
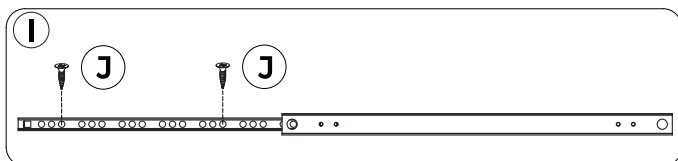
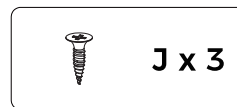
Accessories List

A  Connecting Rod x 15+2	B  Eccentric Cam x 15+2	C  Connecting Bolt x 20+2	D  Screw M4x20mm x 2	E  Cap Nut x 2	F  Dowel Connector x 12+1	G  Screw M5x48mm x 6
H  Charging Socket x 1	I  Drawer rail x 2	J  Screw M3.5x12mm x 8+1	K  Magnetic Catch x 1	L  Magenetic Iron Piece x 1	M  Screw M3.5x16mm x 2	N  Screw M4x30mm x 4
O  Screw M3.5x12mm x 18+2	P  Hinge x 2	Q  Hinge x 2	R  Cover Sticker x 23+2	S  Cup Holder x 2	T  Screwdriver x 2	U  Screw M4x12mm x 2
V  Caster x 4	W  Screw M4x12mm x 16+2					

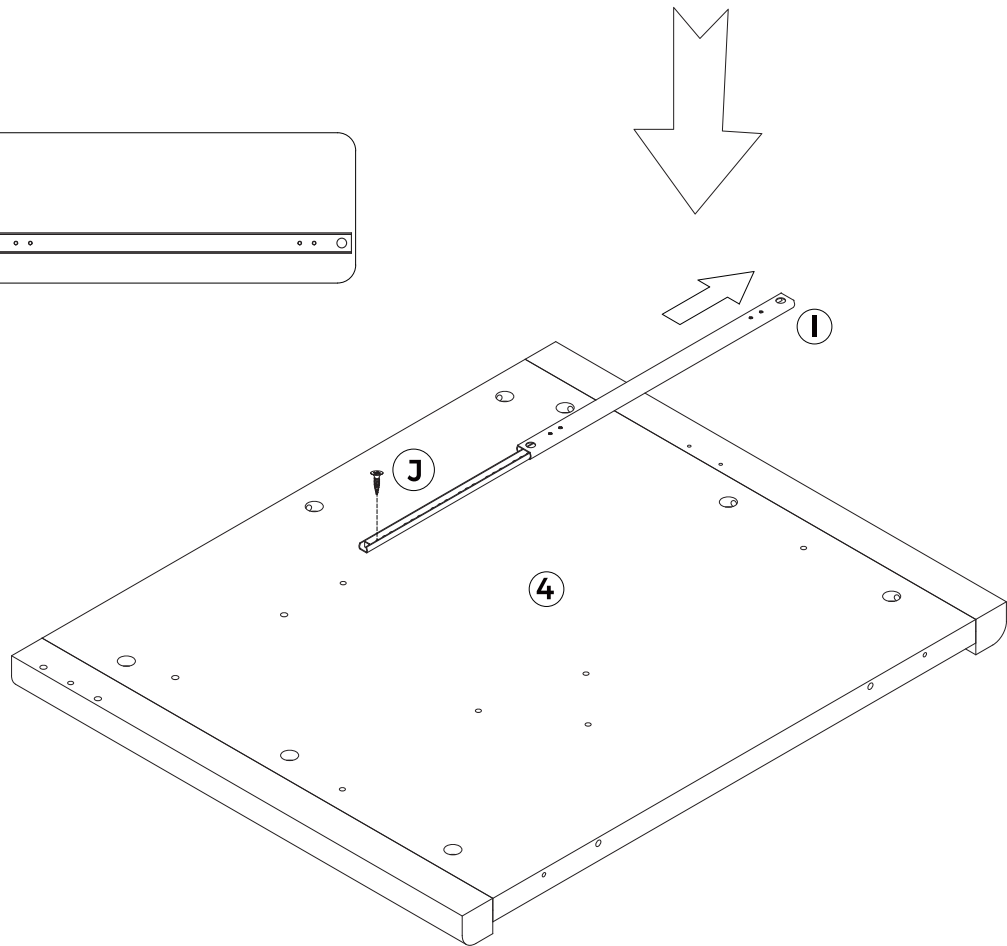
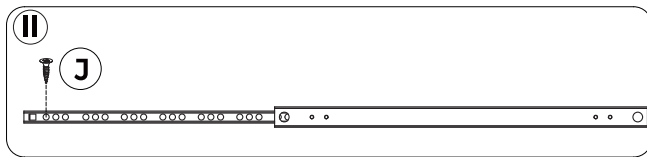
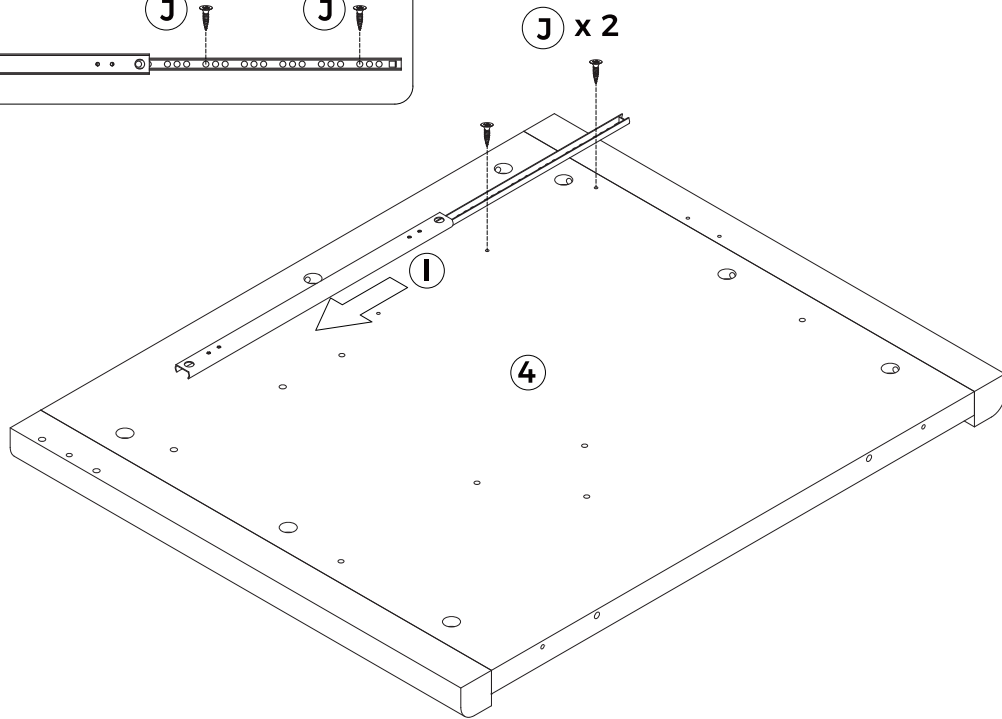
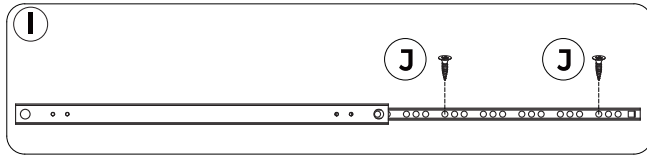
Assembly Instructions

CAUTION : Inappropriate installation of screws will cause damages to the product !

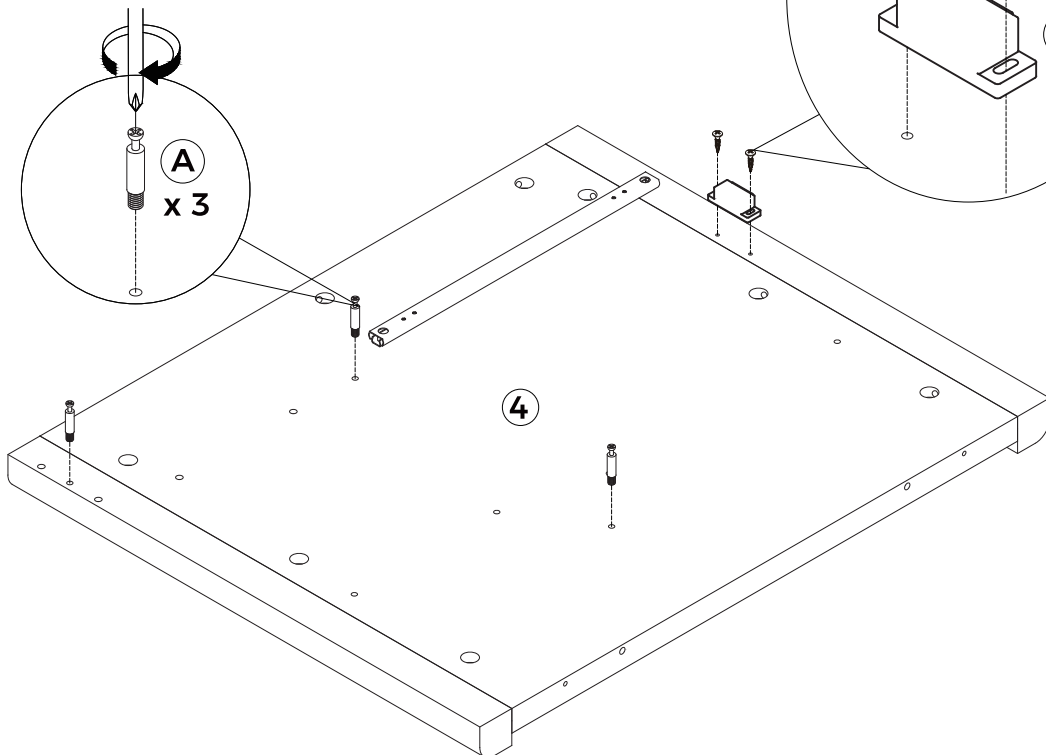
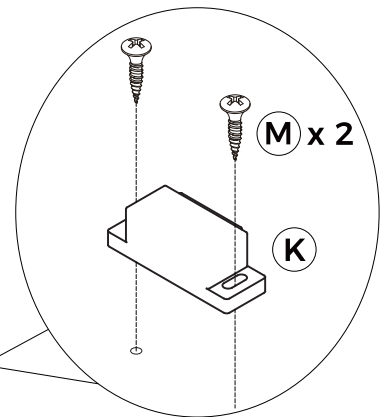
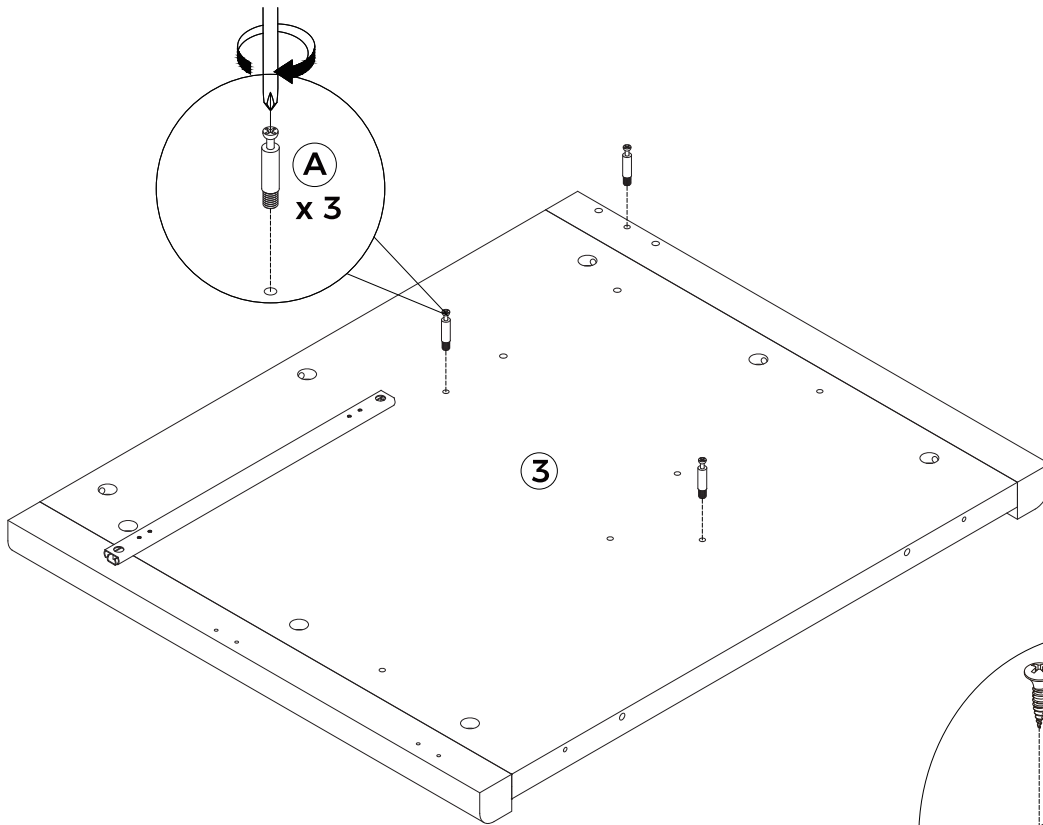
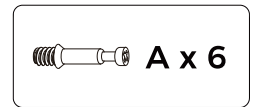
Step 1



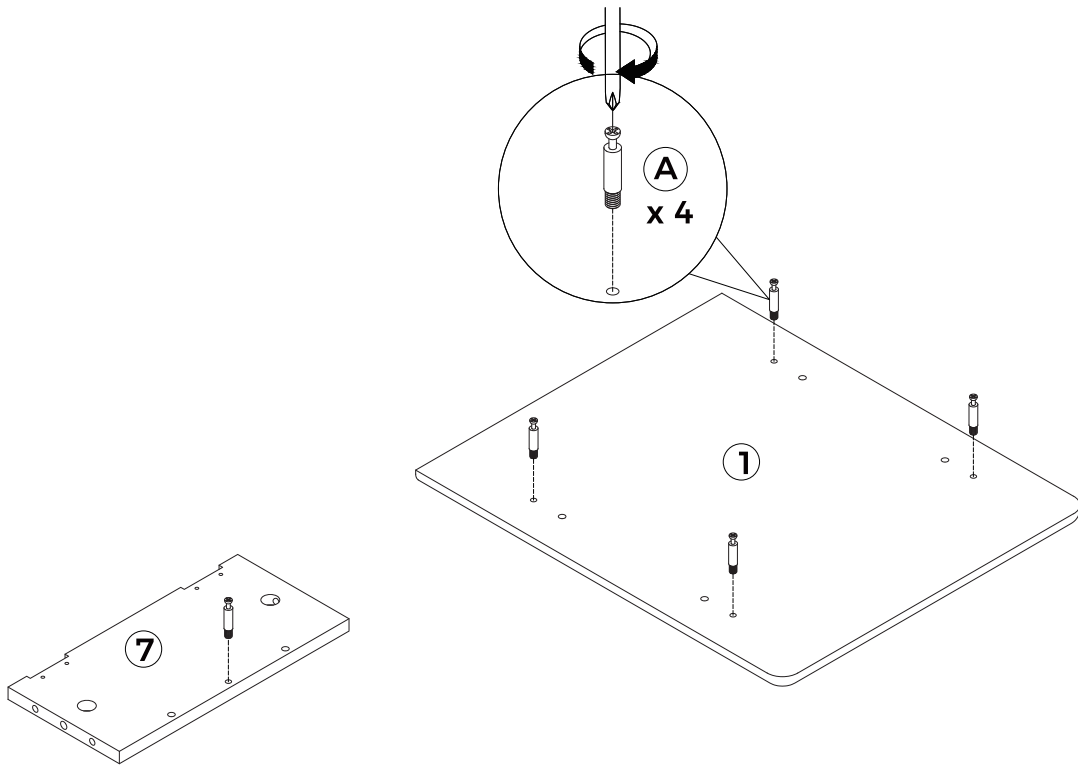
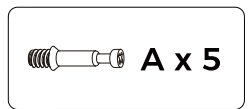
Step 2



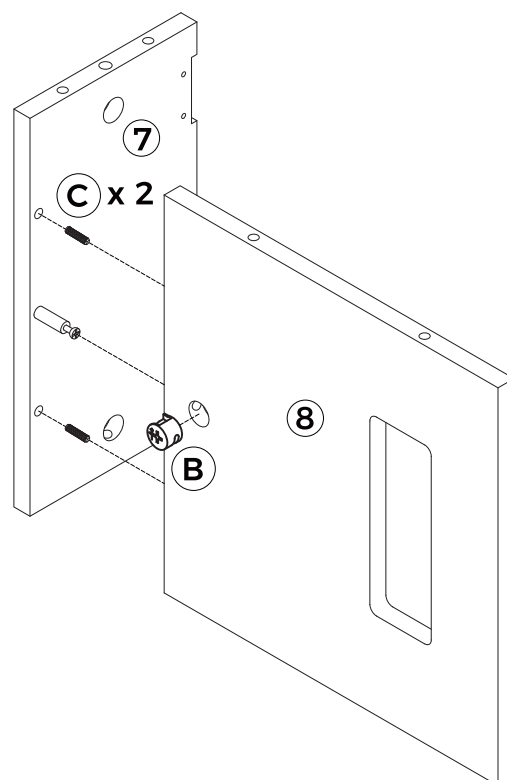
Step 3



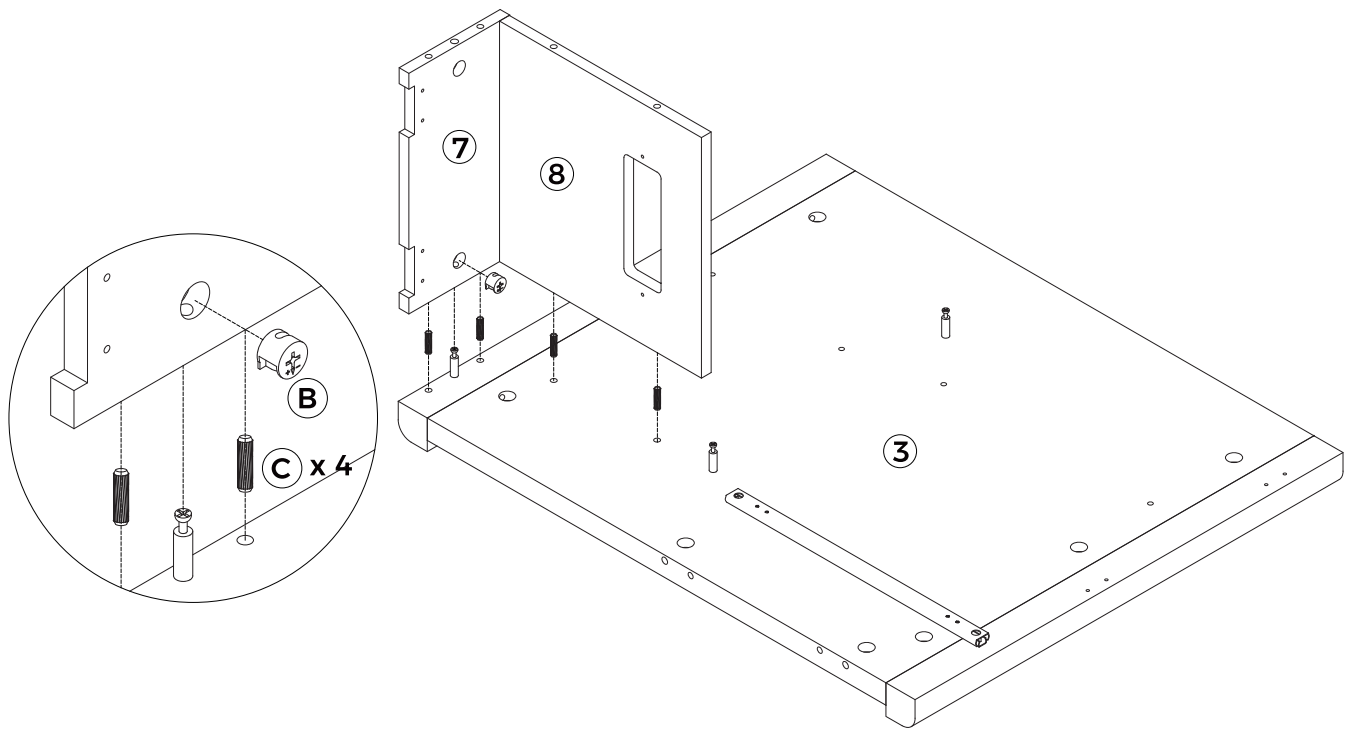
Step 4



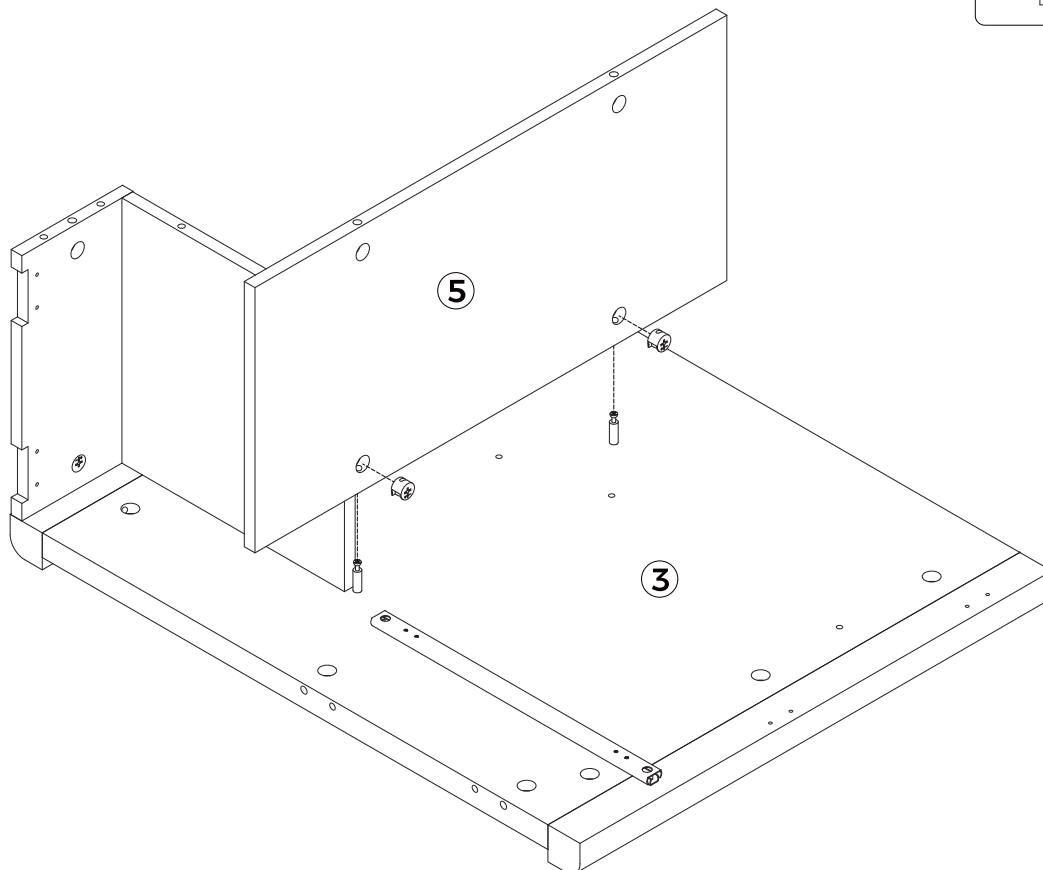
Step 5



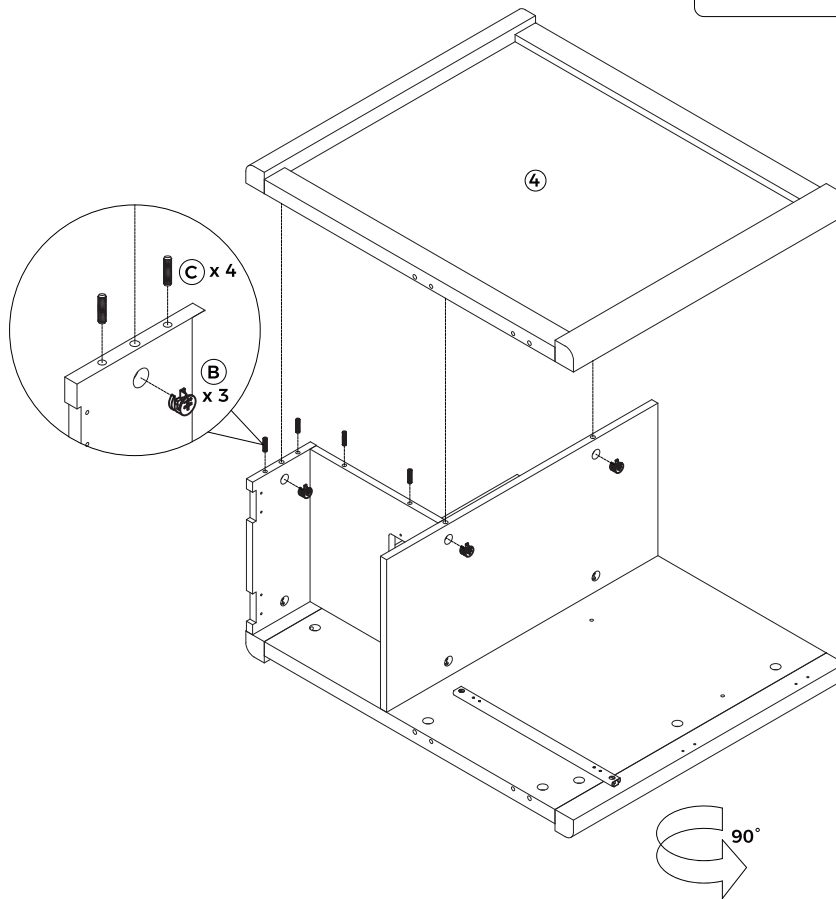
Step 6



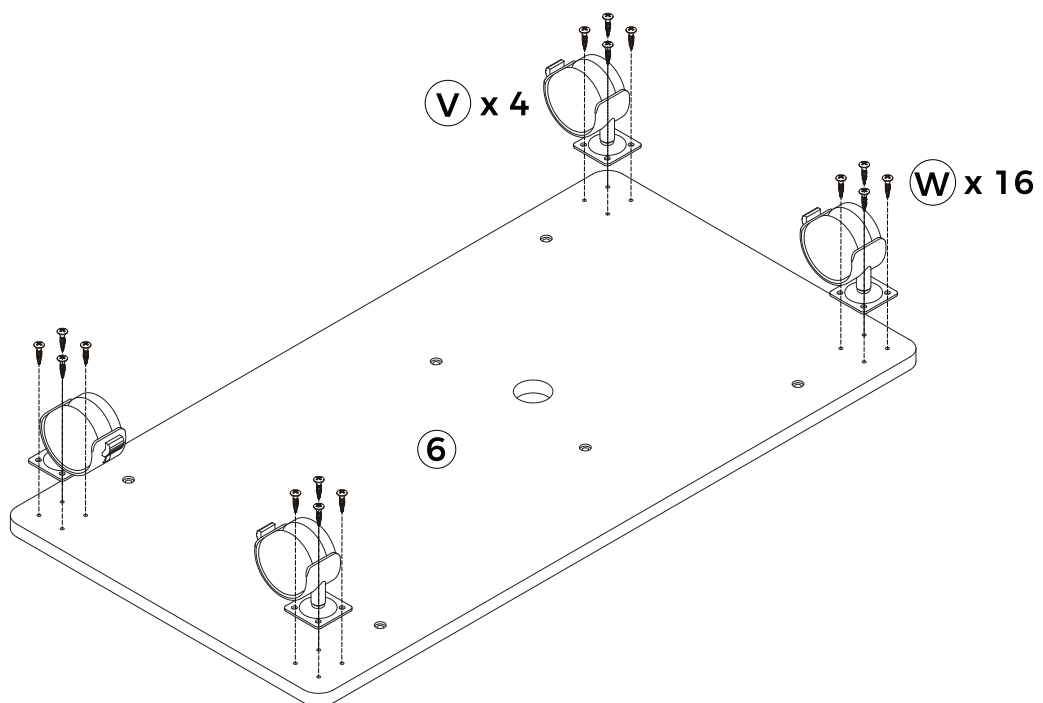
Step 7



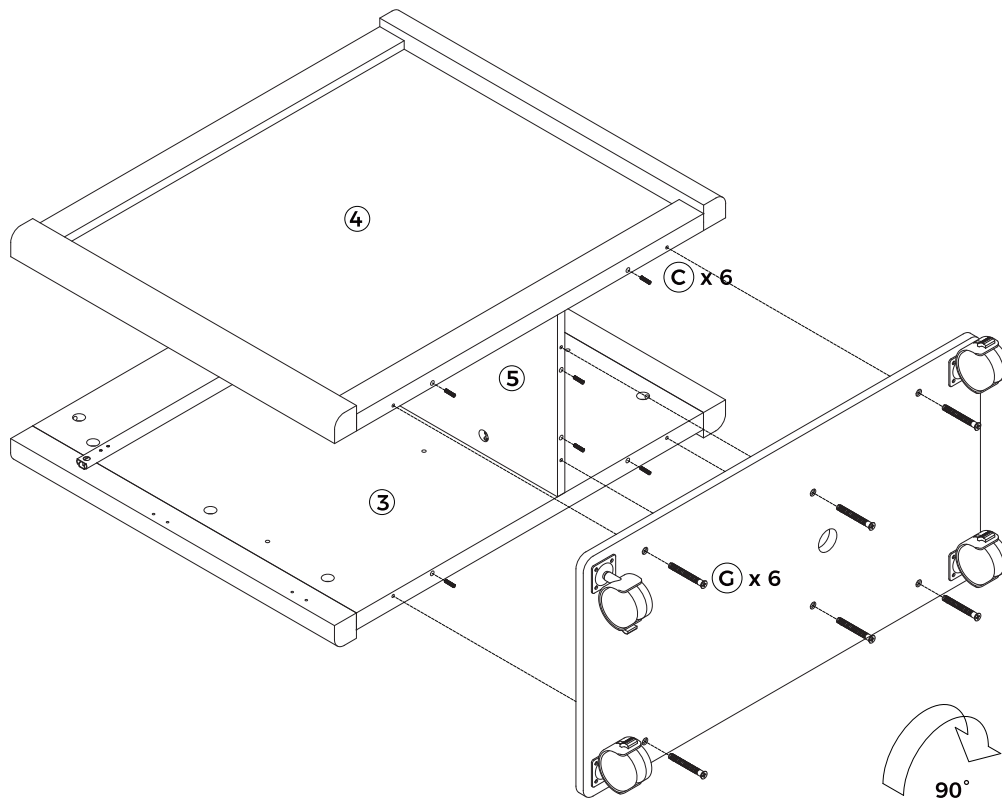
Step 8



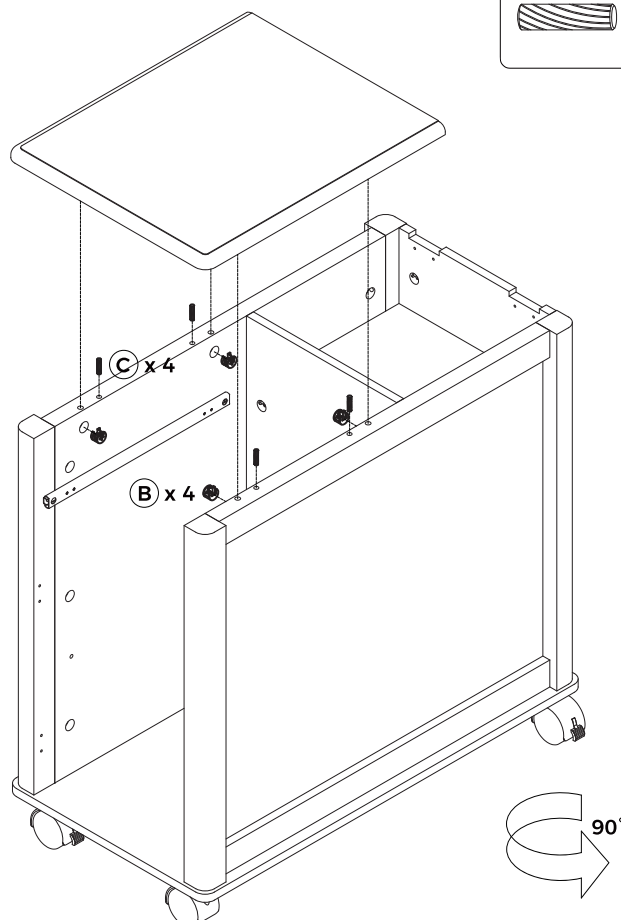
Step 9



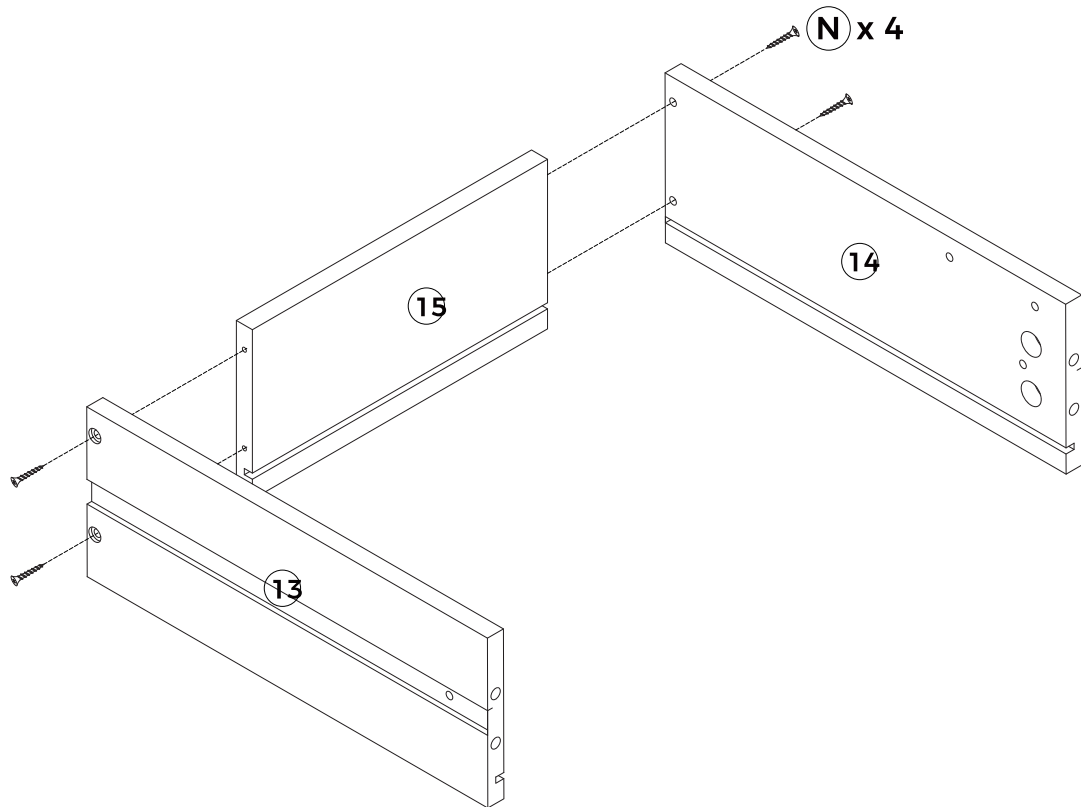
Step 10



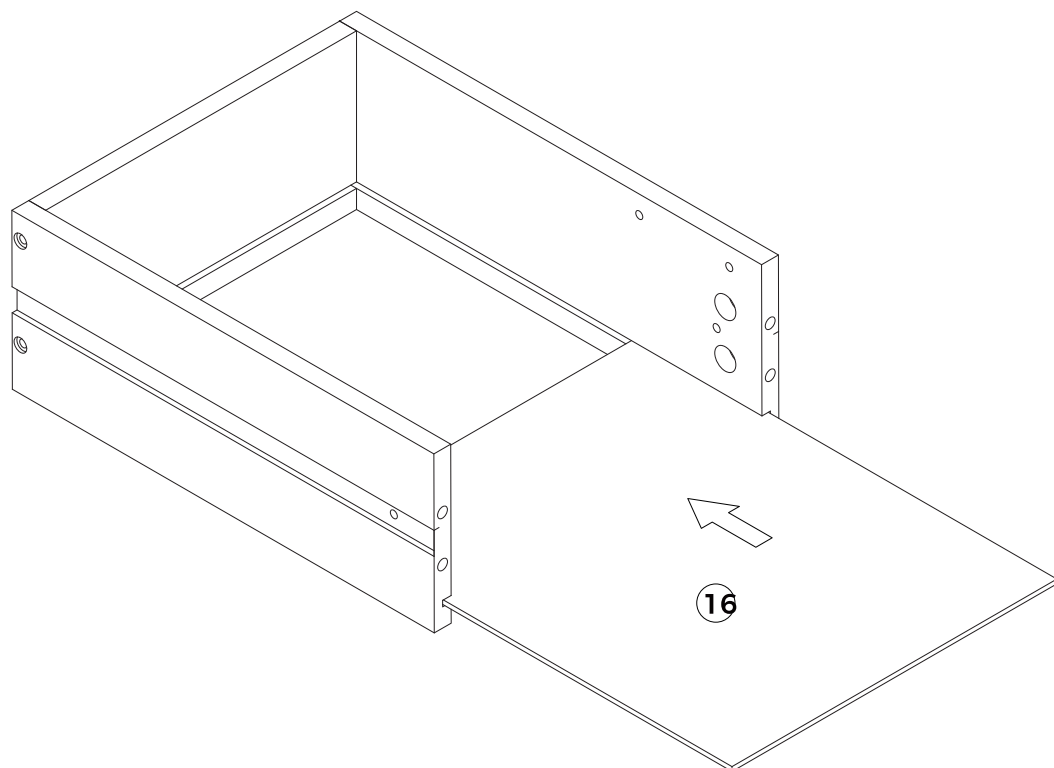
Step 11



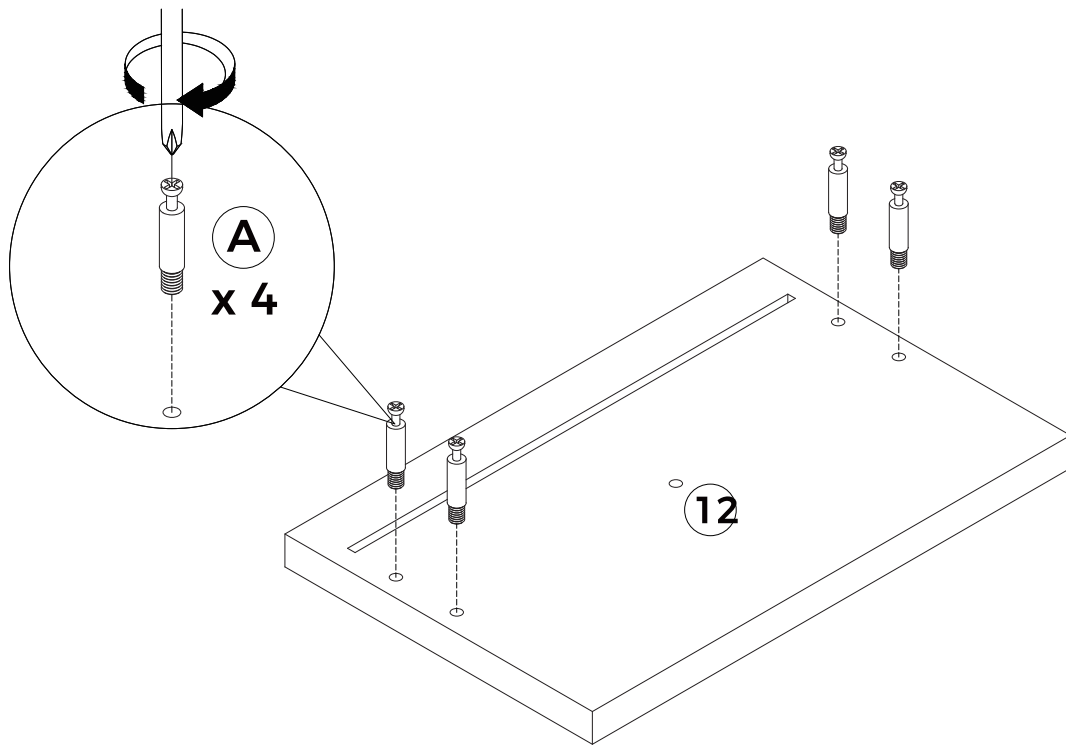
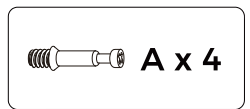
Step 12



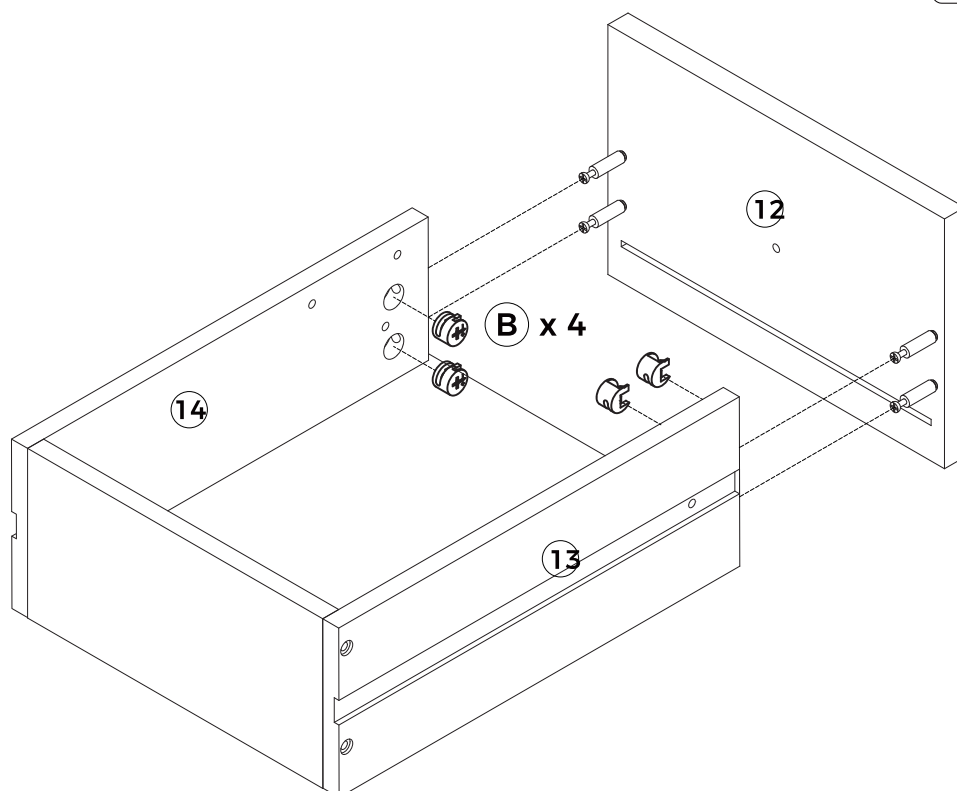
Step 13



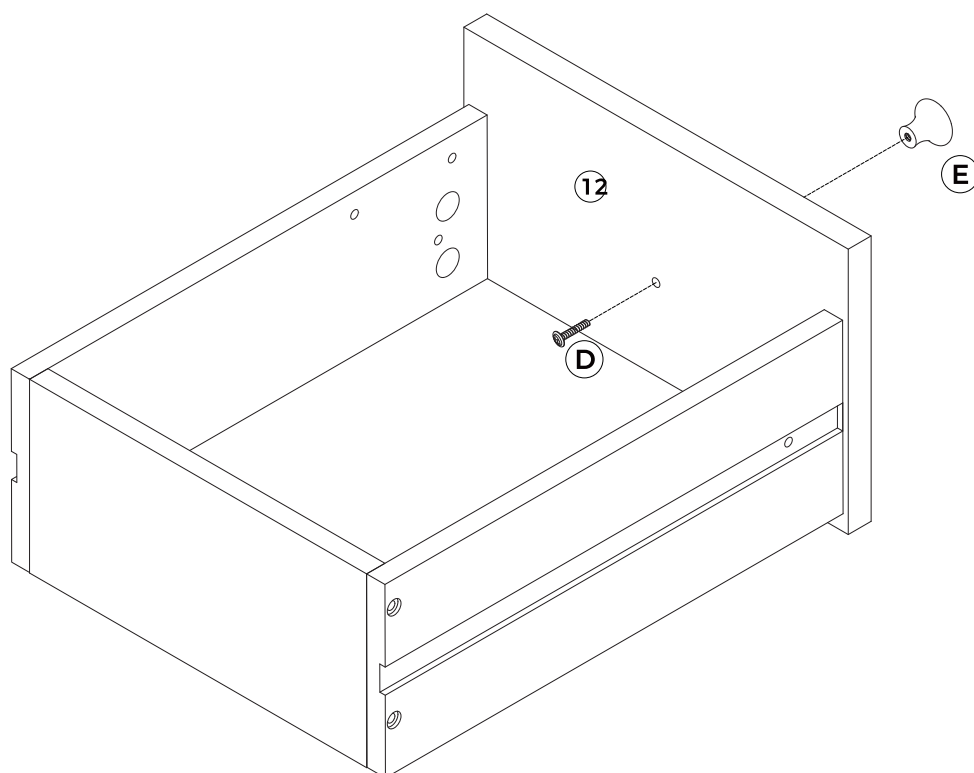
Step 14



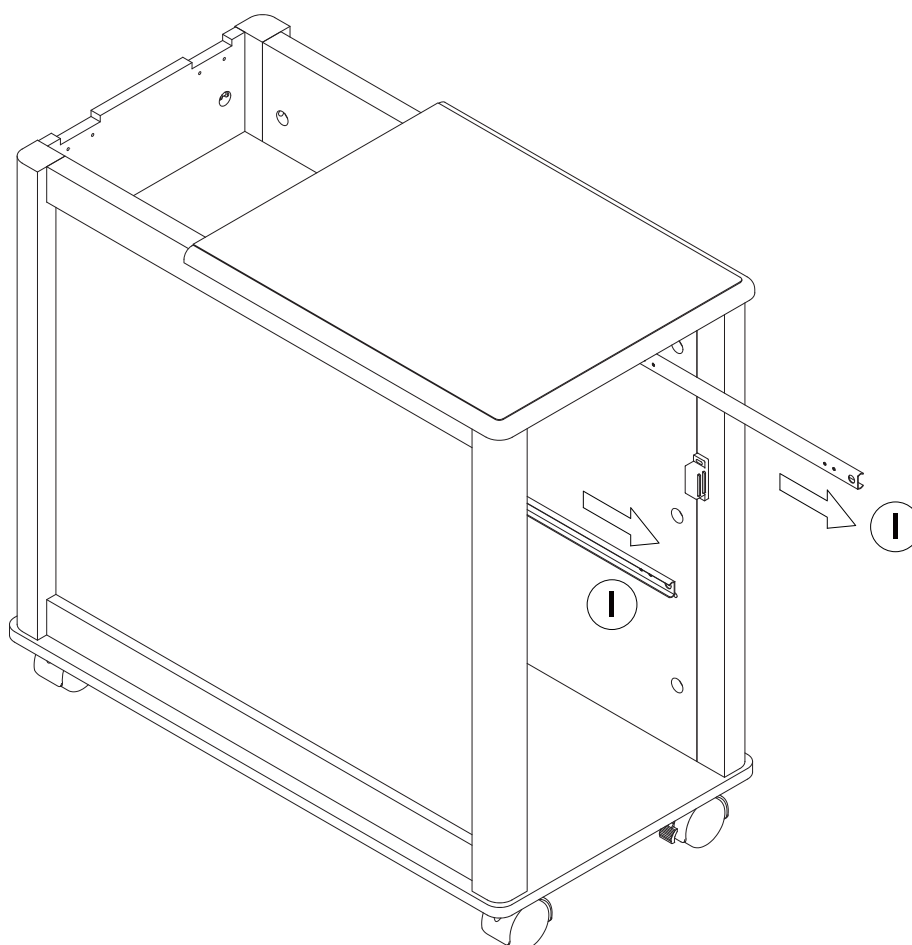
Step 15



Step 16

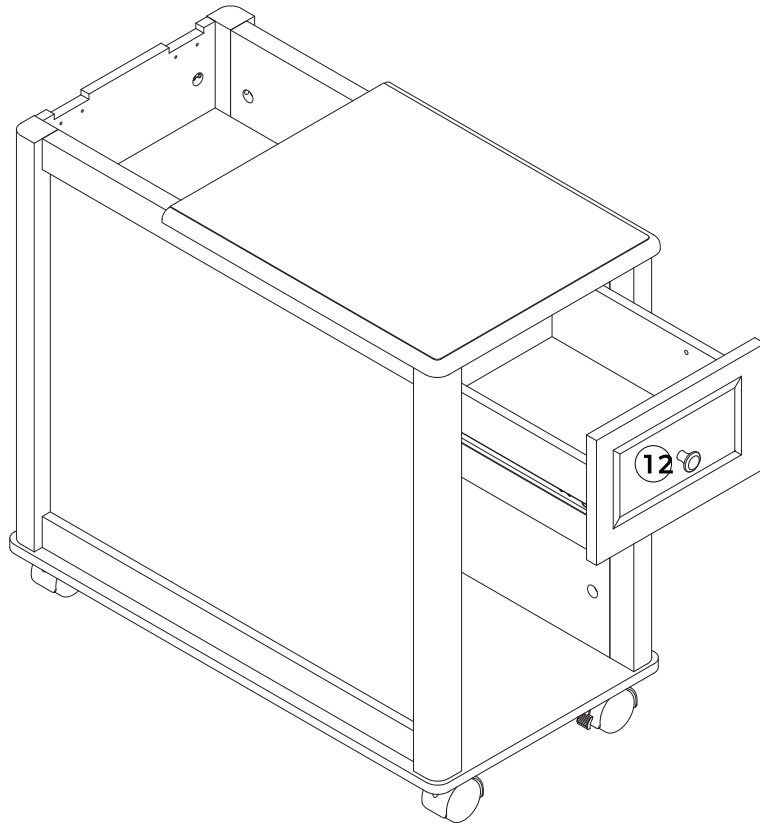
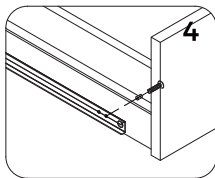
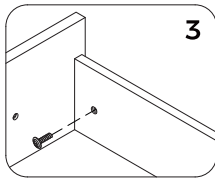
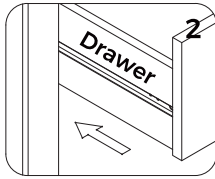
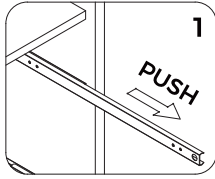


Step 17



Step 18

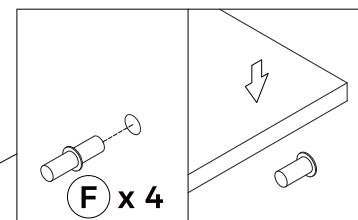
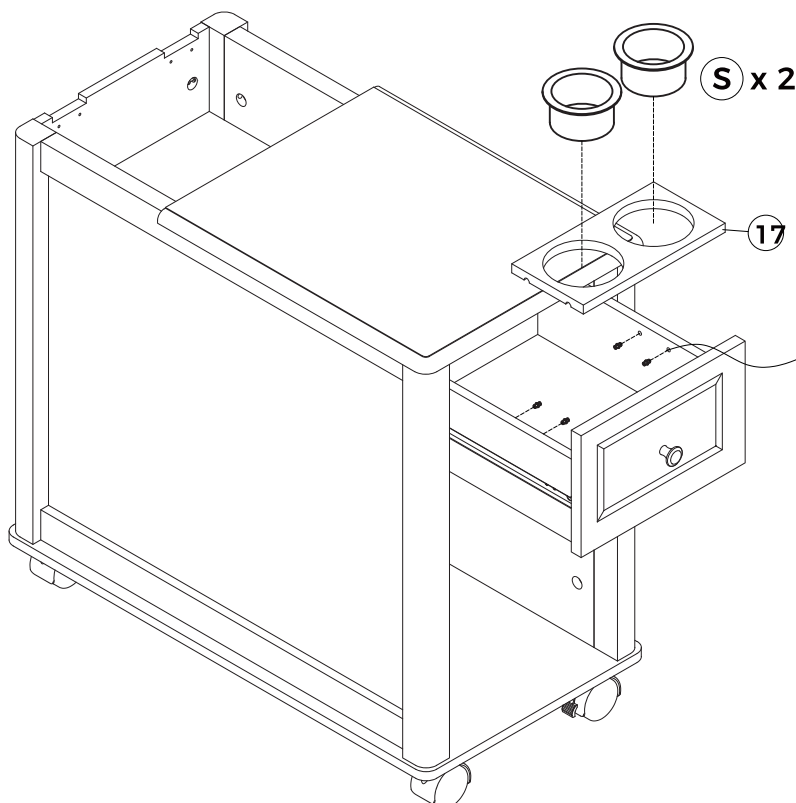
 U x 2



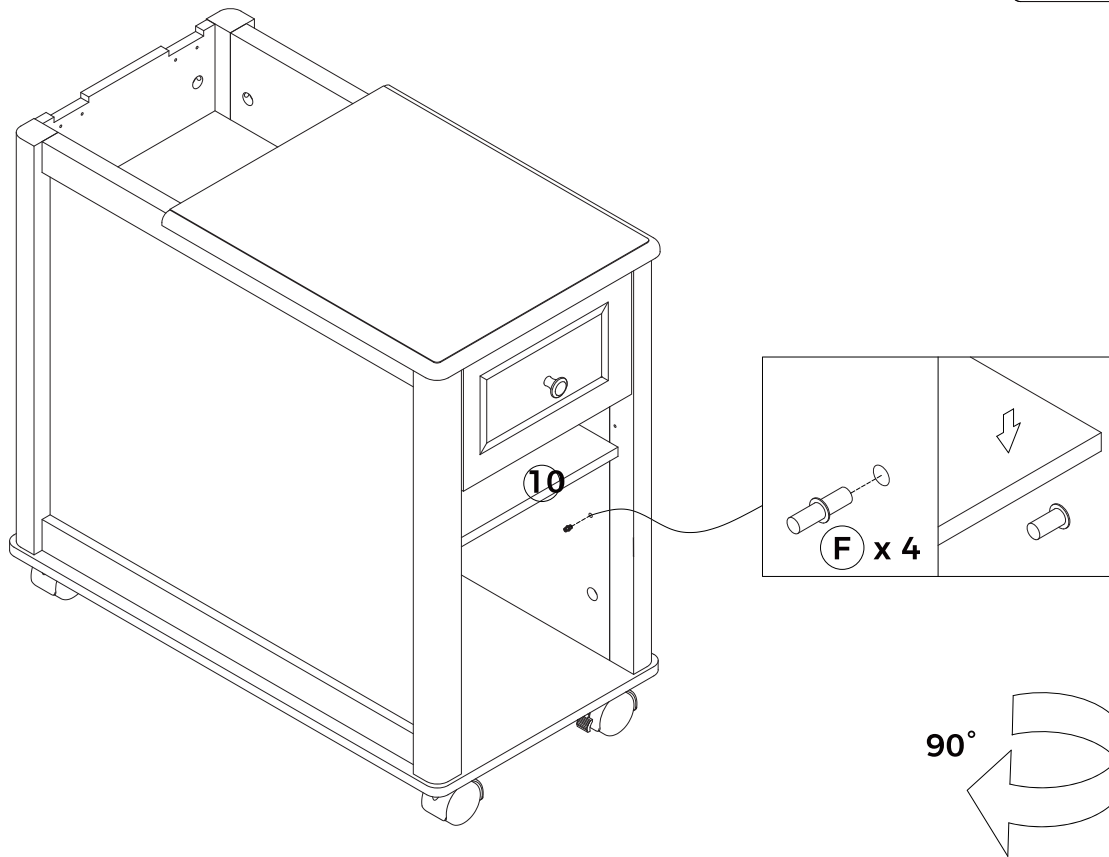
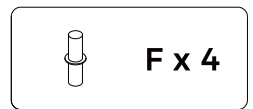
Step 19

 S x 2

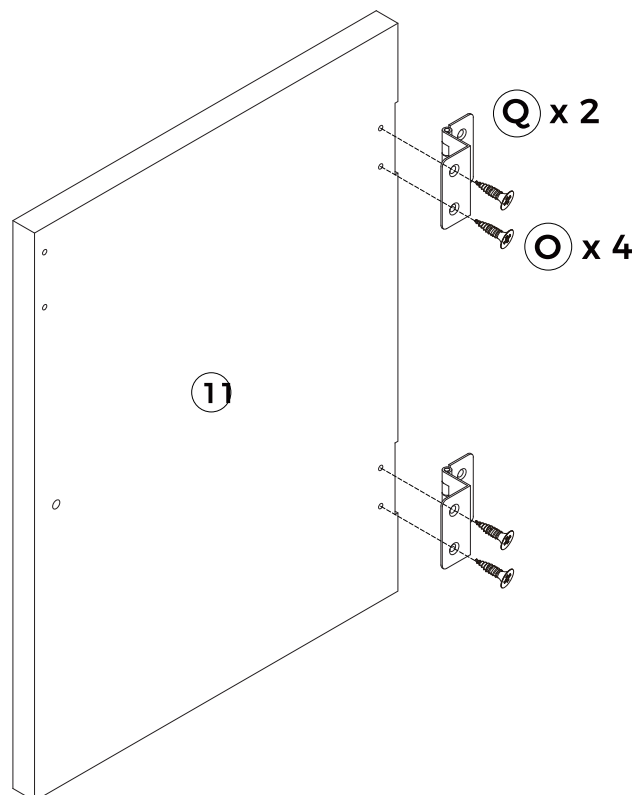
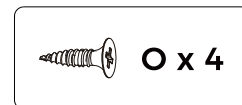
 F x 4



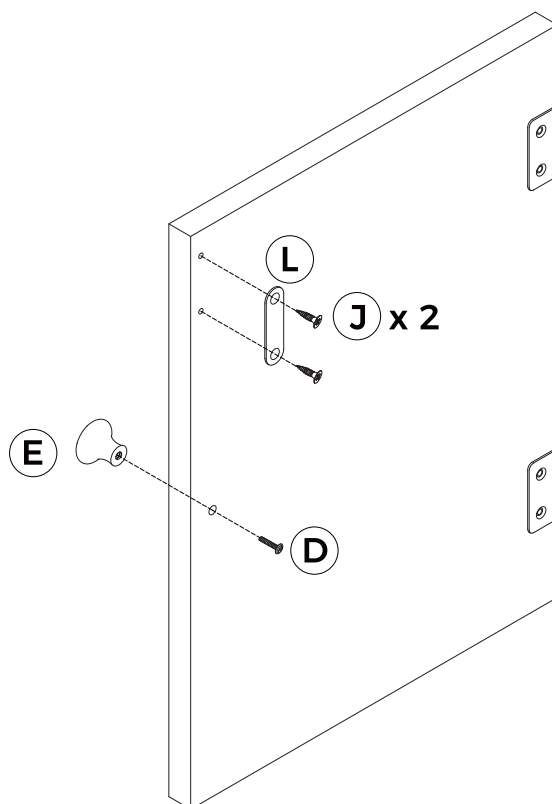
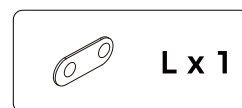
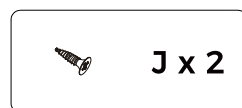
Step 20



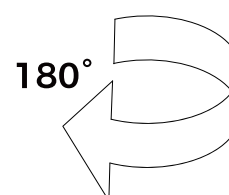
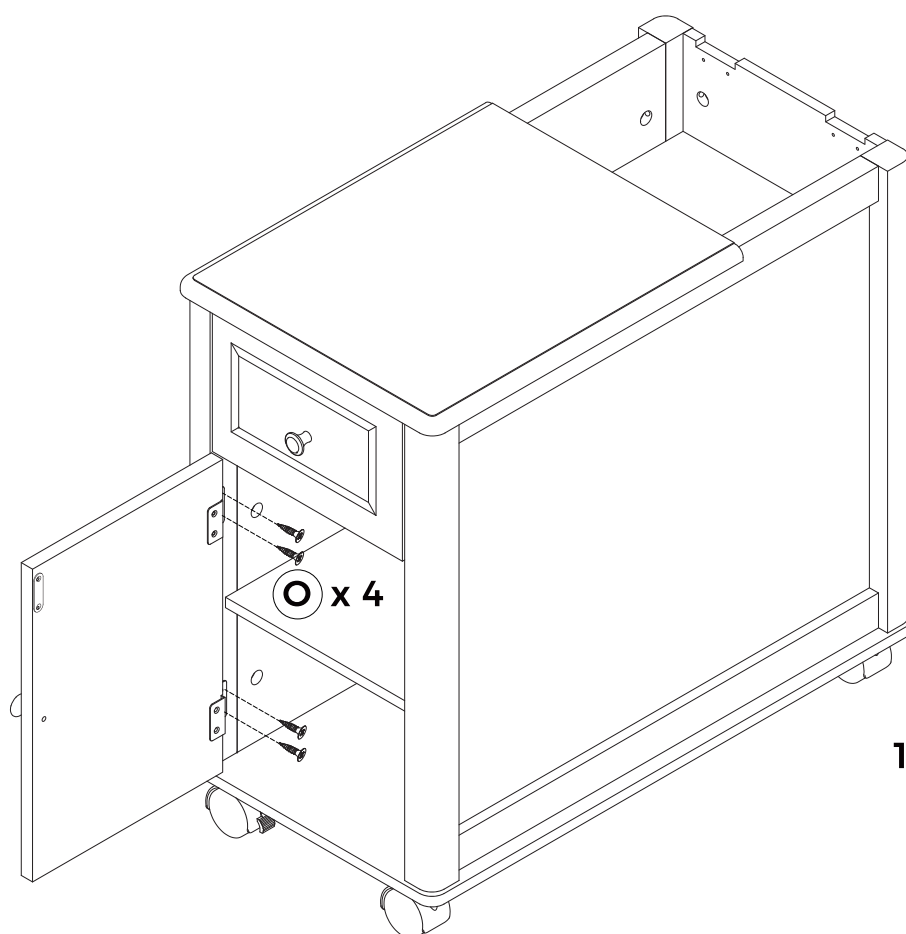
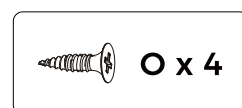
Step 21



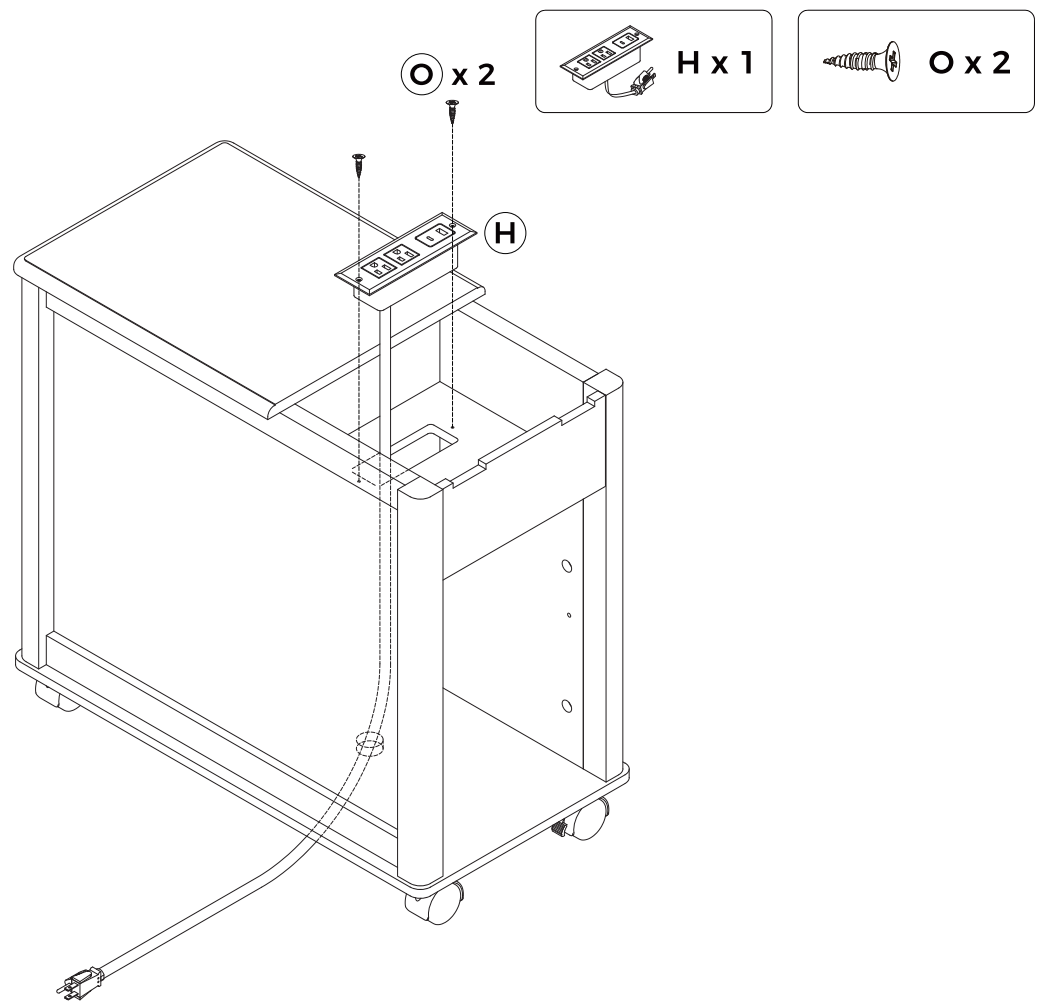
Step 22



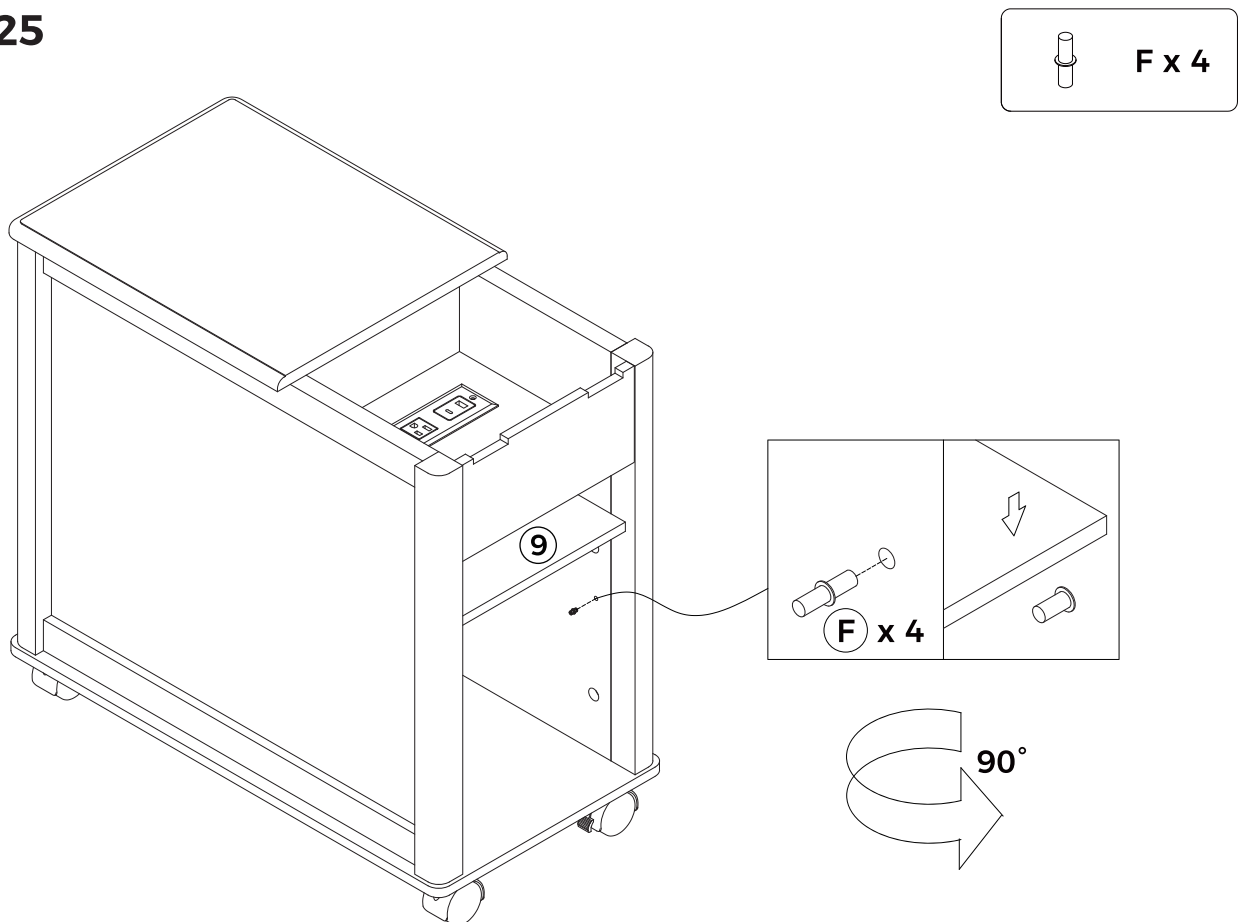
Step 23



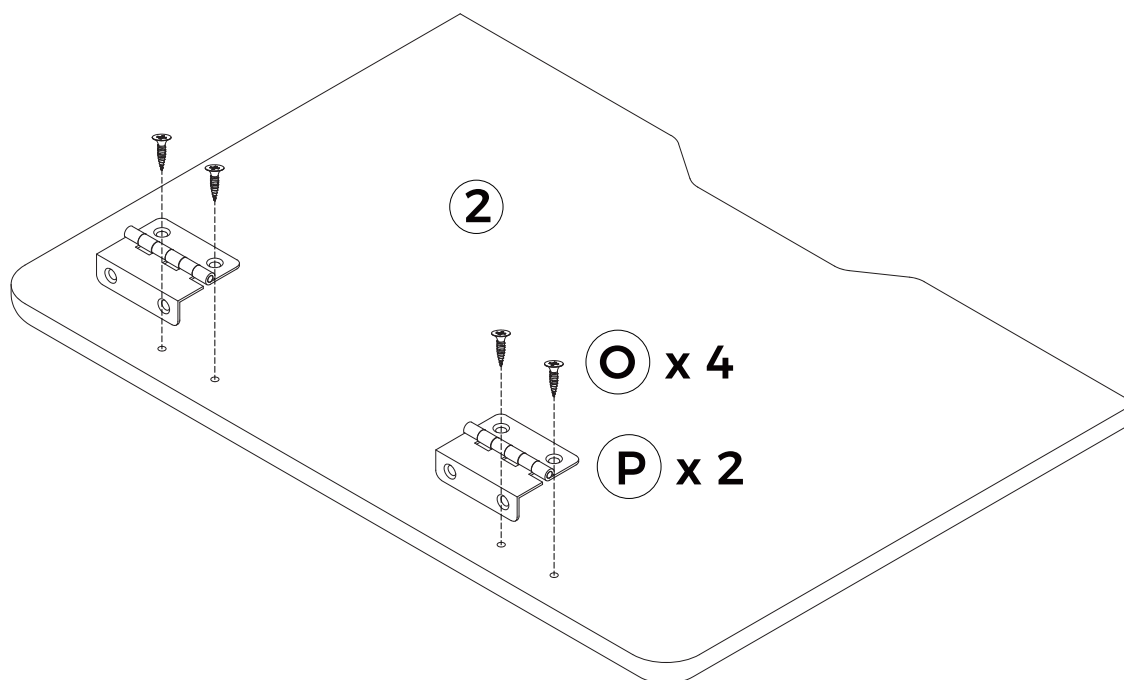
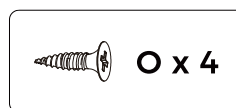
Step 24



Step 25



Step 26



Step 27

