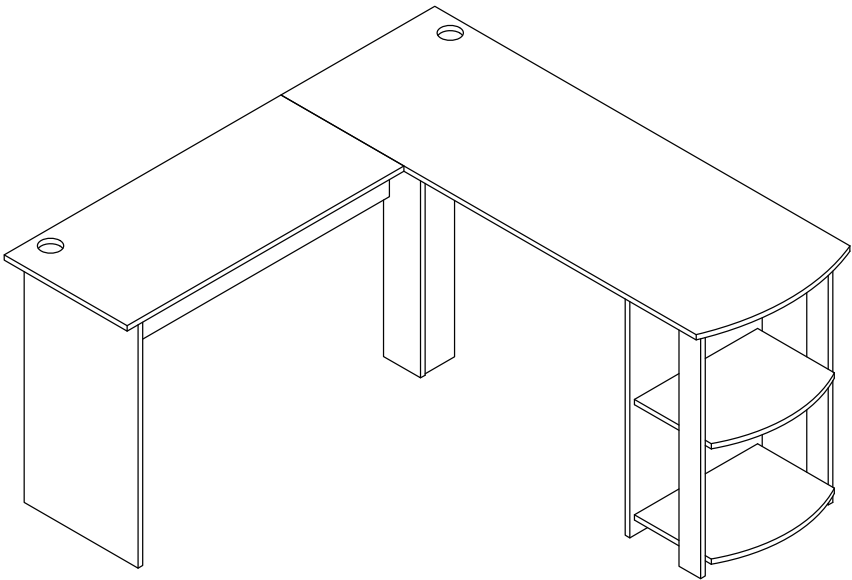


Instruction manual

L-Shape Desk



CONTENTS

Safety and care advice	1
Components – panels	2
Components – fittings	3
Assembly	4
Copyright	11

⚠ SAFETY AND CARE ADVICE ⚠

PLEASE READ THESE INSTRUCTIONS CAREFULLY AND KEEP FOR FUTURE REFERENCE

- **Warning:** Please lift with care.
- Check you have all the components and tools listed on pages 2 and 3.
- Remove all fittings from the plastic bags and separate them into their groups.
- Keep children and animals away from the work area, small parts could choke if swallowed.
- Make sure you have enough space to lay out the parts before starting.
- Do not stand or put weight on the product, this could cause damage.
- Assemble the item as close to its final position (in the same room) as possible.

- Assemble on a soft level surface to avoid damaging the unit or your floor (use opened out unit carton).



- We do not recommend the use of power drill/drivers **for inserting screws**, as this could damage the unit. Only use hand screwdrivers.
- Dispose of all packaging carefully and responsibly.

CARE AND MAINTENANCE

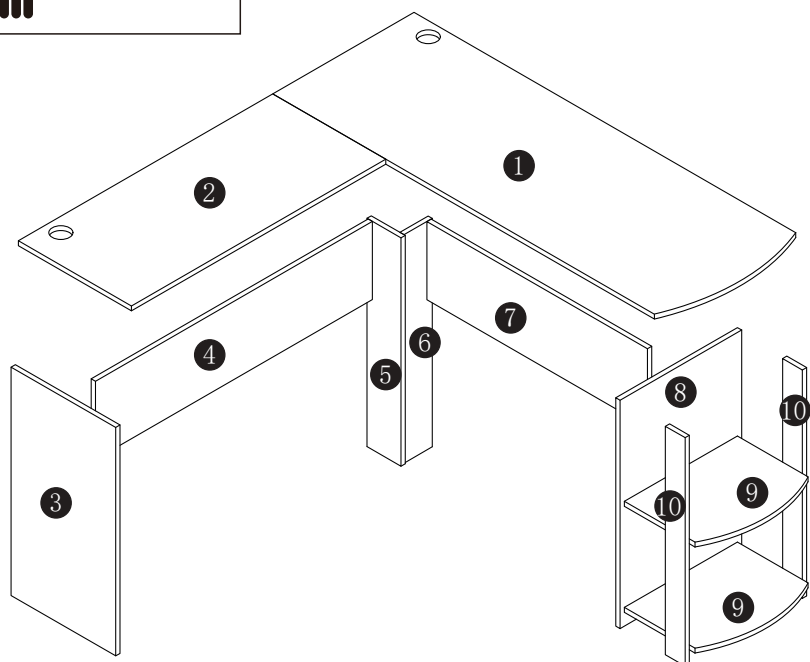
- Only clean using a damp cloth and mild detergent, do not use bleach or abrasive cleaners.
- From time to time check that there are no loose screws on this unit.

- This product should not be discarded with household waste. Take to your local authority waste disposal center.

Note *If required the next page can be cut out and used as reference throughout the assembly. Keep this page with these instructions for future reference.*

COMPONENTS — PANELS

Please check you have all the panels listed below:



PANEL LIST

1	Top Panel, 123x50x1.5cm	x1	6	Side Panel, 70x10x1.5cm	x1
2	Top Panel, 89x40x1.5cm	x1	7	Baffle Panel, 61x20x1.5cm	x1
3	Right Side Panel, 70x37x1.5cm	x1	8	Right Side Panel, 70x43x1.5cm	x1
4	Baffle Panel, 98x20x1.5cm	x1	9	Shelf Panel, 40x30x1.5cm	x2
5	Side Panel, 70x12x1.5cm	x1	10	Side Panel, 70x7x1.5cm	x2



COMPONENTS — FITTINGS

Please check you have all the fittings listed below:



Metal Dowel (M6x34) x 14



Screw (M3.5x14) x 8



Lock (M15x12) x 14



Connecting Piece x 2



Wooden Dowel (M6x30) x 15



Line Box 60mm x 2



Screw (M4.7x38) x 18







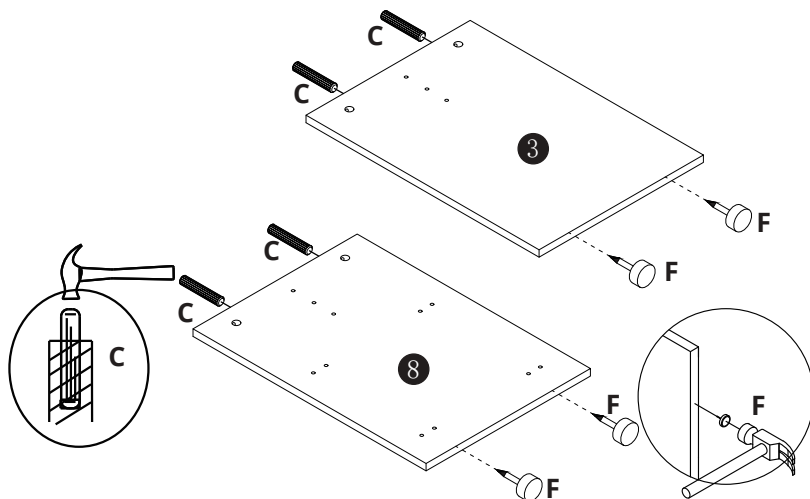
Plastic Foot Nail x 8






ASSEMBLY INSTRUCTIONS

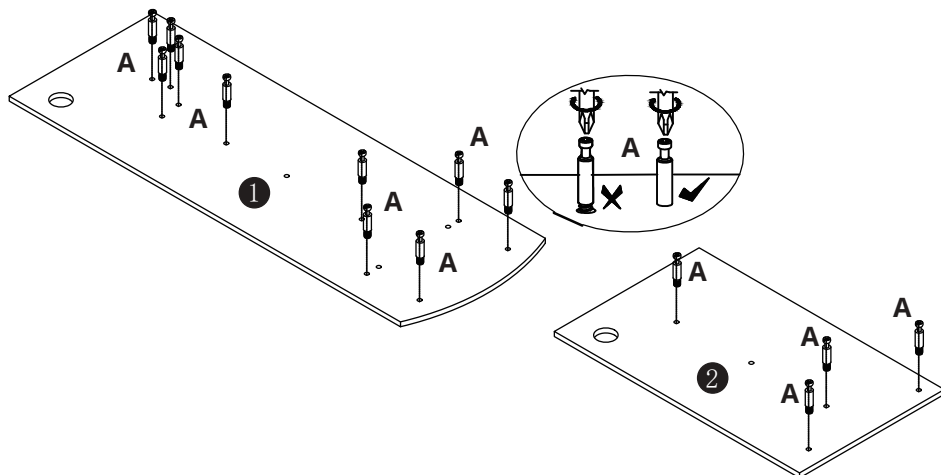
Step 1

F		4		
C		4		



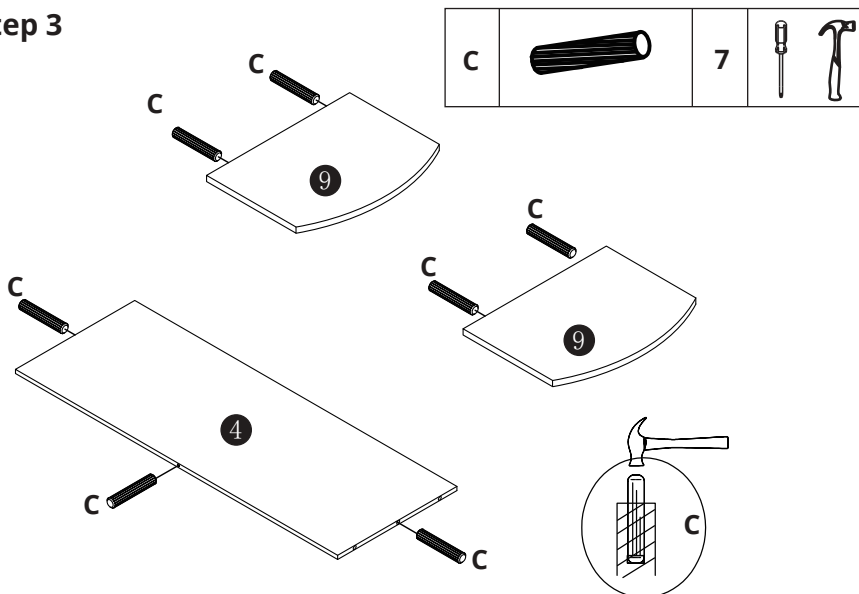
Step 2

A		14		
---	---	----	---	---

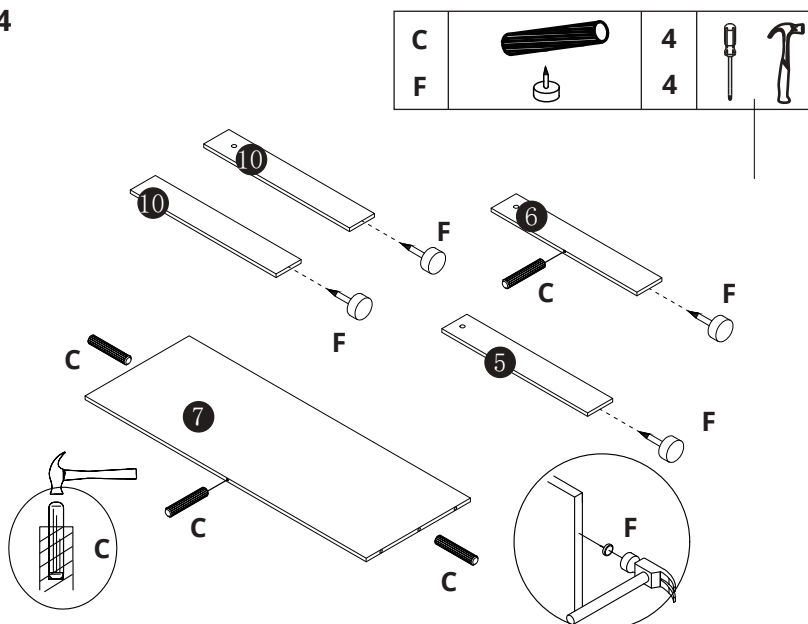


ASSEMBLY INSTRUCTIONS

Step 3






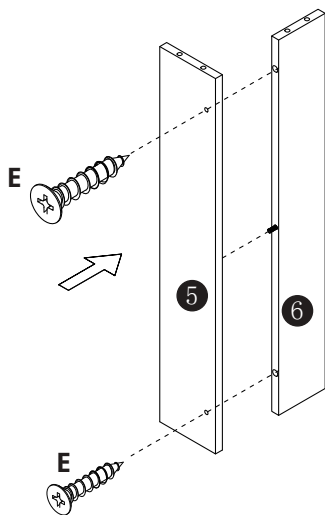
Step 4






ASSEMBLY INSTRUCTIONS

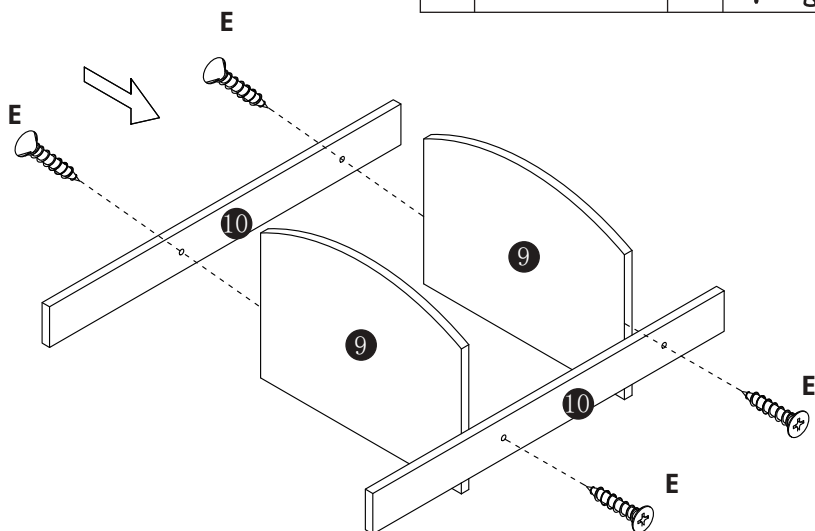
Step 5

E		2		
---	---	---	---	---



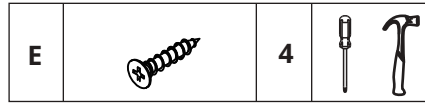
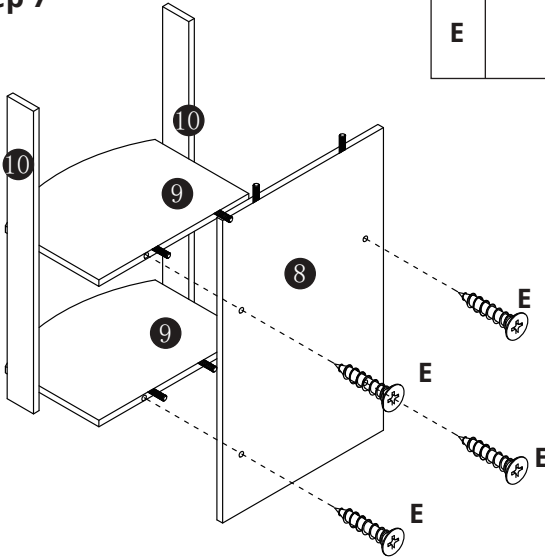
Step 6

E		4		
---	---	---	---	---

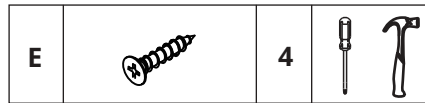
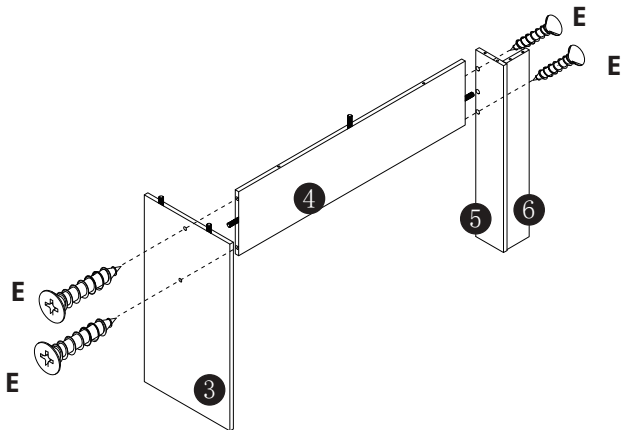


ASSEMBLY INSTRUCTIONS

Step 7

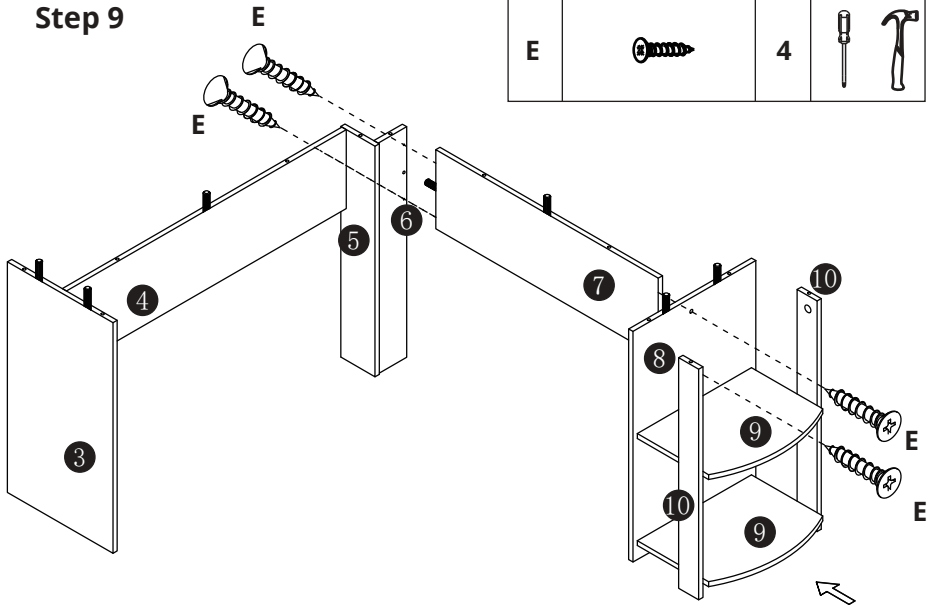


Step 8

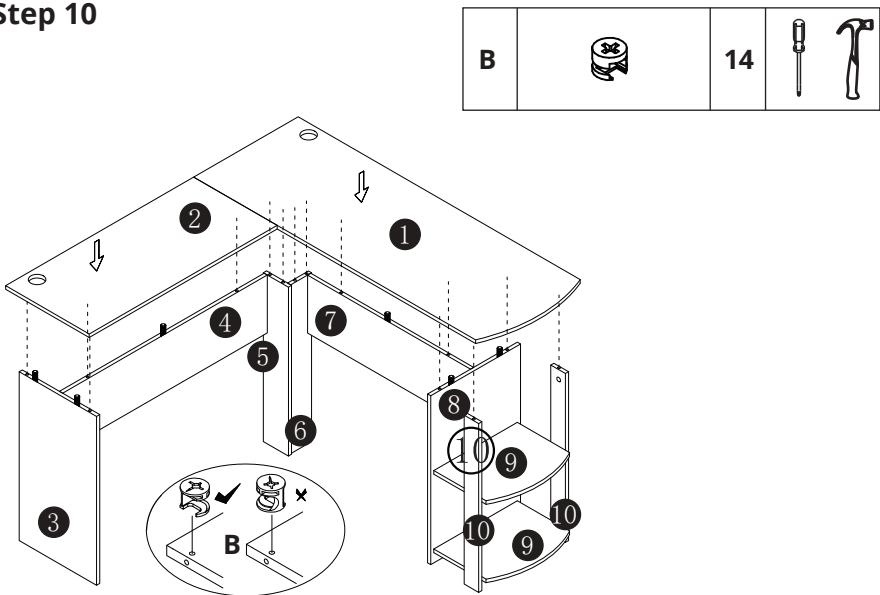


ASSEMBLY INSTRUCTIONS

Step 9

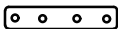





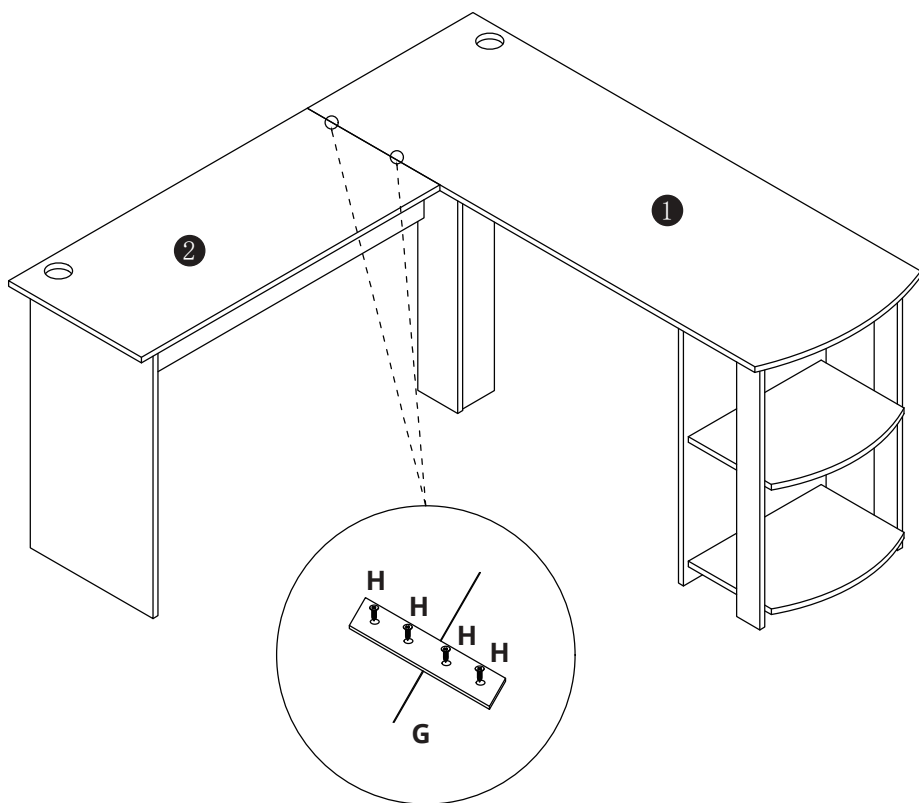
Step 10



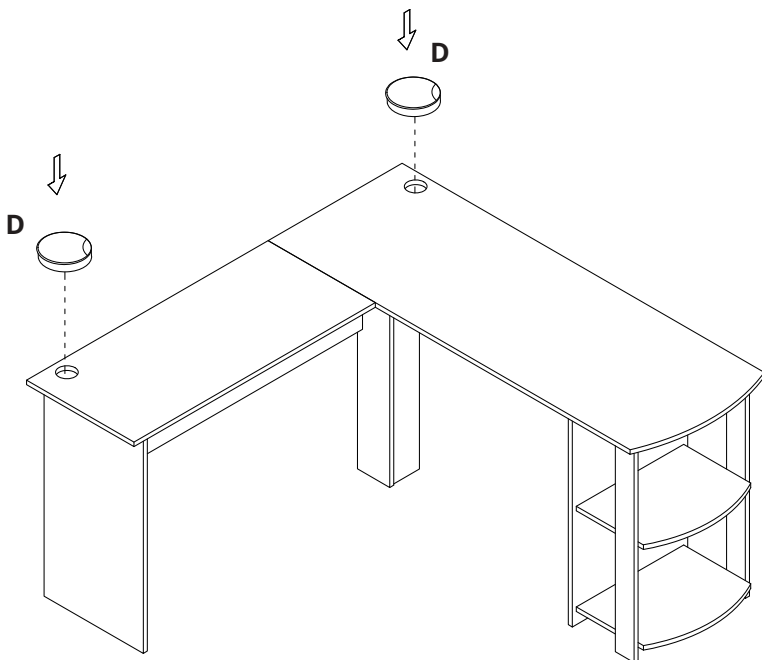
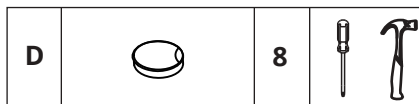
ASSEMBLY INSTRUCTIONS

Step 10

G		2		
H		8		



ASSEMBLY INSTRUCTIONS



Congratulations! Now you have finished assembling the product.

IF YOU FIND A DEFECTIVE PART

We fully stock all parts and components. Any defective part can be quickly replaced. Take note of the defective part number in manual and we will arrange a replacement.

COPYRIGHT

All material in this instruction manual is copyrighted.

Any unauthorised use may violate worldwide copyright, trademark and other laws.