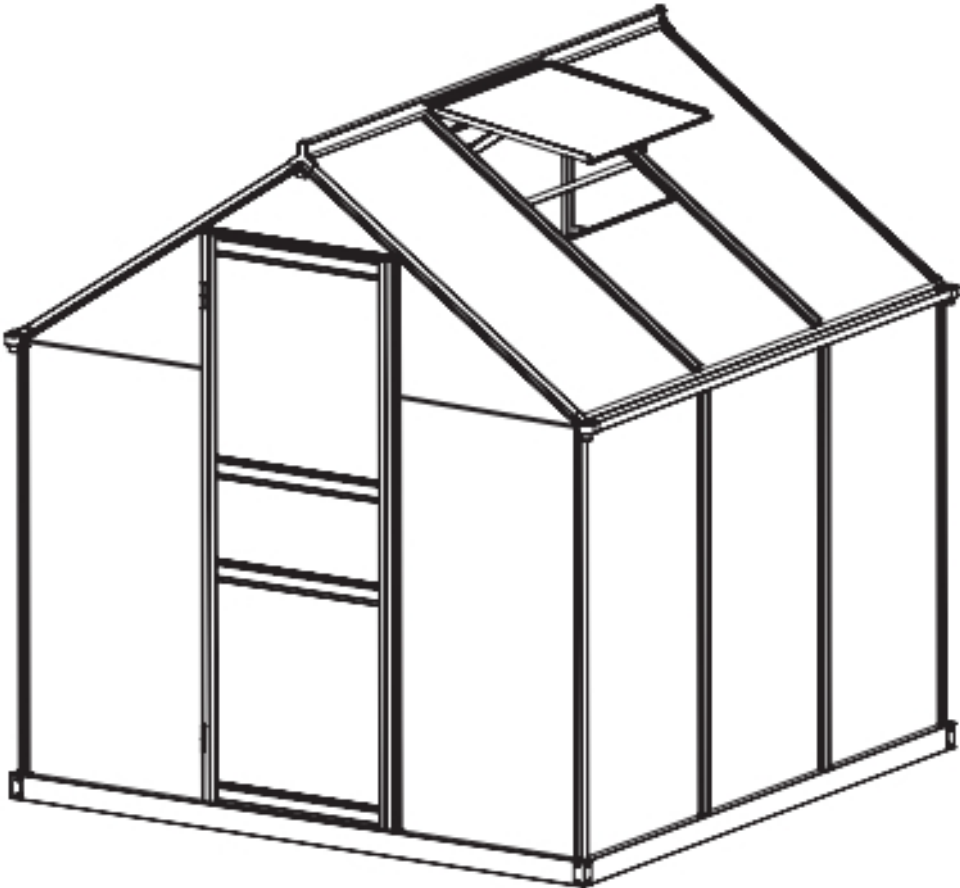


6x6 FT Greenhouse

Product ID. 7A2RL



Scan for Support
support@garvee.com



Distributed by
GARVEE.com

Placement

Do not place the greenhouse in areas exposed to strong winds.
Choose a sunny, level surface, away from overhanging trees.

Before You Begin

Recommended tools: electric screwdriver or drill, measuring tape.

Wear gloves and safety glasses during assembly.

Keep children and pets away from the work area.

Do not assemble the greenhouse in windy or wet weather.

[MUST READ] Assembly takes approximately 6–8 hours with 2–3 people.

Some steps require two people for safe handling.

During Assembly

[MUST READ] Be sure to follow the instructions about pre-installing bolts.

Missing this step will cause a large amount of time-consuming rework.

Keep screws and small hardware in their bags or boxes to avoid loss.

Each part is numbered; match the part numbers to the assembly instructions.

Assemble the aluminum frame first, then install the polycarbonate panels.

Do not fully tighten screws until the step is confirmed to be correct.

Ensure the greenhouse is securely anchored to the ground.

Installing the Polycarbonate Panels

Panels are covered with protective film during shipping. Do not remove the film until after installation, and then peel it off gently with a knife.

When installing, the transparent film (UV protection, no need to tear off) is on the inside and the white film (tear off) is on the outside.

Handle all PC panels carefully to avoid scratches.

[MUST READ] If you are certain that a PC panel is slightly oversized and difficult to fit, you may carefully trim a small edge with a utility knife. However, this situation usually occurs when the frame is misaligned — once the frame is properly adjusted, trimming is typically unnecessary.

Required Tools

(One spanner is included for tightening the nuts)

1. [MUST READ] A power drill or electric screwdriver with magnetic bit holder (strongly recommended to make installation easier).

2. measuring tape.

Art.Nr.	Picture	Qty.	Dimension(mm)
1		4	1215
2		1	1094
3		1	1094
4		1	1094
5		1	1094
6		1	1626
7		1	1626
8		1	1643
9		1	1643
10		4	1215
11		4	1073
12		1	615
13		4	
14		2	1814
15		1	634
16		1	1872
17		1	1872
19		1	1615
20		1	1615
21		1	1800
22		2	1302
23		2	580
24		2	1298
25		4	
26		3	565

Art.Nr.	Picture	Qty.	Dimension(mm)
27		1	565
28		2	520
29		4	
30		1	595
31		1	595
32A		1	1872
32B		1	1872
33		1	1810
34A		1	1814
34B		1	1814
35		5	575
36		1	
38		16	
39		2	
40		113	
41A		2	
41B		2	
42		2	
43		1	
44		113	
46		22	
47		4	1802
48		4	Expansion screws

PC panels











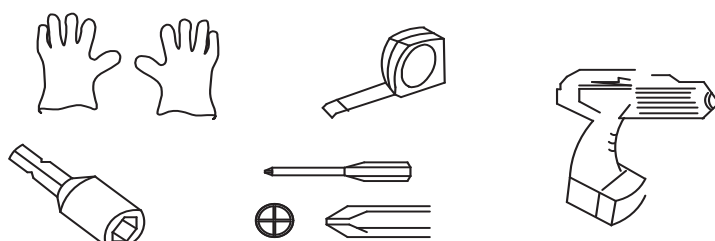
Art.Nr.	Qty.	Picture	Dimension(mm)	
1	11PC		595x1240	4mm panel for the roof
2	5PC		595x1090	4mm panel for the roof
3A	2PC		595x400	4mm panel for the roof
3B	2PC		595x400	4mm panel for the roof
4	1PC		595x560	4mm panel for the roof
5	1PC		595x550	4mm panel for the roof
6	1PC		595x615	4mm panel for the roof
7	1PC		565x254	4mm panel for the roof
8	1PC		620x225	4mm panel for the roof
9	2PC		565x592	4mm panel for the roof



photo of the 4mm roof panel

We recommend tearing off the protection films after the panel is put in its place in the greenhouse frame, so you stay aware of which side is UV-protected and the sides don't get mixed up during the assembly. A good way is to remove approx. 5cm of the protective film from all edges of the panel before mounting the panel in the alu frame (so that it doesn't get under the screws and alu strips), and when the panel is fixed in the frame you can completely tear off the protective films.

We recommend to get the following tools available for assembly



(packaging includes one spanner to twist the nuts)

This is how you slide the screws into the grooves of the aluminum rails

Foundation assembling

Base Mount

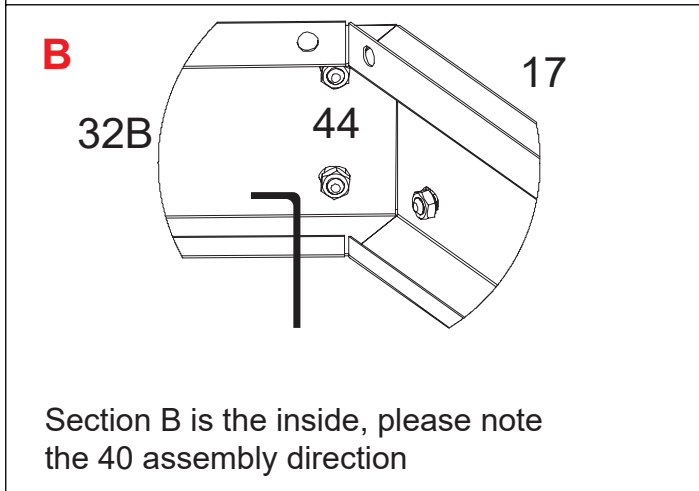
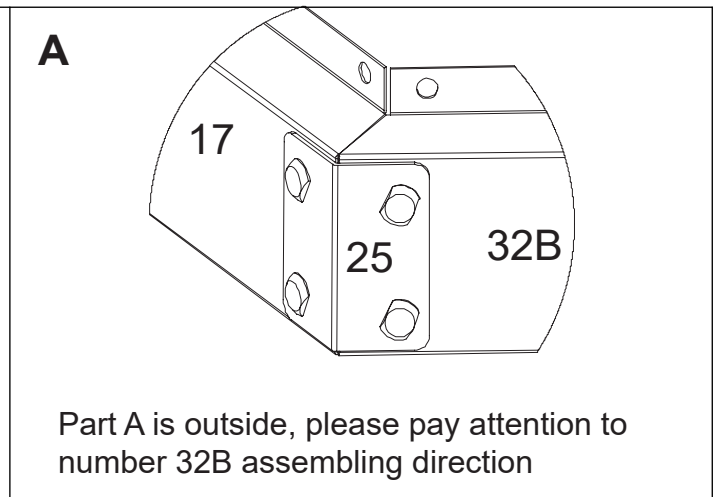
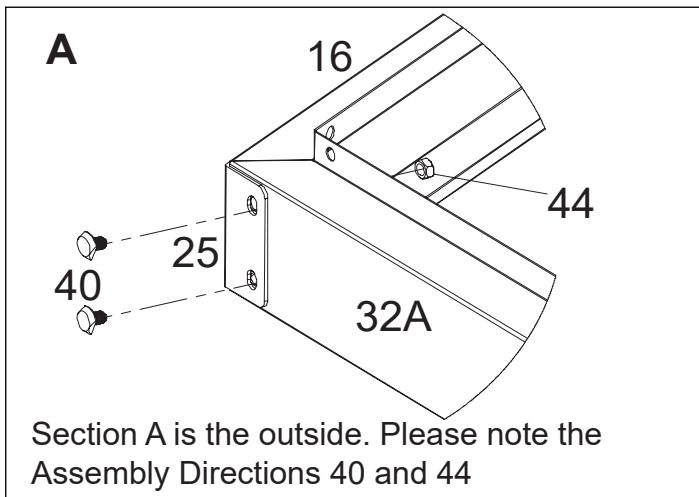
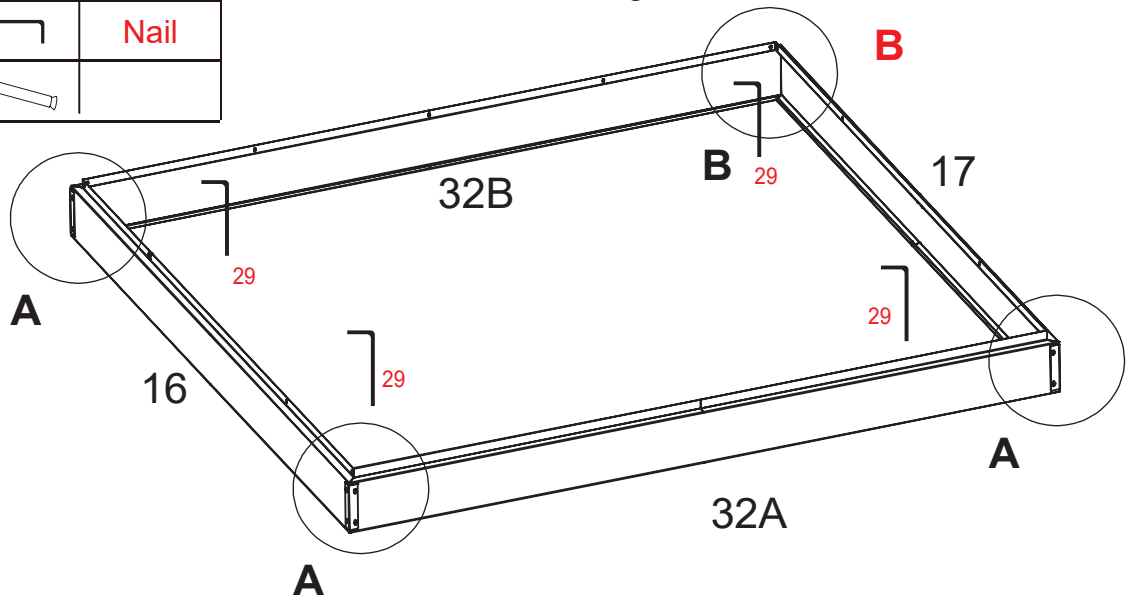
Step 1

Art.Nr.	Qty.	Picture	Dimension(mm)
32A/32B	2PC		1872
16/17	2PC		1872
40	16PC		
44	16PC		
25	4PC		
29	4PC		Nail
48	4PC		

32A/32B fittings are connected with fittings 25, then fixed from the outside with No. 40 screw and tightened with No. 44 nut.

Fix the foundation with accessory 29 when installing on the grassland


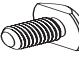

Fix the foundation with accessory No. 48 during installation on cement ground

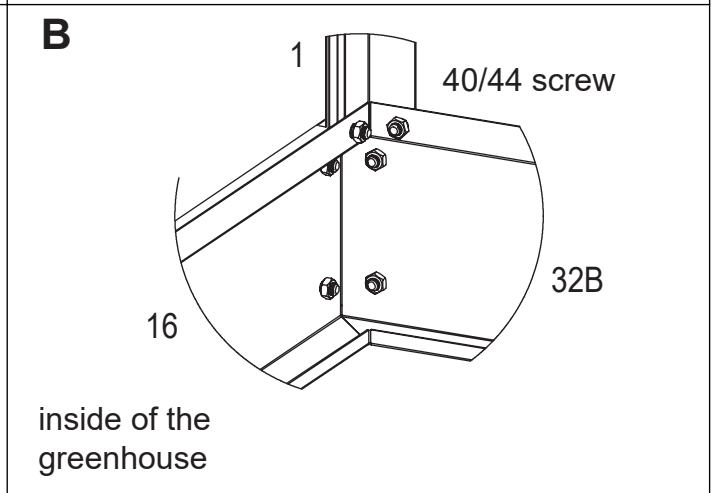
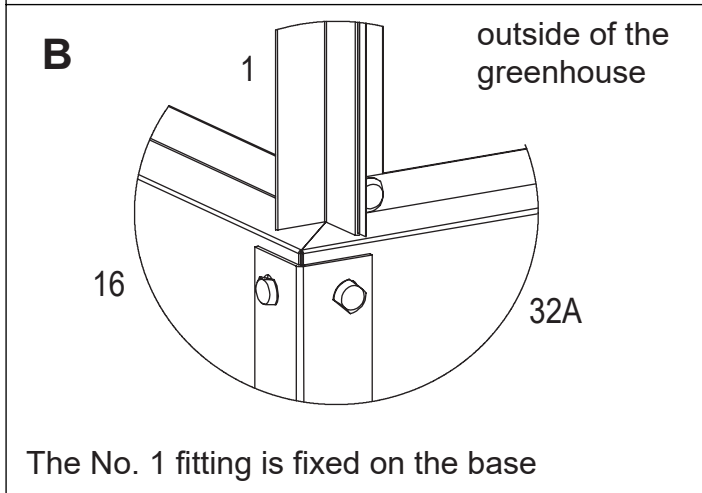
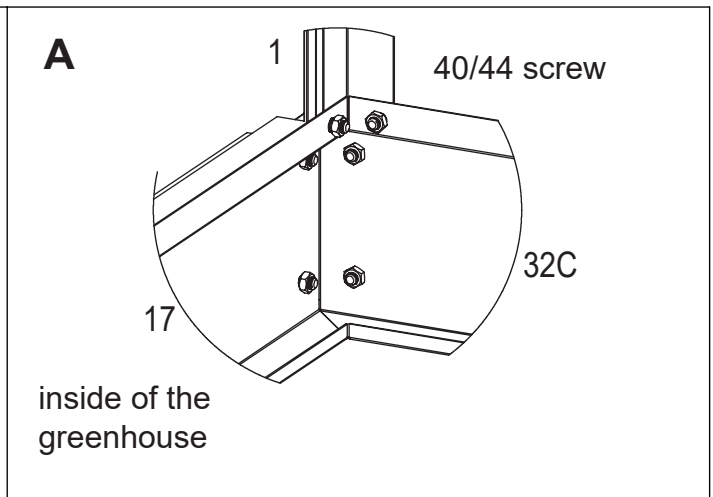
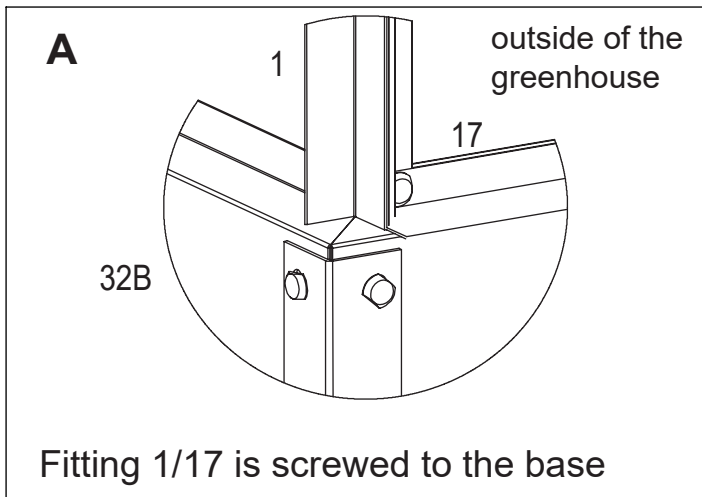
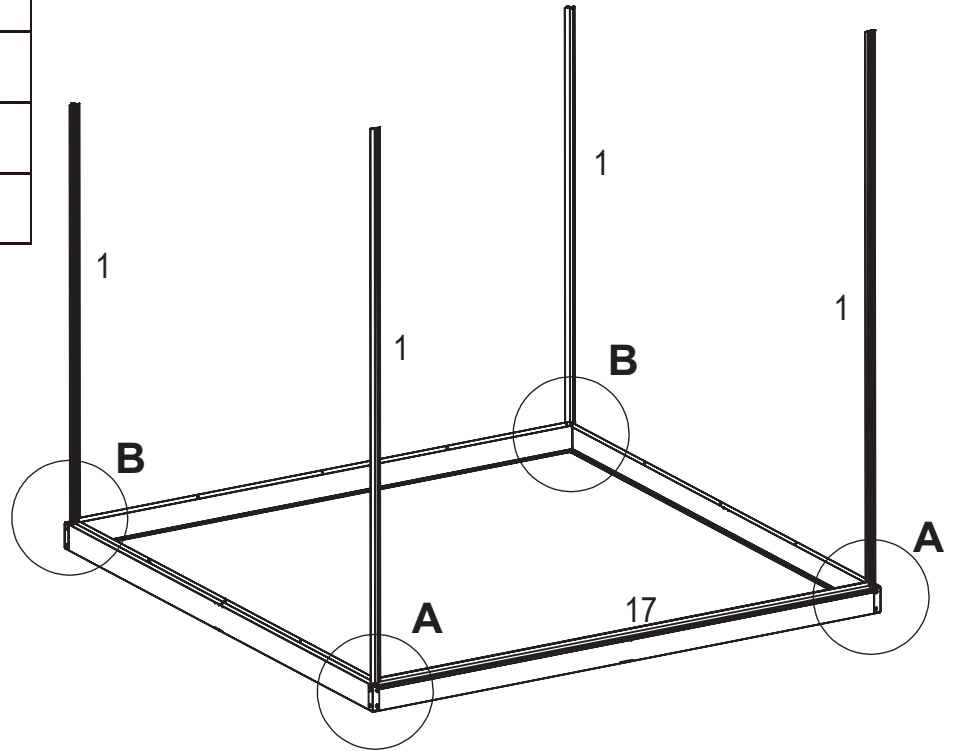
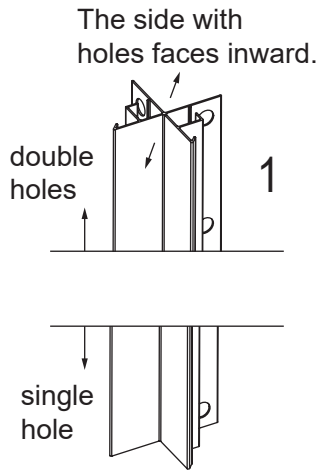


Foundation assembling

Step 2

Four corner column mount

Art.Nr.	Qty.	Picture	Dimension(mm)
1	4PC		1215
40	16PC		
44	16PC		



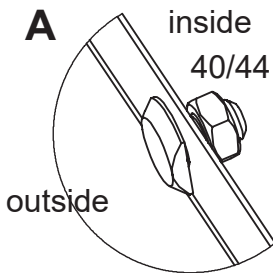
Foundation assembling

Step 2

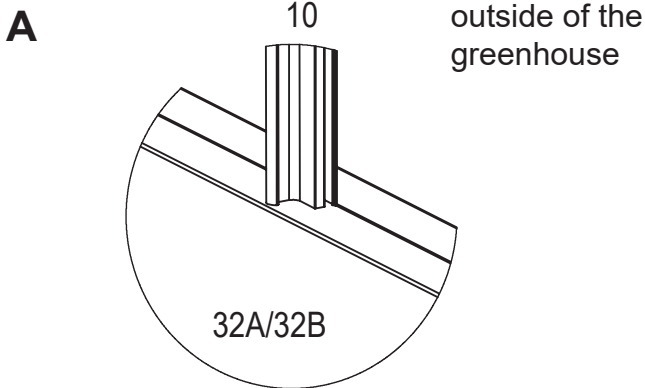
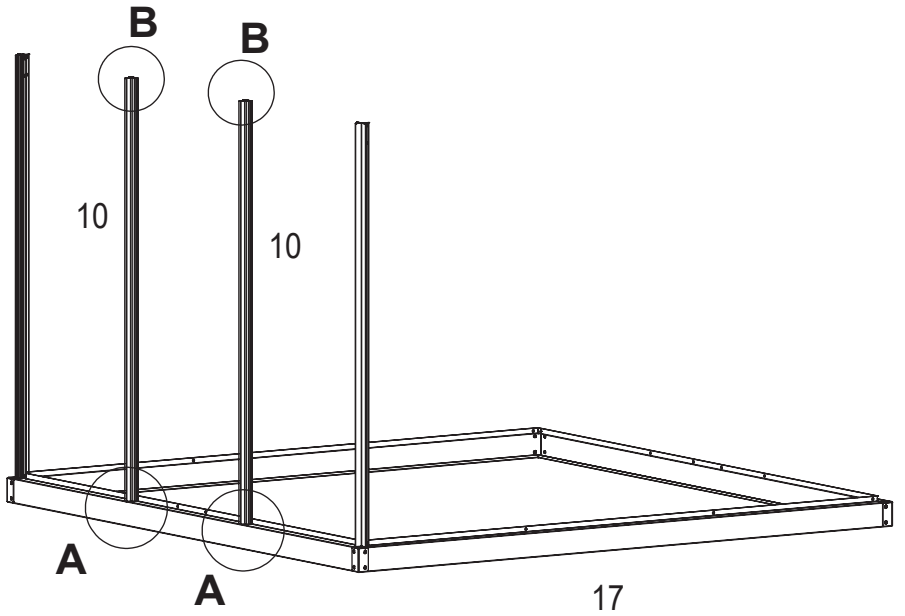
two people must be there

Art.Nr.	Qty.	Picture	Dimension(mm)
10	2PC		1215
40	4PC		
44	4PC		

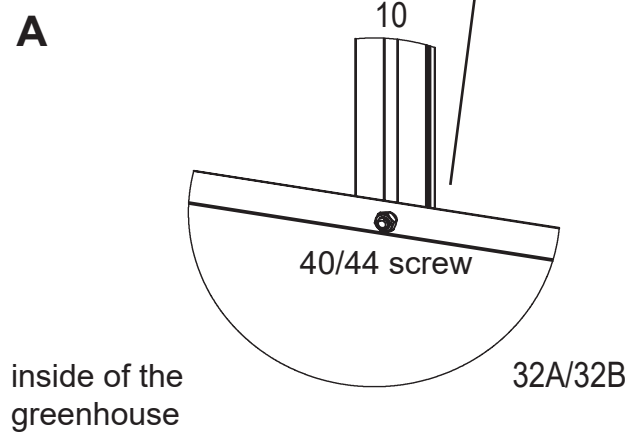
Left



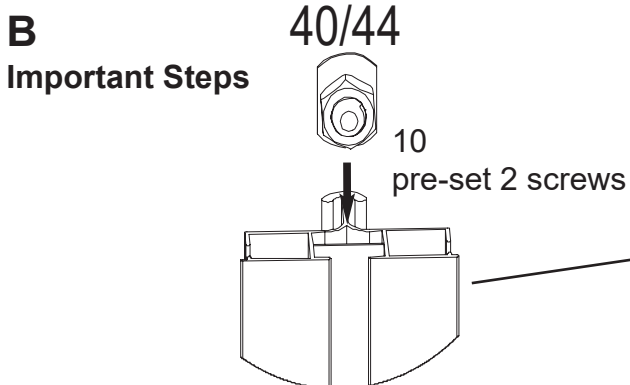
First secure the screws on the base, then snap Part 10 into place.



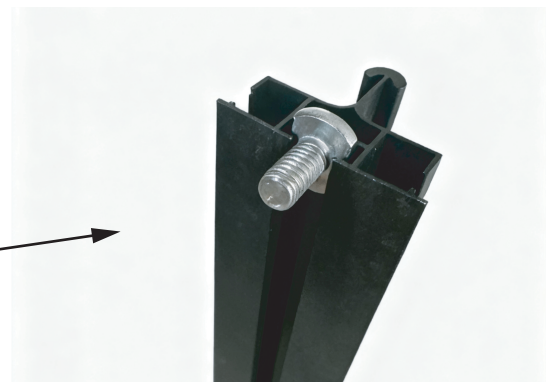
10 is fixed to the base



inside of the greenhouse






The B part is pre-loaded with screws

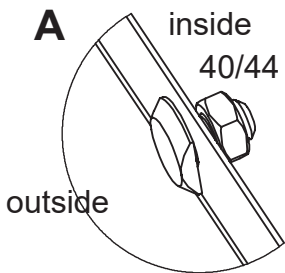


Foundation assembling

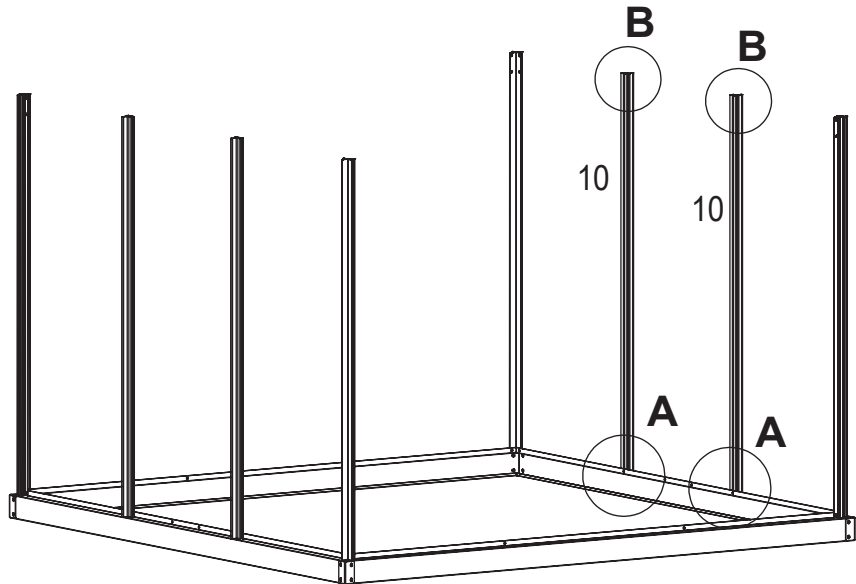
two people must be there

Art.Nr.	Qty.	Picture	Dimension(mm)
10	2PC		1215
40	4PC		
44	4PC		

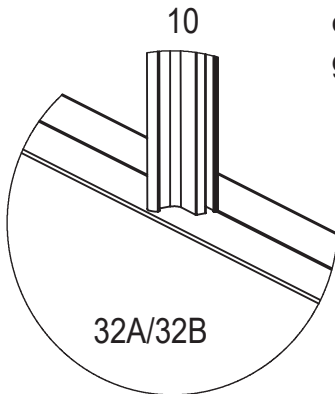
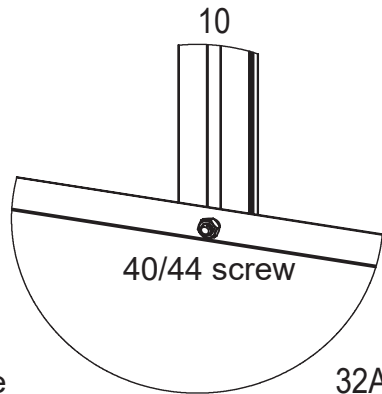
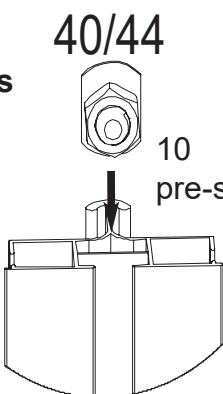
Right



First secure the screws on the base, then snap Part 10 into place.



17

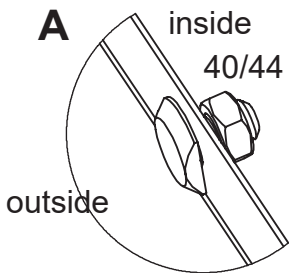
<p>A</p>  <p>10 is fixed to the base</p>	<p>A</p> 
<p>B</p> <p>Important Steps</p>  <p>The B part is pre-loaded with screws</p>	

Foundation assembling

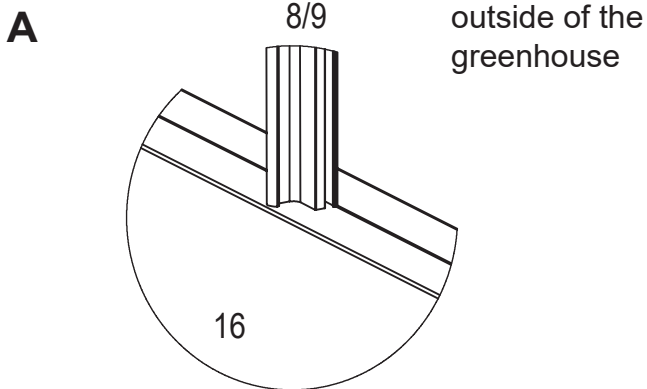
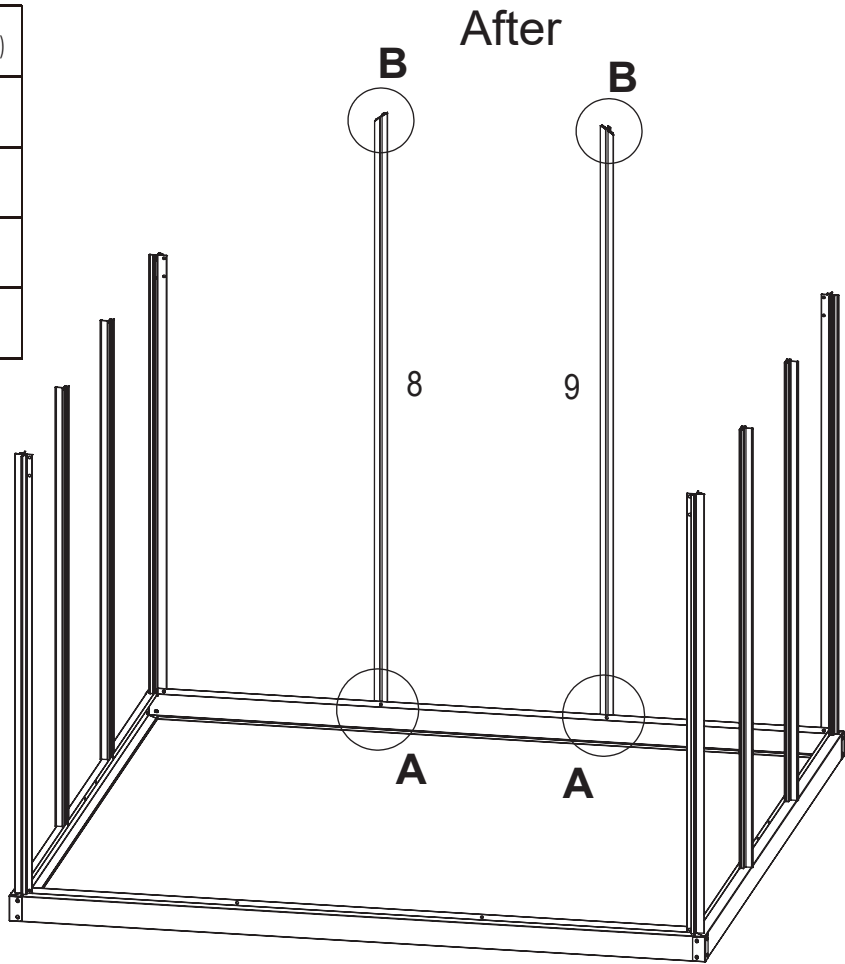
two people must be there

Step 3

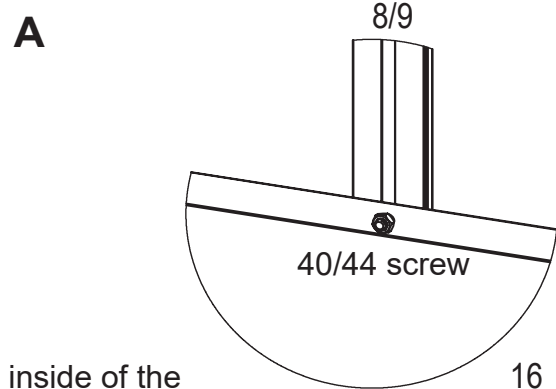
Art.Nr.	Qty.	Picture	Dimension(mm)
8/9	2PC		1643
40	4PC		
48	4PC		



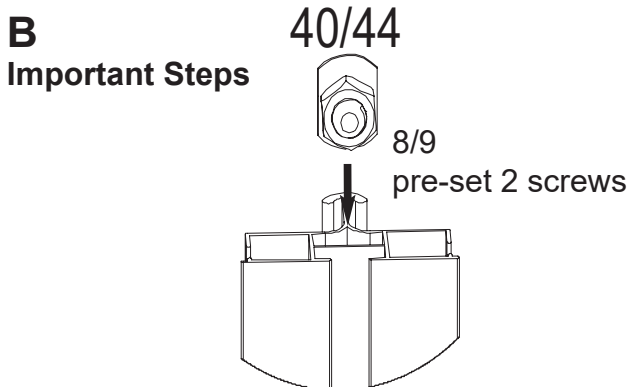
First secure the screws on the base, then snap Part 8/9 into place.



10 is fixed to the base



inside of the greenhouse



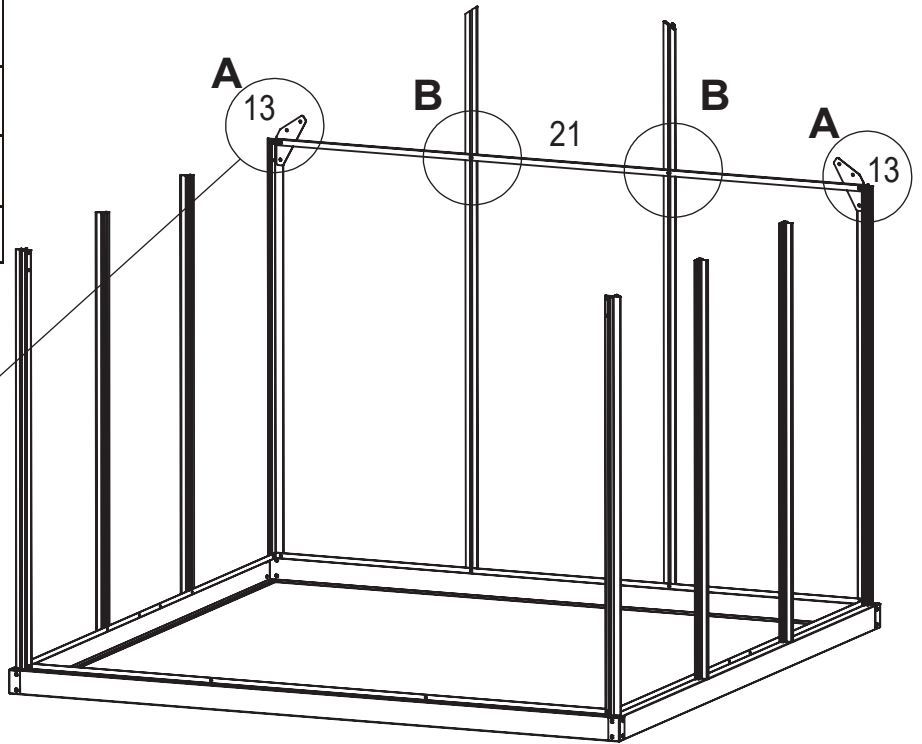
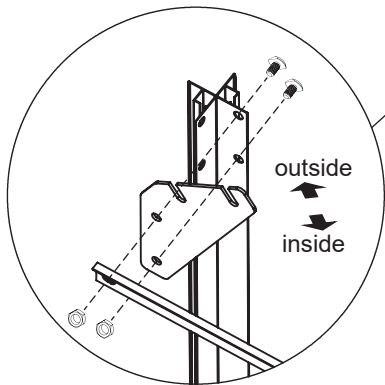
The B part is pre-loaded with screws

Foundation assembling

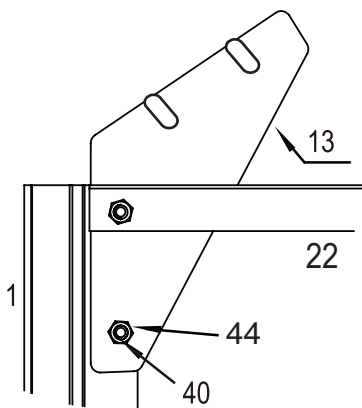
two people must be there

Step 3

Art.Nr.	Qty.	Picture	Dimension(mm)
21	1PC		1800
13	2PC		
40	4PC		
44	4PC		



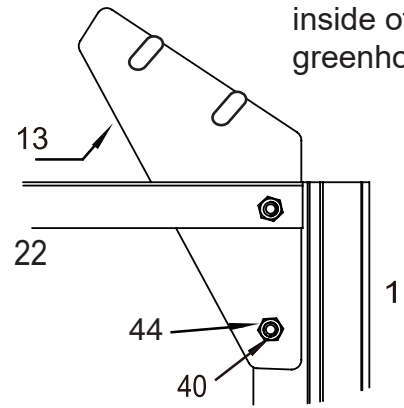
A



inside of the greenhouse

Fitting No. 13 first, fitting No. 22 next

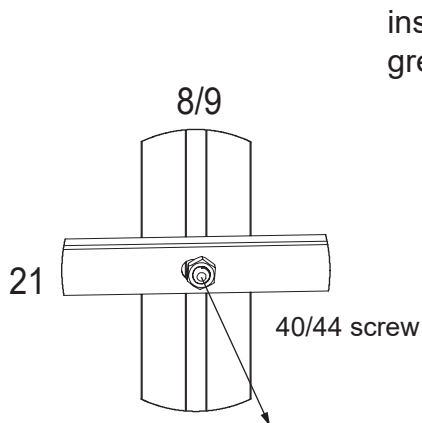
A



inside of the greenhouse

Fitting No. 13 first, fitting No. 22 next

B



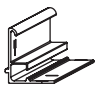
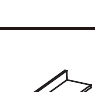
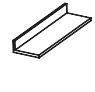
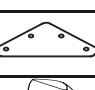
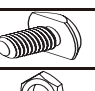


inside of the greenhouse

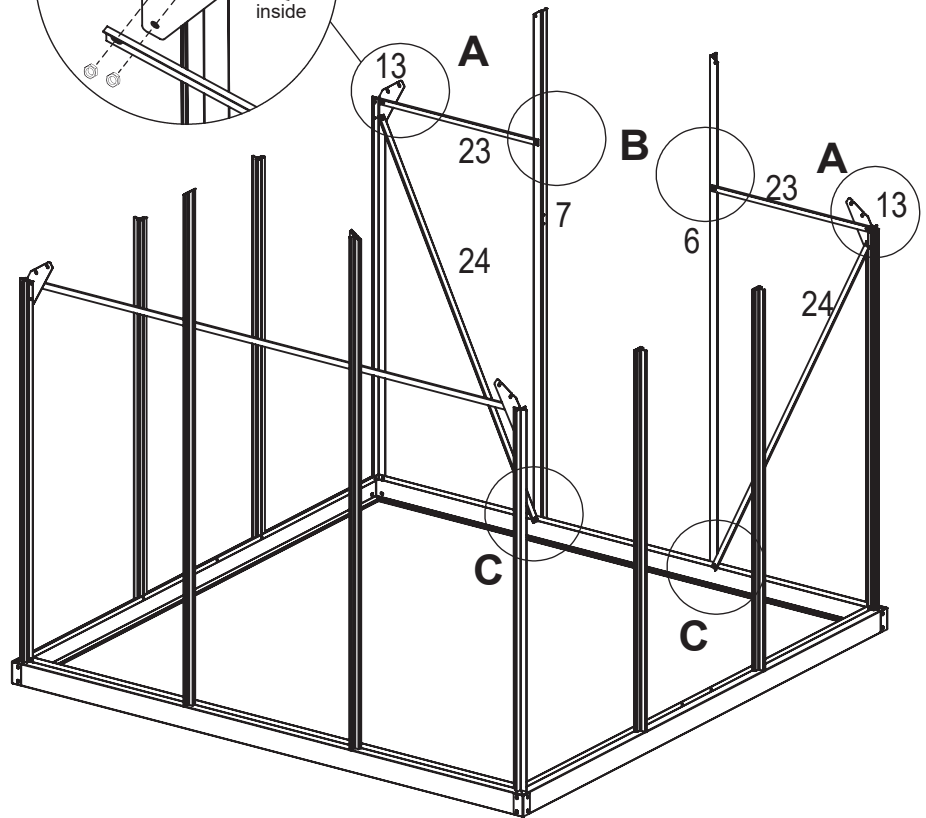
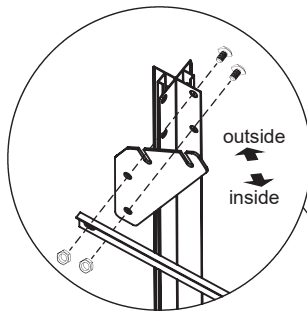
Associate with Step B on Page 9

Foundation assembling

Step 4

two people must be there

Art.Nr.	Qty.	Picture	Dimension(mm)
6	1PC		1626
7	1PC		1626
23	2PC		580
24	2PC		1298
13	2PC		
40	6PC		
44	6PC		



A inside of the greenhouse

Fitting No. 13 first, fitting No. 23/24 next

B inside of the greenhouse

(picture direction from inside of the greenhouse)




C inside of the greenhouse

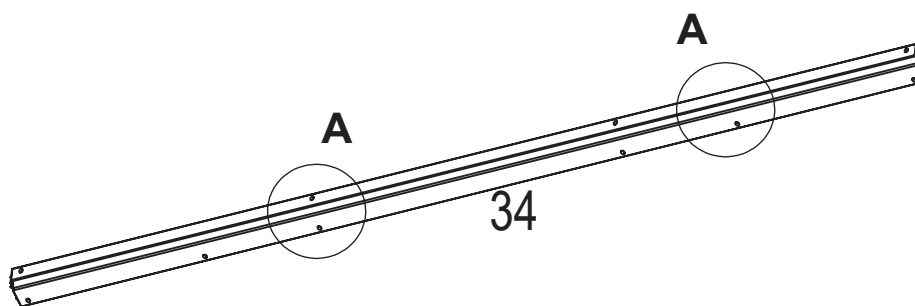
40/44 screw

Foundation assembling

two people must be there

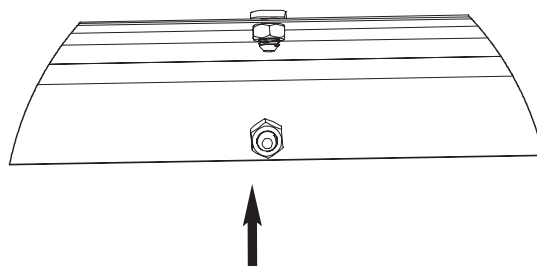
Step 5

Art.Nr.	Qty.	Picture	Dimension(mm)
34	2PC		1814
40	8PC		
44	8PC		



x2

A





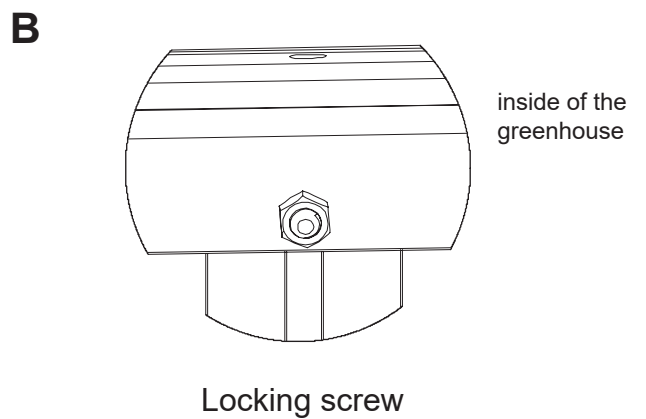
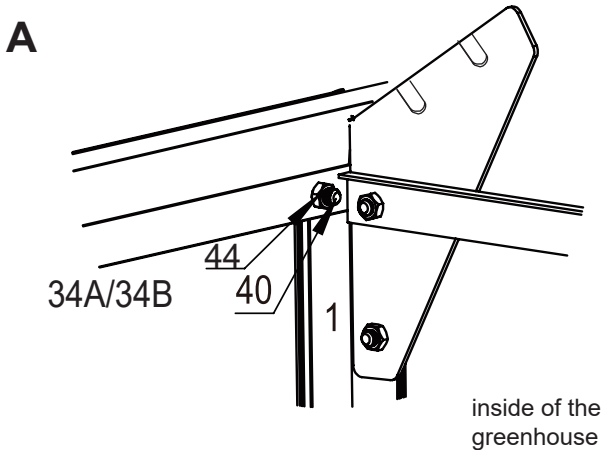
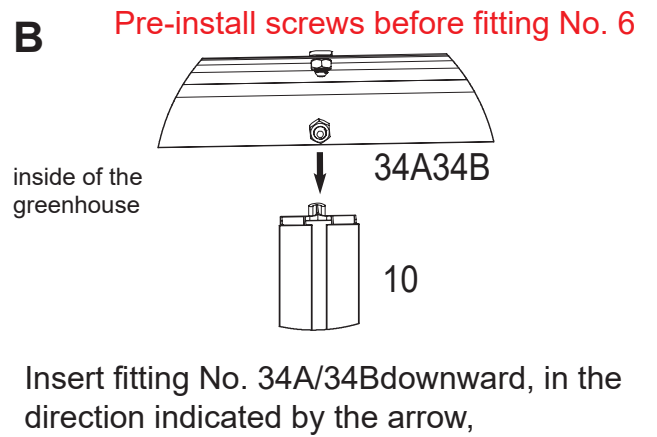
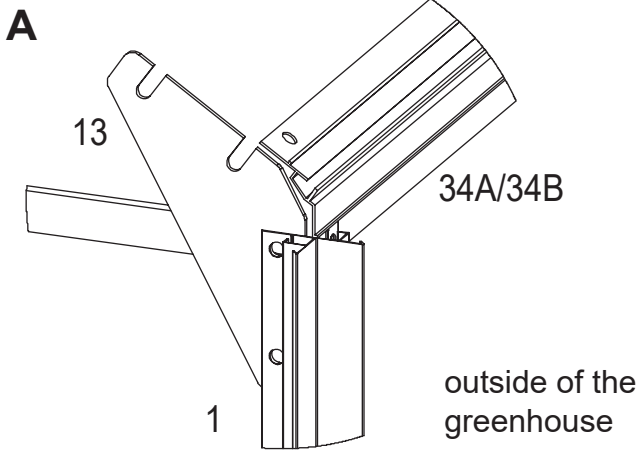
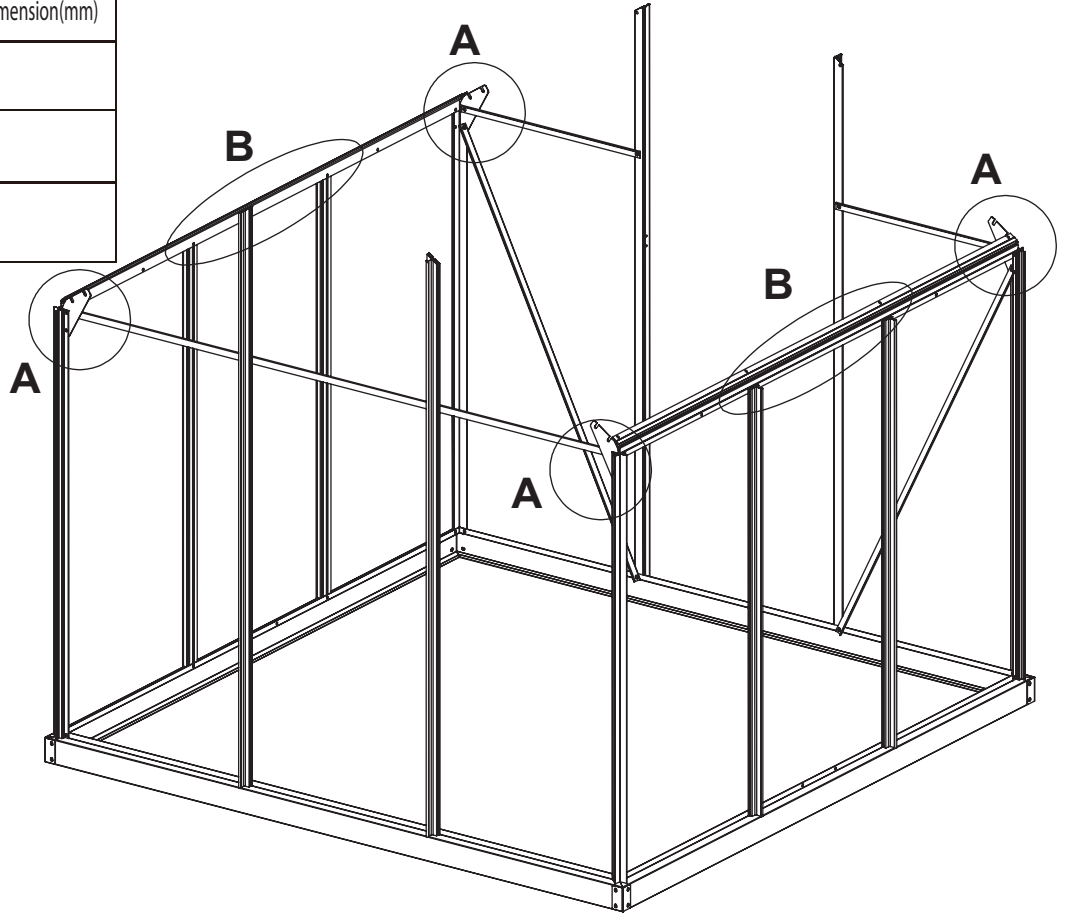
Pre installed screws, no need to tighten

Foundation assembling

two people must be there

Step 5




Art.Nr.	Qty.	Picture	Dimension(mm)
40	4PC		
44	4PC		

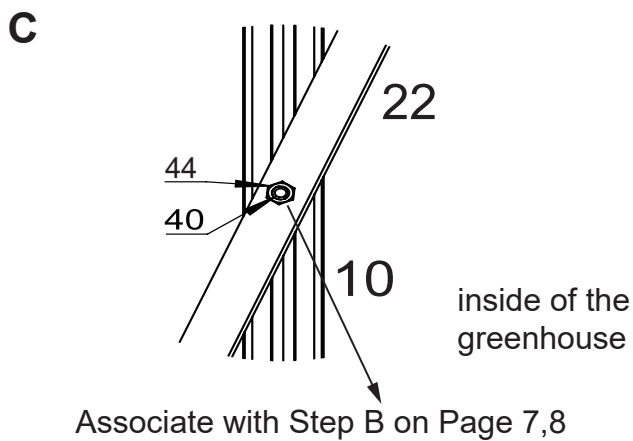
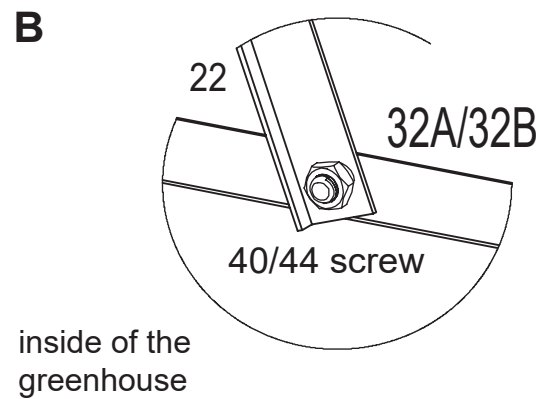
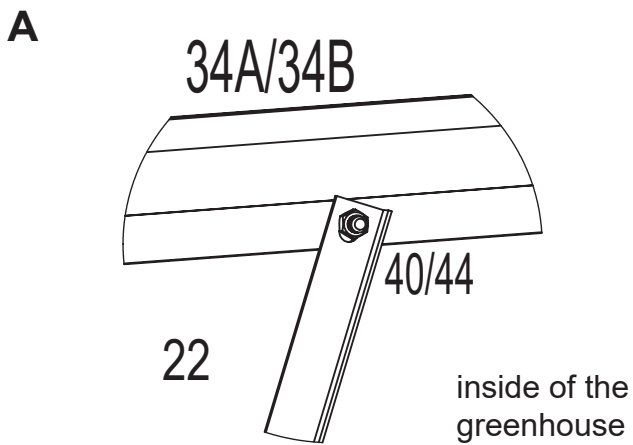
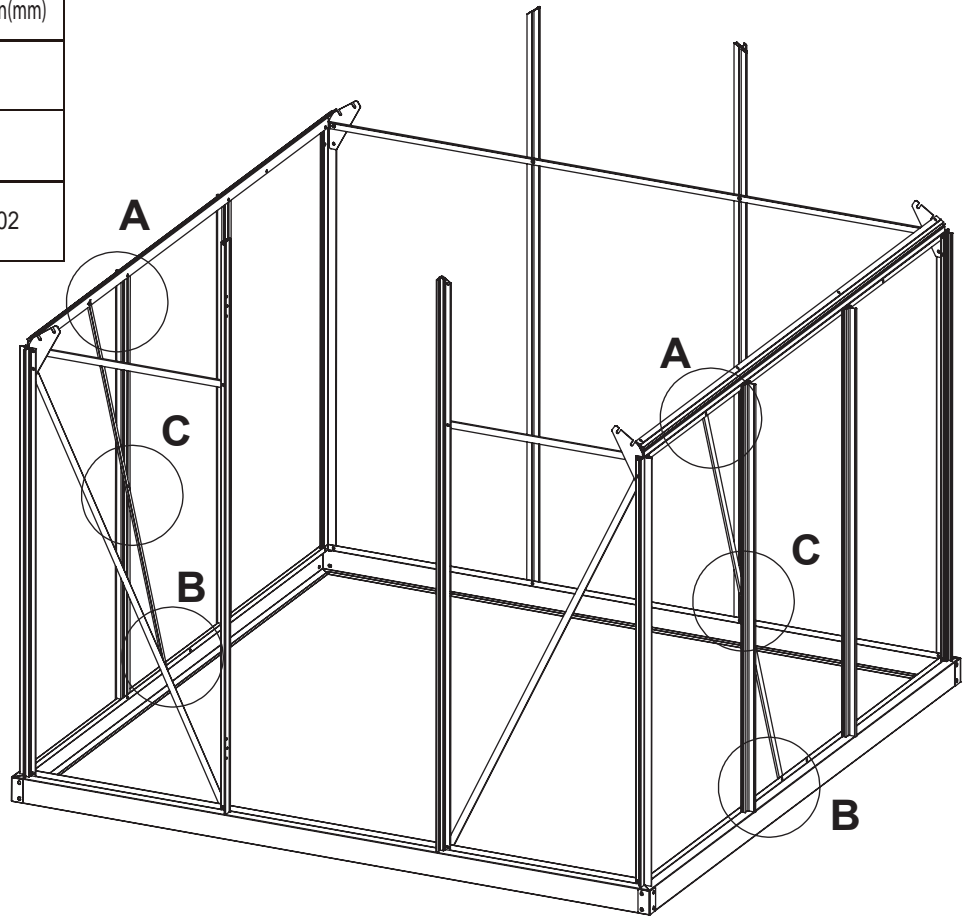


Foundation assembling

two people must be there



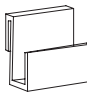

Step 5

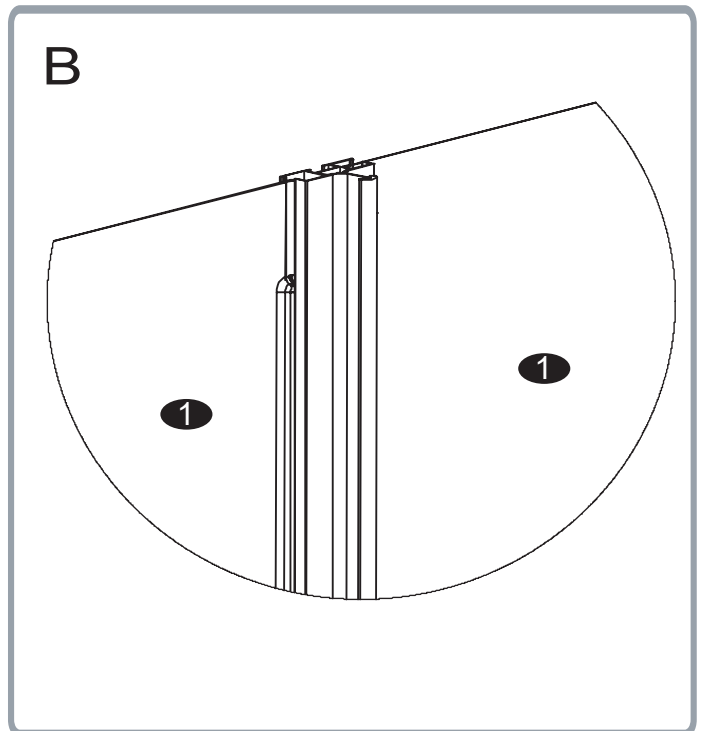
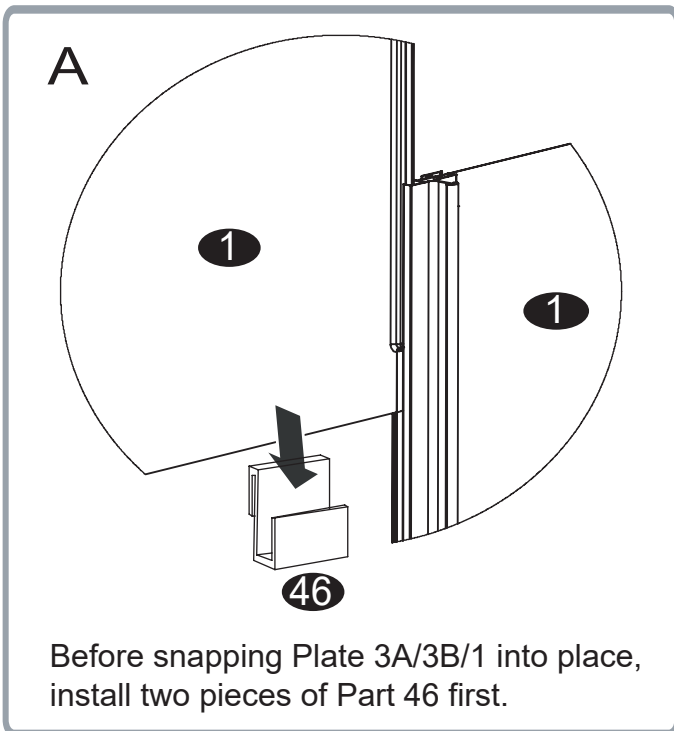
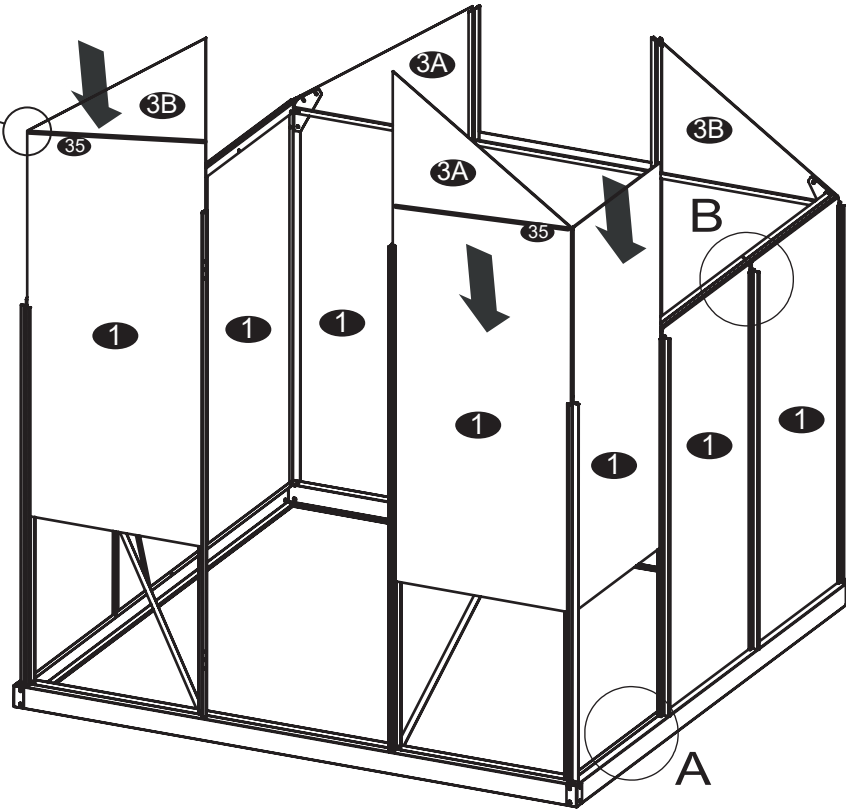
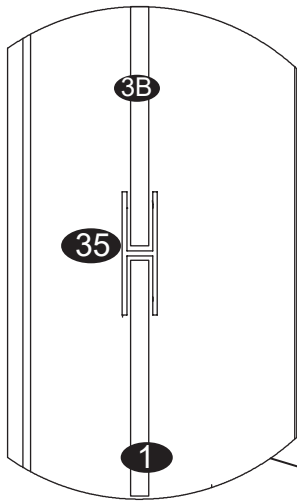
Art.Nr.	Qty.	Picture	Dimension(mm)
40	4PC		
44	4PC		
22	2PC		1302



Step 6


PC panels

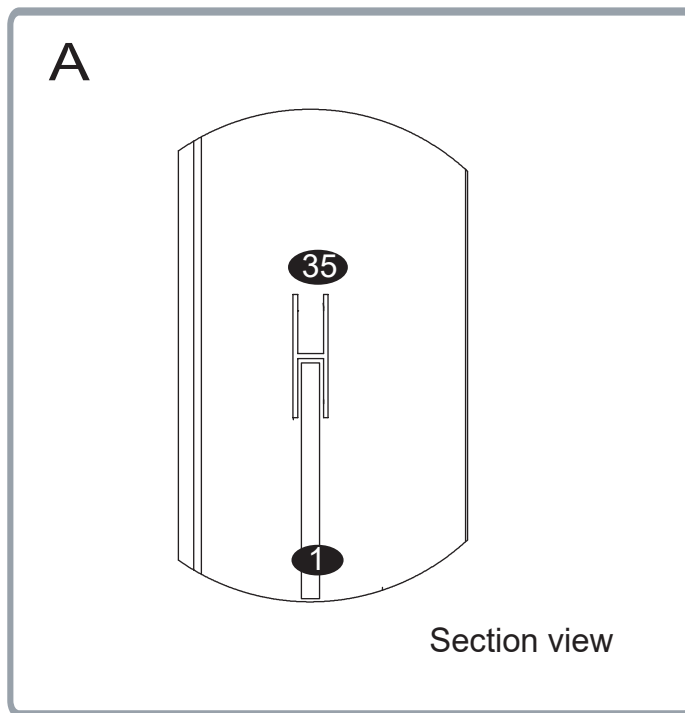
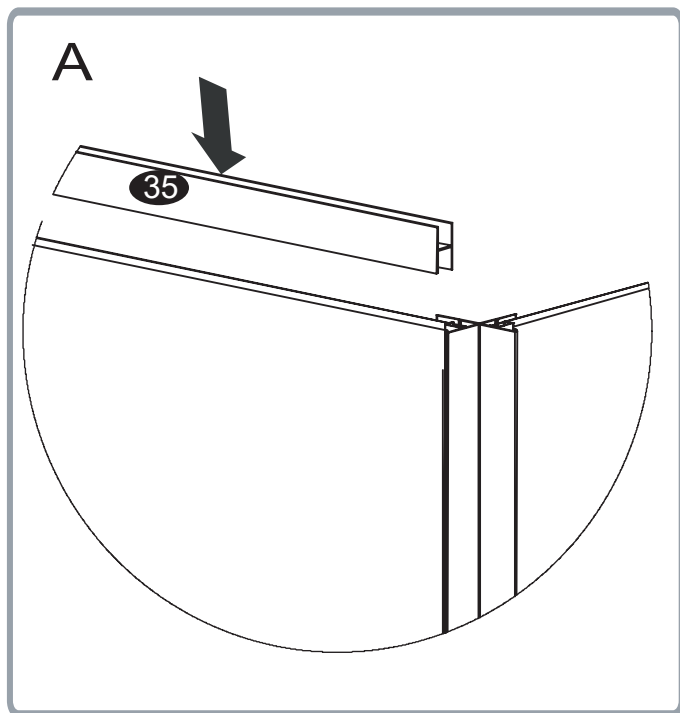
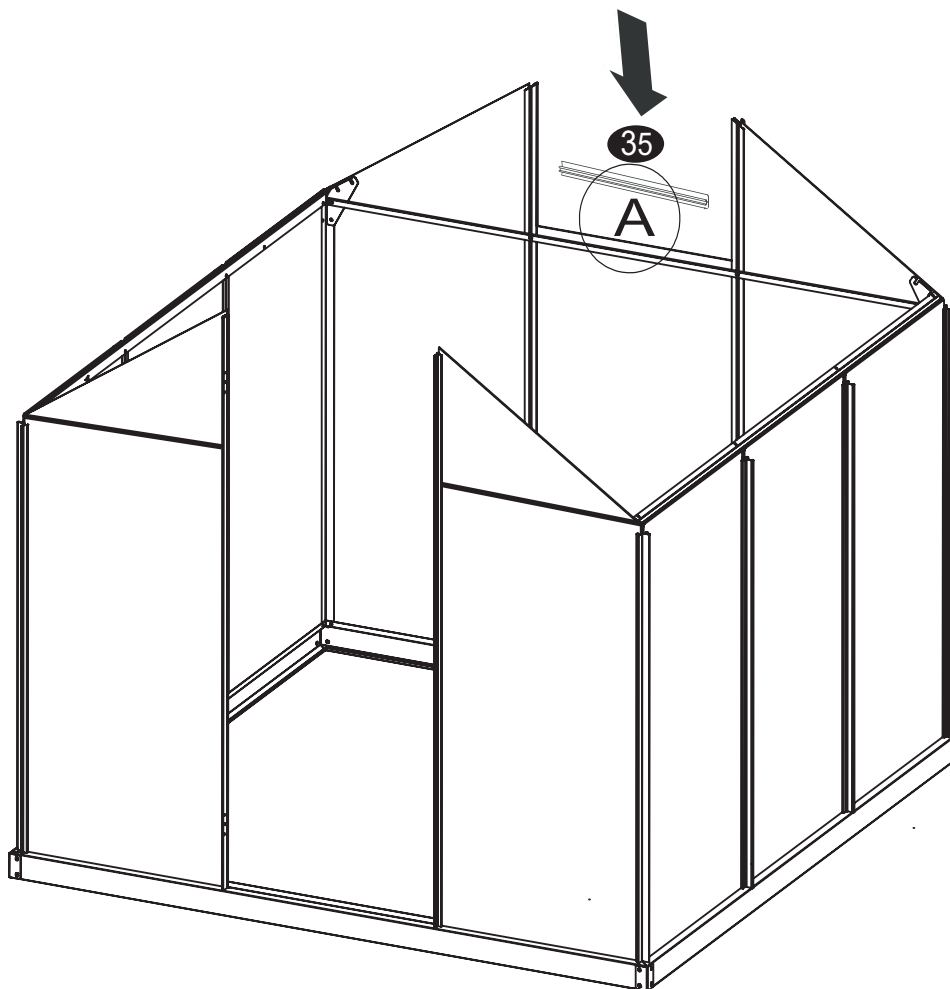
Art.Nr.	Qty.	Picture	Dimension(mm)
1	11PC		1240*595
3A/3B	4PC		400*595
46	22PC		
35	4PC		575




Before snapping Plate 3A/3B/1 into place, install two pieces of Part 46 first.

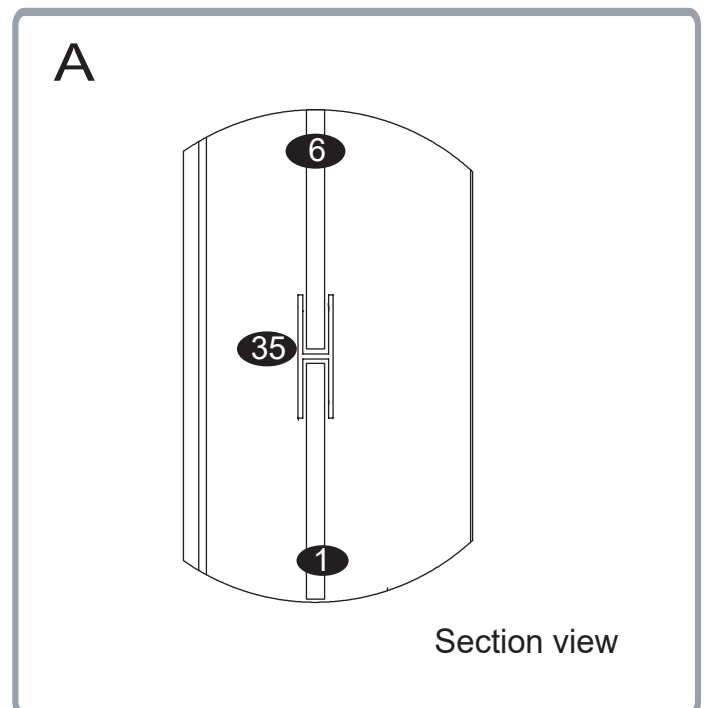
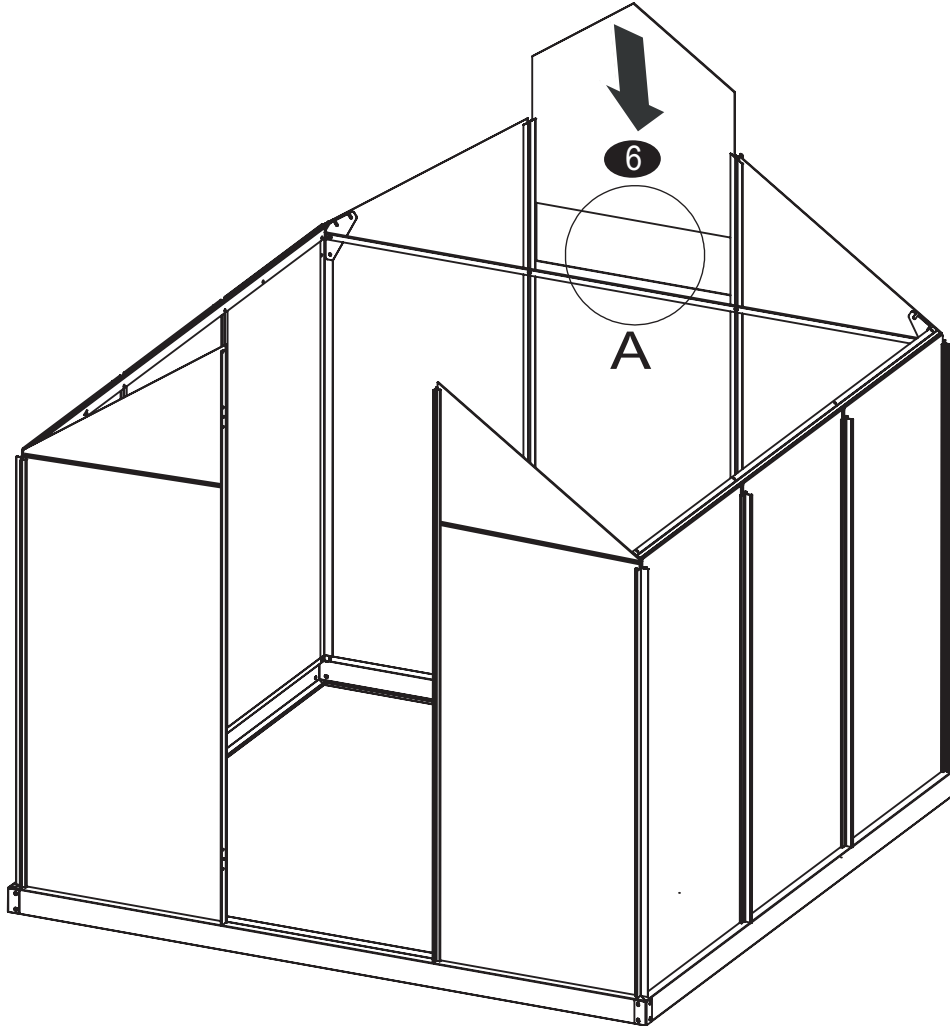
Step 6

Art.Nr.	Qty.	Picture	Dimension(mm)
35	1PC		575



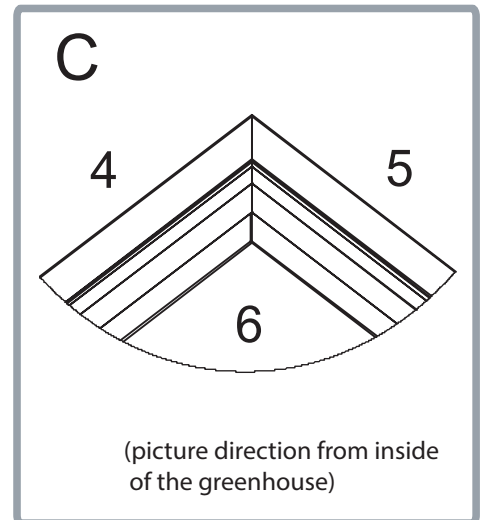
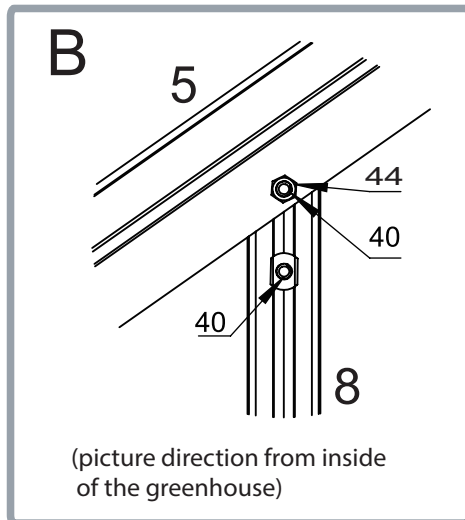
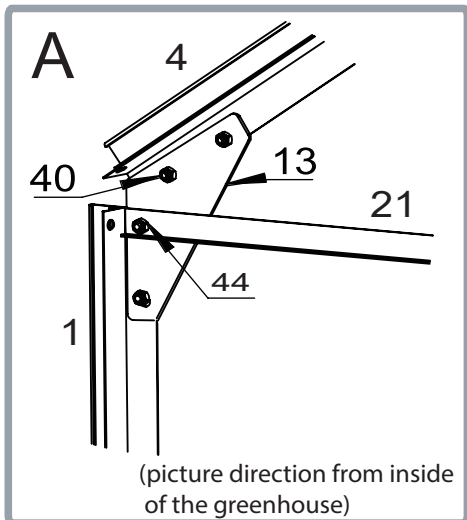
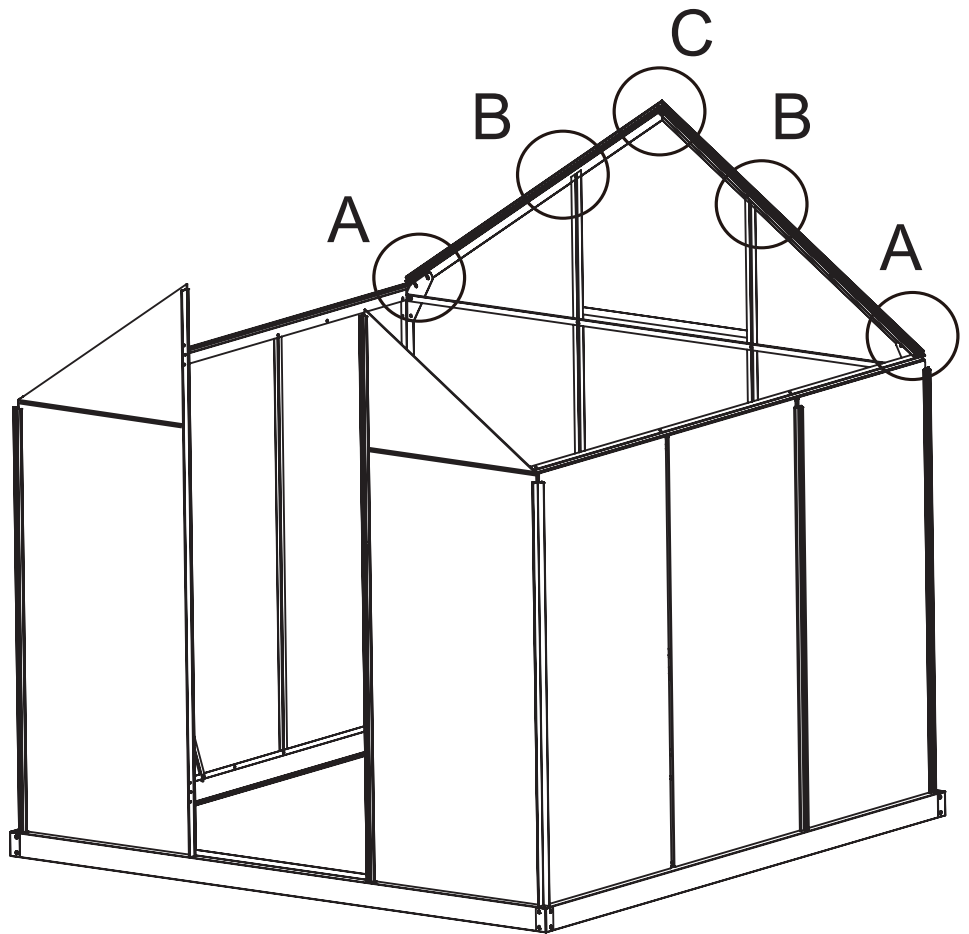
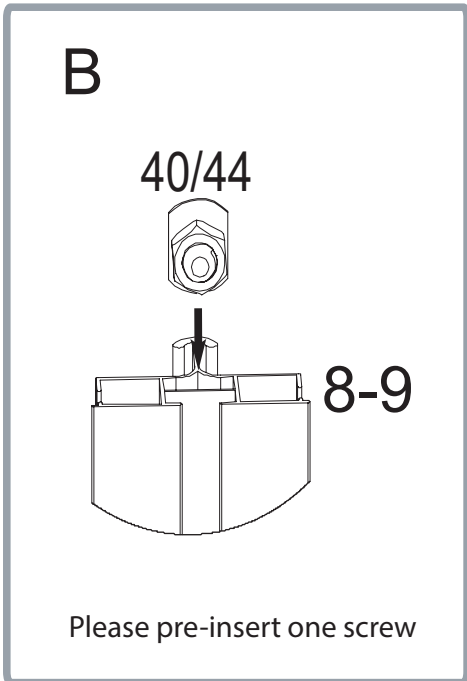
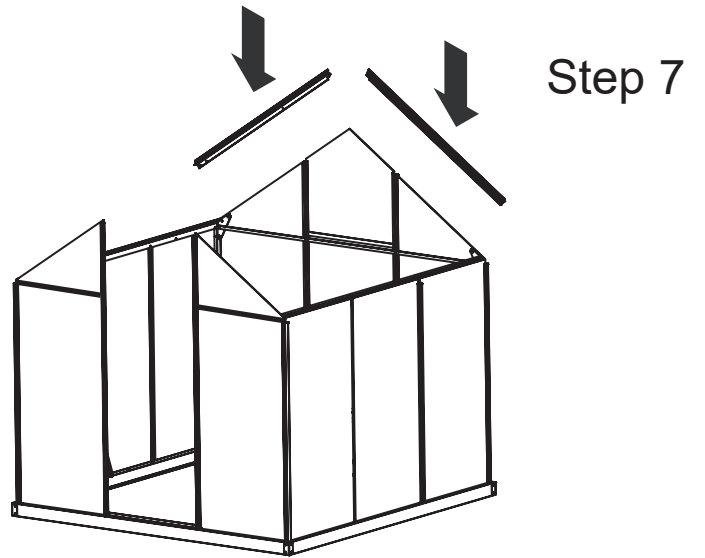
Step 6

Art.Nr.	Qty.	Picture	Dimension(mm)
6	1PC		595*615






Assemble the frame of front wall

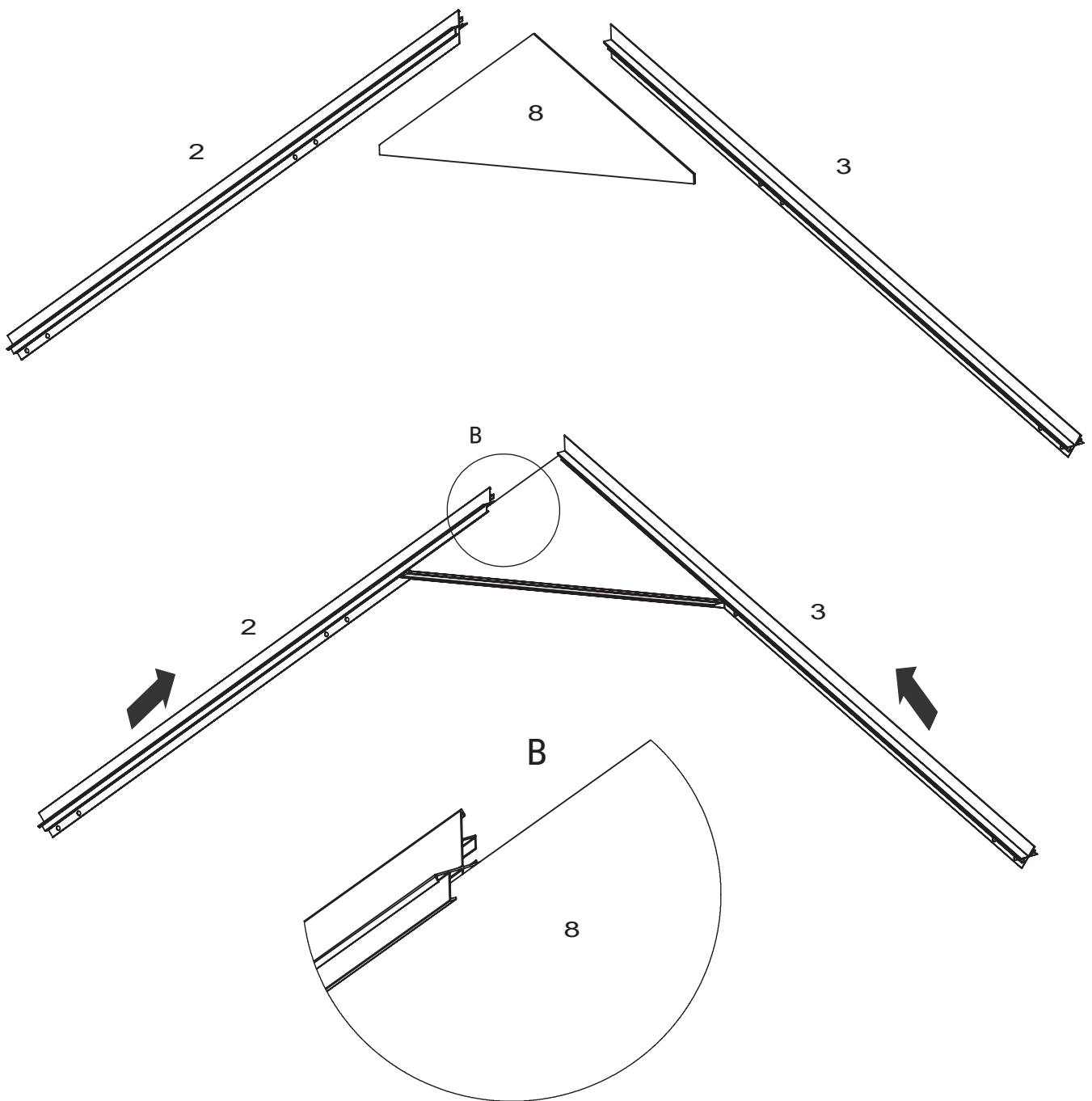
Art.Nr.	Qty.	Picture	Dimension(mm)
4	1PC		1094
5	1PC		1094
40	6PC		
44	6PC		



Assemble the frame of front wall




Step 8

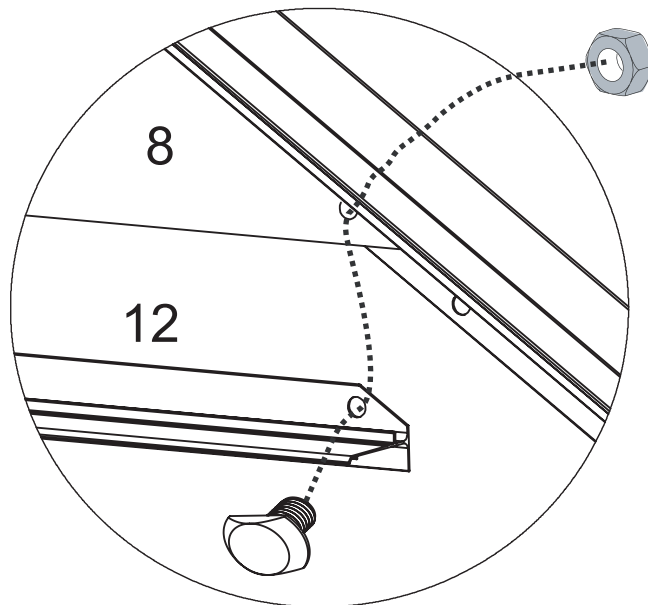
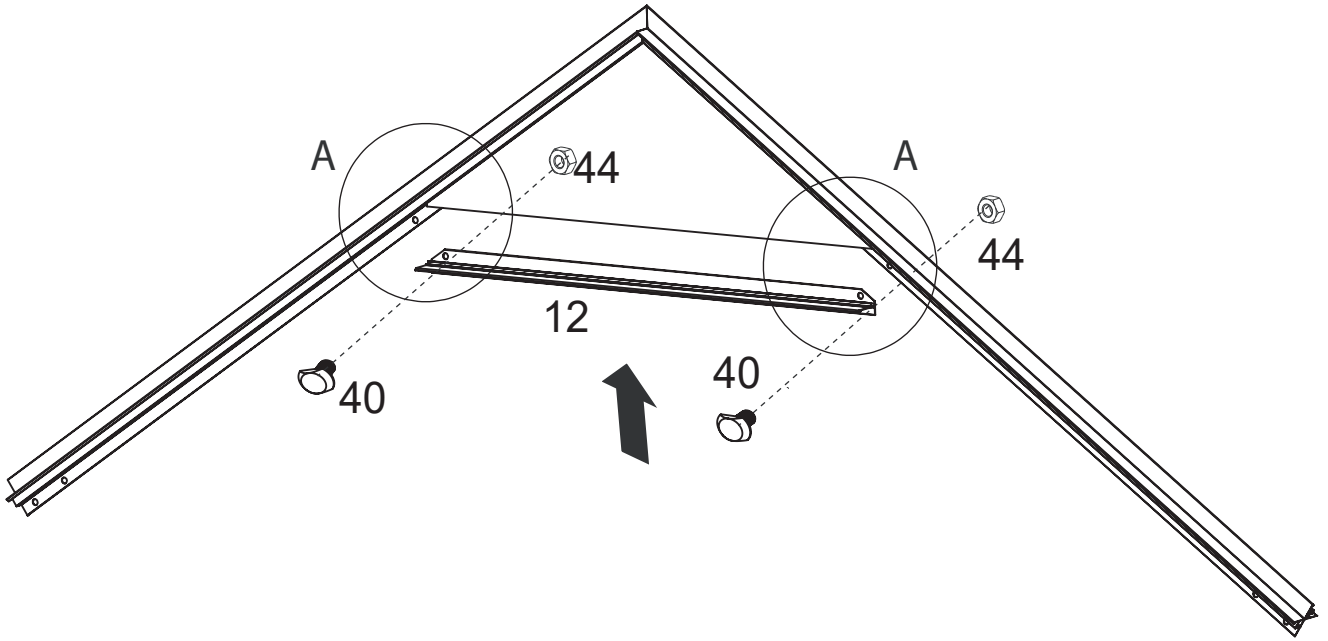
Art.Nr.	Qty.	Picture	Dimension(mm)
2	1PC		1094
3	1PC		1094
PC panels			
8	1PC		



Step 8

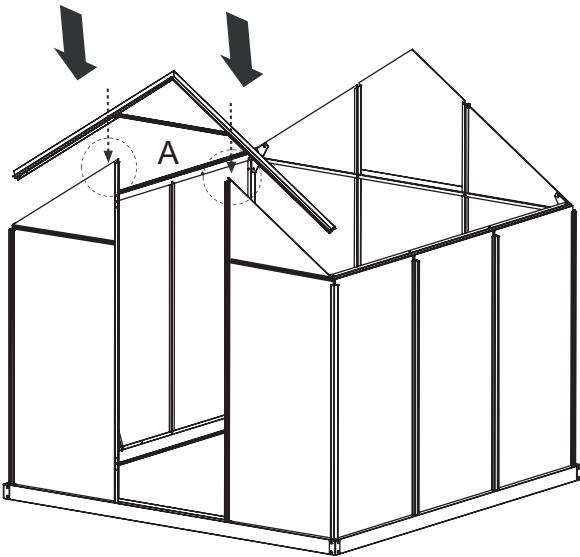
Assemble the frame of front wall

Art.Nr.	Qty.	Picture	Dimension(mm)
40	2PC		
44	2PC		
12	1PC		



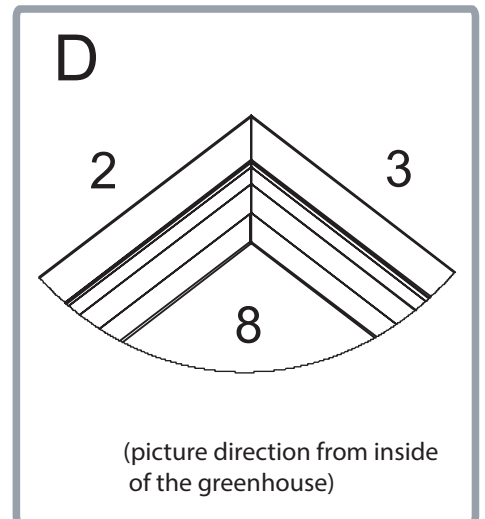
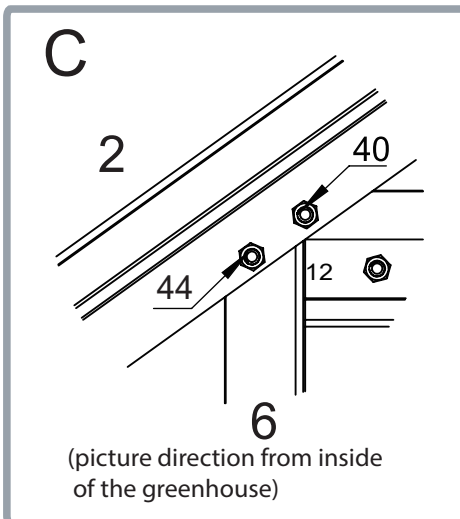
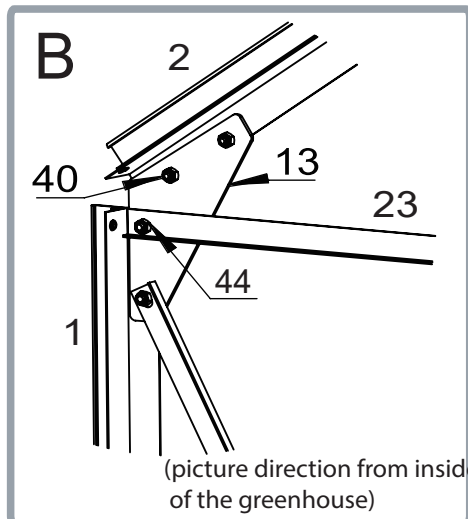
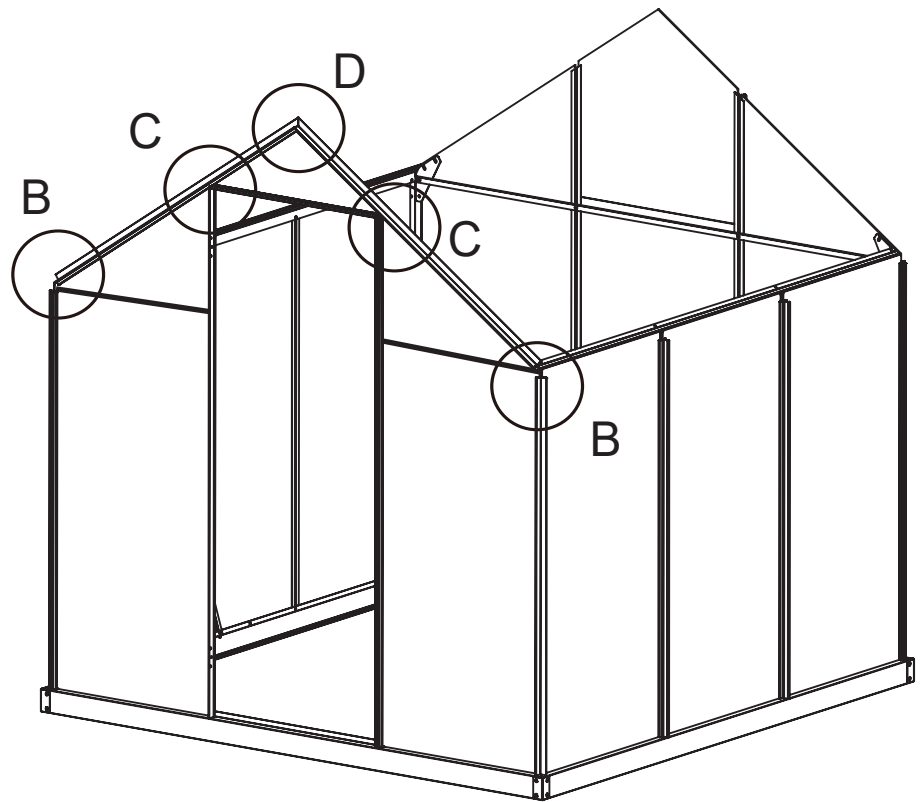
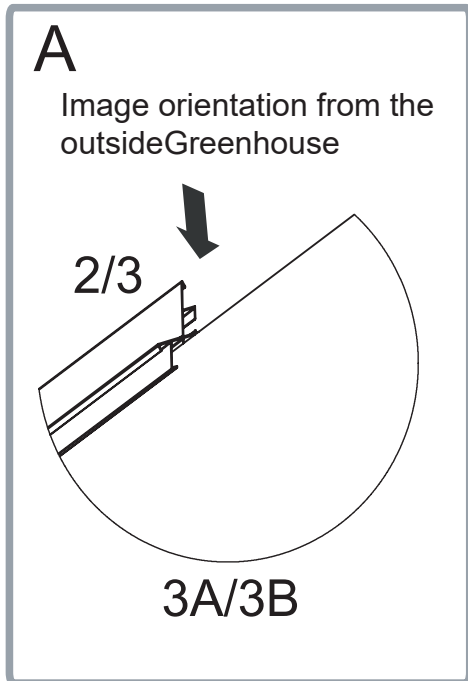
Install the upper part of the front door downward

Step 8



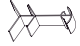


Assemble the frame of front wall

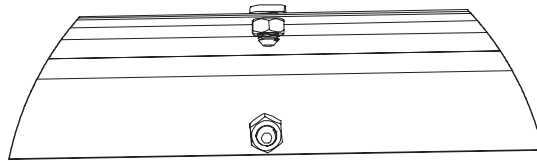
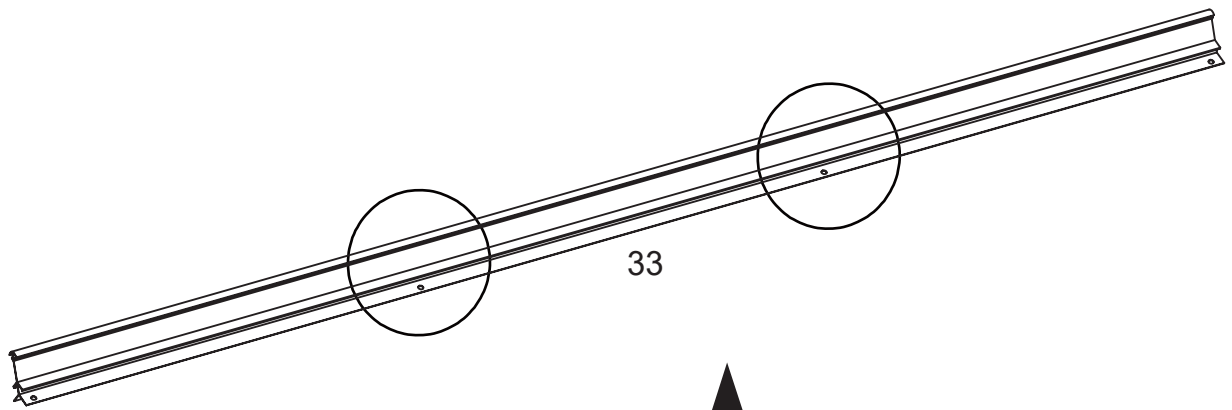
Art.Nr.	Qty.	Picture	Dimension(mm)
40	6PC		
44	6PC		



Assemble roof frame

Step 9



Art.Nr.	Qty.	Picture	Dimension(mm)
33	1PC		1810
40	4PC		
44	4PC		

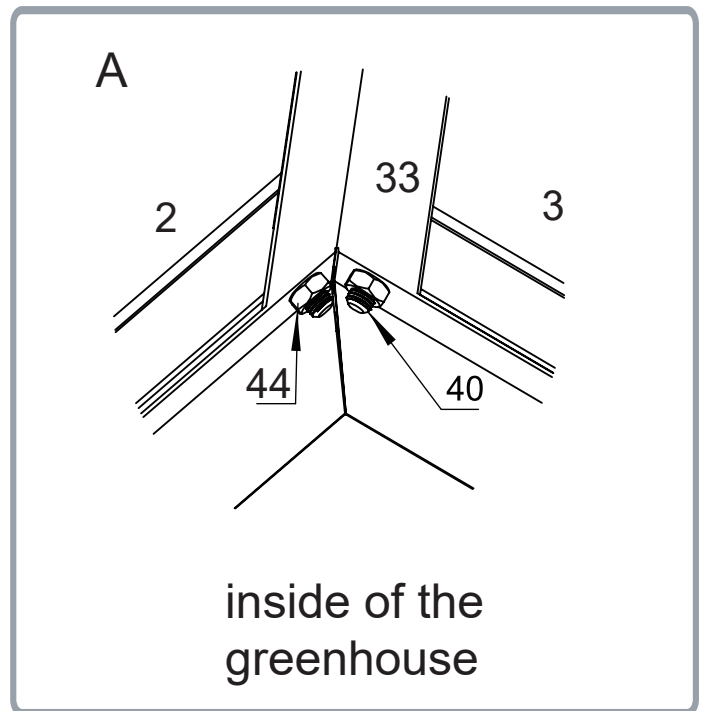
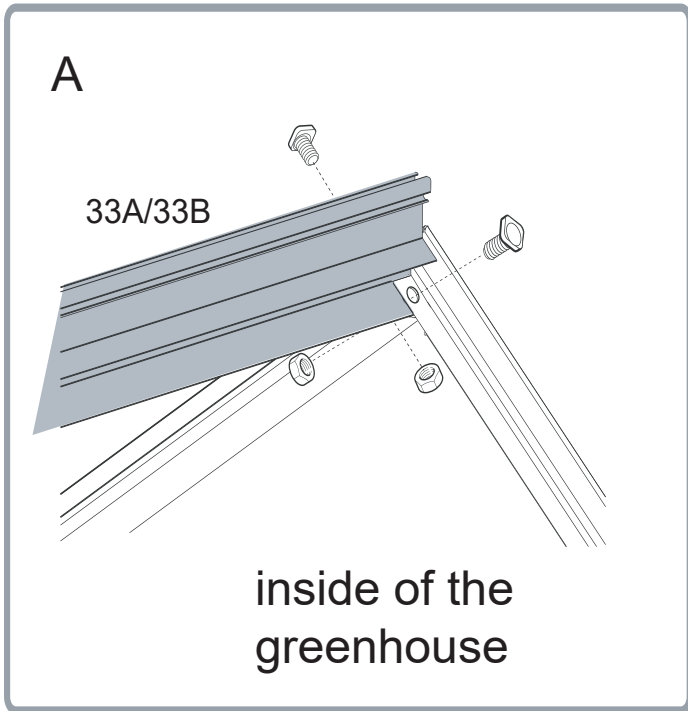
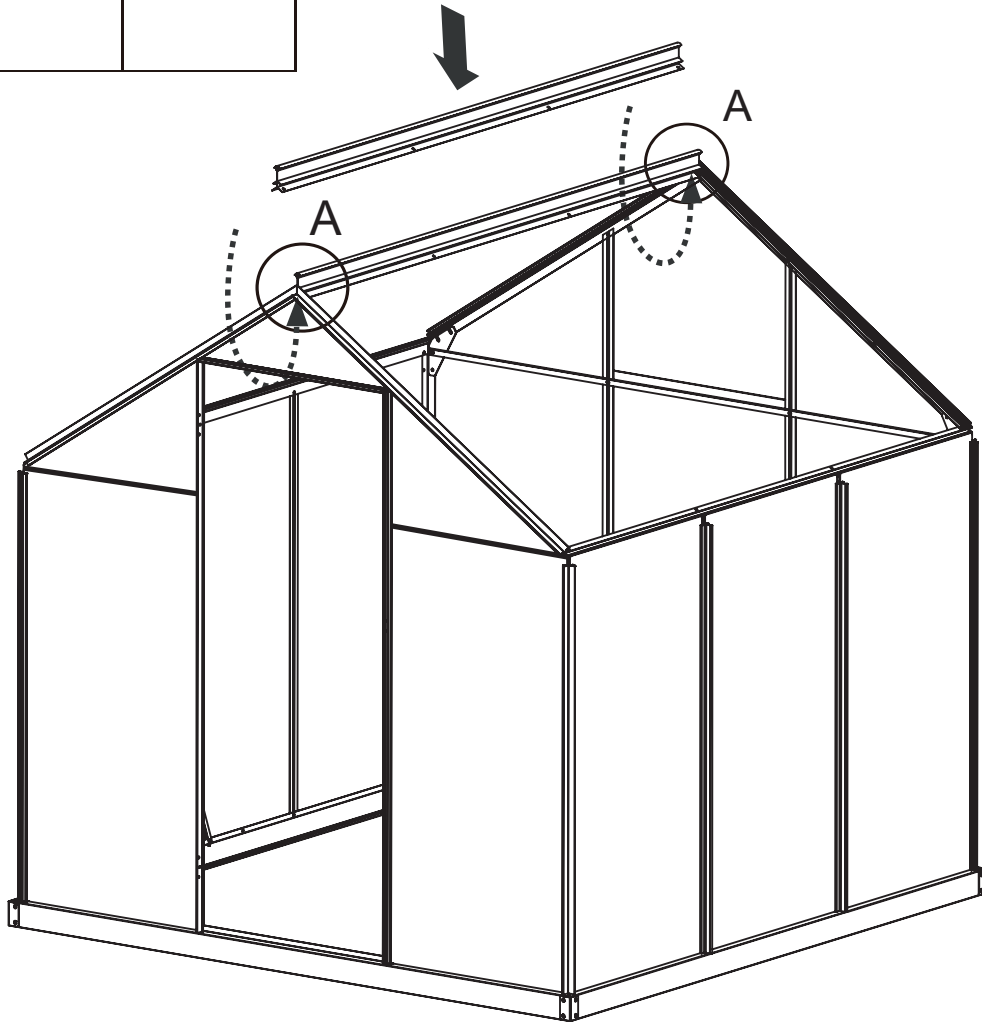


Pre installed screws, no need to tighten

Assemble roof frame




Step 9

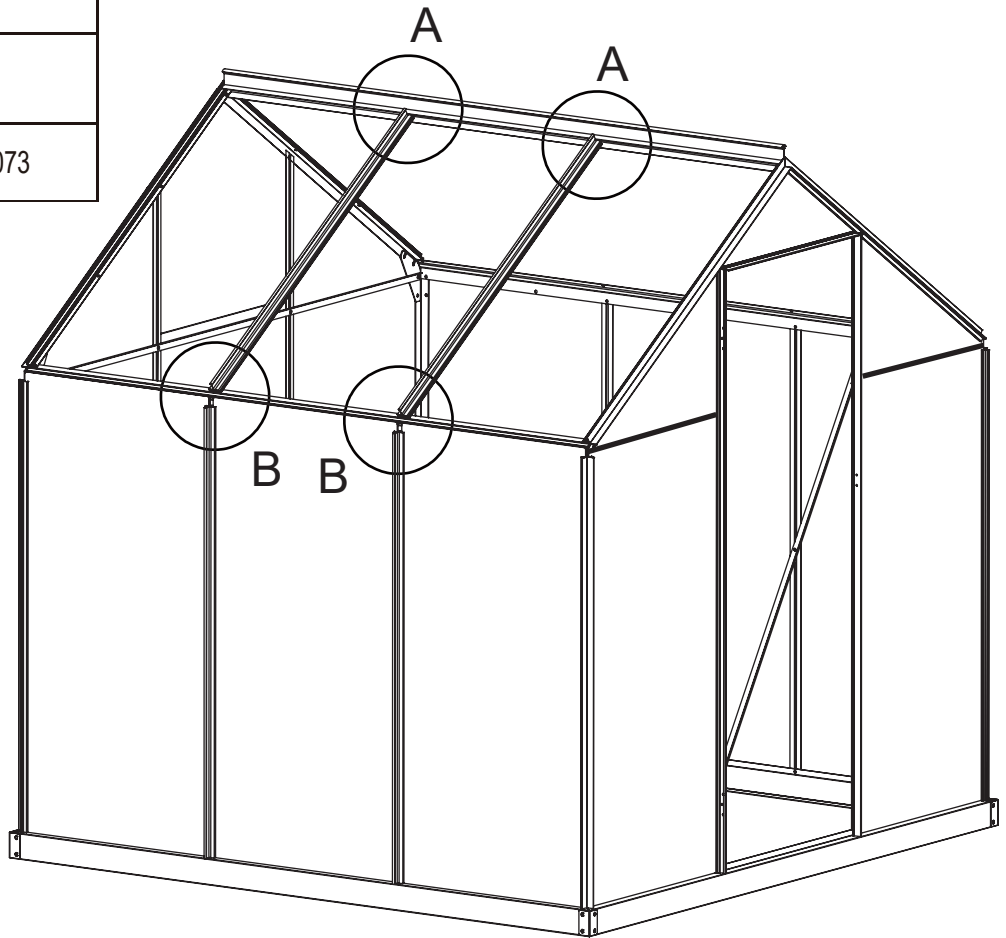
Art.Nr.	Qty.	Picture	Dimension(mm)
40	4PC		
44	4PC		



Assemble roof frame

Step 10

Art.Nr.	Qty.	Picture	Dimension(mm)
40	4PC		
44	4PC		
11	2PC		1073



D Will be used on Page 25

40/44

11

pre-set 2 screws

Pre install screws before installing accessory 11

A **33A/33B**

11

40/44

22 Pages of Pre-installed Screws

inside of the greenhouse

Please complete Step D first.

B **inside of the greenhouse**

11

40

34A




44

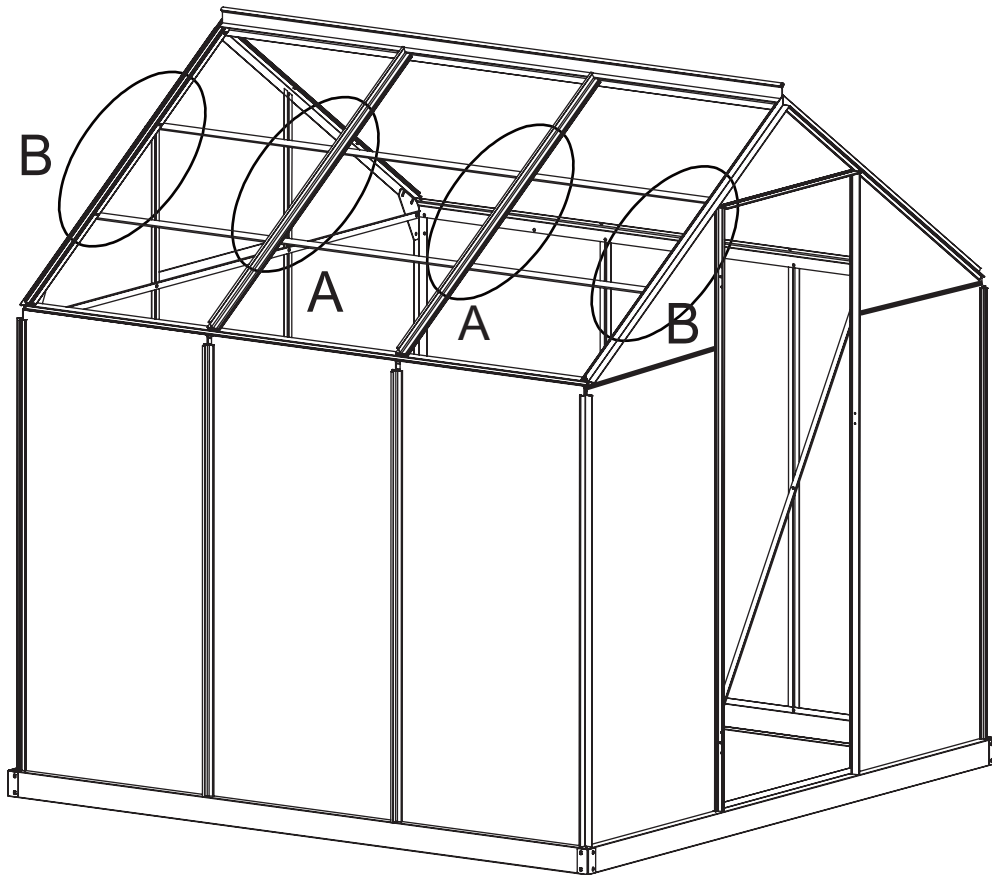
10

Please complete Step D first.

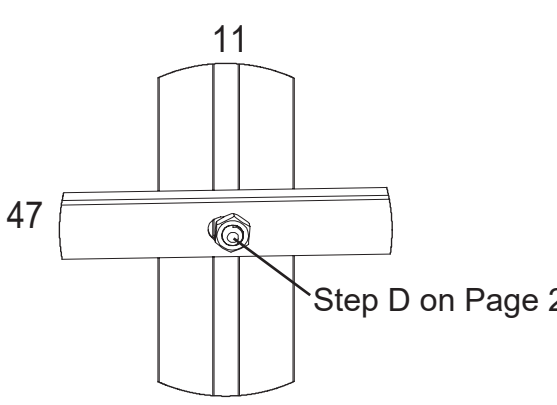
Assemble roof frame

Step 10

Art.Nr.	Qty.	Picture	Dimension(mm)
40	4PC		
44	4PC		
47	2PC		1802

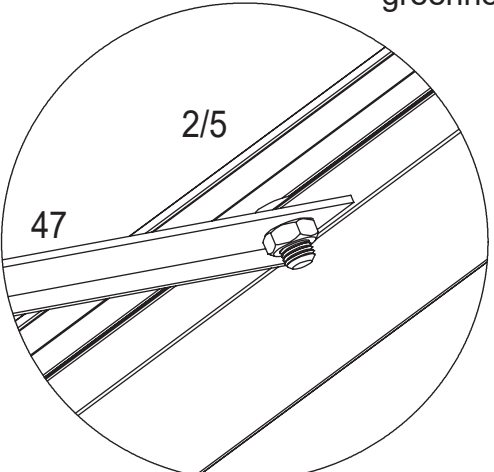


A inside of the greenhouse



Accessory 47 is fixed on accessory 11




B inside of the greenhouse

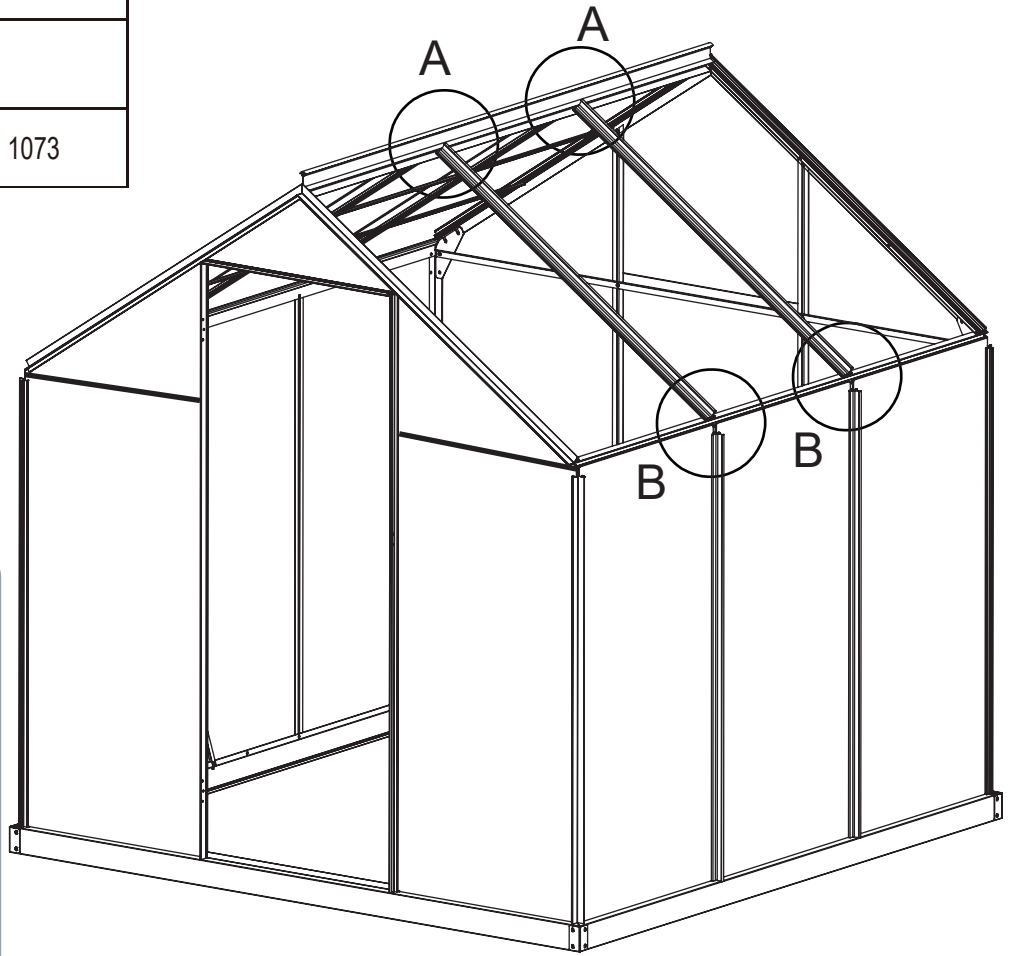


Accessory 47 is fixed on accessory 2/5

Assemble roof frame

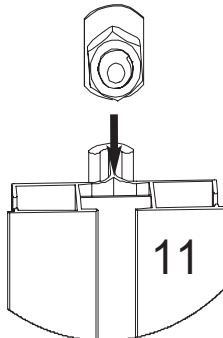
Step 10

Art.Nr.	Qty.	Picture	Dimension(mm)
40	6PC		
44	6PC		
11	2PC		1073



D Will be used on Page 27

40/44



11

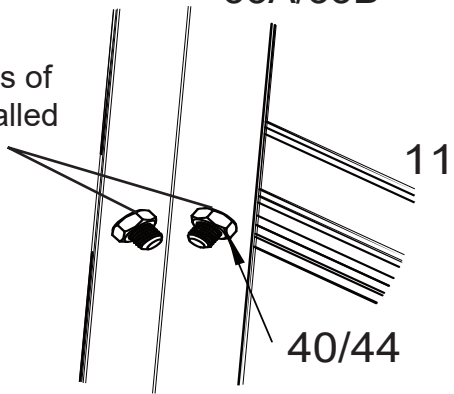
pre-set 3 screws

Pre install screws before installing accessory 11

A

33A/33B

22 Pages of Pre-installed Screws



11

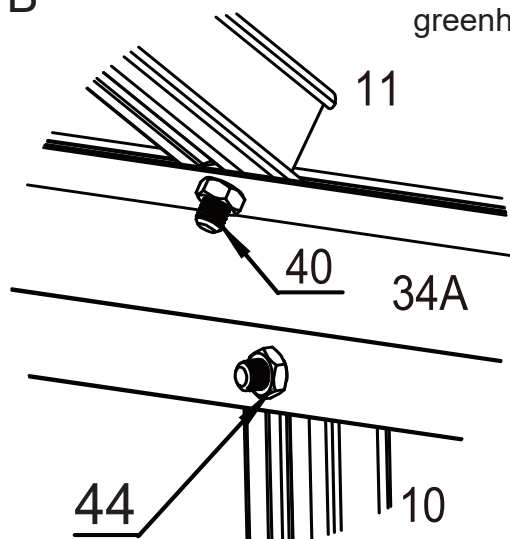
40/44

inside of the greenhouse

Please complete Step D first.

B

inside of the greenhouse



11

40

34A



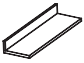
44

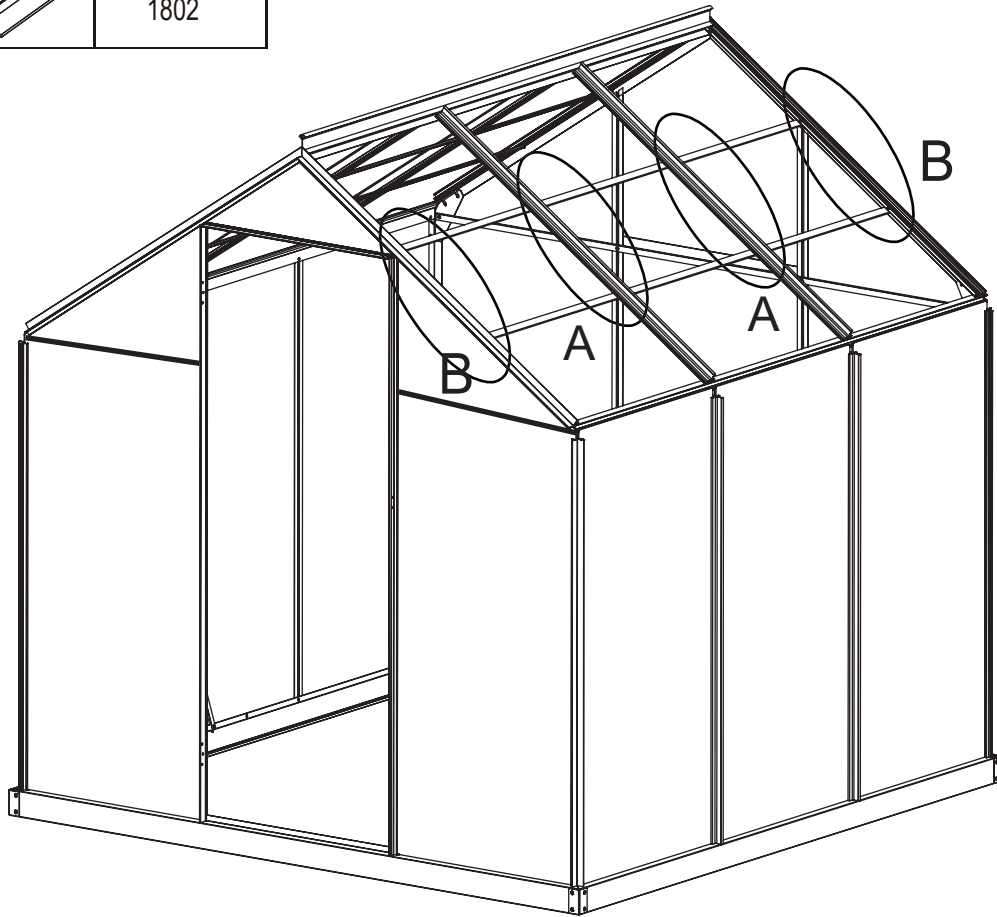
10

Please complete Step D first.

Assemble roof frame

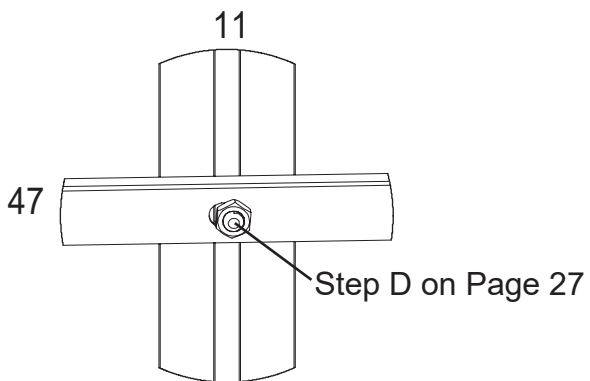
Step 10

Art.Nr.	Qty.	Picture	Dimension(mm)
40	4PC		
44	4PC		
47	2PC		1802



A

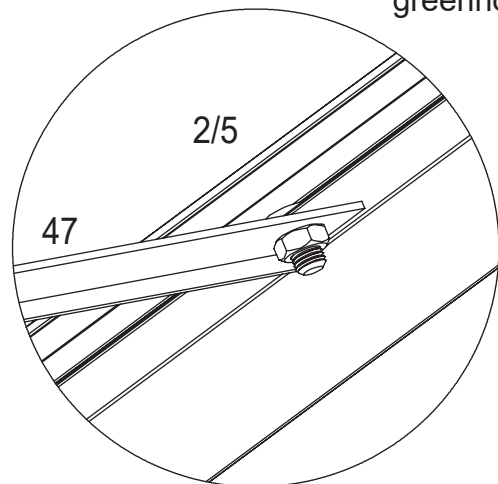
inside of the
greenhouse



Accessory 47 is fixed on accessory 11

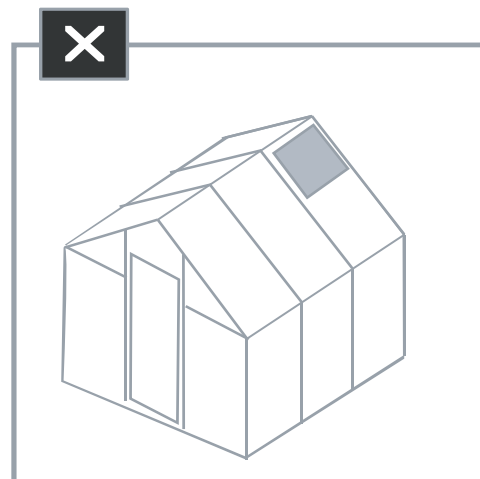
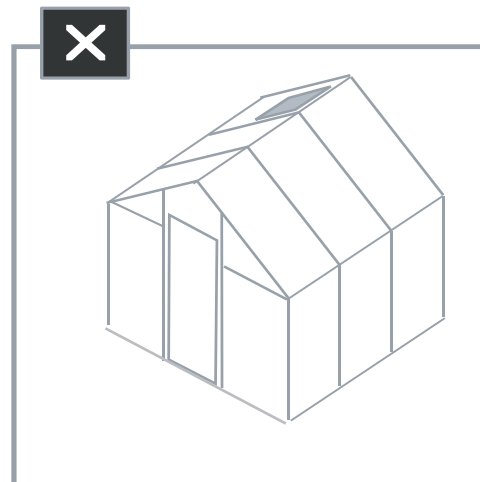
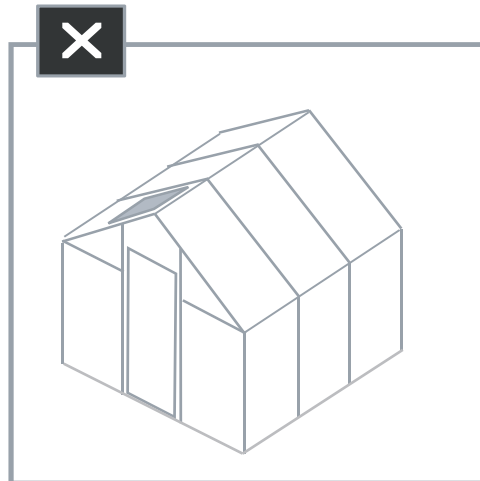
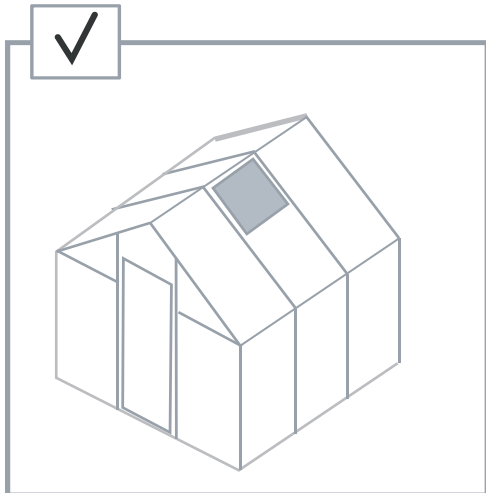
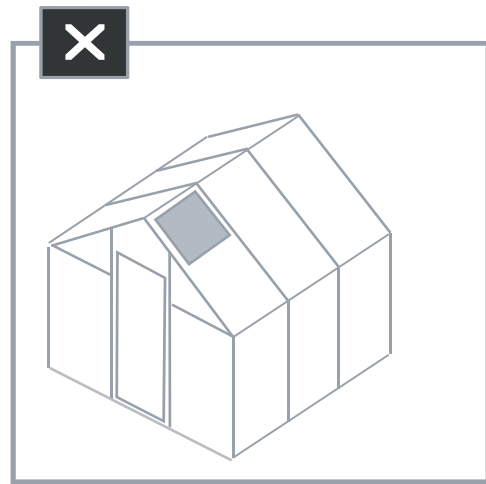
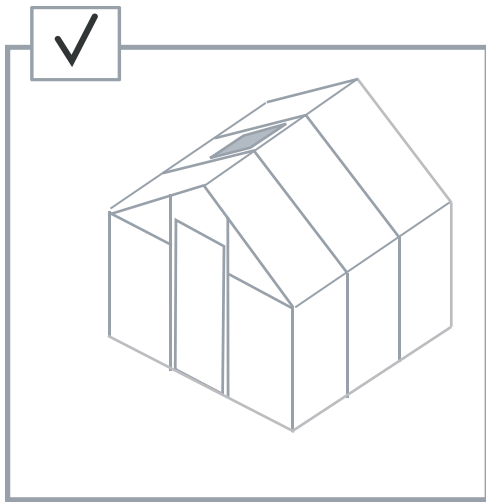
B

inside of the
greenhouse



Accessory 47 is fixed on accessory 2/5

Step 10





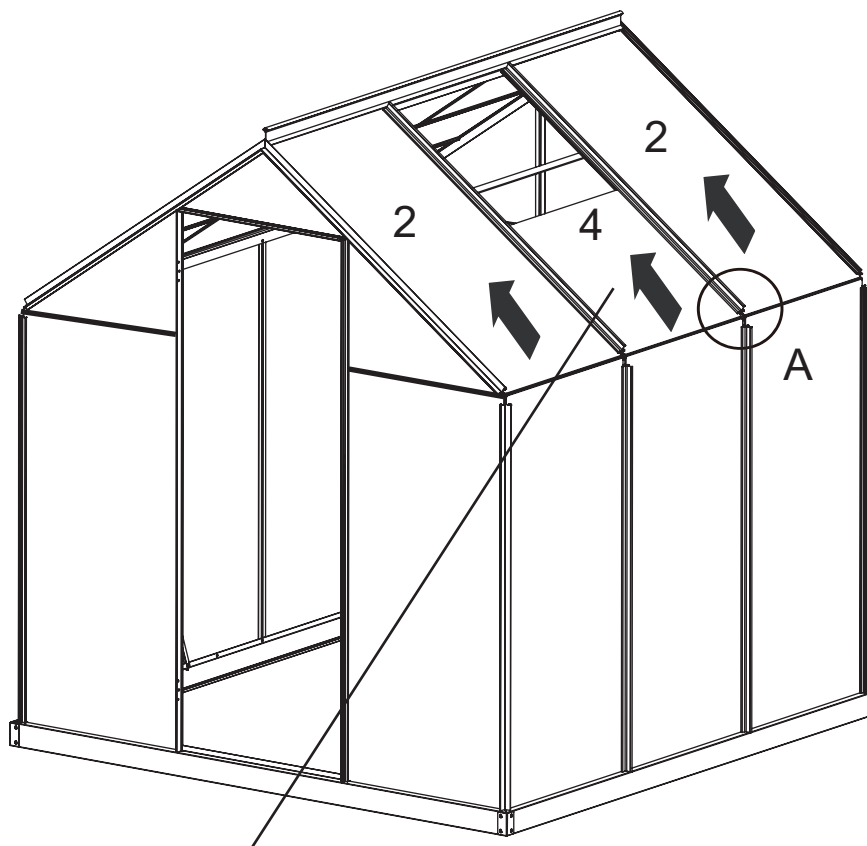
Pay attention to the installation position of the top PC sun panel

Step 11

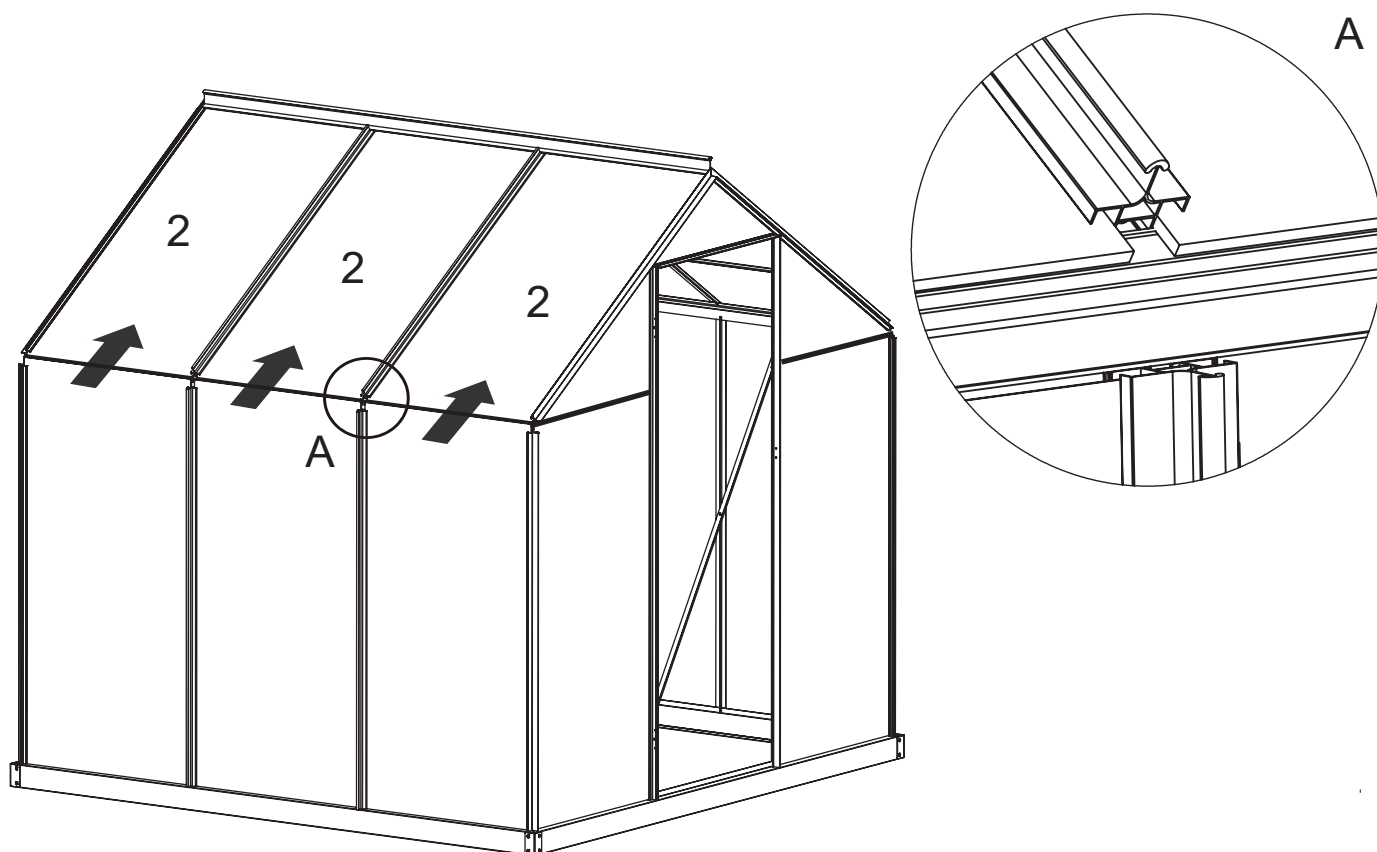
Green protection film side with UV protection, should toward the sun. White protection film side without UV protection towards inside of the greenhouse

Attaching the panel

Art.Nr.	Qty.	Picture	Dimension(mm)
2	5PC		595x1090
4	1PC		595x560

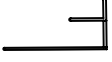


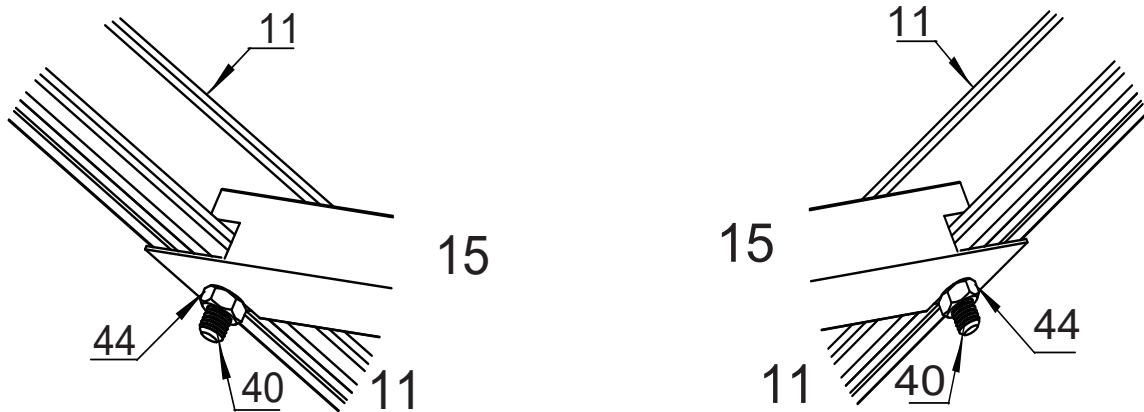
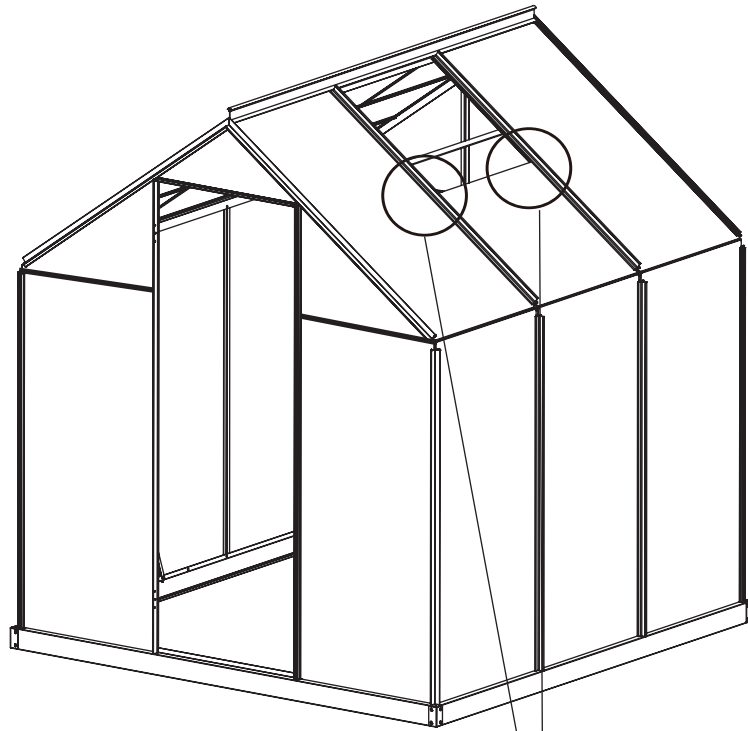
It is recommended to refer to Page 31 for the installation diagram of Panel 4.



Attaching the panel

Step 12

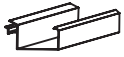
Art.Nr.	Qty.	Picture	Dimension(mm)
15	1PC		634

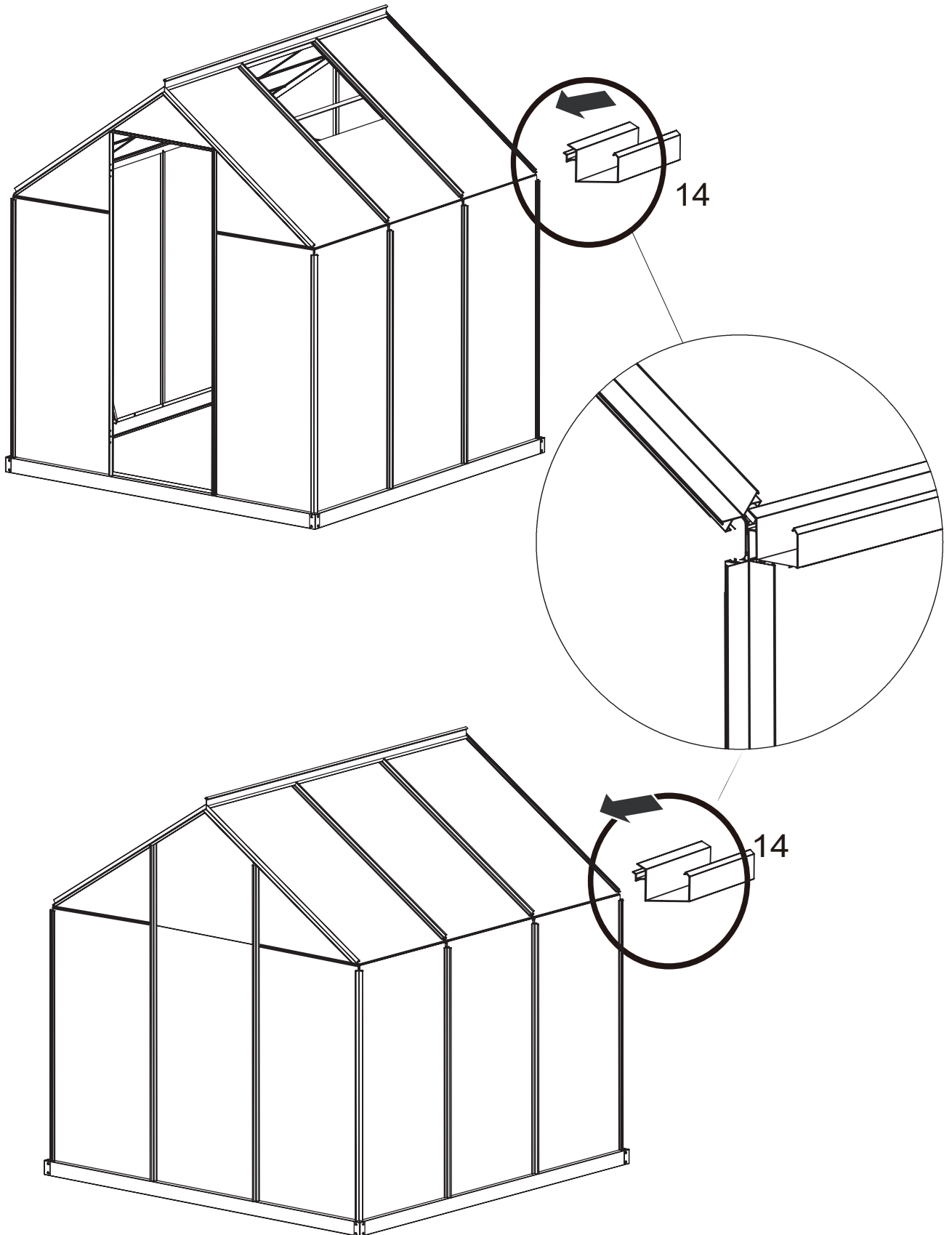


Installation of accessory 15

Attaching the panel

Step 13

Art.Nr.	Qty.	Picture	Dimension(mm)
14	2PC		1814

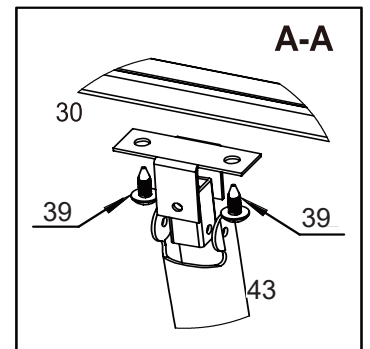
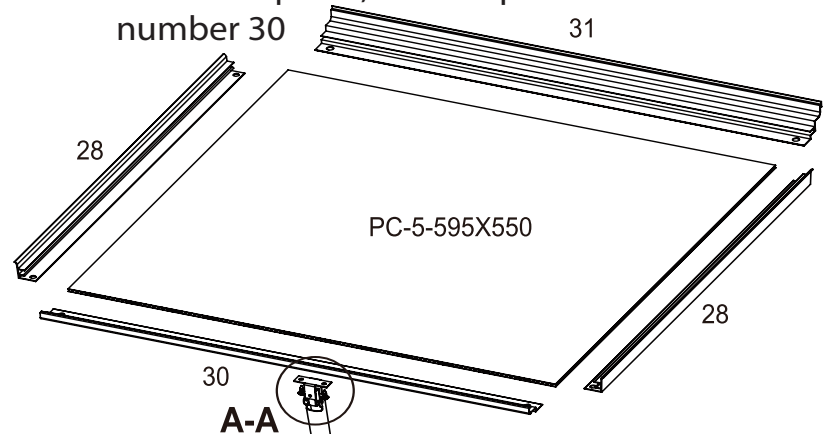


Step 14

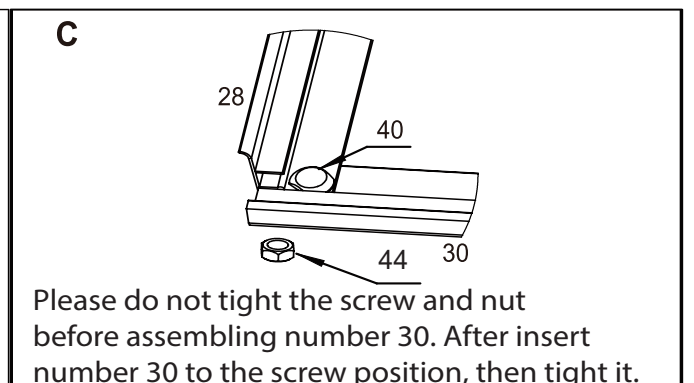
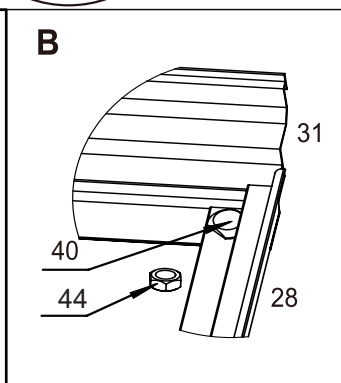
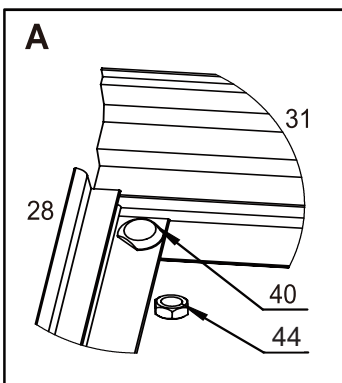
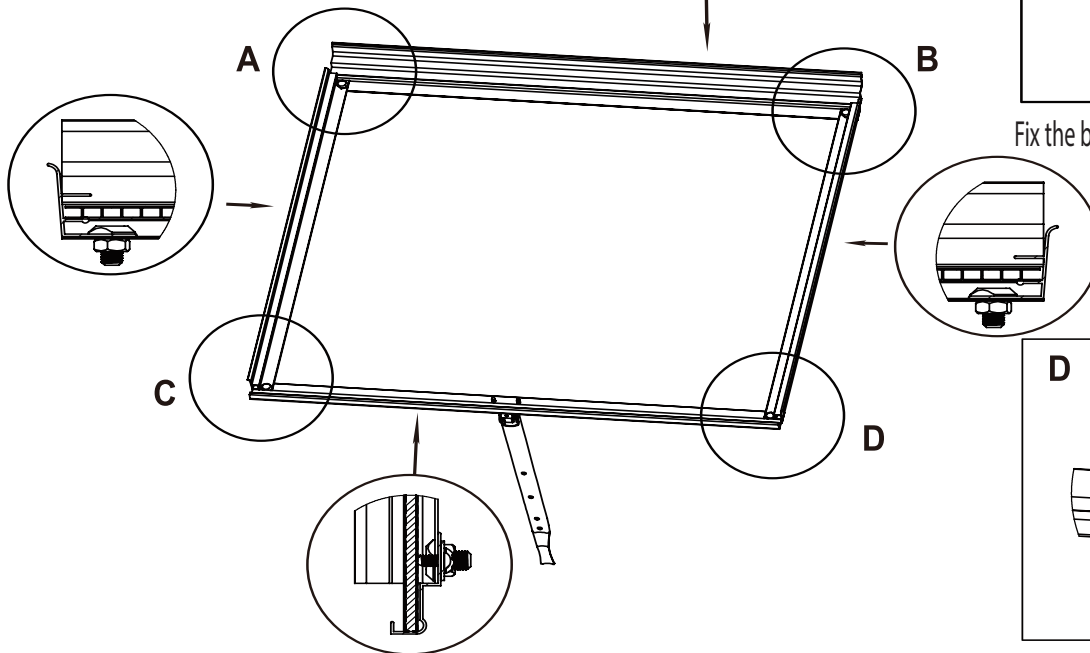
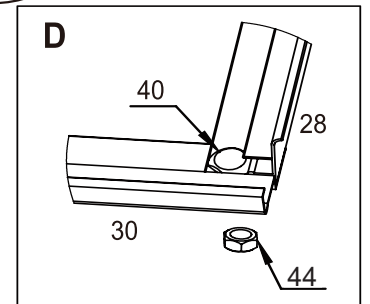
Roof window assembling

Art.Nr.	Qty.	Picture	Dimension(mm)
28	2PC		520
30	1PC		595
31	1PC		595
39	2PC		
40	4PC		
43	1PC		
44	4PC		
5	1PC		595 x 550

Please layout the exploded diagrams as below picture, insert number 40 screws from top to bottom, assemble number 28 and number 31 first, then assemble number 5 panel, next step to attach number 30



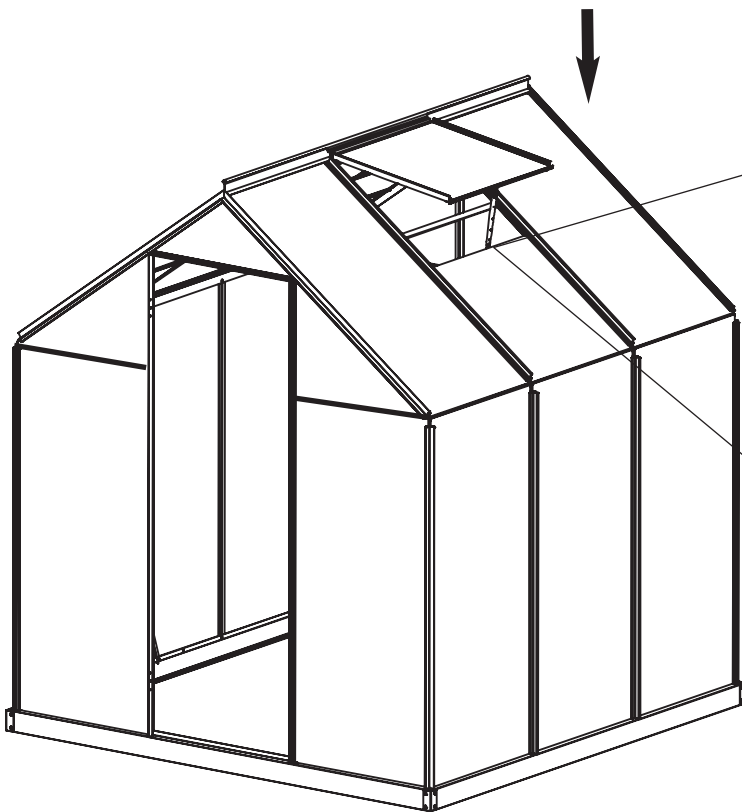
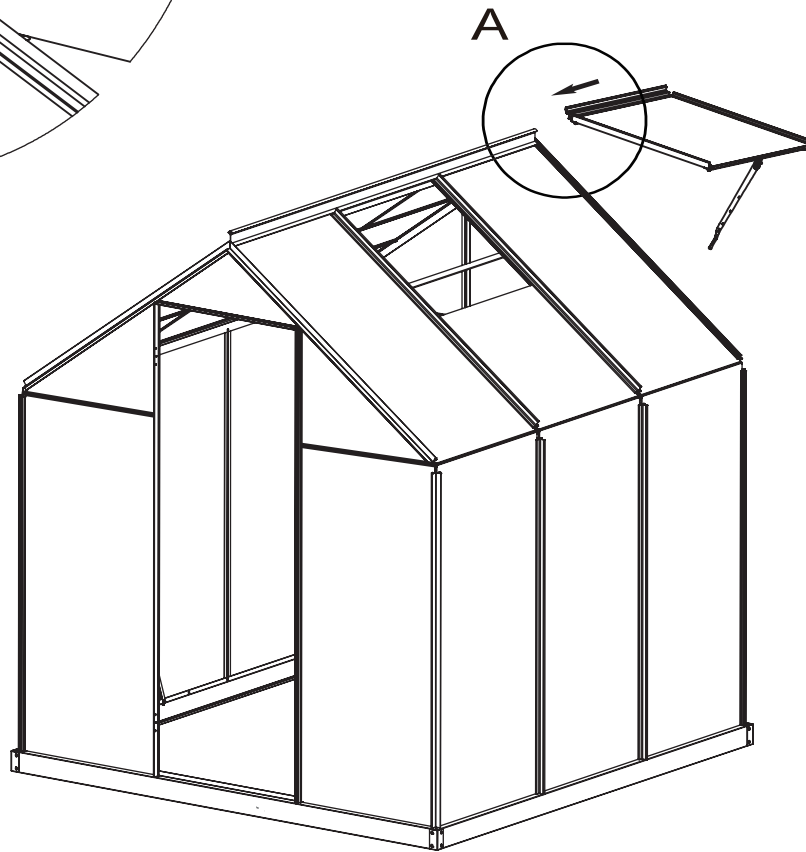
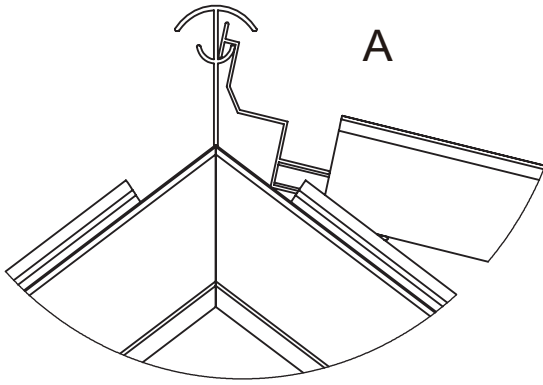
Fix the bracket on the reserved screw hole



Please do not tight the screw and nut before assembling number 30. After insert number 30 to the screw position, then tight it.





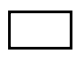

Green protection film side with UV protection, should toward the sun. White protection film side without UV protection towards inside of the greenhouse.

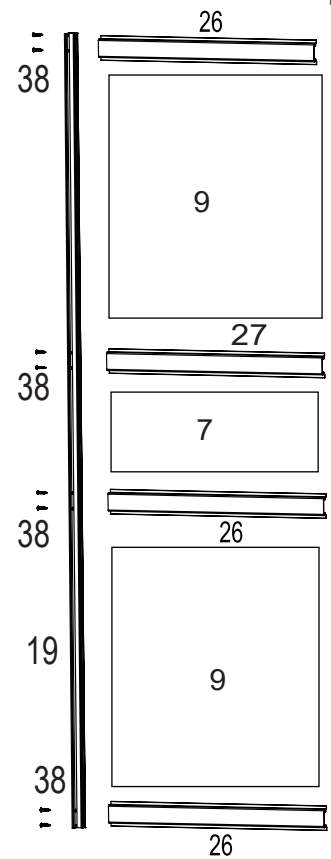
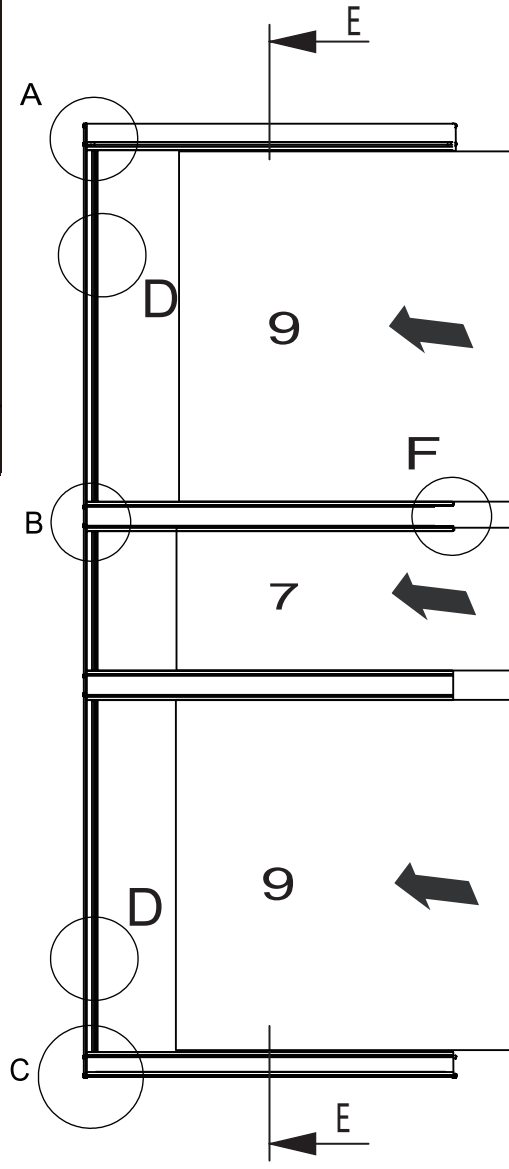
slip into roof window



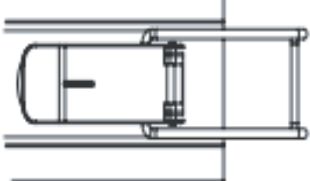
Step 15

Assemble the frame of sliding door

Art.Nr.	Qty.	Picture	Dimension(mm)
19	1PC		1615
26	3PC		565
27	1PC		565
38	8		
PC panels			
7	1PC		565x254
9	2PC		565x592




F

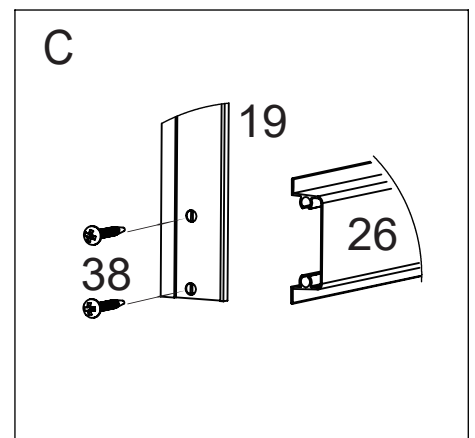
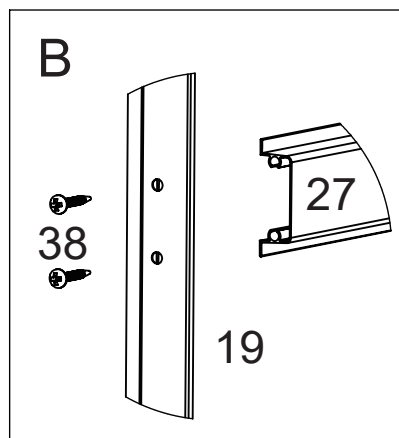
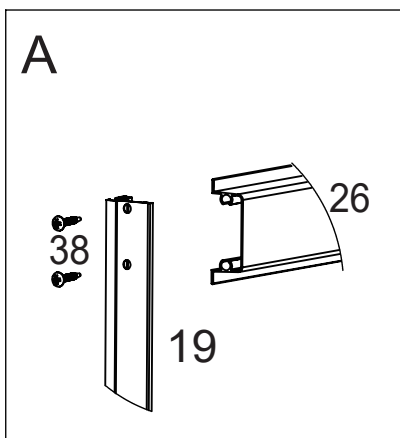
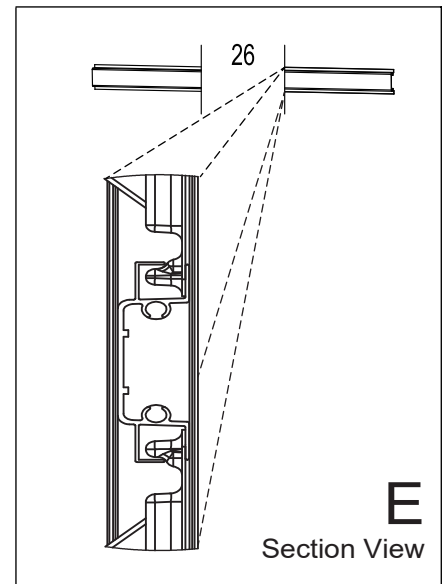


Note the mounting direction of the No. 27 latch

D

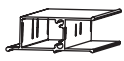



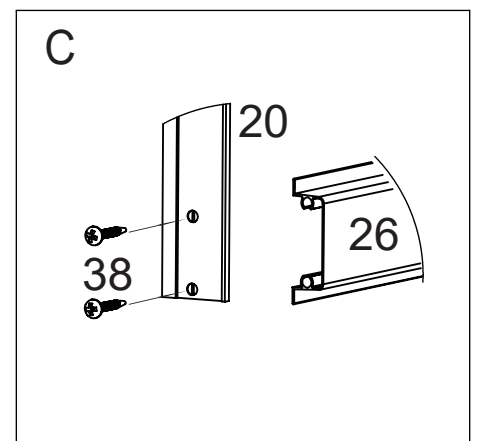
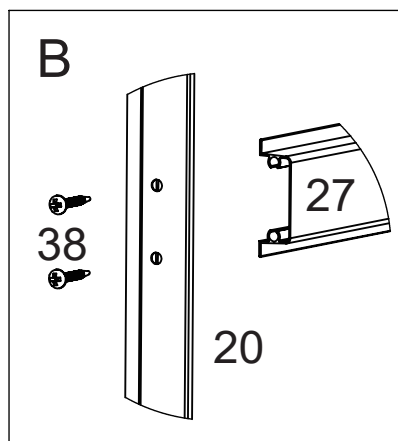
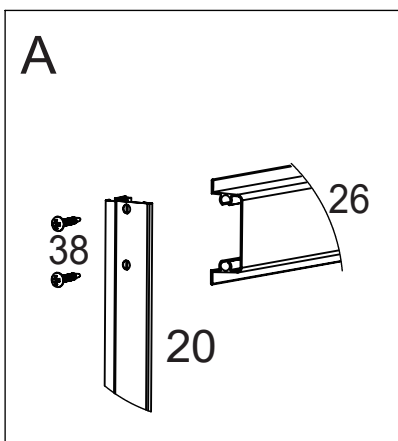
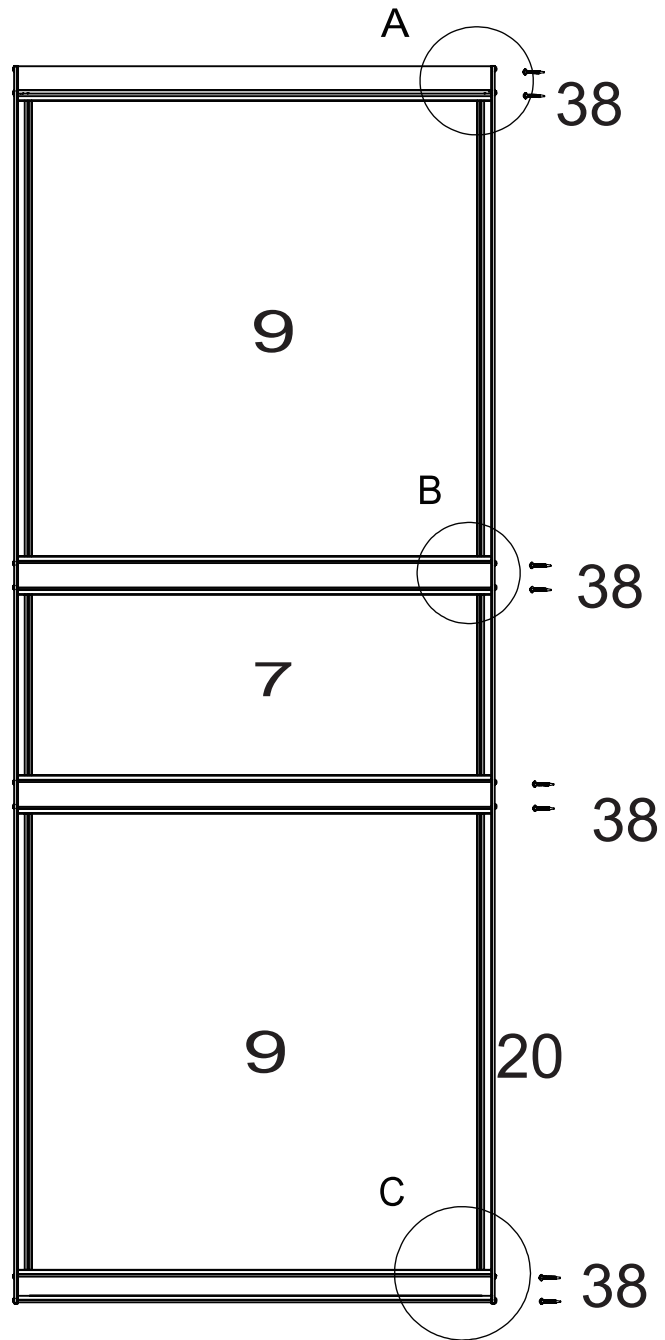
19

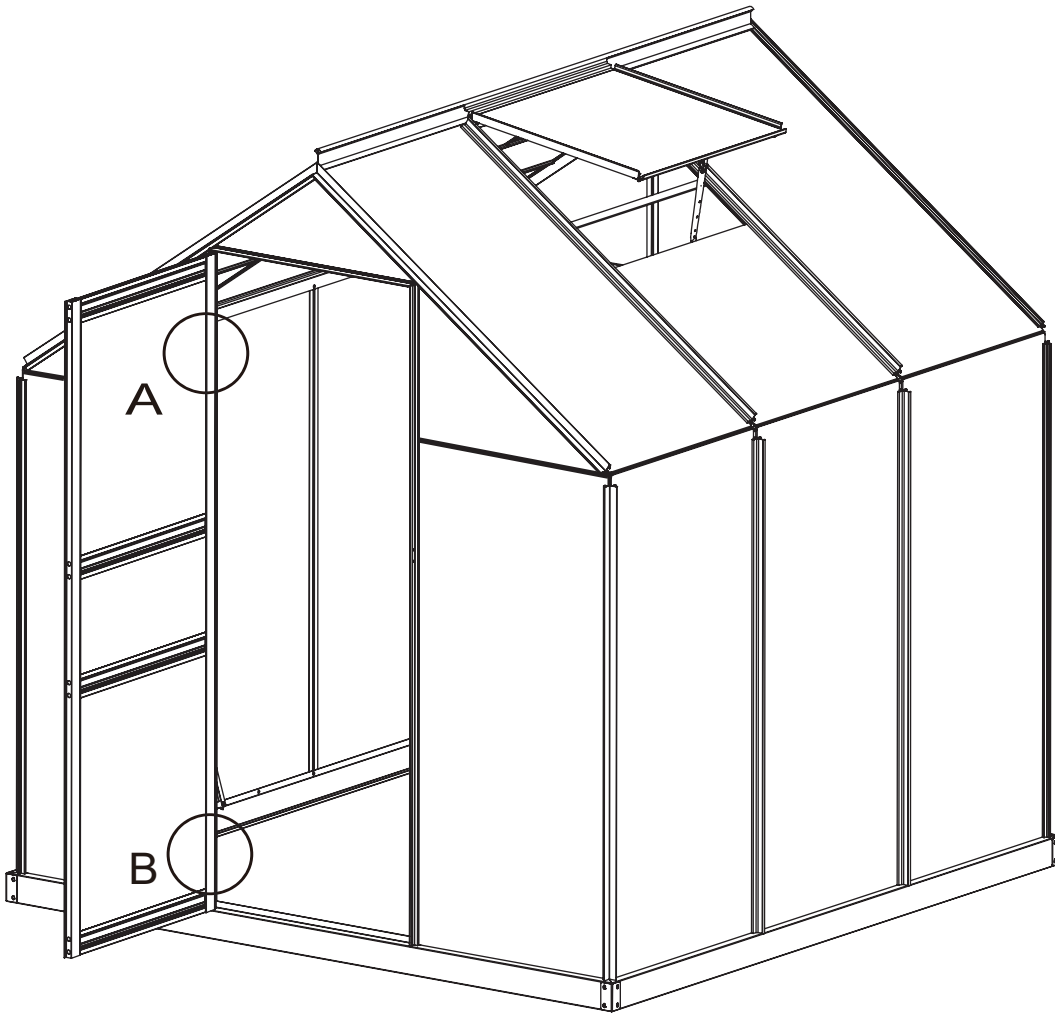


Assemble the frame of sliding door

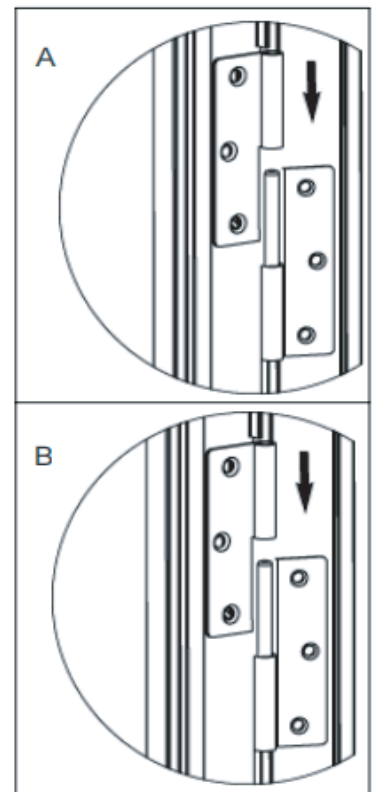
Step 15

Art.Nr.	Qty.	Picture	Dimension(mm)
20	1PC		1615
38	8PC		







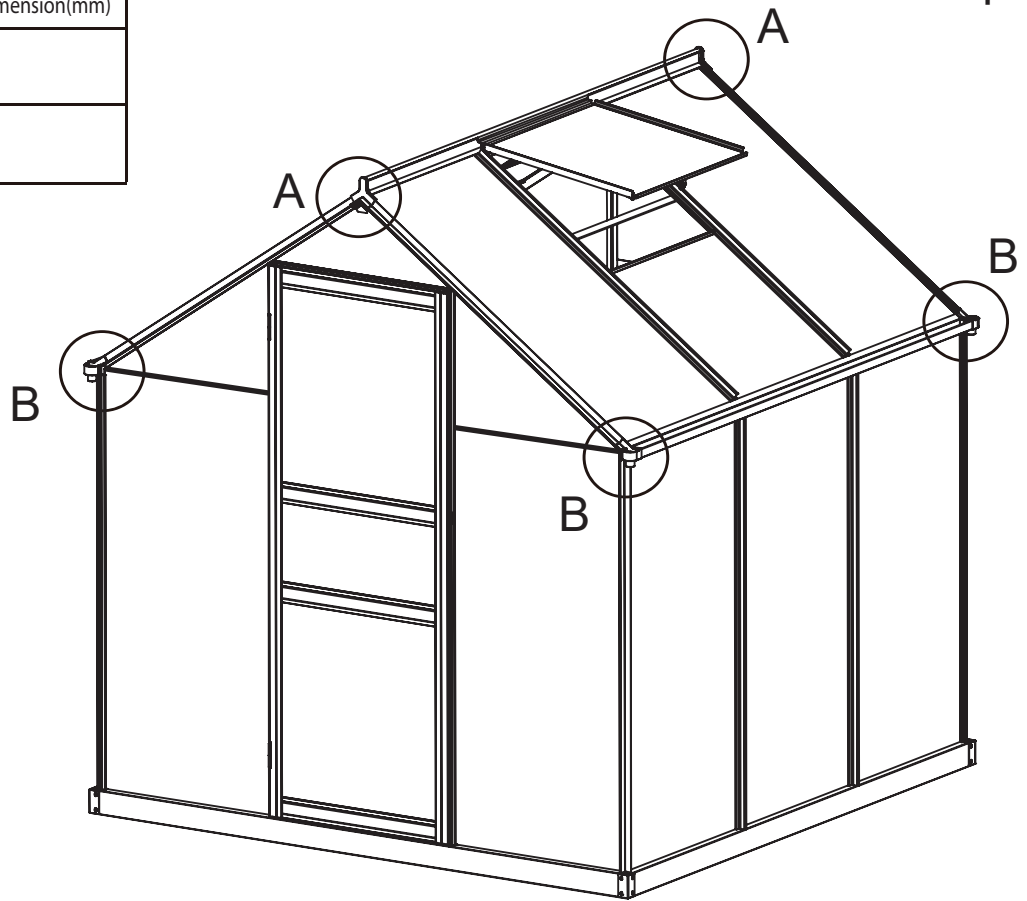
Attaching the sliding door



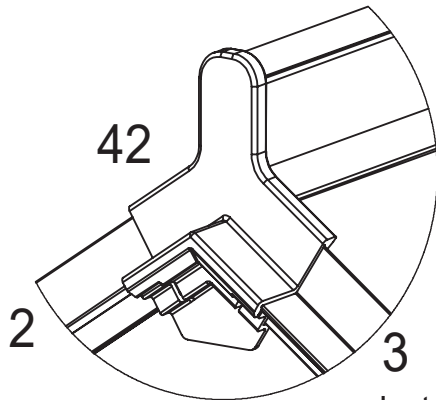
Attaching the panel

Step 16

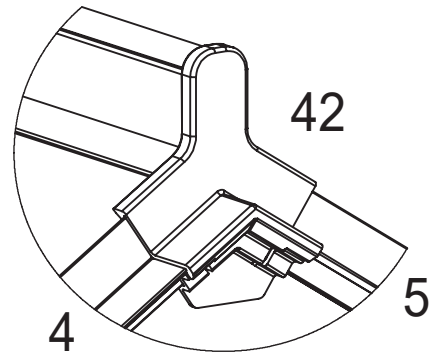
Art.Nr.	Qty.	Picture	Dimension(mm)
41A/41B	4PC		
42	2PC		



A

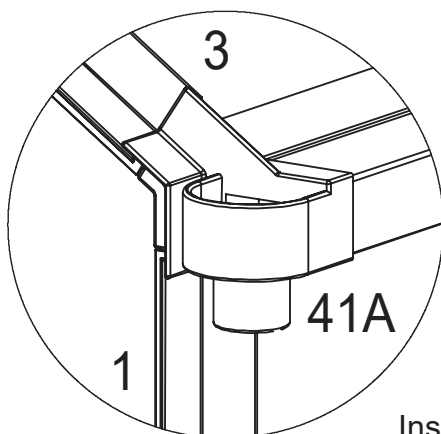


33A/33B

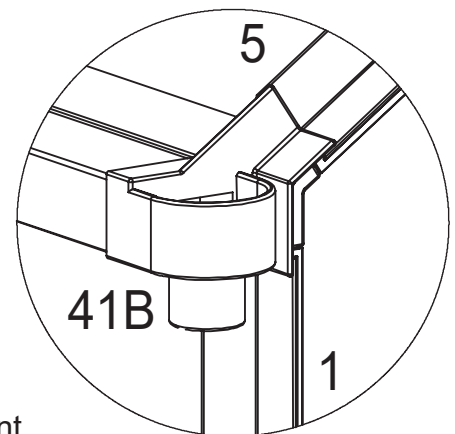


Installation of corner protectors

B



14/14A



Installation of water filter joint

Maintenance :

Do not let plants growing up to the roof to get too close to the roof structures. Too much weight on the roof can damage greenhouse body, especially if it is windy or raining heavily. Clear the leaves from the roof, they can weaken the light transmission of the sheets. Keep the roof of the greenhouse clear of ice and snow. If necessary, place a support post inside the greenhouse in winter to support the roof. In the event of a storm, make sure that the greenhouse is securely fixed into the ground and that the roof hatch and door remain closed. If necessary, fix the greenhouse to nearby trees with a strong rope or wire.

Make sure regularly that the screws on the frame are remained tight. Avoid hitting the wall and polycarbonate panels with sharp objects. If there is a cut or a hole in the panel, you can fix it with glue or transparent tape.

Keep the polycarbonate panels clean so that light can pass through them well. Generally, polycarbonate panels can be replaced every 5-10 years, if you notice their light transmission ability weakens.

You can make a small mark on the polycarbonate panels showing which side is facing out, so that you recognize the UV-protected side in case the panel is needed to put back in its place after a storm.

You can prevent dirt and moisture going inside the channels of the roof panels by taping the top and bottom ends of the panel.

GARVEE

support@garvee.com