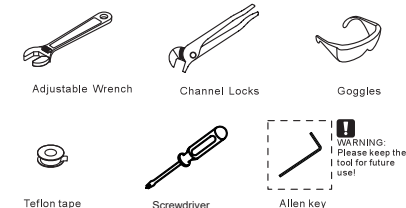


Two Handles Bathroom Faucet

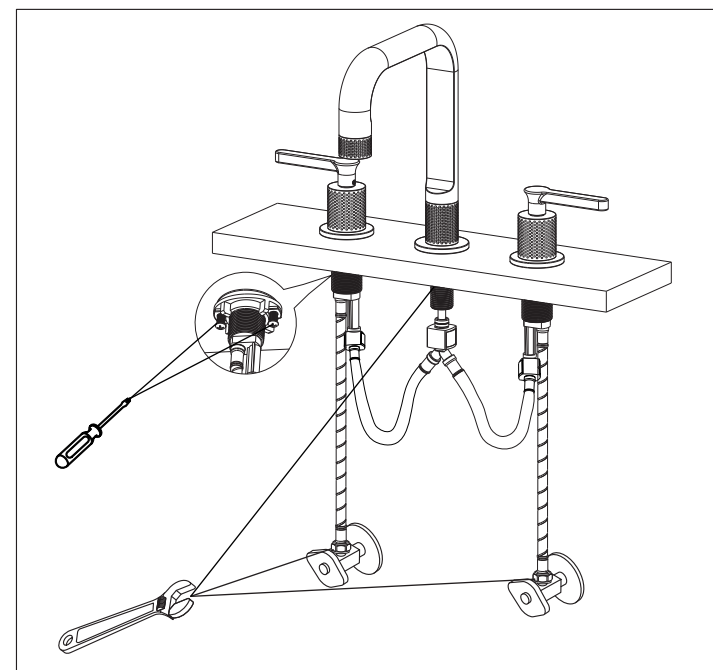
product is cUPC, NSF-61, NSF 372, AB1953, GEC,
WaterSense certified by IAPMO R&T.
ASME A112. 18. 1/GSA B125. 1

RECOMMENDED TOOLS



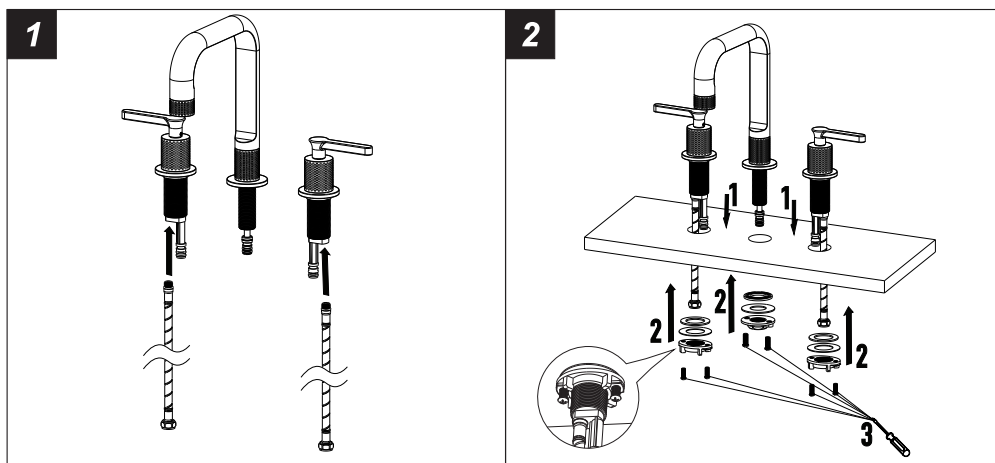
Attention:
for easy installation, you will need:
1.To read all the installation instruction completely before beginning.
2.To read all the warning, attention and maintenance information.
3.To purchase the proper supply lines.

The tools might be applied to the following places:



NO.	Description	NO.	Description
1	Screw	15	Ring
2	Handle	16	Spout
3	Handle Cup	17	Spout Cup
4	Cartridge	18	O-Ring
5	Lower Ring	19	Inlet pipe Assembly
6	O-Ring	20	Lower Ring
7	Spool body	21	Coop
8	Ring	22	Washer
9	Gasket	23	Gasket
10	Lock Nut	24	Nut
11	Screw	25	Supply hose(Hot)
12	O-Ring	26	Supply hose(Cold)
13	Aerator Cover	27	Y-pipe
14	Aerator		

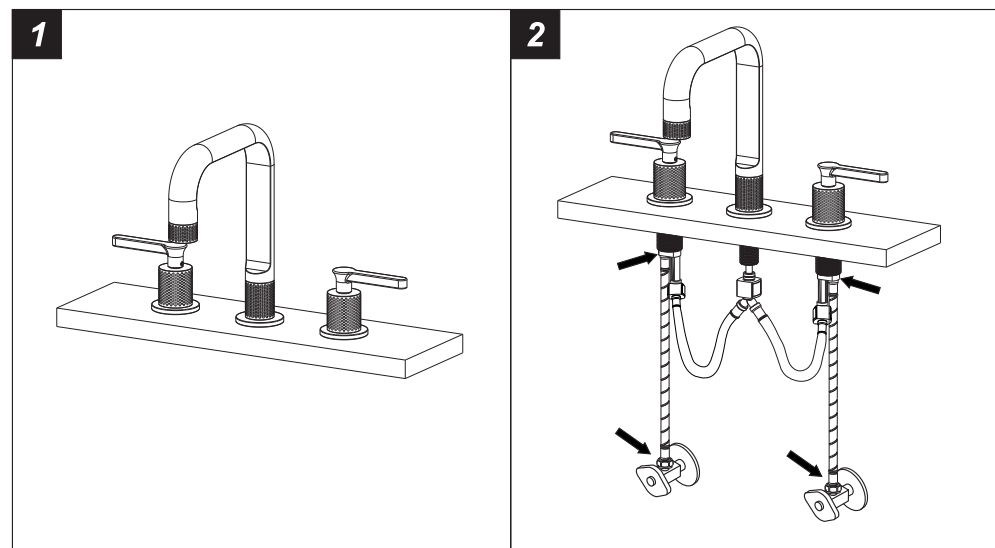
Step 1 Faucet installation



- 1.1 Shut off water supply.
- 1.2 Flush water connection at home to make sure no debris is stuck in the line.
- 1.3 Connect flexible hose to brass pipe for hot and cold handles assemblies.

- 2.1 Place handle and spout assemblies in position on the countertop.
- 2.2 From under the sink, put rubber washer, metal ring and brass nut onto each threaded pin. Tighten nuts.
- 2.3 Use a screwdriver to tighten each screw.

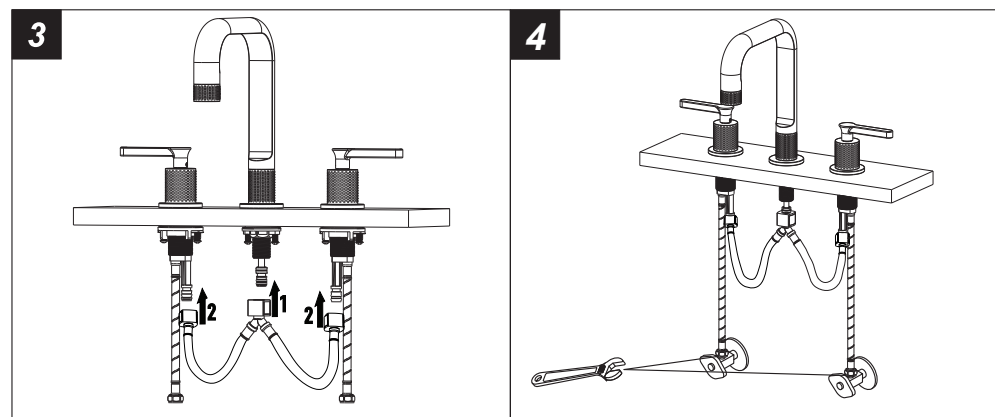
Step 2 Checking and testing



1. Turn the faucet handle all the way on, turn on hot and cold water supply and flush water lines for one minute.
2. Check all connections at arrows for leaks, re-tighten it if necessary.



BUT DON'T OVERTIGHTEN



- 3 Attach ends of quick connection hose to hot and cold assemblies.
4. Connect the flexible hoses to water supply valve (not included) and copper tubes, and tighten it with adjustable wrench. **DON'T OVER TIGHTEN!**

Caution: make sure connect the hot and cold flexible hose to supply valves correctly.



Warning: The supply valves are not included, please purchase them in plumbshop

Step 3 Cleaning and care

Daily cleaning and care are required in order to keep the product shining and properly working.

- 1 Clean it with water and dry it with soft cloth.
- 2 Clean the product with gentle liquid or glass cleaner.
- 3 Don't use acid cleaner.
- 4 Don't clean with abrasive material, abrasive paper or knife.