
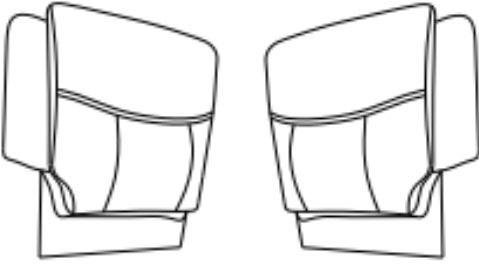



ASSEMBLY INSTRUCTION

DOUBLE GLIDER RECLINING LOVE SEAT WITH CONSOLE & RECEPTACLE

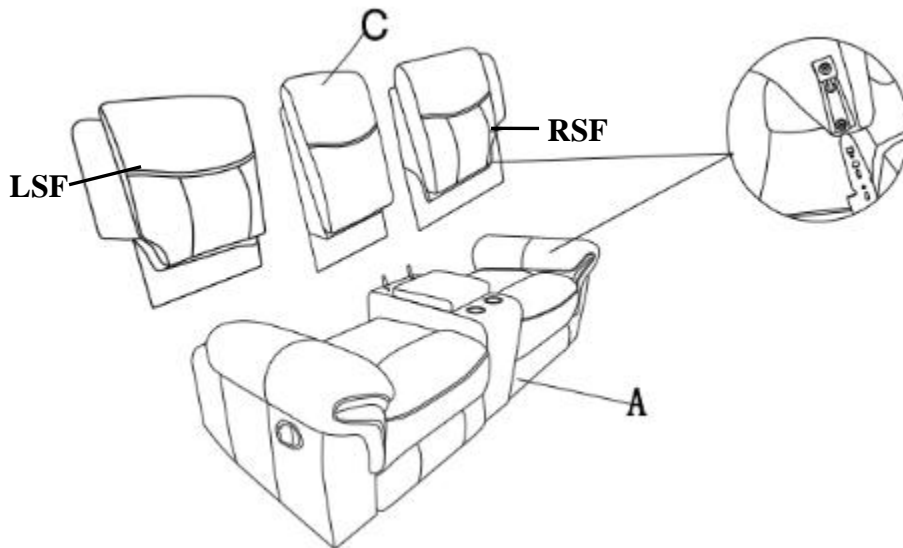
NOTE: Do not use power tools for assembly. Power tools increase the risk of over tightening which leads to splitting or cracking the wood. Console back rest is stored in the bottom of the base. Please take out for assembly.

COMPONENT LIST (LOVE SEAT)

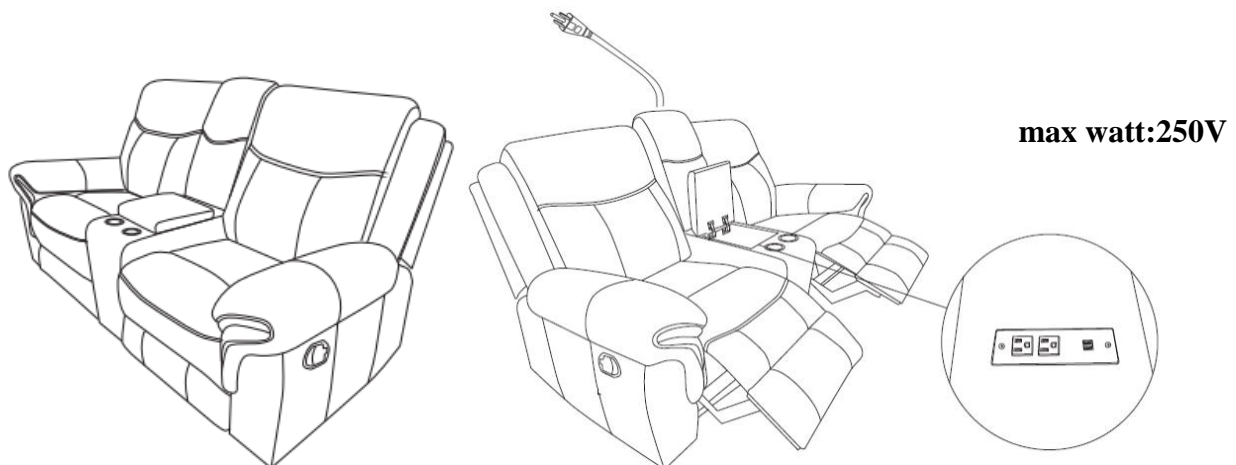
| NO. | DRAWING | QTY | DESCRIPTION |
|-----|---|-----|----------------------|
| A |  | 1 | SEAT |
| B |  LSF RSF | 2 | BACK REST LSF&RSF |
| C |  | 1 | CONSOLE BACK REST |

STEP# 1

Align the female brackets at the back onto the male brackets at the seat, insert back rest to the seat and make sure it is fixed in position securely.



STEP#2 LOVE SEAT Assembly is completed. Outlet for small devices. Enjoy it!



Care Instruction for Polyester Furniture.

In order to maintain the original appearance of your polyester furniture, please follow below simple care procedures:

- Avoid exposing furniture directly to sunlight or heating and air conditioning outlets. Sunlight and/or exposure to heating and air conditioning outlets will fade/damage polyester . Do not place your polyester furniture too close to windows, radiators, or vents.
- Vacuum or wipe with a soft brush to remove dust.
- Clean polyester with professional cleanser.



For items use on wooden floor, hard surfaces or carpets, it is recommended to install protective pads under all legs and supports to avoid/prevent from damages/scratches and discoloration.