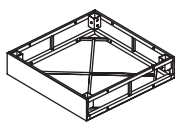


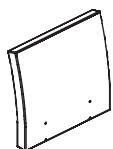
A3x1x1



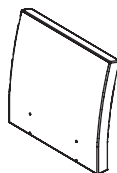
B3x4x1



C3x1x1



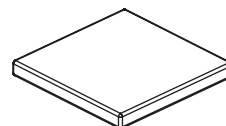
D3x2x1



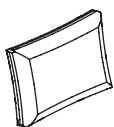
E3x1x1



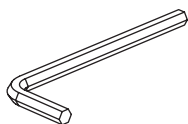
F3x1x1



G3x1x1

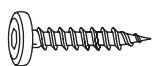


① x2x1



M4

② x12x1



M6x $\frac{20}{0.8}$

③ x12x1



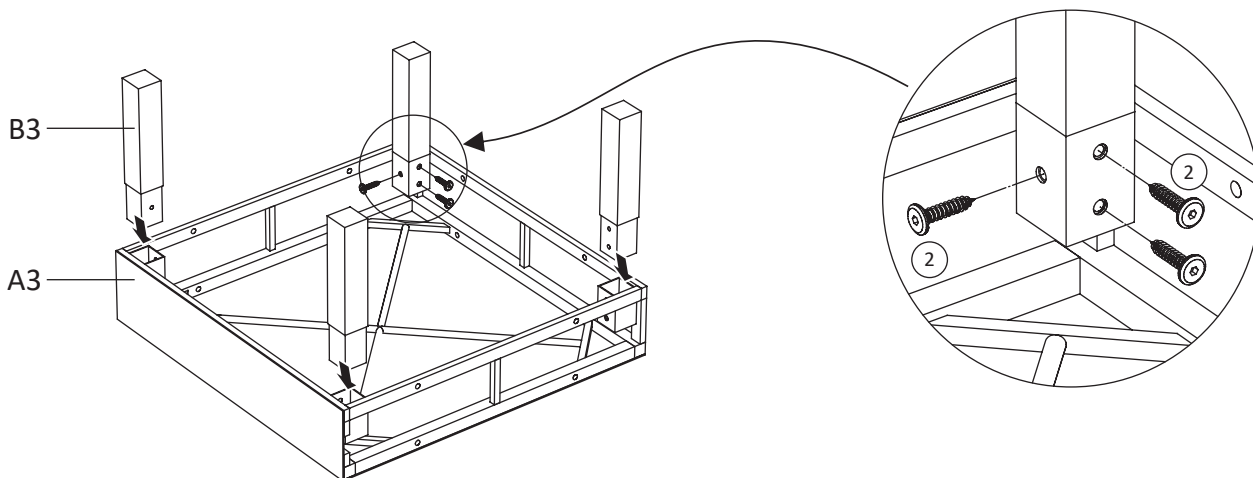
M6x $\frac{35}{1.4}$

④ x12x1

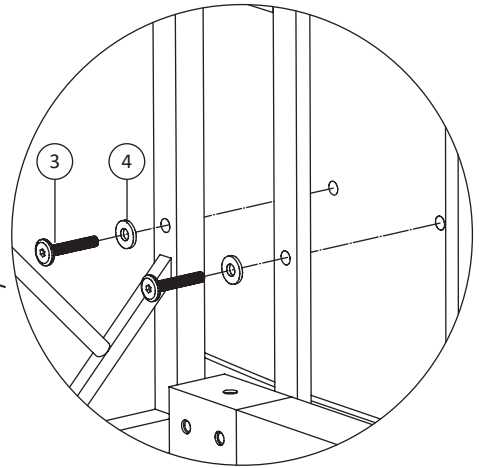
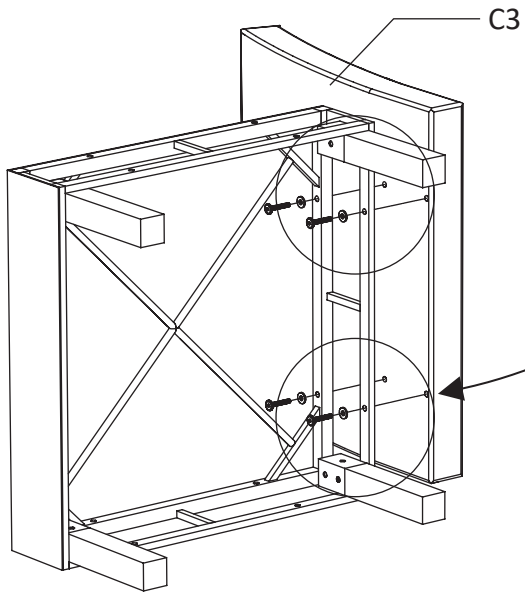


mm
inch
x1

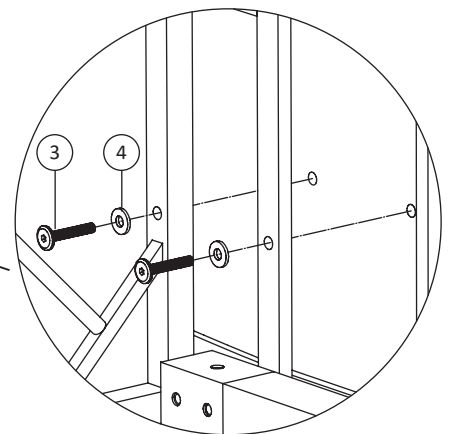
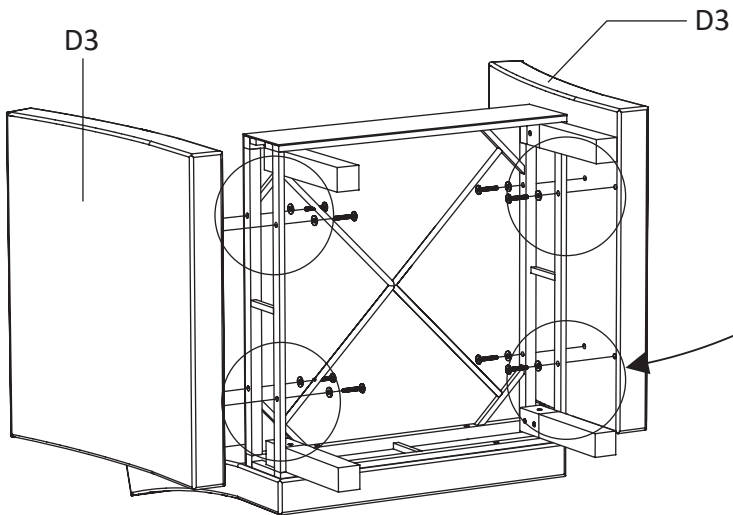
1



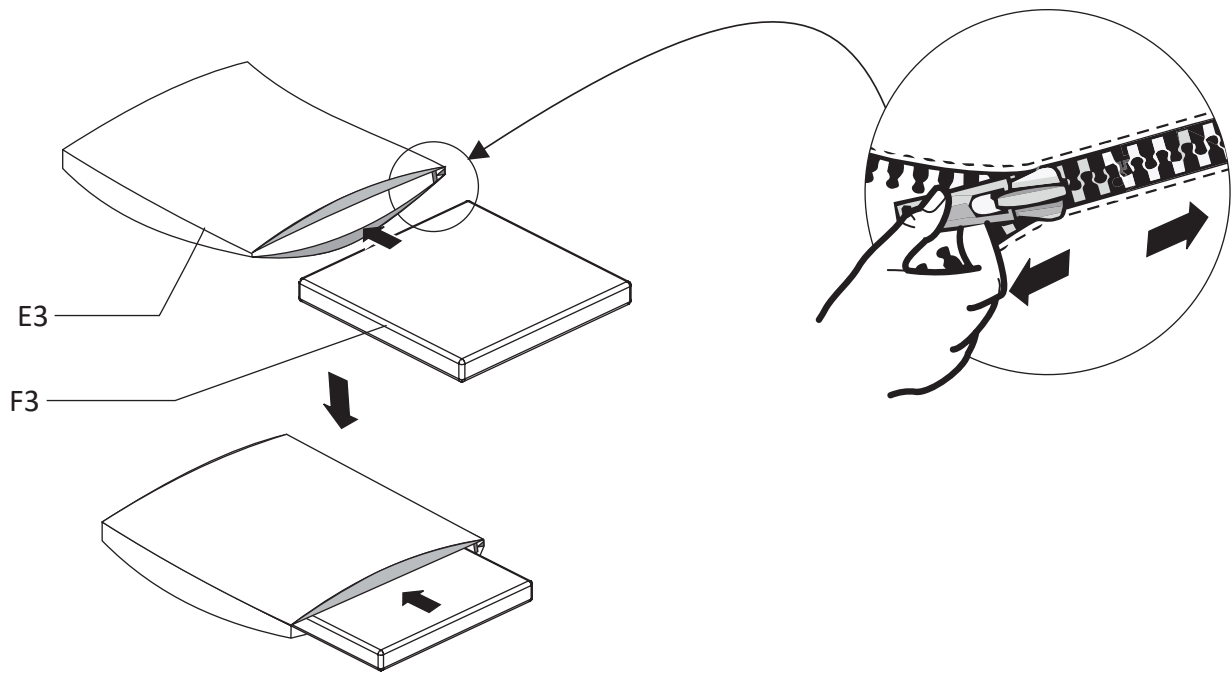
2



3



4



5

