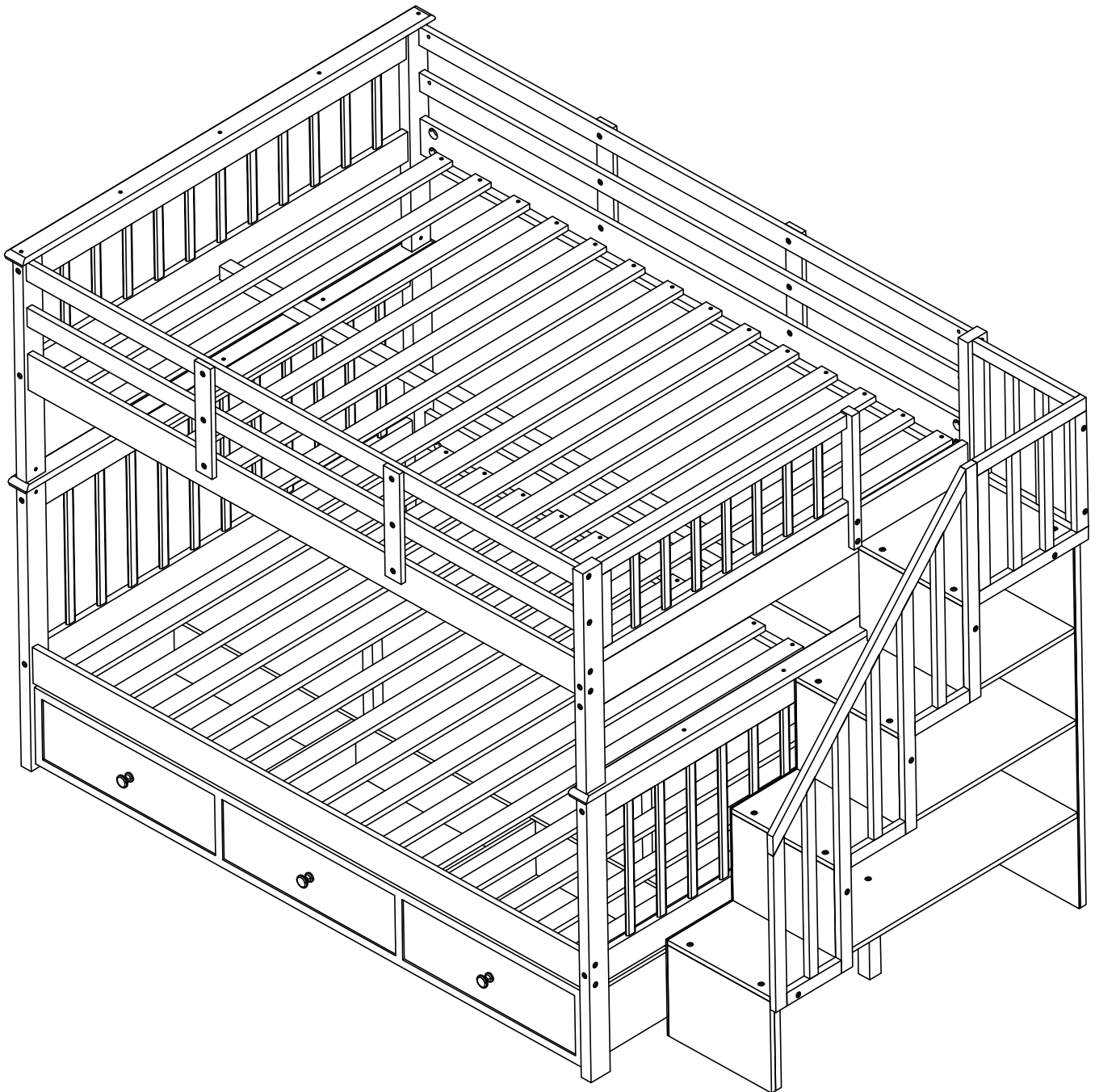


ASSEMBLY INSTRUCTION

This set is included 3 boxes if don't receive full 3 boxes please contact our customer service team



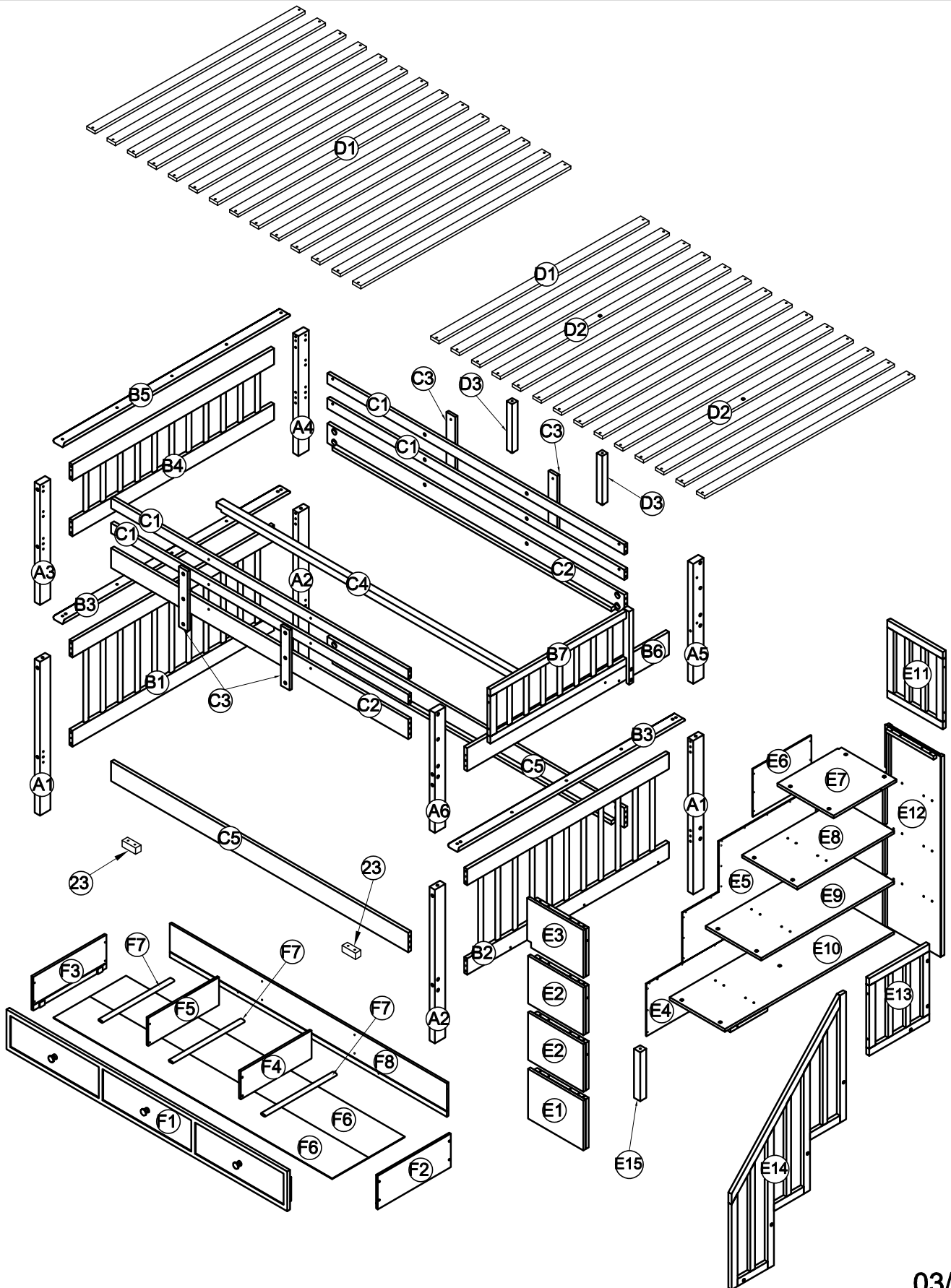
! SAFETY WARNINGS !

1. This bed is designed for use only mattress(es) meeting the following specifications on the upper bunk, and lower bunk:








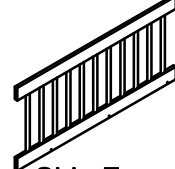
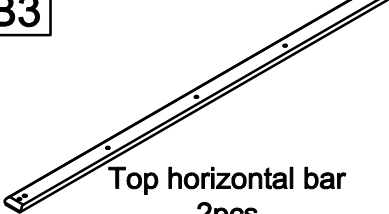
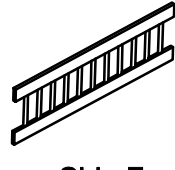
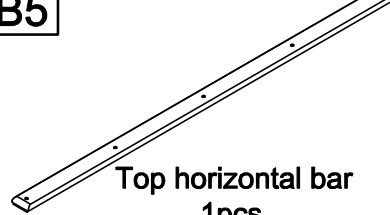
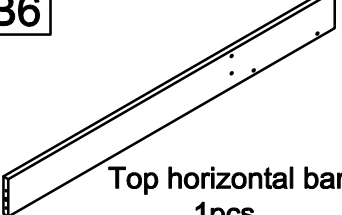


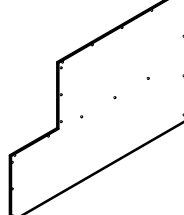
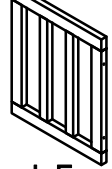
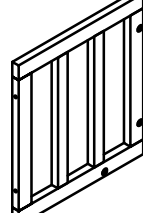

Bed Type	Length	Width	Thickness
<i>Twin Standard</i>	<i>74" - 75"</i>	<i>38 1/2"</i>	<i>8" max</i>
<i>Full Standard</i>	<i>74" - 75"</i>	<i>53 1/2 "</i>	<i>8" max</i>

2. Replacement parts, including additional guardrails, may be obtained from any of our dealers
3. Follow the information on the warnings appearing on the upper bunk bed end structure and on the carton. Do not remove warning label from bed.
4. Always use the recommended size mattresses or mattress supports, or both, to help prevent the likelihood of entrapment or falls.
5. Surface of the mattress must be at least 5" (127 mm) below the upper edge of guardrails.
6. Do not allow children under 6 years of age to use the upper bunk.
7. Periodically check and ensure that the guardrail, ladder, and other components are in their proper position, free from damage, and that all connectors are tight.
8. Do not allow horseplay on or under the bed and prohibit jumping on the bed
9. Always use the ladder for entering and leaving the upper bunk.
10. Do not use substitute parts. Contact the manufacturer or dealer for replacement parts.
11. Use of a night light may provided added safety precaution for a child using the upper bunk.
12. Always use guardrails on both long sides of the upper bunk. If the bunk bed will be placed next to the wall, the guardrail that runs the full length of the bed should be placed against the wall to prevent entrapment between the bed and wall.
13. The use of water or sleep flotation mattresses is prohibited.
14. **STRANGULATION HAZARD** – Never attach or hang items to any part of the bunk bed that are not designed for use with the bed; for example, but not limited to, hook, belts and jump ropes.
15. Keep these instructions for future reference

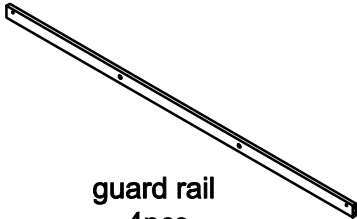
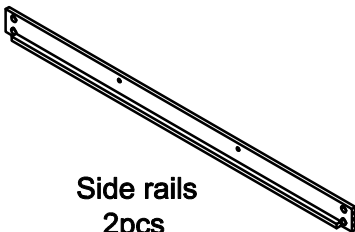

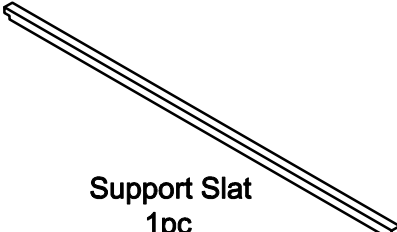
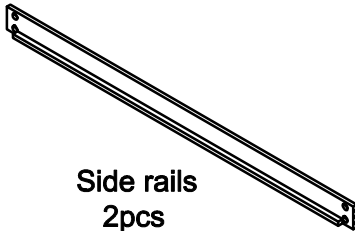
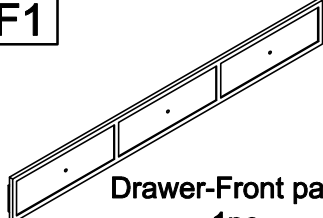
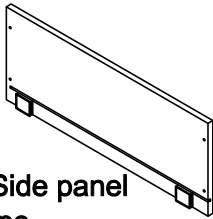
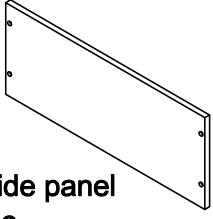
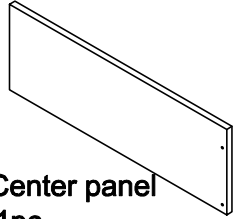
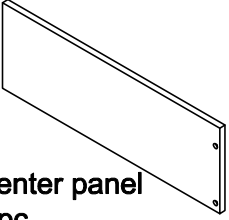
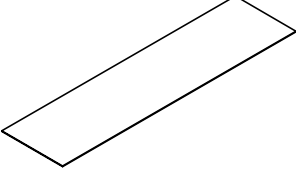
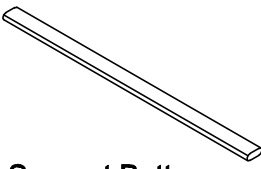
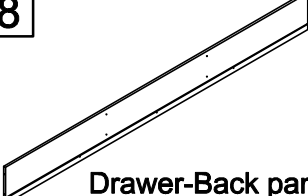
ASSEMBLY INSTRUCTION



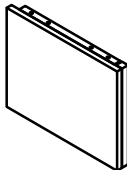
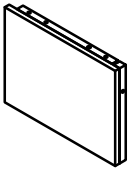
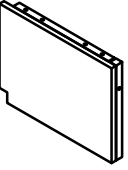
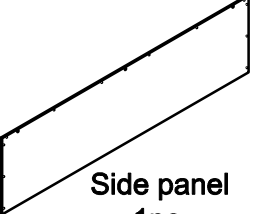
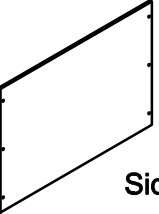
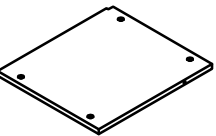
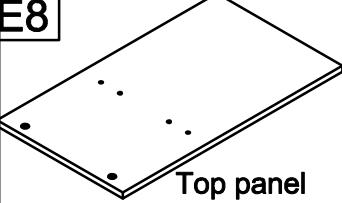
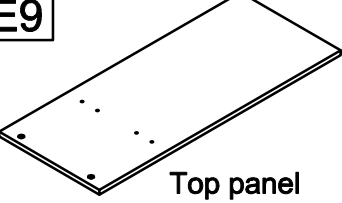
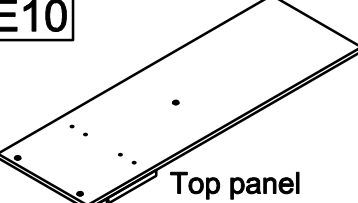


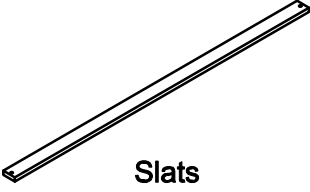
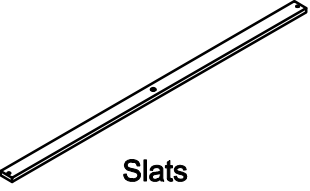
Part List & Hardware List

<p>A1</p>  <p>Bottom legs 2 pcs</p>	<p>A2</p>  <p>Bottom legs 2 pcs</p>	<p>A3</p>  <p>Upper leg 1 pc</p>
<p>A4</p>  <p>Upper leg 1 pc</p>	<p>A5</p>  <p>Upper leg 1 pc</p>	<p>A6</p>  <p>Upper leg 1 pc</p>
<p>B1</p>  <p>Bottom Side Frame(Left) 1 pc</p>	<p>B2</p>  <p>Bottom Side Frame(Right) 1 pc</p>	<p>B3</p>  <p>Top horizontal bar 2pcs</p>
<p>B4</p>  <p>Upper Side Frame(Left) 1 pc</p>	<p>B5</p>  <p>Top horizontal bar 1pcs</p>	<p>B6</p>  <p>Top horizontal bar 1pcs</p>
<p>B7</p>  <p>Upper Side Frame 1pc</p>	<p>D3</p>  <p>Support Slats 2 pcs</p>	<p>E5</p>  <p>Side panel 1pc</p>
<p>E11</p>  <p>Back Frame 1pc</p>	<p>E13</p>  <p>Side Frame 1pc</p>	<p>E14</p>  <p>Side Frame 1pc</p>

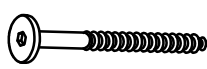
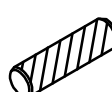

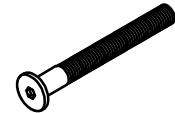

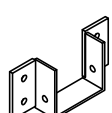





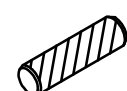
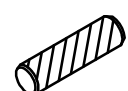

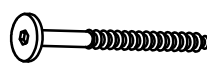

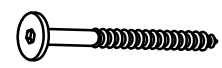
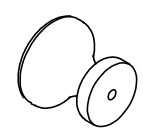

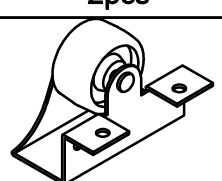
Part List

<p>C1</p>  <p>guard rail 4pcs</p>	<p>C2</p>  <p>Side rails 2pcs</p>	<p>C3</p>  <p>Vertical guard rails 4pcs</p>
<p>C4</p>  <p>Support Slat 1pc</p>	<p>C5</p>  <p>Side rails 2pcs</p>	<p>F1</p>  <p>Drawer-Front panel 1pc</p>
<p>F2</p>  <p>Drawer-Side panel 1pc</p>	<p>F3</p>  <p>Drawer-Side panel 1pc</p>	<p>F4</p>  <p>Drawer-Center panel 1pc</p>
<p>F5</p>  <p>Drawer-Center panel 1pc</p>	<p>F6</p>  <p>Drawer-Bottom panels 2pcs</p>	<p>F7</p>  <p>Drawer-Support Bottom panels 3pcs</p>
<p>F8</p>  <p>Drawer-Back panel 1pc</p>		

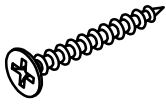
Part List

E1  Front panel 1 pc	E2  Front panels 2pcs	E3  Front panel 1pc
E4  Side panel 1pc	E6  Side panel 1pc	E7  Top panel 1pc
E8  Top panel 1pc	E9  Top panel 1pc	E10  Top panel 1pc
E12  Back Frame 1pc	E15  Support Bar 1pc	D1  Slats 26 pcs
D2  Slats 2 pcs		

Hardware List

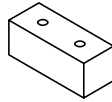
<p>1</p>  <p>Screws 1/4" x100 16pcs</p>	<p>2</p>  <p>Ø10 x 40 mm Wood dowel 42pcs</p>	<p>3</p>  <p>M4 x 30 mm Wood Screws 94pcs</p>
<p>4</p>  <p>Ø1/4" x 80 mm Hex-Head bolts 24pcs</p>	<p>6</p>  <p>Allen Key 1pc</p>	<p>7</p>  <p>Steel Bracket 2pc</p>
<p>8</p>  <p>M4 x 20 mm Wood Screws 8pcs</p>	<p>9</p>  <p>Ø1/4" x 25 mm Hex-Head bolts 39pcs</p>	<p>10</p>  <p>Ø1/4" x 15 mm Canopy head though- 14pcs</p>
<p>11</p>  <p>Ø1/4" x 50 mm Hex-Head bolts 2pcs</p>	<p>12</p>  <p>Ø1/4" x 13 mm Horizontal-Hole bolts 24pcs</p>	<p>13</p>  <p>Ø12 x 110 mm Wood dowel 4pcs</p>
<p>14</p>  <p>Ø8 x 25 mm Wood dowel 22pcs</p>	<p>15</p>  <p>M6 x 15 mm Wood Screws 38pcs</p>	<p>16</p>  <p>Screws 1/4" x60 4pcs</p>
<p>17</p>  <p>Ø1/4" x 35 mm Hex-Head bolts 10pcs</p>	<p>18</p>  <p>Screws 1/4" x50 2pcs</p>	<p>19</p>  <p>Wood Handle 3pcs</p>
<p>20</p>  <p>Ø1/6" x 25 mm 3pcs</p>	<p>21</p>  <p>Wheels 4pcs</p>	

22

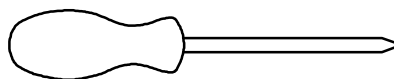


M3.5 x 12 mm
Wood Screws 12pcs

23



Stop Trundles - 2pcs

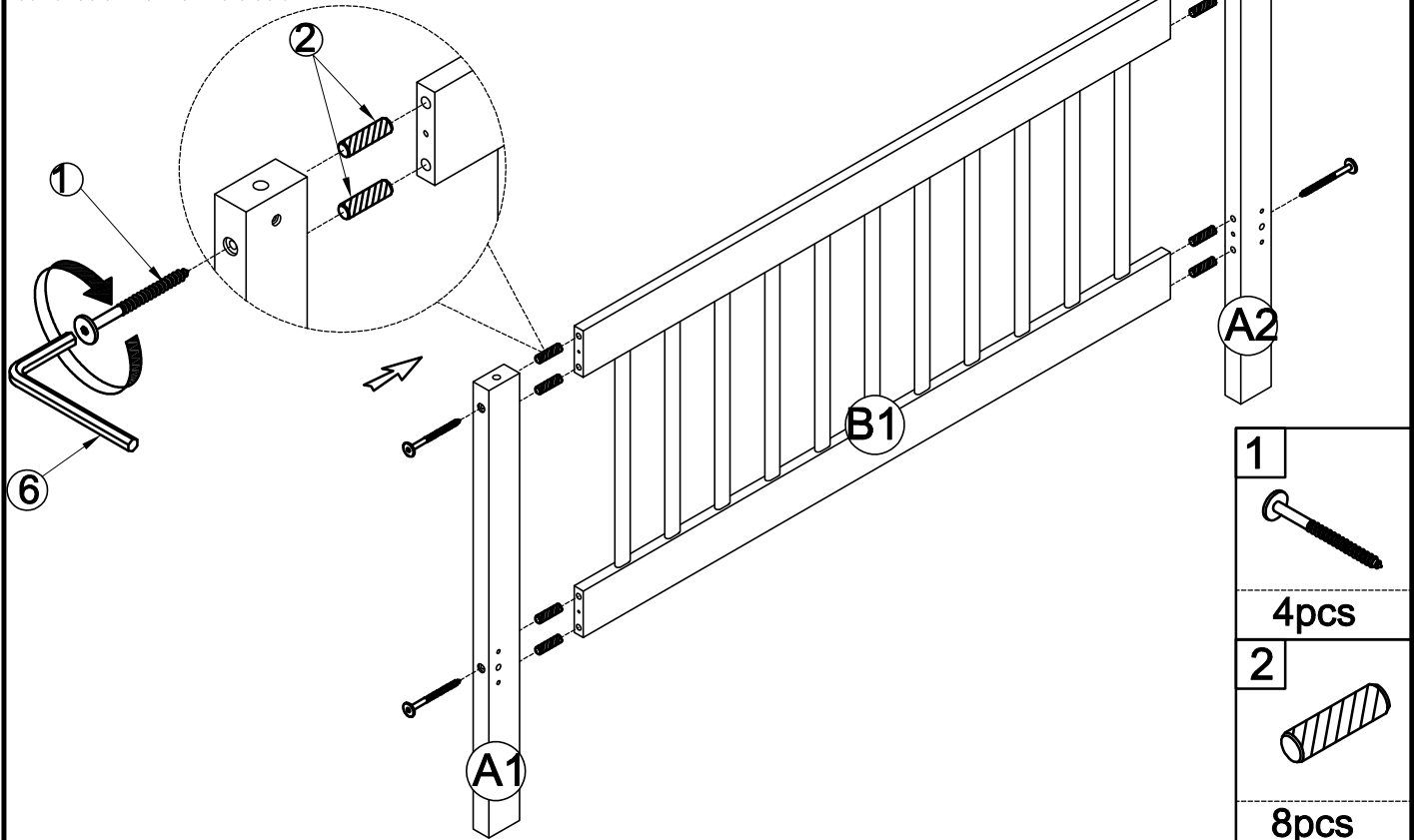


Assembly Tools Required (Not Included)

STEP 1: Following below illustration Assembly Bottom bed's Headboard.

Using hardware #1 and dowel #2 connect A1 and A2 legs with B1 Frame.

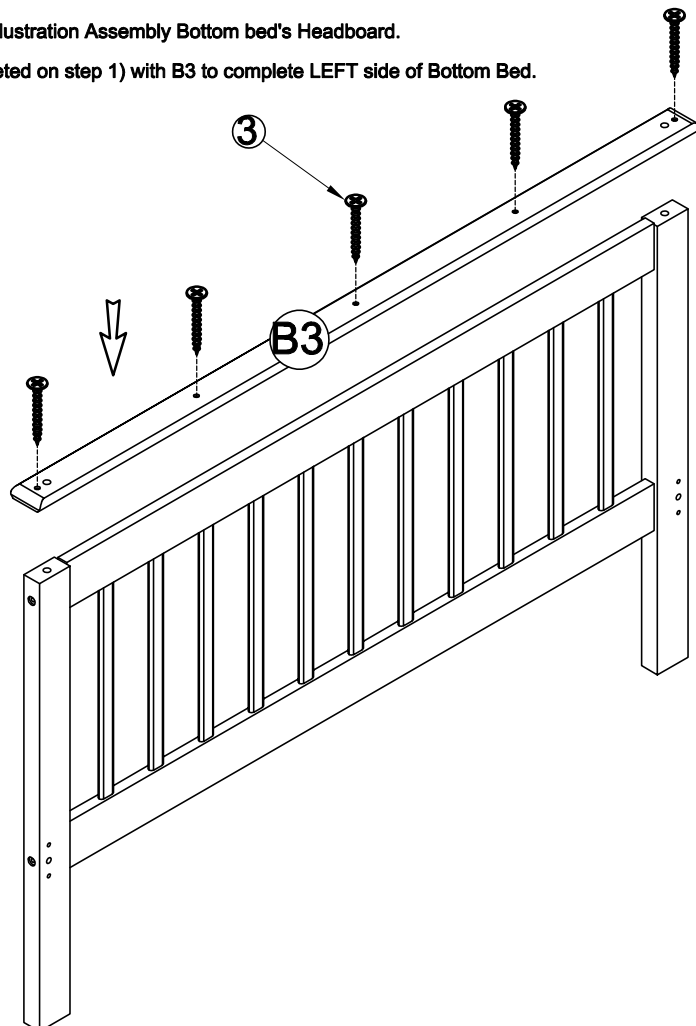
Look at detail view for more detail



STEP 2: Following below illustration Assembly Bottom bed's Headboard.

Using hardware #3 connect Frame(completed on step 1) with B3 to complete LEFT side of Bottom Bed.

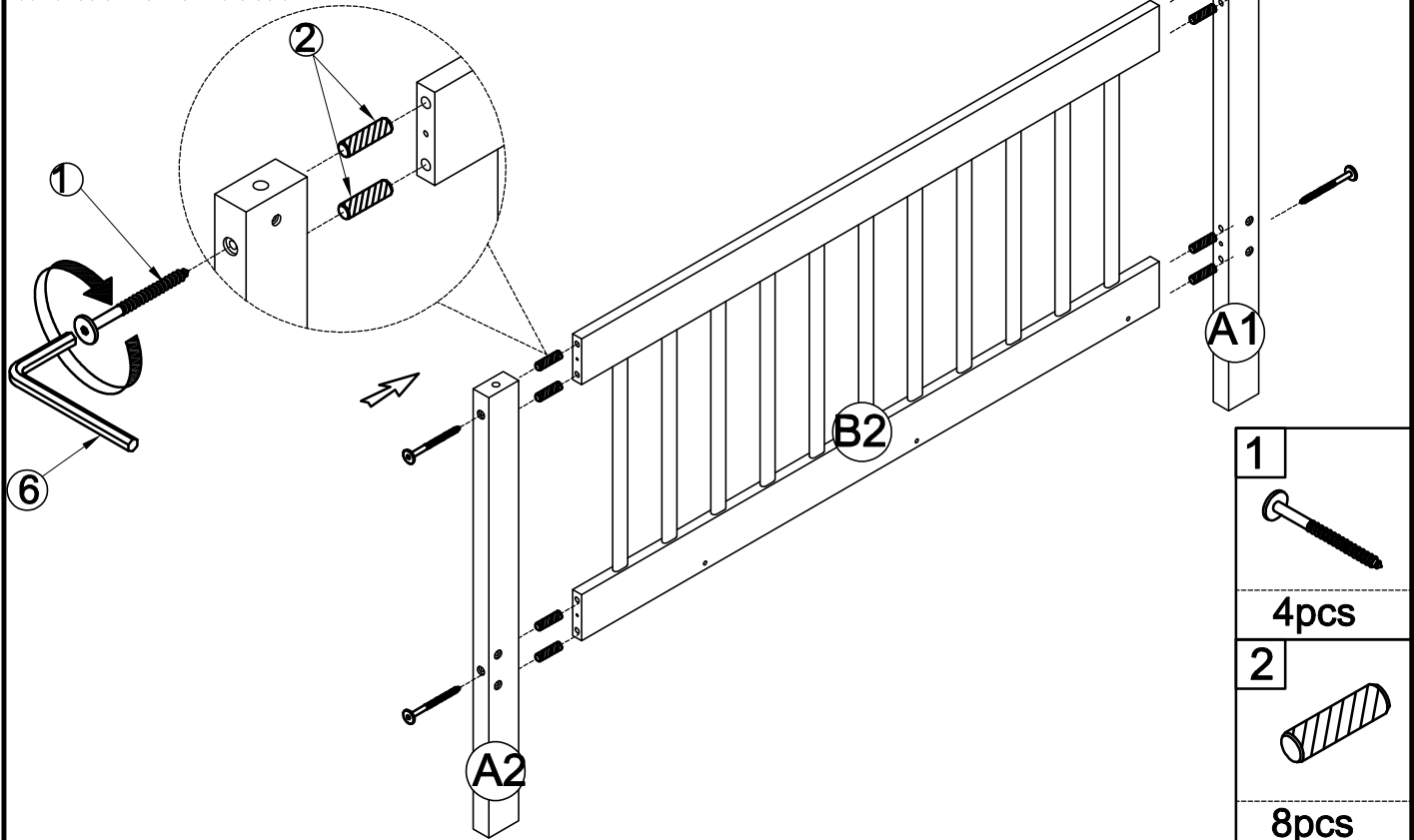
Look at detail view for more detail



STEP 3: Following below illustration Assembly Bottom bed's Footboard.

Using hardware #1 and dowel #2 connect A1 and A2 legs with B2 Frame.

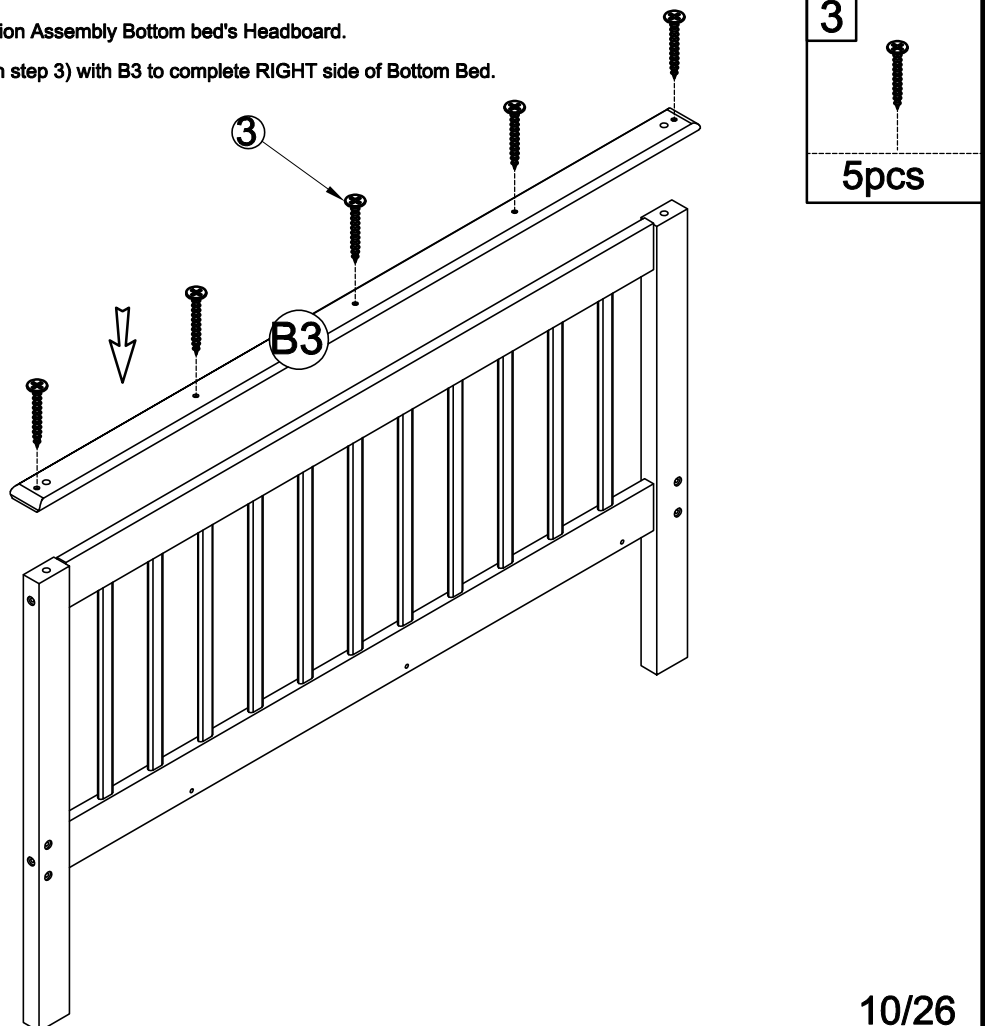
Look at detail view for more detail



STEP 4: Following below illustration Assembly Bottom bed's Headboard.


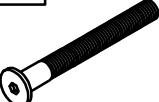

Using hardware #3 connect Frame(completed on step 3) with B3 to complete RIGHT side of Bottom Bed.

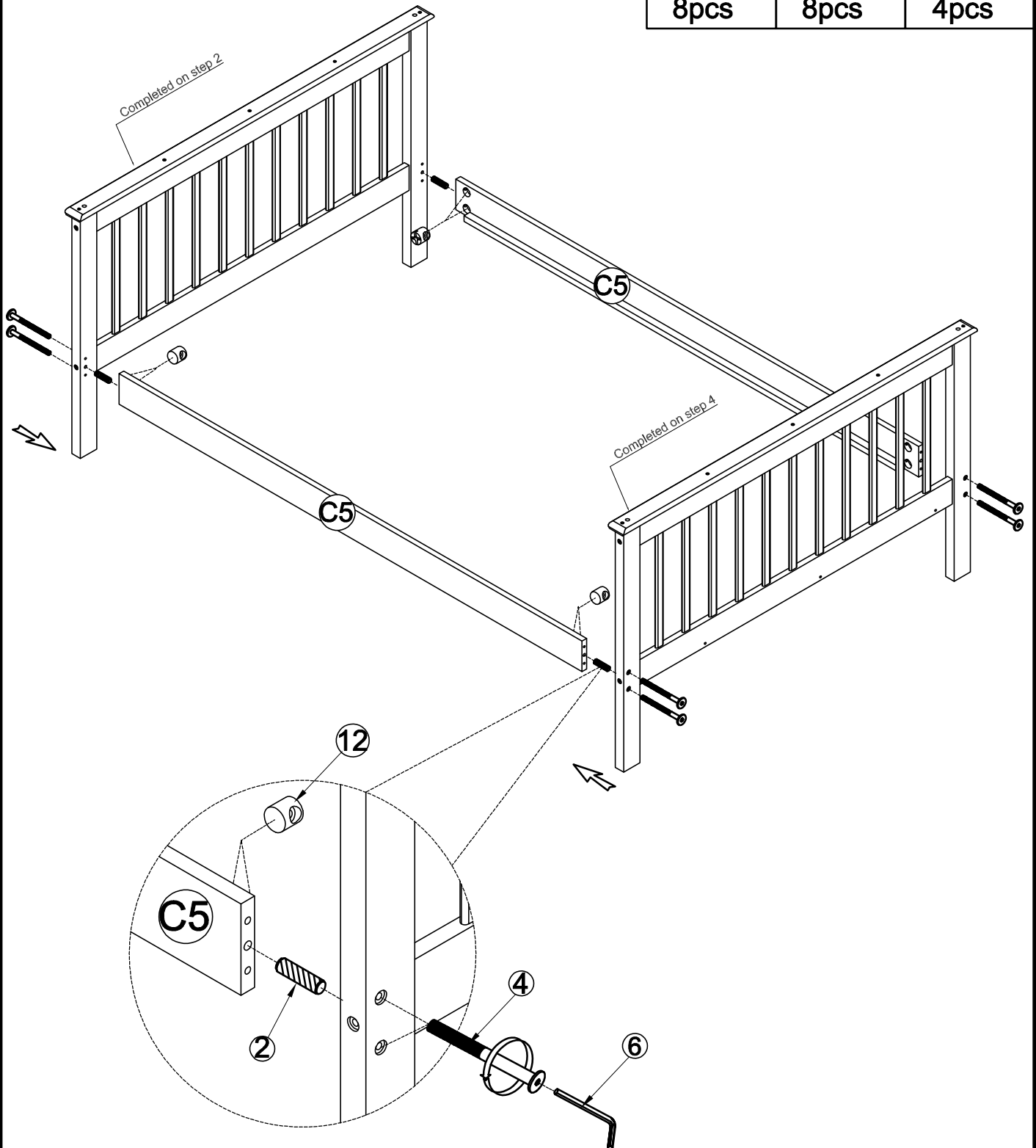
Look at detail view for more detail



STEP 5: Following below illustration Using hardware #4,#12 and dowel #2

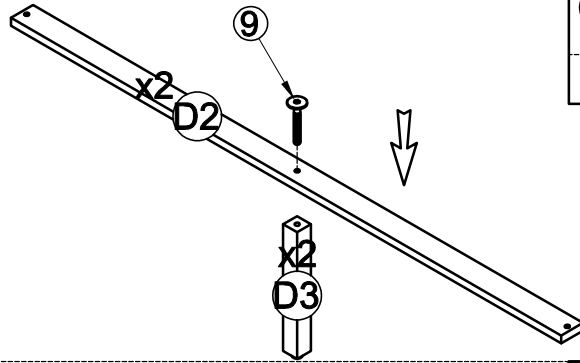
follow detail view to Assembly Bottom bed's Headboard(Completed on step 2) and Footboard(Completed on step 4) with siderail C5(x2).Look at detail view for more detail

12	4	2
		
8pcs	8pcs	4pcs

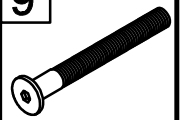


STEP 6-1: Following below illustration:

Connect 2 slats D2 with 2 Leg(center) D3 by using hardward #9.



9



2pcs

STEP 6-2: Following below illustration:

-Screw 12 slats D1 and 2 slats D2(Completed on step 6-1) with Side Rail C5 by using hardward #3.

-Screw 2 Stop drawer on Siderail using hardward #3

-Look at detail view for more detail

3

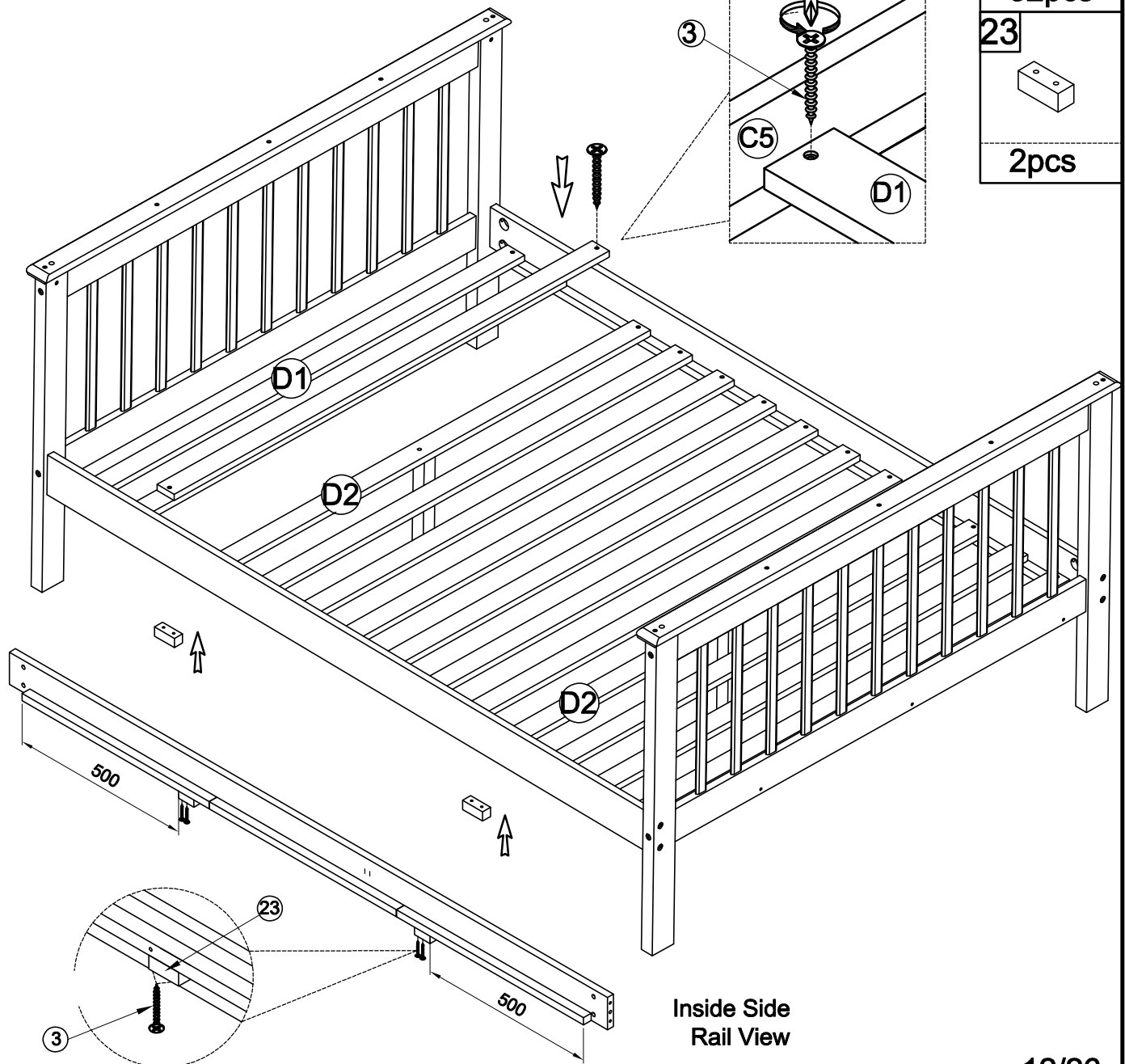


32pcs

23

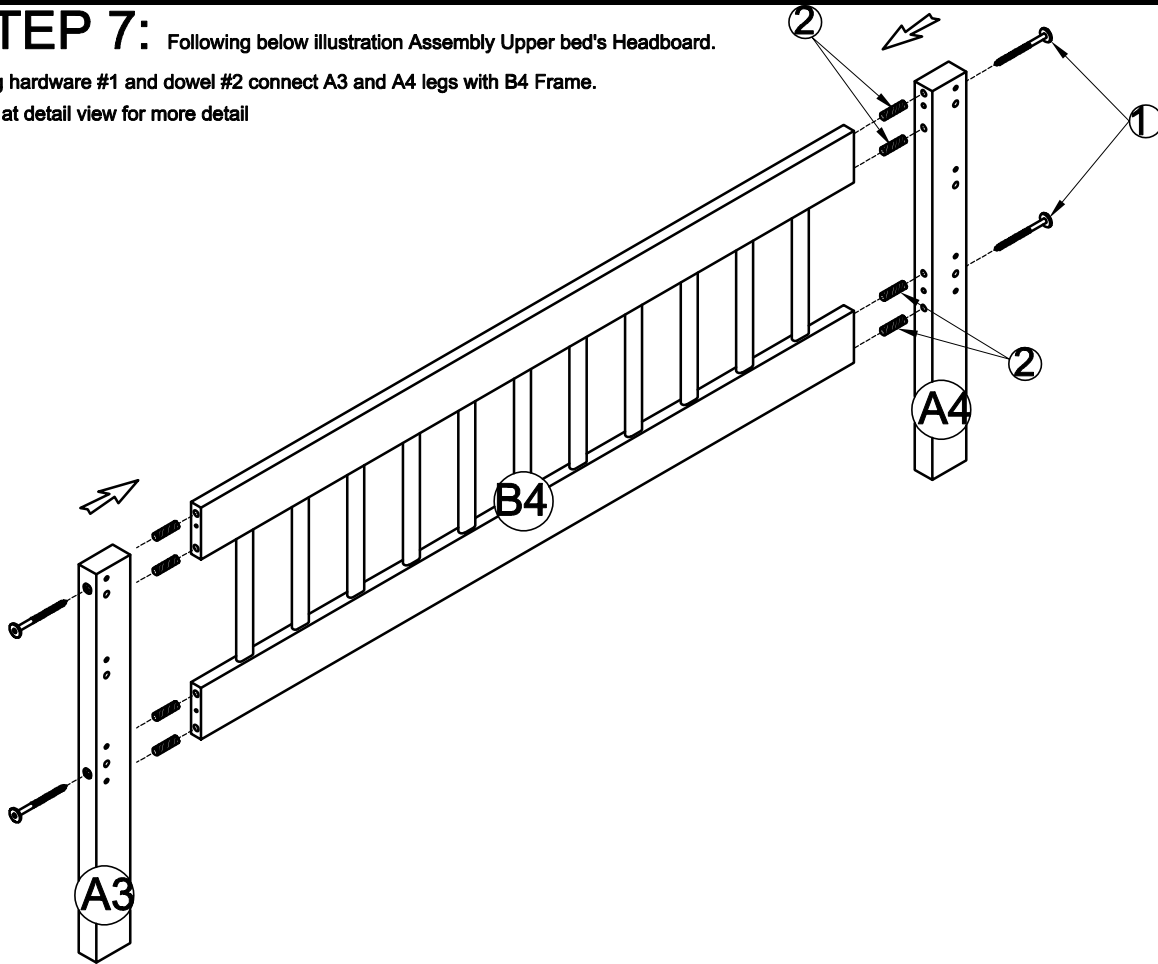


2pcs



STEP 7: Following below illustration Assembly Upper bed's Headboard.

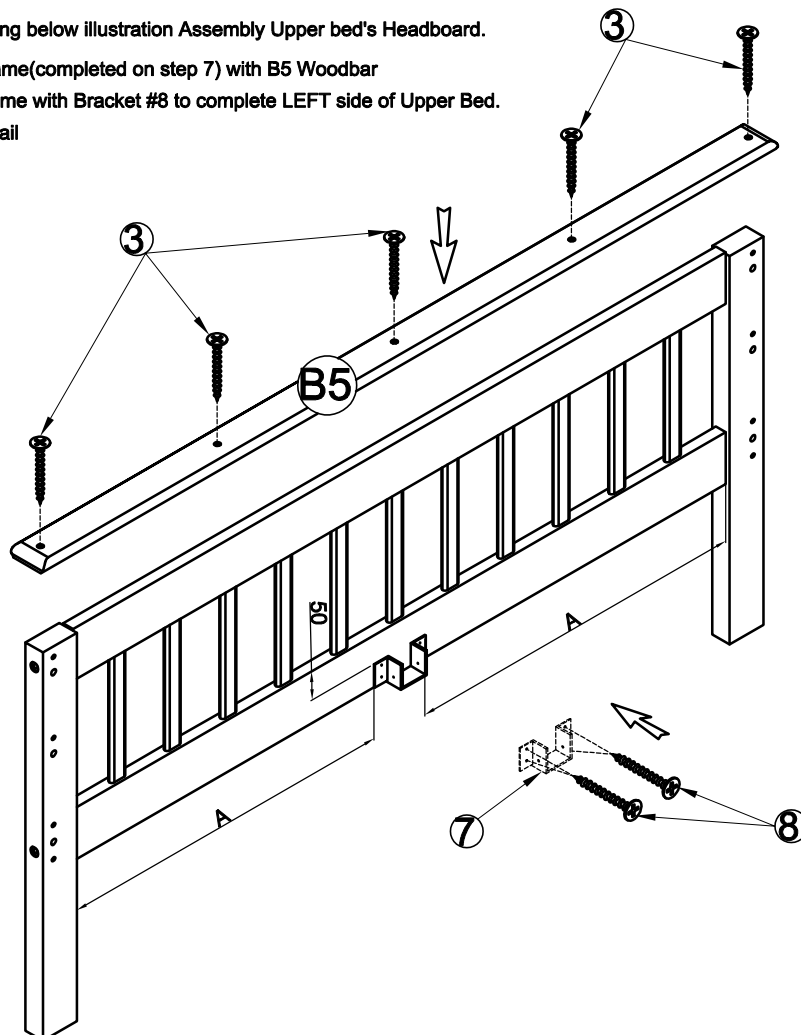
Using hardware #1 and dowel #2 connect A3 and A4 legs with B4 Frame.
Look at detail view for more detail



1	
	4pcs
2	
	8pcs

STEP 8: Following below illustration Assembly Upper bed's Headboard.

Using hardware #3 connect Frame(completed on step 7) with B5 Woodbar
Using hardware #7 connect Frame with Bracket #8 to complete LEFT side of Upper Bed.
Look at detail view for more detail



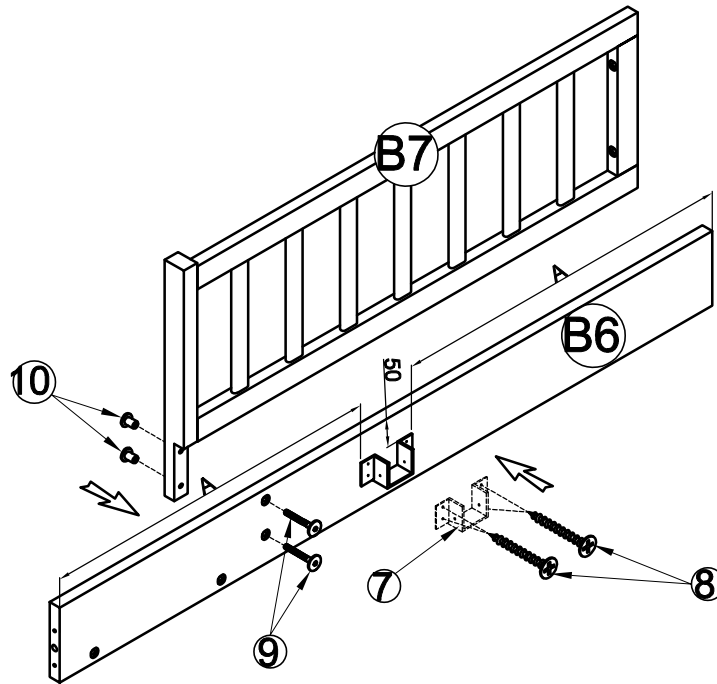
3	
	5pcs
8	
	4pcs
7	
	1pcs

STEP 9: Following below illustration Assembly Upper bed's Footboard.

Using hardware #9,#10 connect B7 Frame with B6 Woodbar

Using hardware #7 connect Frame with Bracket #8.

Look at detail view for more detail

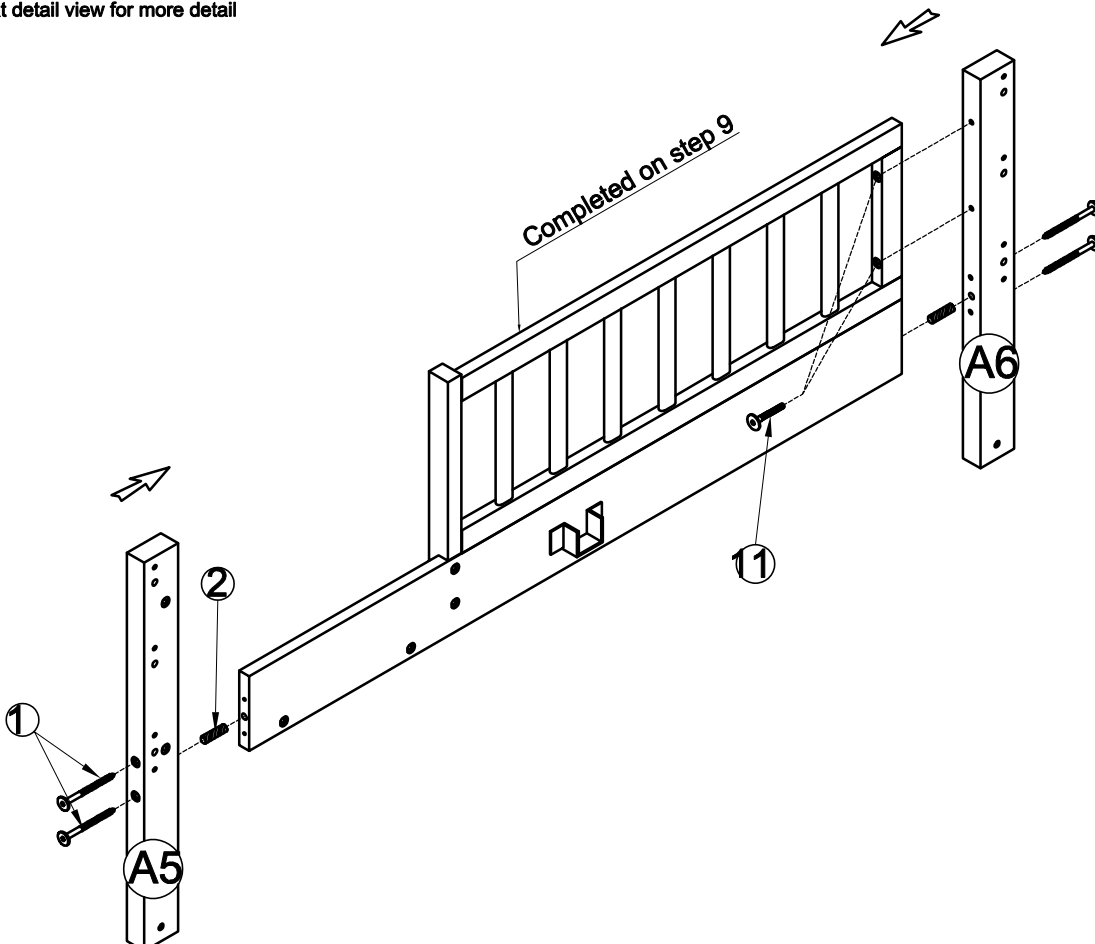


9		8	
	2pcs		4pcs
10		7	
	2pcs		1pcs

STEP 10: Following below illustration Assembly Upper bed's Footboard.

Using hardware #1,#11 and dowel #2 connect Frame(completed on step 9) with Legs A5,A6

Look at detail view for more detail





1	
	4pcs
2	
	2pcs
11	
	2pcs

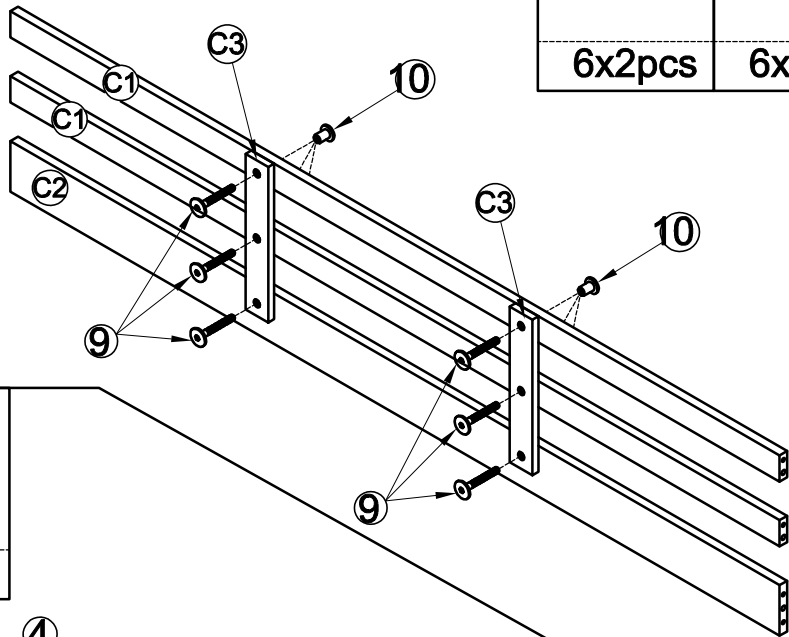
STEP 11: Following below illustration Assembly Upper bed's Footboard.


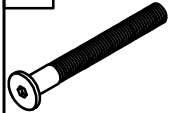

Using hardware #9,#10 connect B7 Frame with B6 Woodbar

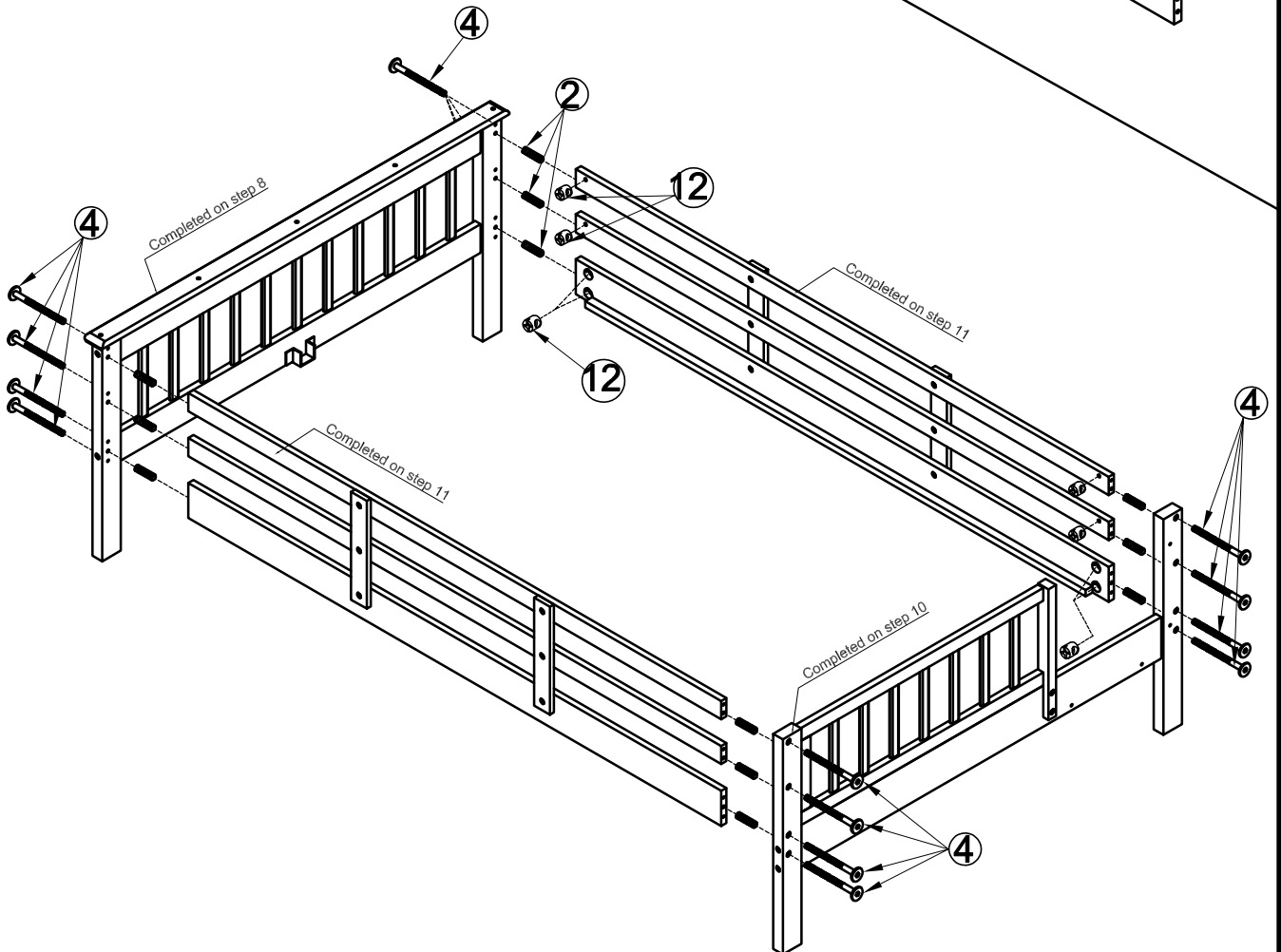
Using hardware #7 connect Frame with Bracket #8.

Look at detail view for more detail

10	9
	
6x2pcs	6x2pcs



12	4	2
		
16pcs	16pcs	12pcs



STEP 12: Following below illustration Using hardware #4,#12 and dowel #2

follow detail view to Assembly Upper bed's Headboard(Completed on step 8) and

Footboard(Completed on step 10) with Frame (Completed on step 11).

Look at detail view for more detail

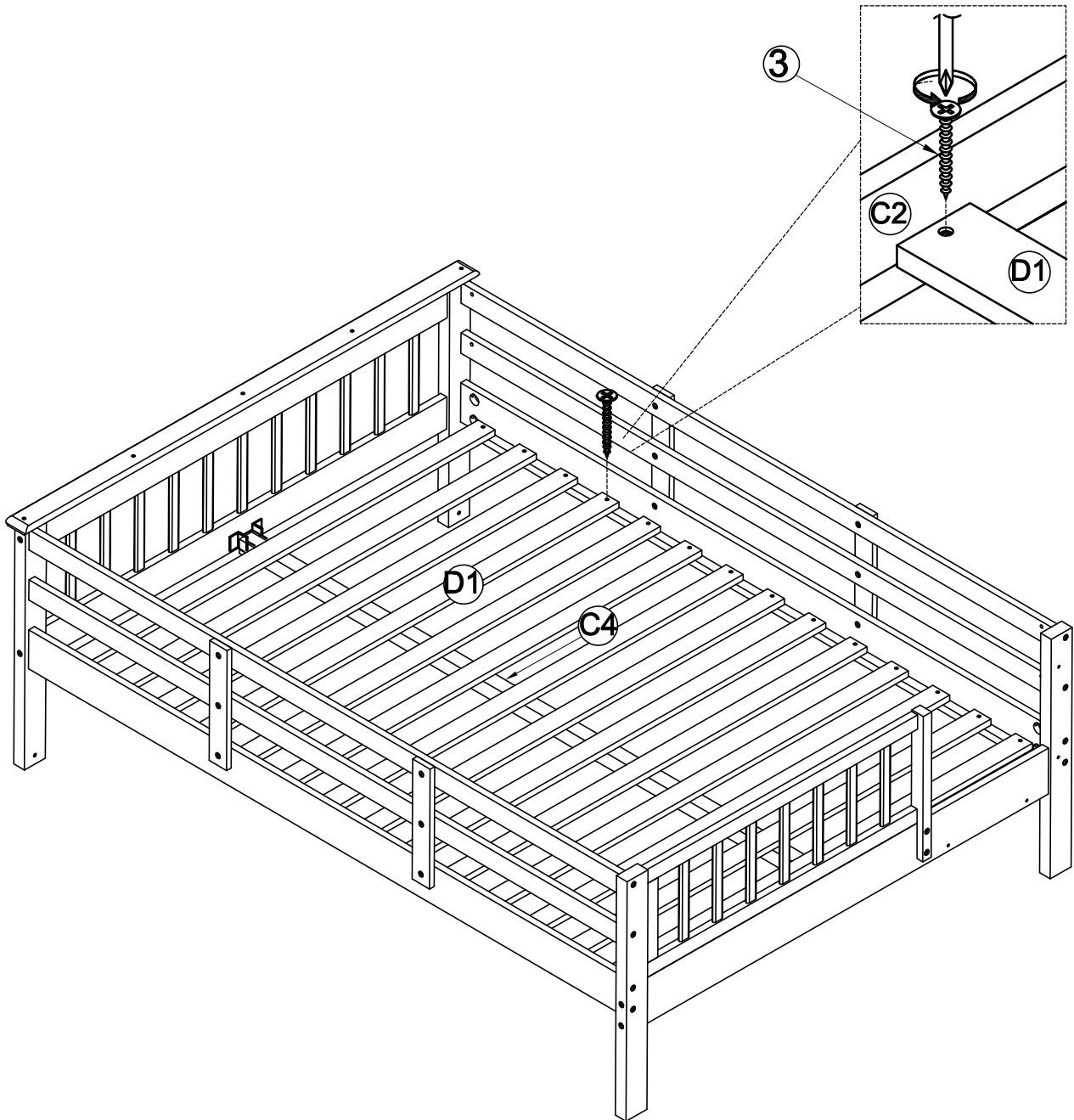
STEP 13: Following below illustration:

- Put Support Slat C4(x1) on position
- Screw 14 slats D1 and with Side Rail C2 by using hardward #3.
- Look at detail view for more detail

3

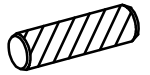


28pcs

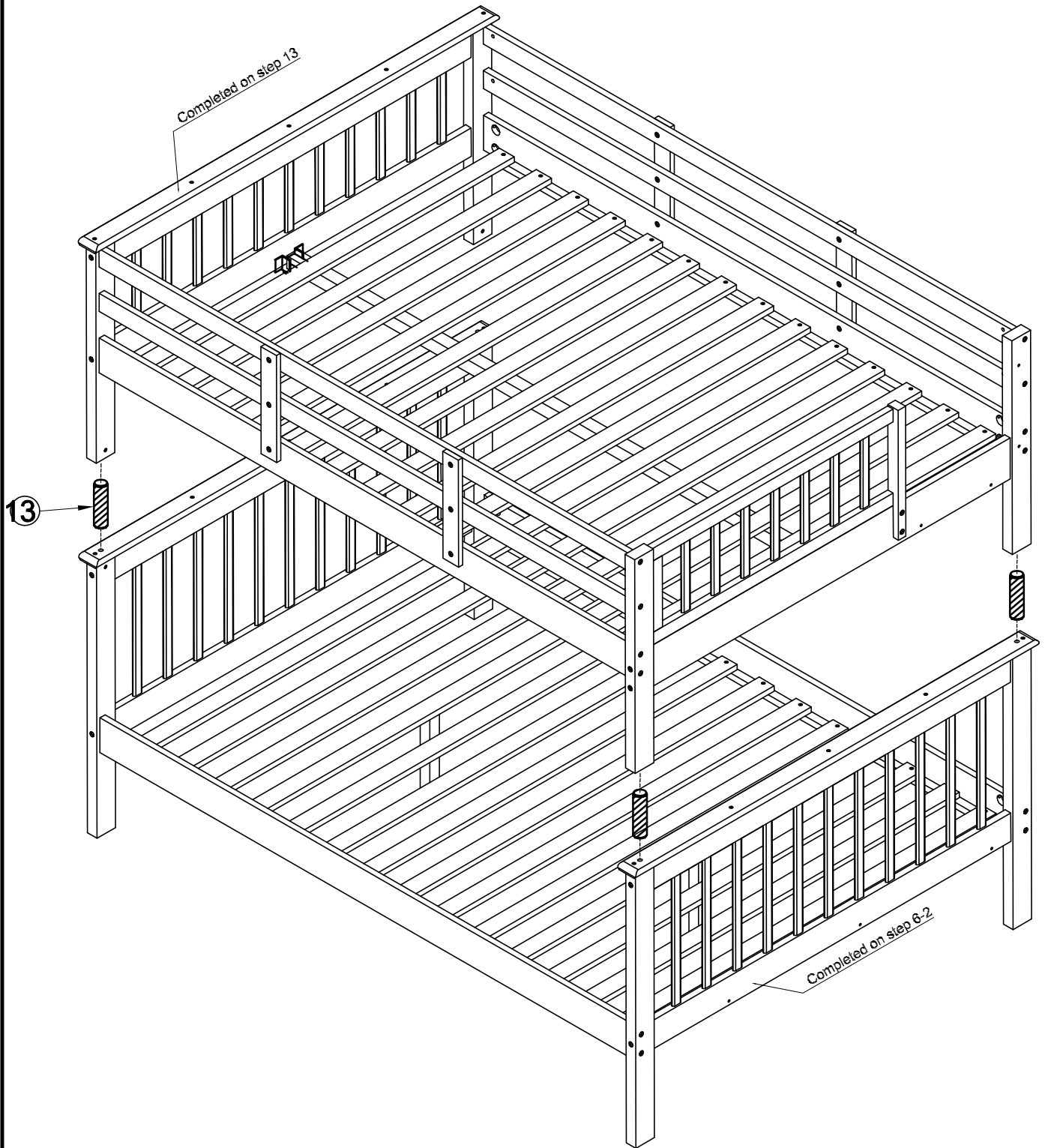


STEP 14: Following below illustration. Lay the Upper Bed (Completed on step 13)
on Bottom Bed (Completed on step 6-2). Using the Dowel #13 to connect head of Bottom Bed legs
with end of Upper Bed legs.

13

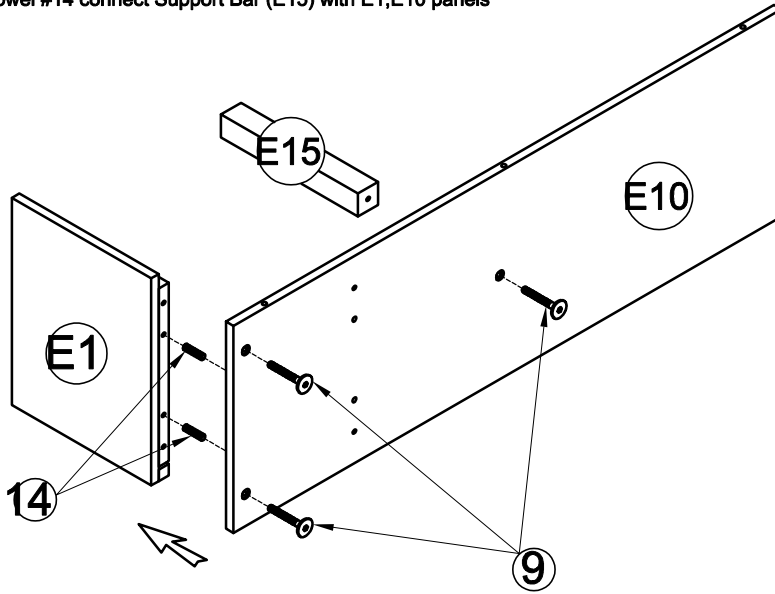


4(pcs)



STEP 15-1:ASSEMBLY STAIRCASE

Using hardware #9 and dowel #14 connect Support Bar (E15) with E1,E10 panels

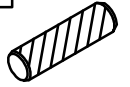


9



3pcs

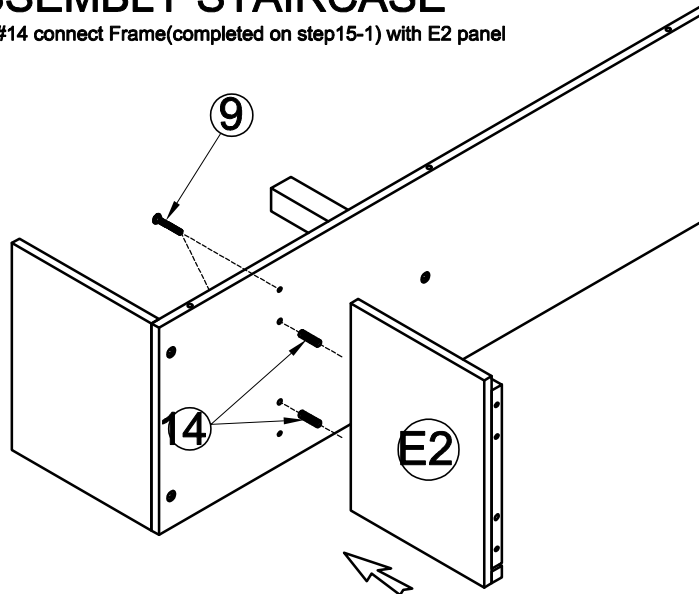
14



2pcs

STEP 15-2:ASSEMBLY STAIRCASE

Using hardware #9 and dowel #14 connect Frame(completed on step15-1) with E2 panel

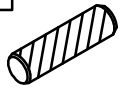


9



2pcs

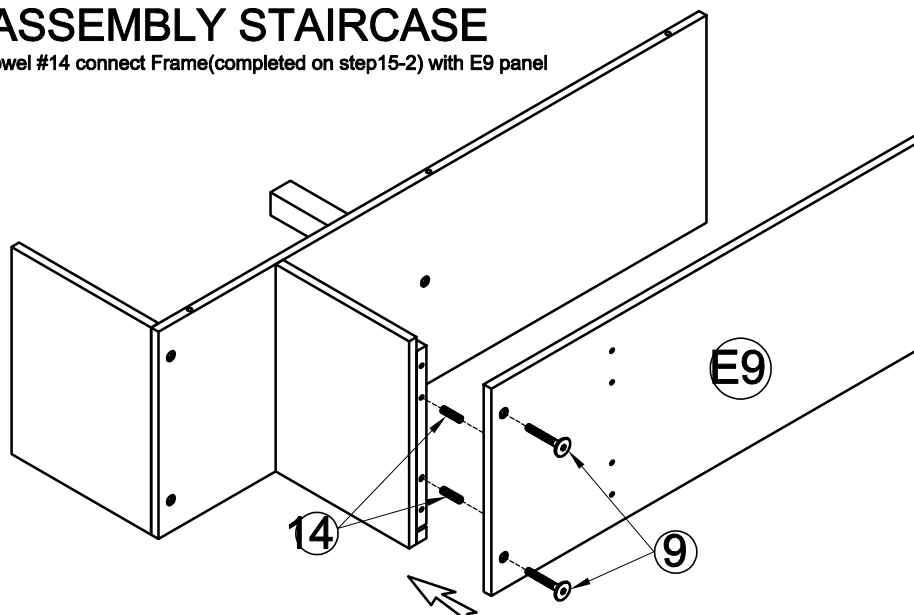
14



2pcs

STEP 15-3:ASSEMBLY STAIRCASE

Using hardware #9 and dowel #14 connect Frame(completed on step15-2) with E9 panel

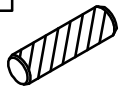


9



2pcs

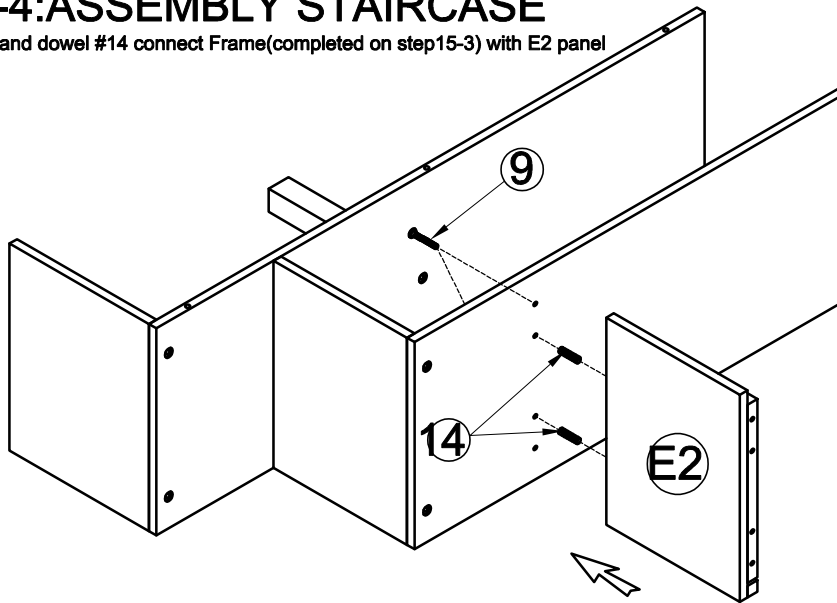
14



2pcs

STEP 15-4:ASSEMBLY STAIRCASE

Using hardware #9 and dowel #14 connect Frame(completed on step15-3) with E2 panel

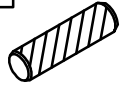


9



2pcs

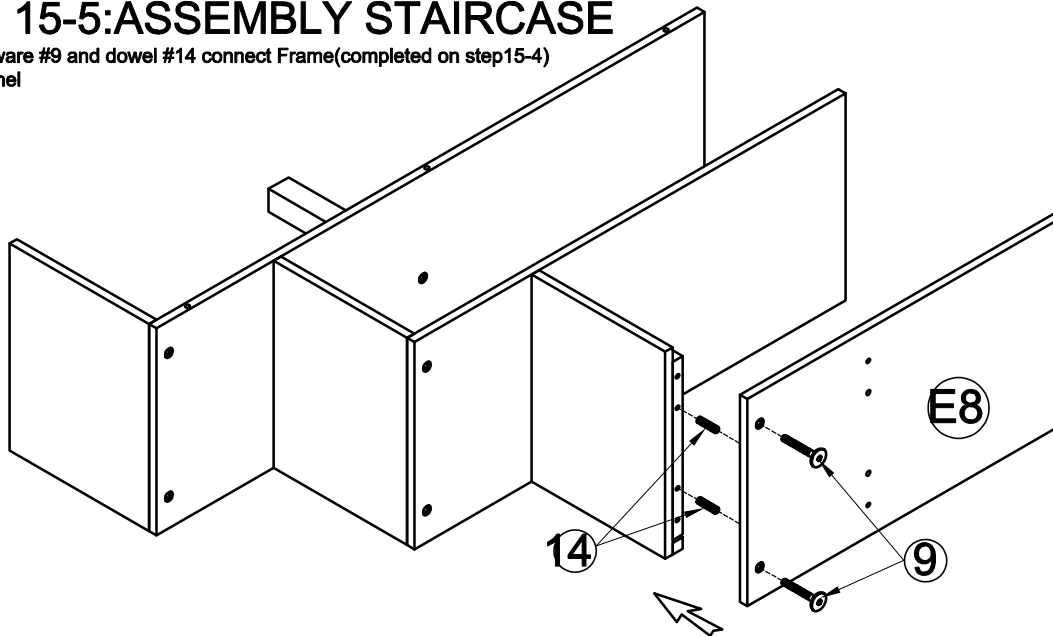
14



2pcs

STEP 15-5:ASSEMBLY STAIRCASE

Using hardware #9 and dowel #14 connect Frame(completed on step15-4) with E8 panel

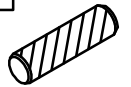


9



2pcs

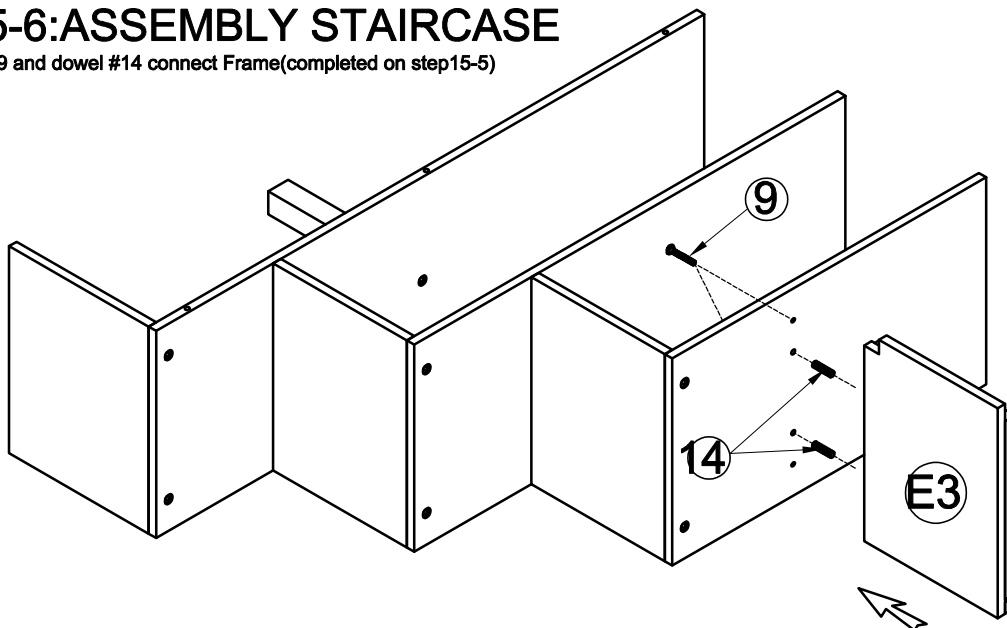
14



2pcs

STEP 15-6:ASSEMBLY STAIRCASE

Using hardware #9 and dowel #14 connect Frame(completed on step15-5) with E3 panel

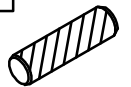


9



2pcs


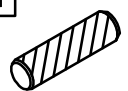
14

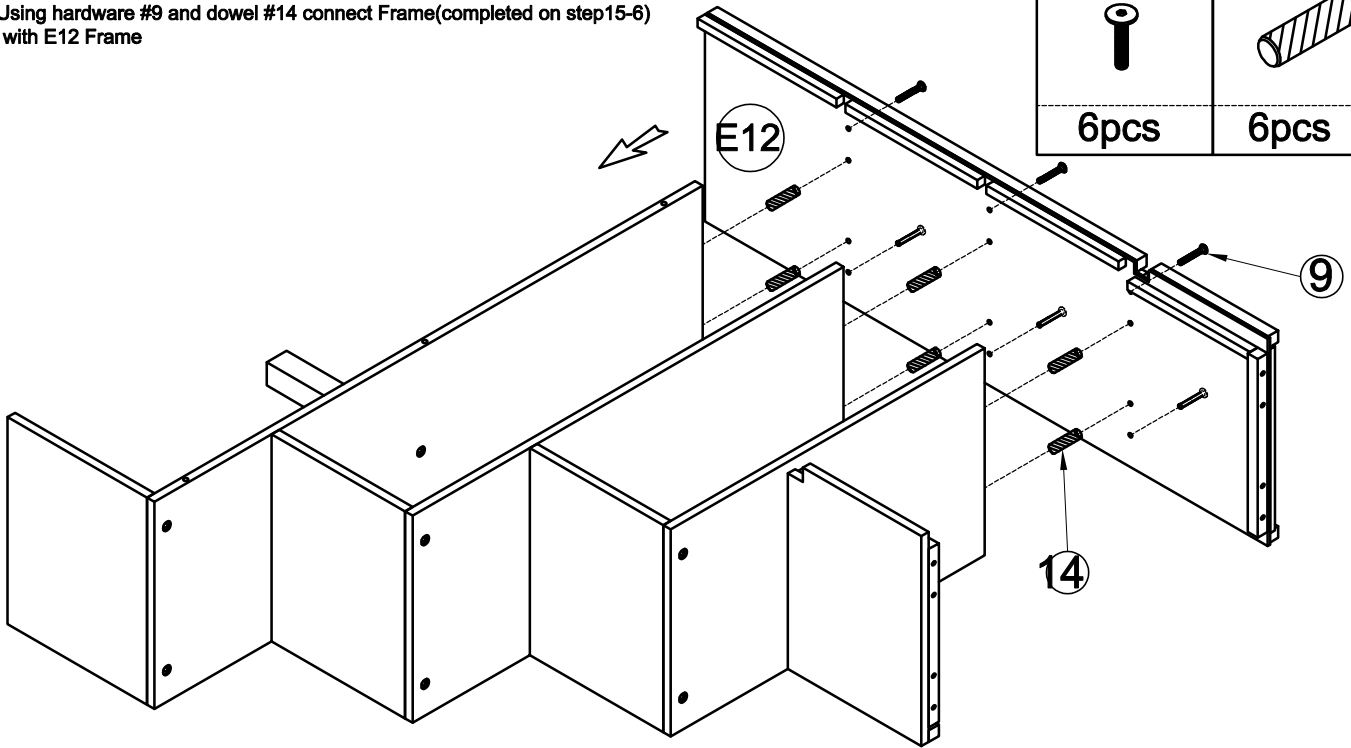


2pcs

STEP 15-7:ASSEMBLY STAIRCASE


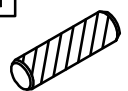
Using hardware #9 and dowel #14 connect Frame(completed on step15-6) with E12 Frame

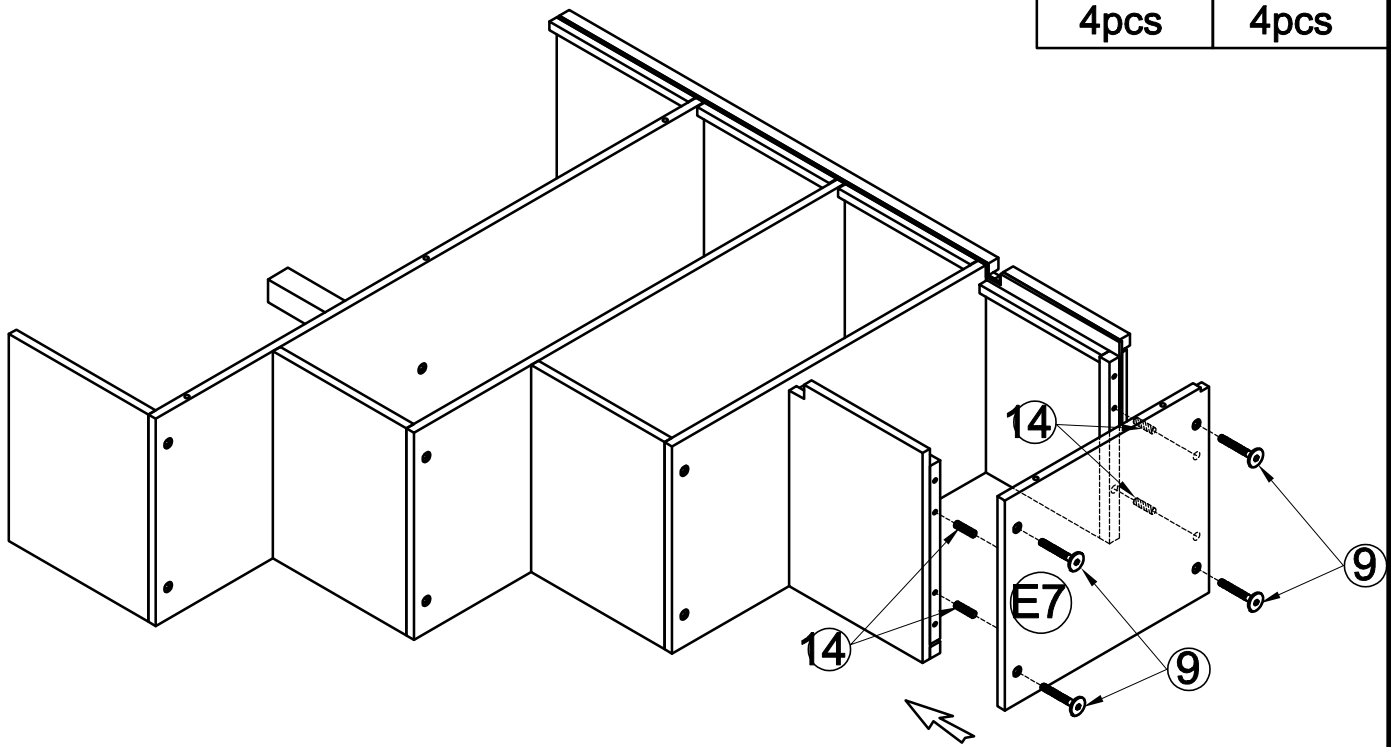
9	14
	
6pcs	6pcs



STEP 15-8:ASSEMBLY STAIRCASE

Using hardware #9 and dowel #14 connect Frame(completed on step15-7) with E7 Panel

9	14
	
4pcs	4pcs



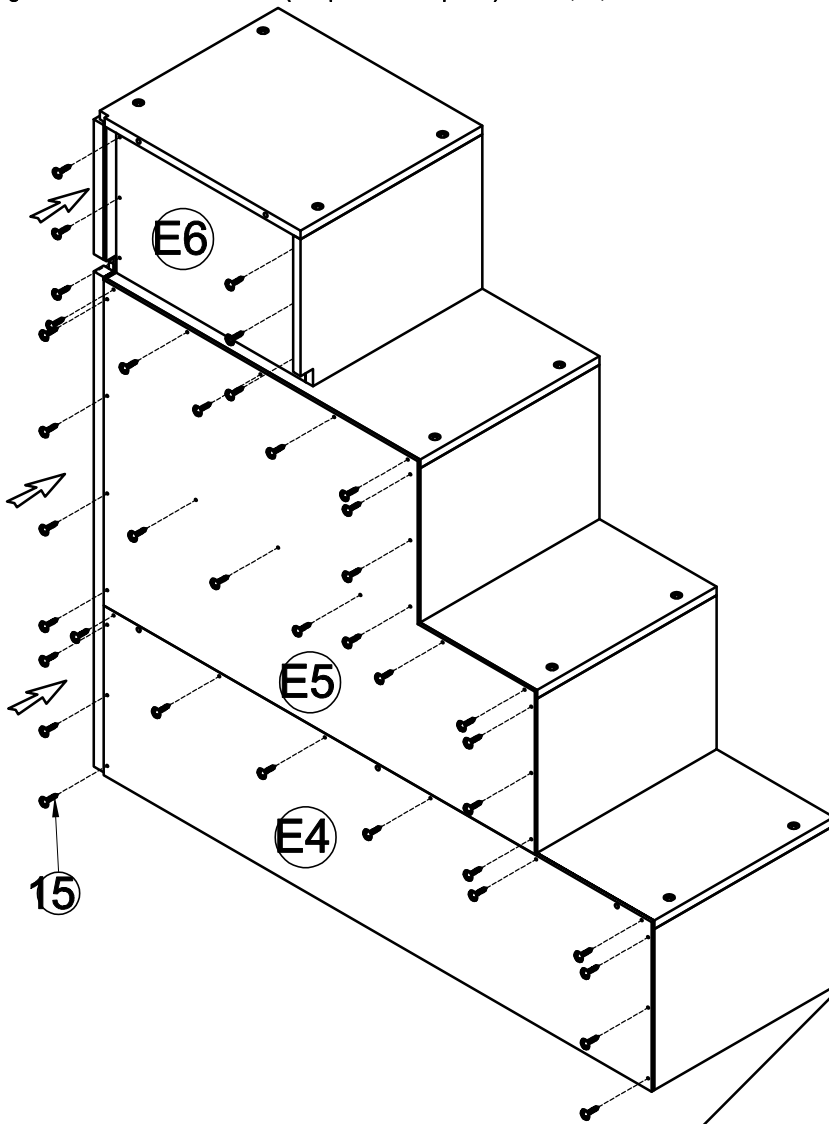
STEP 15-9:ASSEMBLY STAIRCASE

Using hardware #15 connect Frame(completed on step15-8) with E4,E5,E6 Panels

15

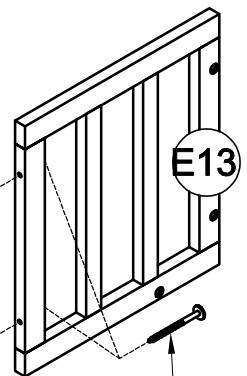


38pcs



STEP 15-10:ASSEMBLY STAIRCASE

Using hardware #16 connect E13 Frame with E14 Frame

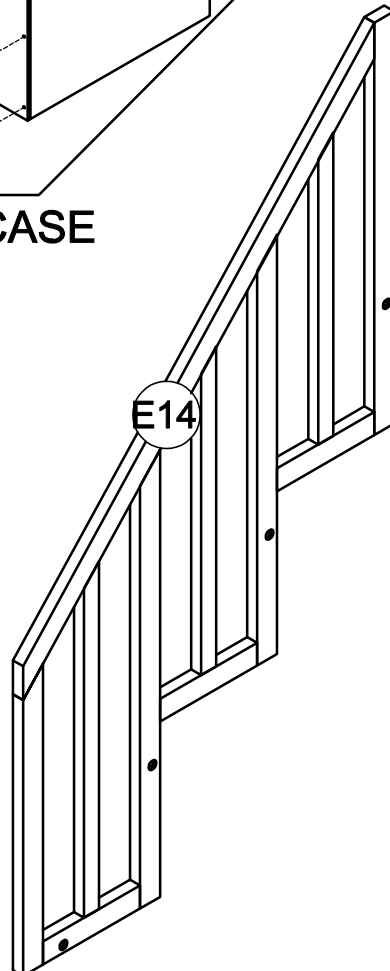


16

16





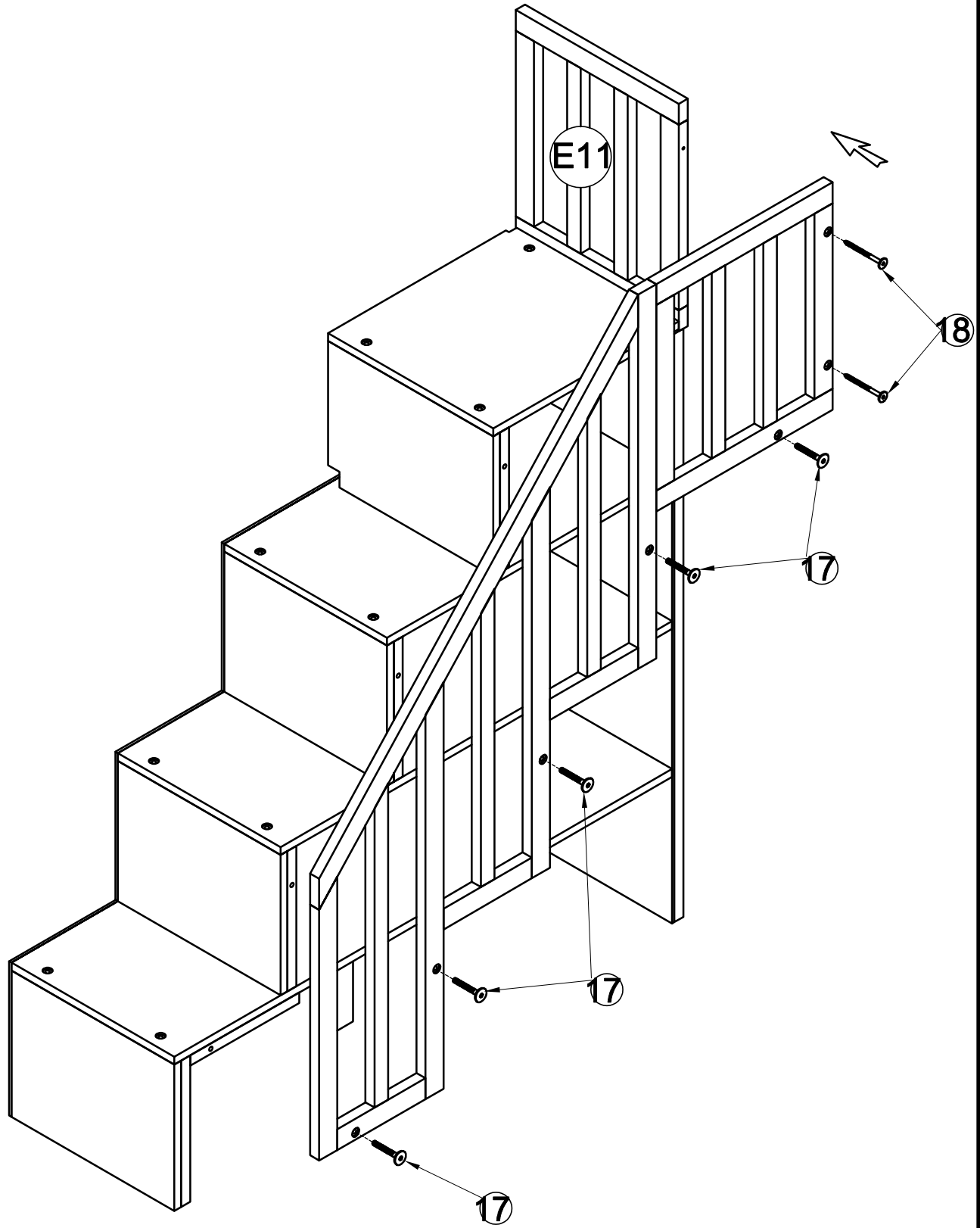
2pcs



STEP 15-11:ASSEMBLY STAIRCASE



Using hardware #17,#18 connect Frame(completed on step15-9) with Frame(completed on step15-10) and E11 Frame

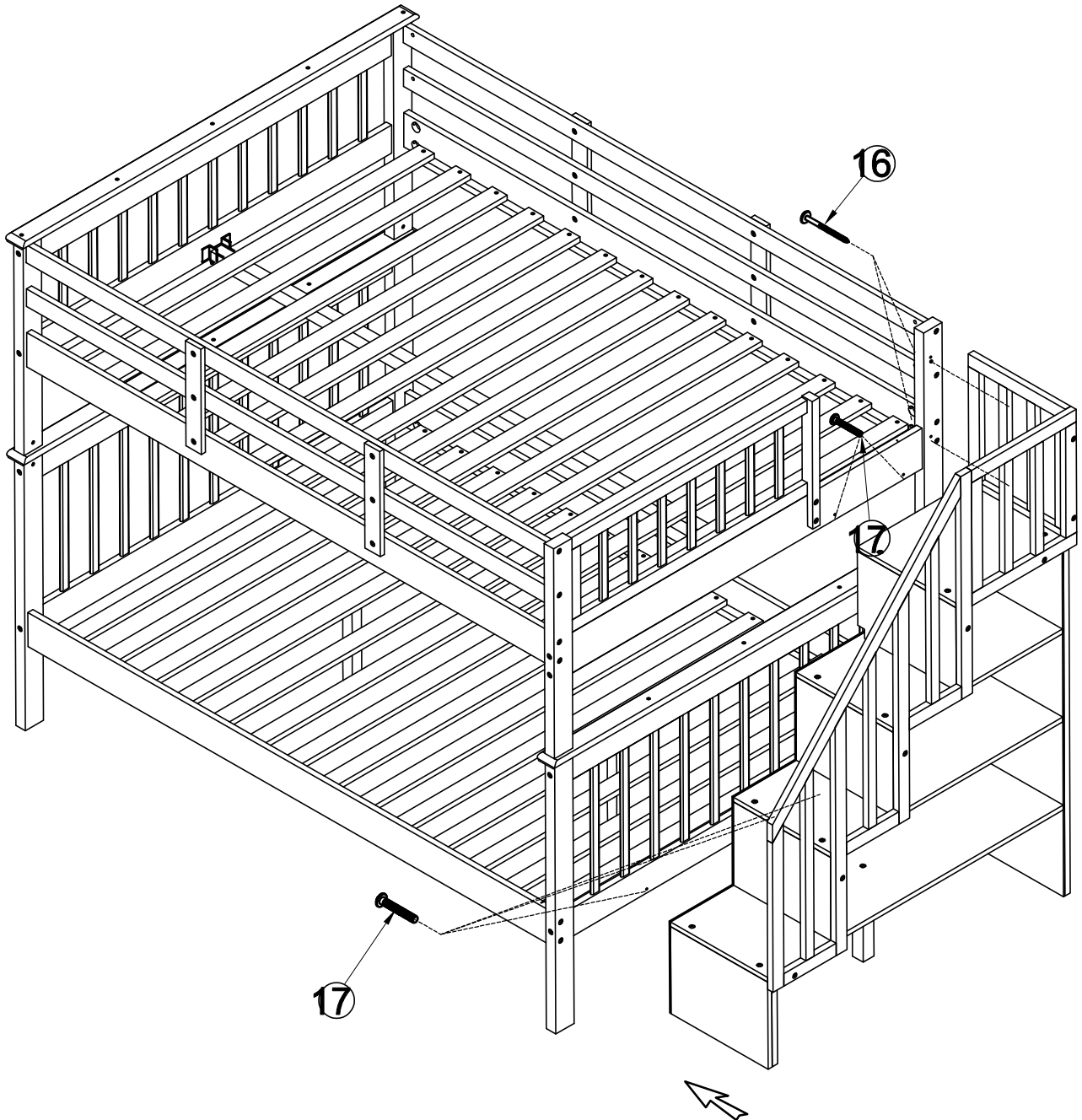
17	18
	
5pcs	2pcs



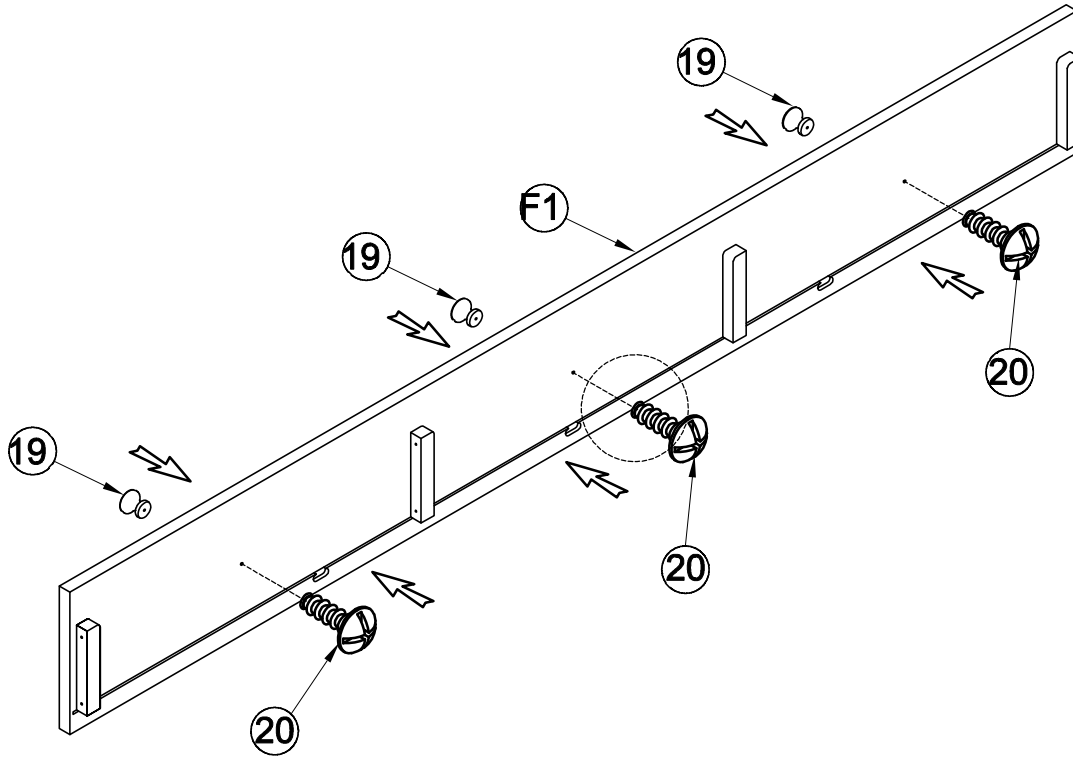
STEP 16

Align and fix the staircase and the bunk beds, Using #16,#17 connect the staircase with bunk beds

17	16
	
5pcs	2pcs

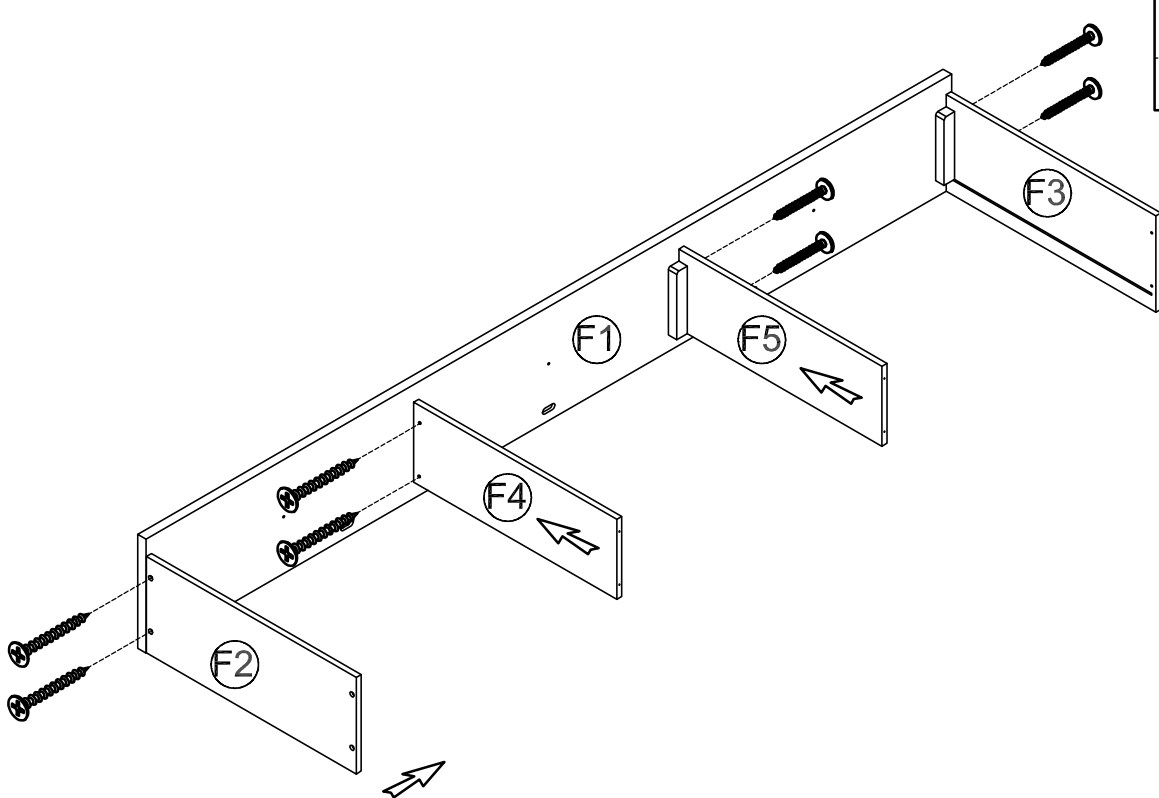


STEP 17-1:ASSEMBLY DRAWER



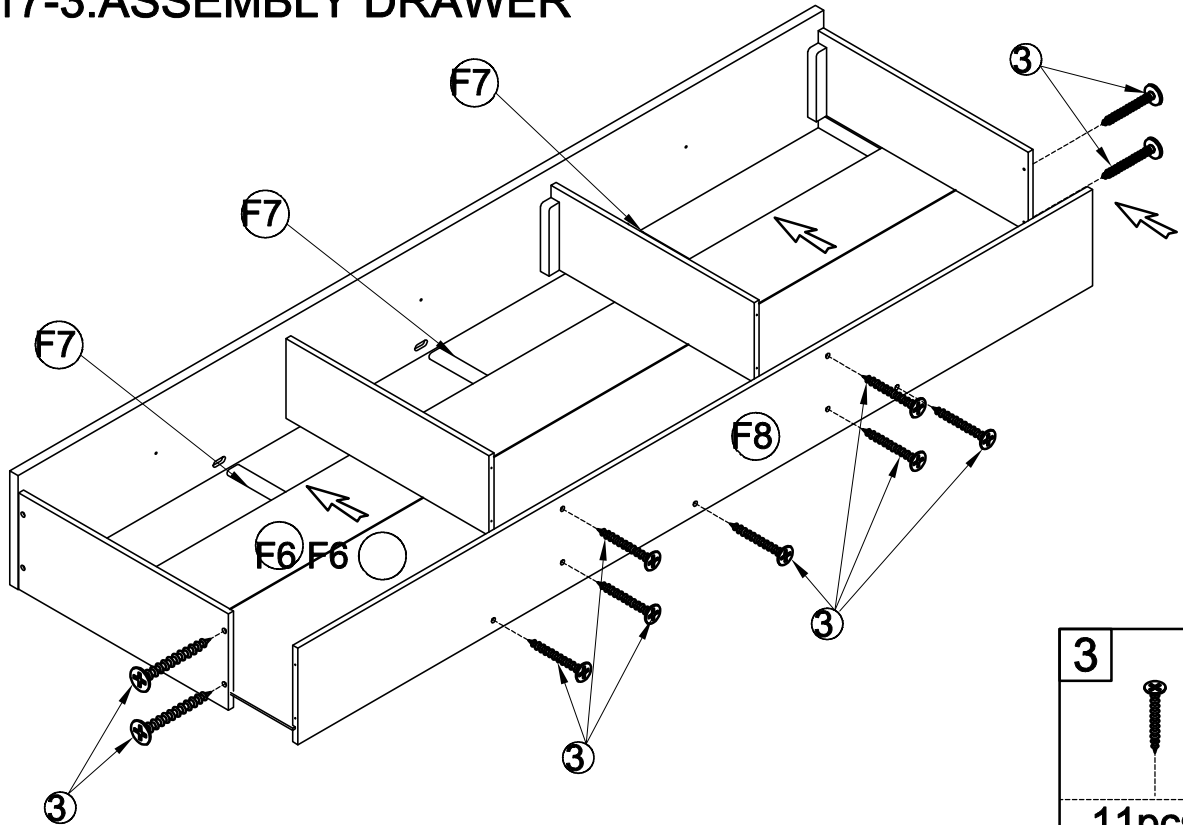
- 19
3pcs
- 20
3pcs


STEP 17-2:ASSEMBLY DRAWER



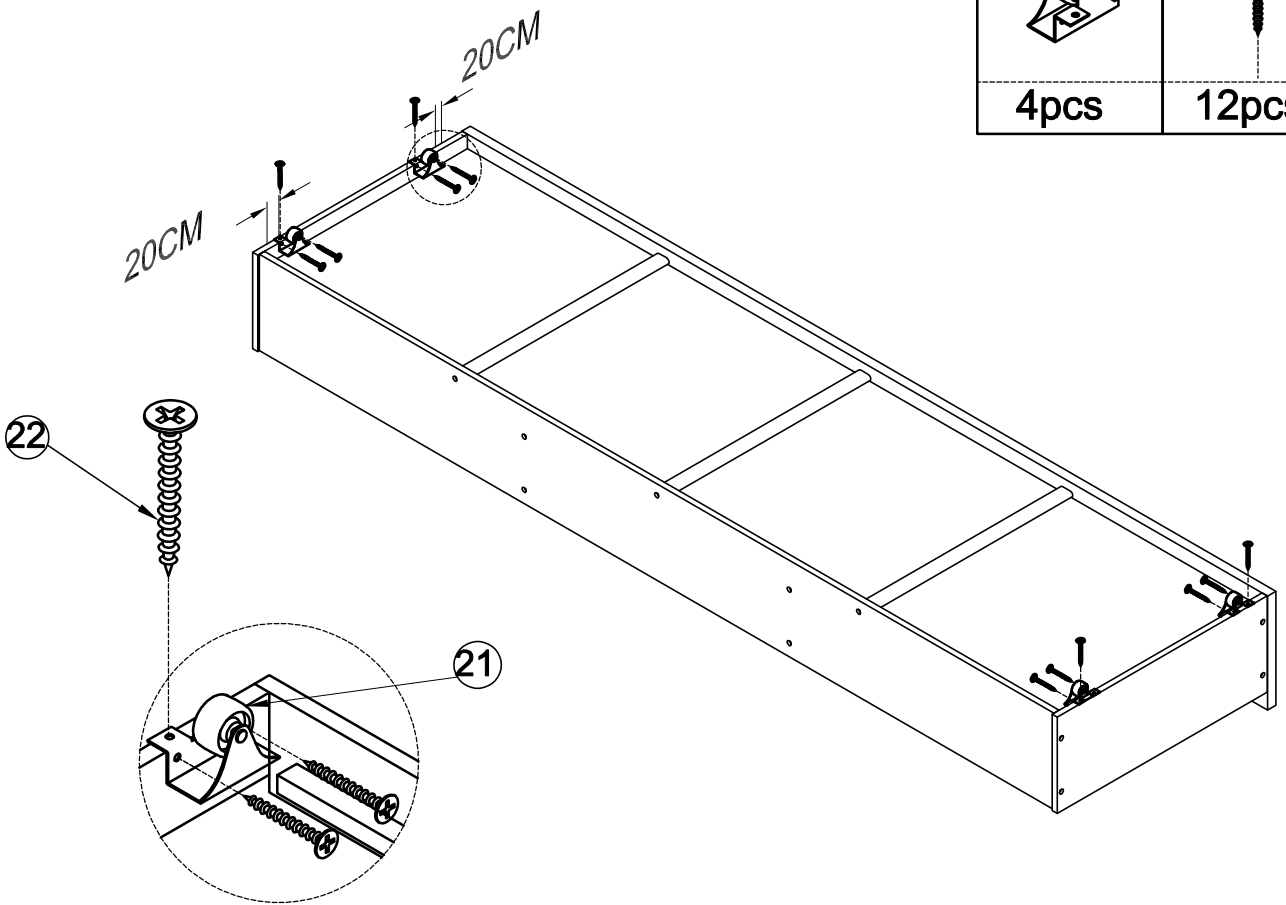
- 3
8pcs



STEP 17-3:ASSEMBLY DRAWER



3	
11pcs	

STEP 17-4:ASSEMBLY DRAWER



21	
4pcs	
22	
12pcs	

STEP 18: CONGRARULATION. YOU HAVE COMPLETED THE BED. just one more step to push the Drawer into it position

