



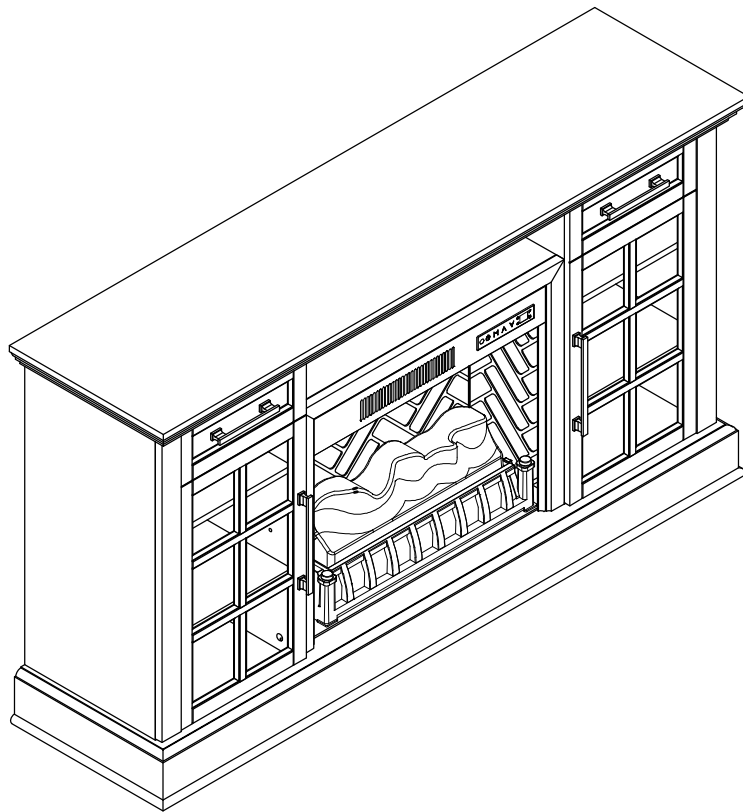
---

FL-10213 GAHANNA 2 TONE MEDIA FP

UPC# 648564049402

ASSEMBLY INSTRUCTIONS

Made In Vietnam

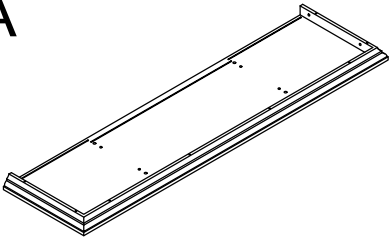
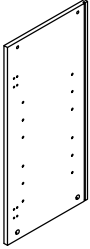
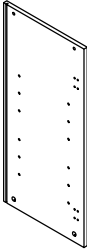
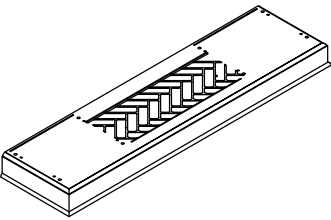




**Questions, problems, missing parts?** Before returning to your retailer, call our customer service department at 1-888-315-6658, 8 a.m - 5 p.m. EST, Monday-Friday.

Thank you for purchasing this quality product. Be sure to check all packing material carefully for small parts, which may have come loose inside the carton during shipment. Count all parts and material hardware, then compare with parts list to be sure all parts are present. If any parts are missing or damaged, phone, fax, or mail to our Customer Service Department for efficient and speedy service. Please indicate the model number and code letter of part(s) needed.

NOTE: In order to prevent damage during assembly, please assemble this item with at least two people.

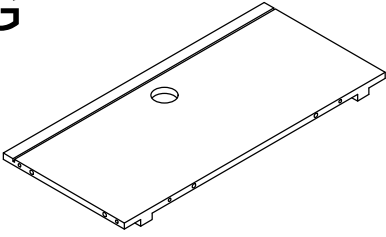
IMPORTANT NOTE: Follow instructions listed below in proper sequence as numbered to assure fast, easy and correct assembly.

<b>PARTS LIST</b>		
<b>A</b>	<b>B</b>	<b>C</b>
		
TOP PANEL-1PC	LEFT SIDE PANEL-1PC	RIGHT SIDE PANEL-1PC
<b>D</b>	<b>E</b>	<b>F</b>
		
BOTTOM PANEL-1PC	LEFT STAND PANEL-1PC	RIGHT STAND PANEL-1PC

NOTE: THE SURFACE WITH THE STICKER IS THE BACK SIDE.

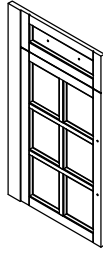
# PARTS LIST

**G**



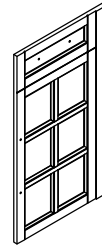
CROSS PANEL-1PC

**H**



LEFT DOOR-1PC

**I**



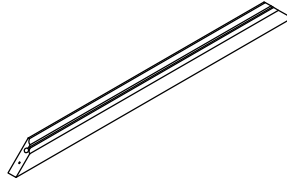
RIGHT DOOR-1PC

**J**



BACK PANEL-2PCS

**K**



UPPER DECORATIVE BAR -1PC

**L**



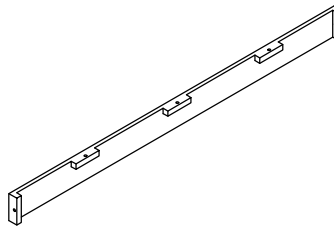
LEFT DECORATIVE BAR-1PC

**M**



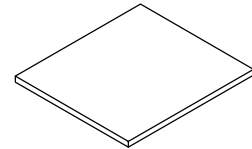
RIGHT DECORATIVE BAR-1PC

**N**



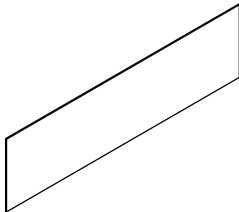
BOTTOM FRAME BAFFLE-1PC

**O**



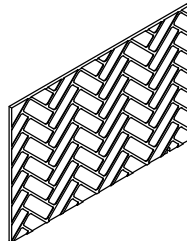
SHELF PANEL-4PCS

**P**



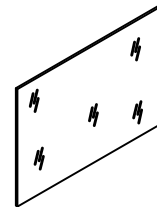
UPPER BACK PANEL-1PC

**Q**



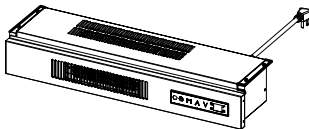
BACK PANEL OF INSERT-1PC

**R**



GLASS-1PC

**S**



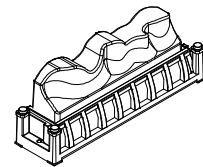
HEATER-1PC

**T**



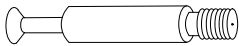



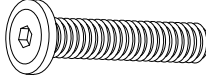



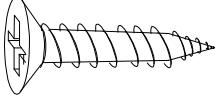
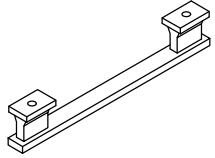
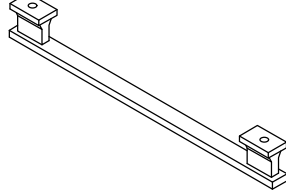
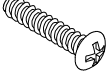
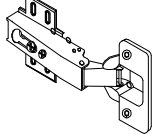
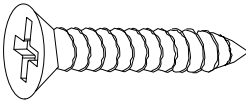
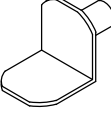
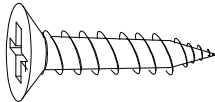
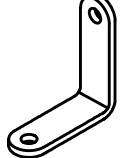
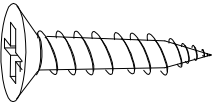
REMOTE-1PC

**U**



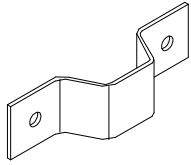
LOGSET-1PC

NOTE: THE SURFACE WITH THE STICKER IS THE BACK SIDE.

<p>1</p>  <p>CAM-BOLTS-18PCS</p>	<p>2</p>  <p>CAM-LOCKS-18PCS</p>	<p>3</p>  <p>DOWELS-20PCS</p>
<p>4</p>  <p>CAM TOOL-1PC</p>	<p>5</p> <p>11*1-1/4"L</p>  <p>BOLT-13PCS</p>	<p>6</p>  <p>FLAT WASHER-9PCS</p>
<p>7</p>  <p>SPRING WASHER-9PCS</p>	<p>8</p>  <p>ALLEN WRENCH-1PC</p>	<p>9</p> <p>8*1-1/2"L</p>  <p>SCREW-6PCS</p>
<p>10</p> <p>155*27*15</p>  <p>HANDLE-2PCS</p>	<p>11</p> <p>218*27*15</p>  <p>HANDLE-2PCS</p>	<p>12</p> <p>5/32"*5/8L</p>  <p>BOLT-8PCS</p>
<p>13</p>  <p>HINGE-4PCS</p>	<p>14</p> <p>7*5/8"L</p>  <p>SCREW-24PCS</p>	<p>15</p>  <p>SHELF PIN-16PCS</p>
<p>16</p> <p>8*1"L</p>  <p>SCREW-6PCS</p>	<p>17</p>  <p>METAL CONNECTOR-2PCS</p>	<p>18</p> <p>8*1/2"L</p>  <p>SCREW-4PCS</p>

NOTE: THE SURFACE WITH THE STICKER IS THE BACK SIDE.

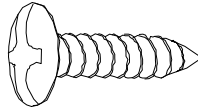
19



HOOK-4PCS

20

7\*5/8"L



SCREW-4PCS

21



PLASTIC TIE-2PCS

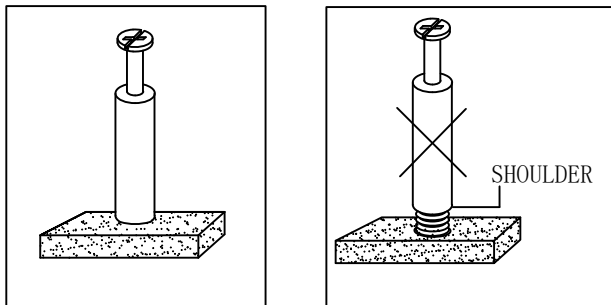
22



ANCHORS-4PCS

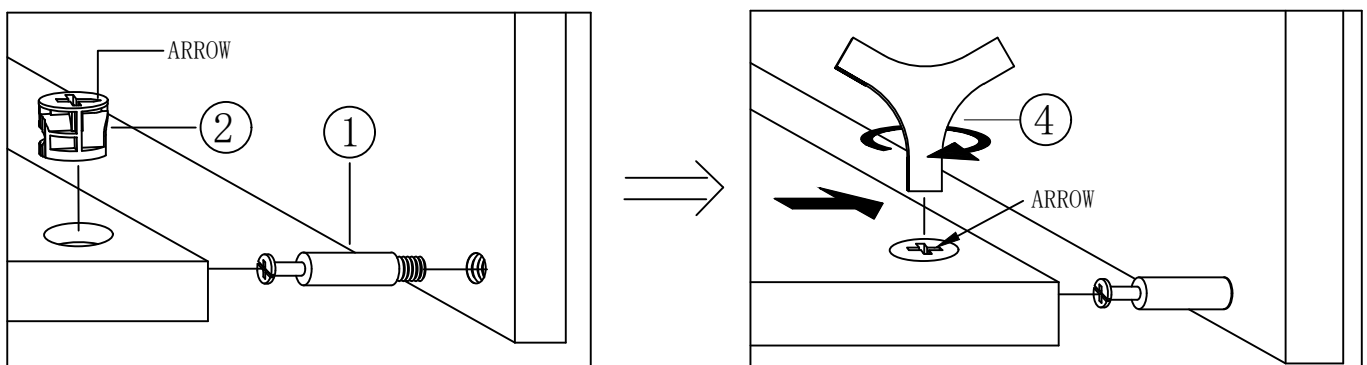
NOTE: THE SURFACE WITH THE STICKER IS THE BACK SIDE.

NOTE: ● UPON OPENING, THOROUGHLY CLEAN ALL WOOD SURFACES TO REMOVE DUST AND DIRT THAT MAY HAVE SETTLED ONTO FINISH DURING SHIPMENT. IN ORDER TO PREVENT DAMAGE DURING ASSEMBLY, PLEASE ASSEMBLE THIS ITEM WITH AT LEAST TWO PEOPLE.

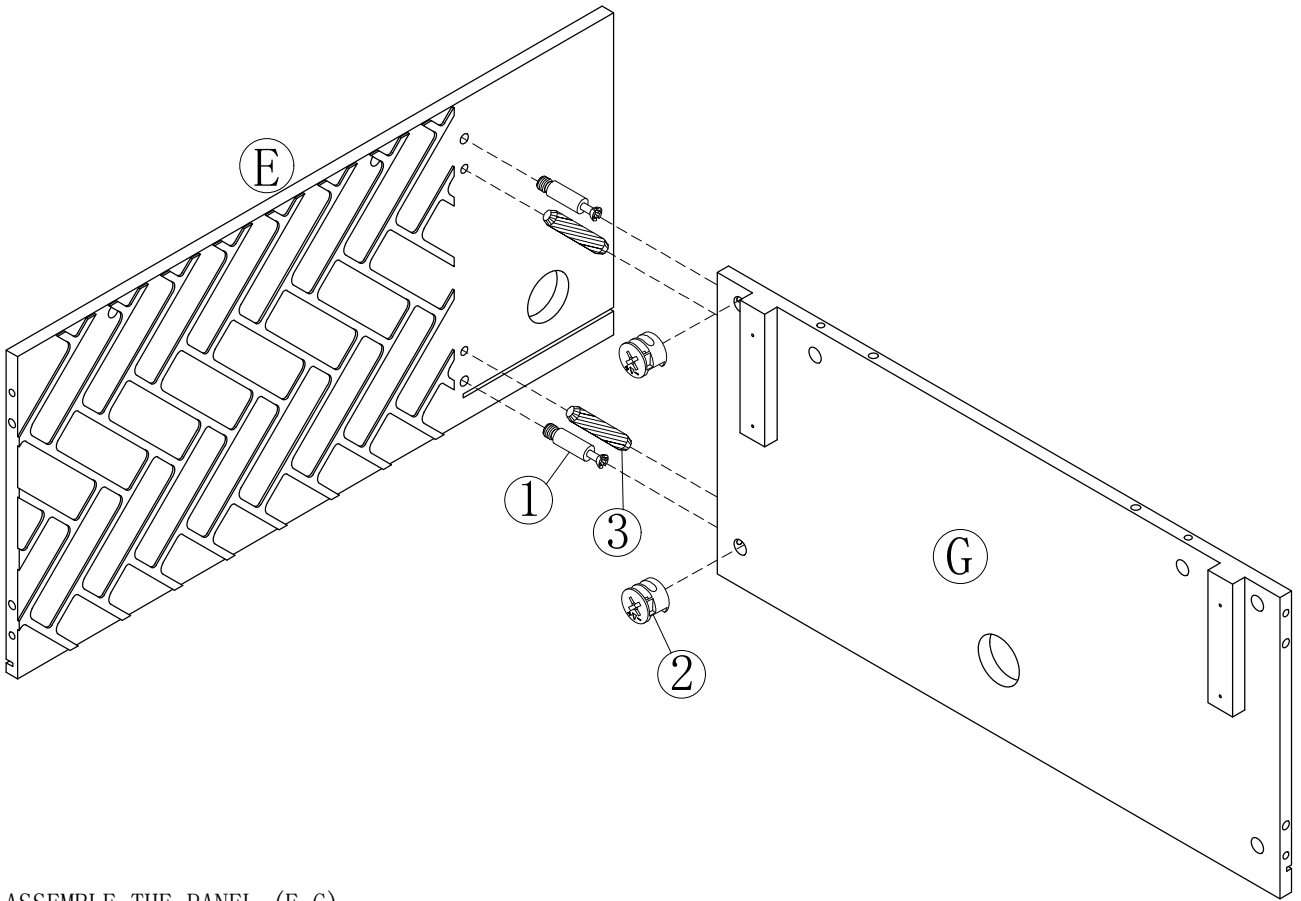


NOTE: TURN THE CAM-BOLT SCREWS UNTIL THEY ARE TIGHT, THE SHOULDER SHOULD BE AGAINST THE SURFACE OF THE PART.

## HOW TO USE THE CAM-TOOL

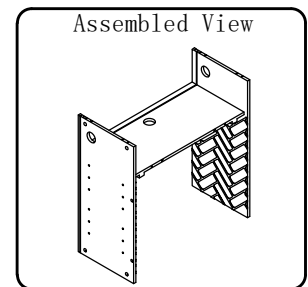
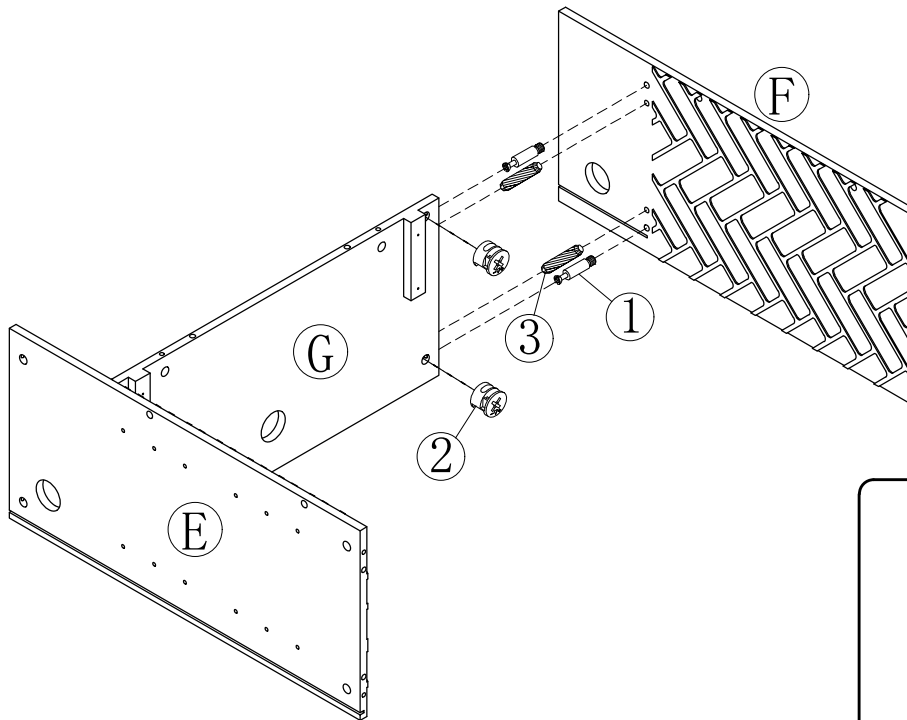


NOTE: ● THE ARROWS ON THE HIDDEN CAM-LOCKS SHOULD POINT TO THE CAM-BOLTS



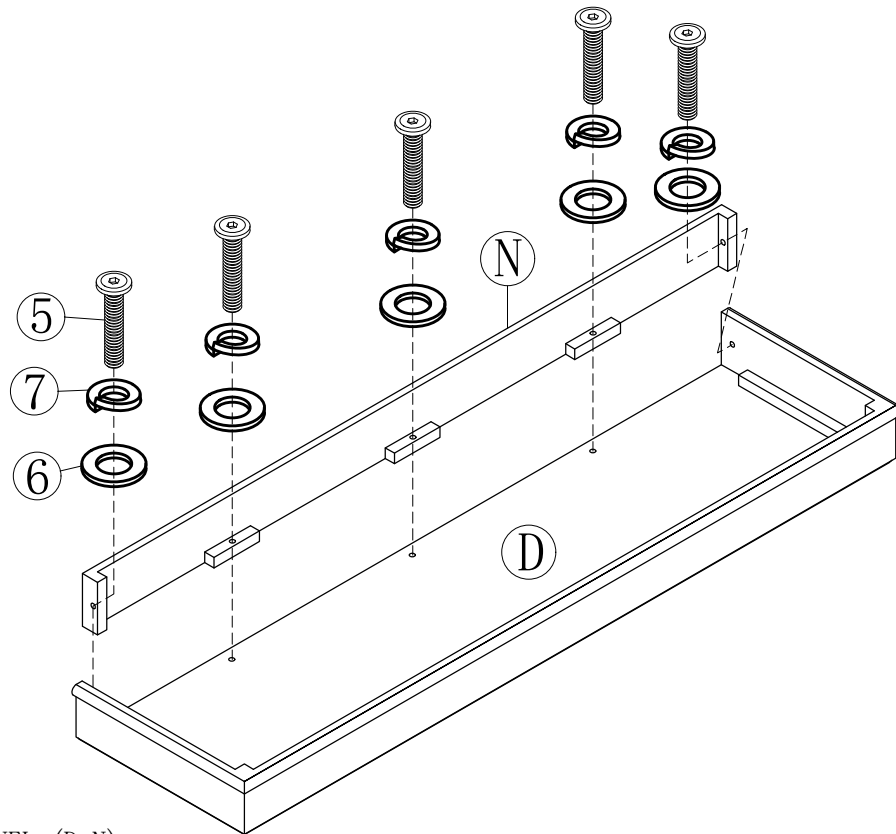
1). ASSEMBLE THE PANEL (E, G)

- ROTATE 2 CAM-BOLTS (1) AND INSERT 2 DOWELS (3) INTO THE PANEL (E).
- ALIGN THE PANEL (E) WITH THE PANEL (G) AND ATTACH USING 2 CAM-LOCKS.



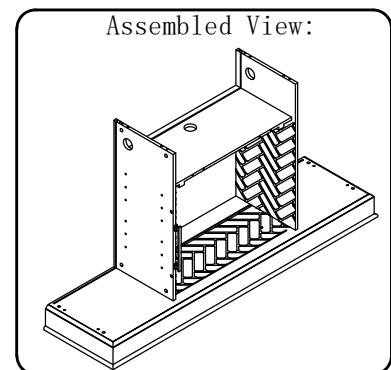
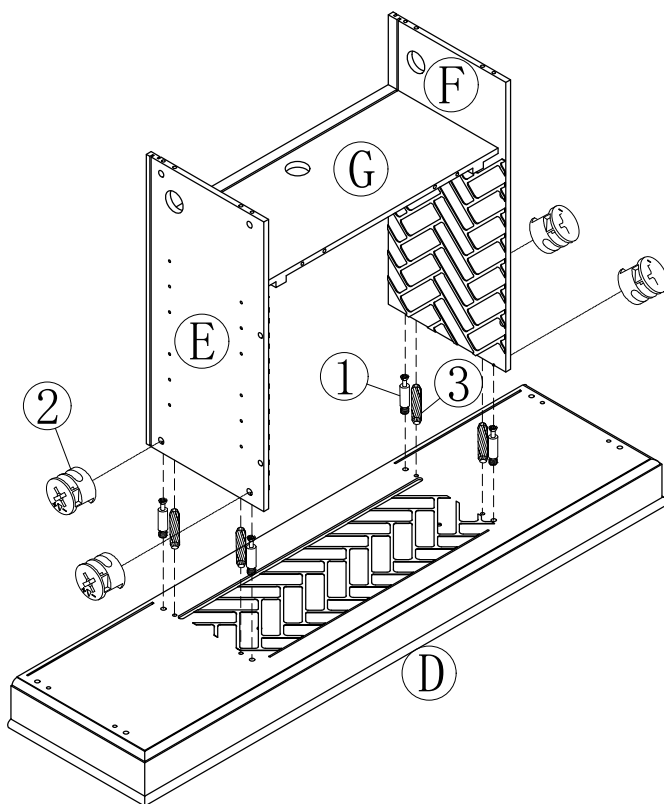
2). ASSEMBLE THE PANEL (F)

- ROTATE 2 CAM-BOLTS (1) AND INSERT 2 DOWELS (3) INTO THE PANEL (F).
- ALIGN THE PANEL (F) WITH THE PANEL (G) AND ATTACH USING 2 CAM-LOCKS (2).



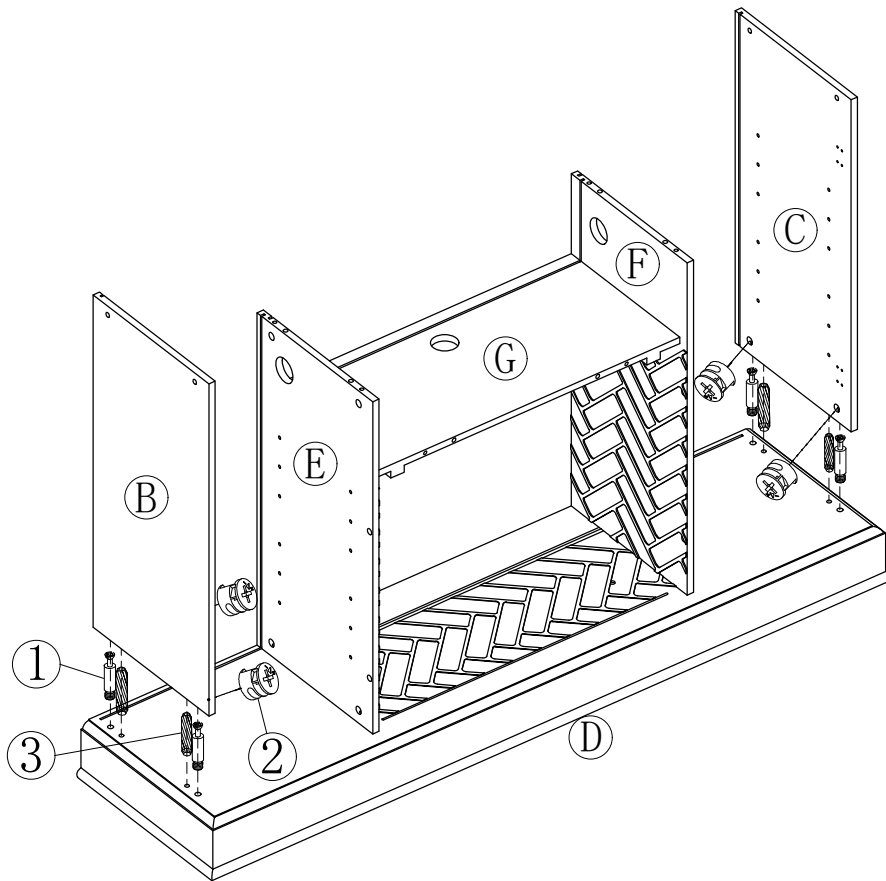
3). ASSEMBLE THE PANEL (D, N)

- ATTACH PANEL (N) TO PANEL (D) USING 5 BOLTS (5), 5 FLAT WASHERS (6) AND 5 SPRING WASHERS (7).
- TIGHTEN ALL HARDWARE USING ALLEN WRENCH (8).



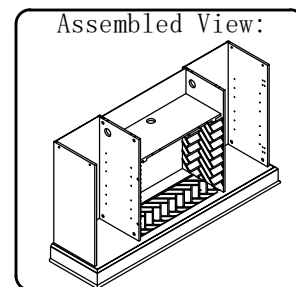
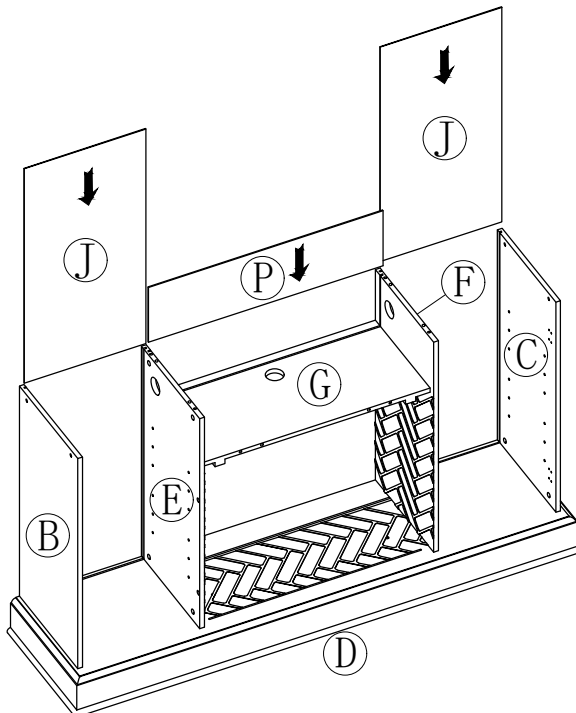
4). ASSEMBLE THE PANEL (D, E, F, G)

- INSERT 4 CAM-BOLTS (1) AND 4 DOWELS (3) INTO PANEL (D).
- ALIGN PANELS (E) AND (F) WITH PANEL (D) AND SLIDE INTO PLACE.
- SECURE PANELS (E, F, G) TO PANEL (D) USING 4 CAM-LOCKS (2).



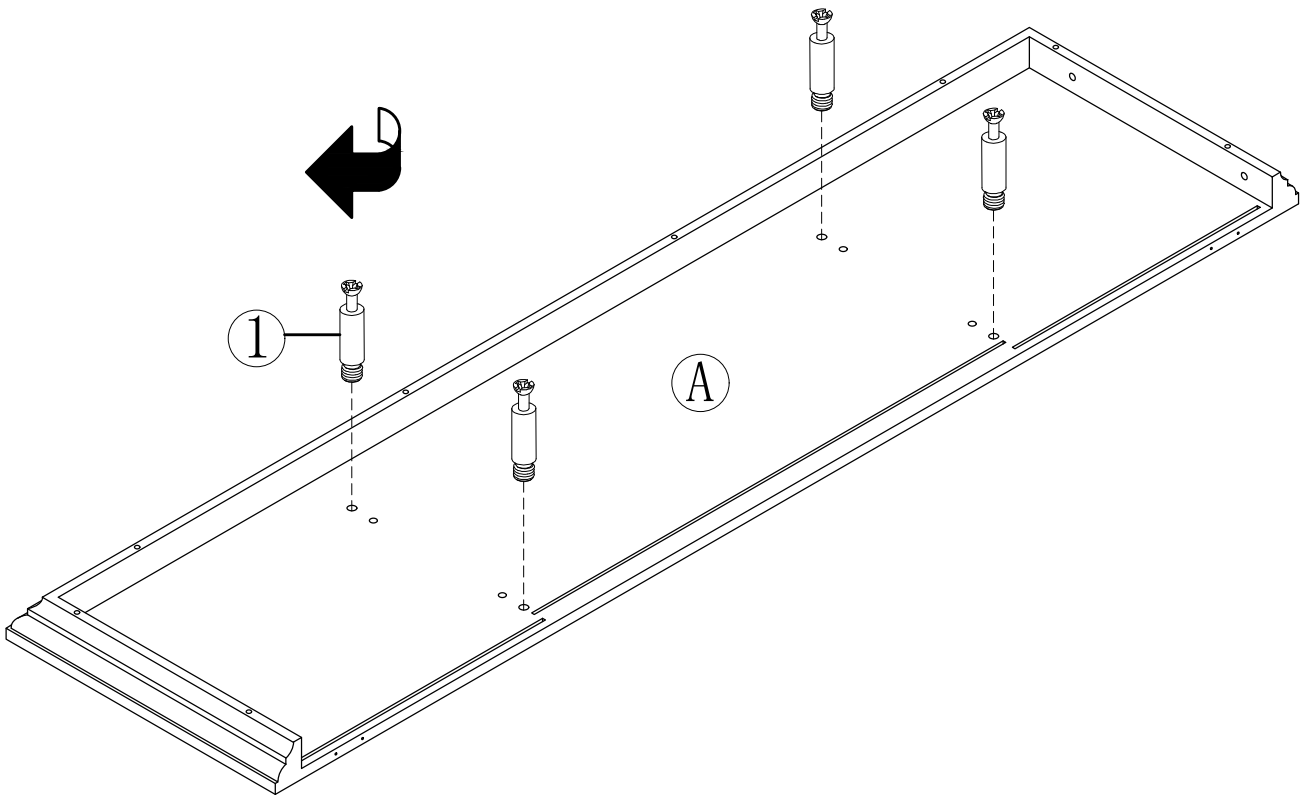
5). ASSEMBLE THE PANEL (B, C)

- INSERT 4 CAM-BOLTS (1) AND 4 DOWELS (3) INTO PANEL (D).
- ALIGN PANELS (B) AND (C) WITH PANEL (D) AND ATTACH USING 4 CAM-LOCKS (2).



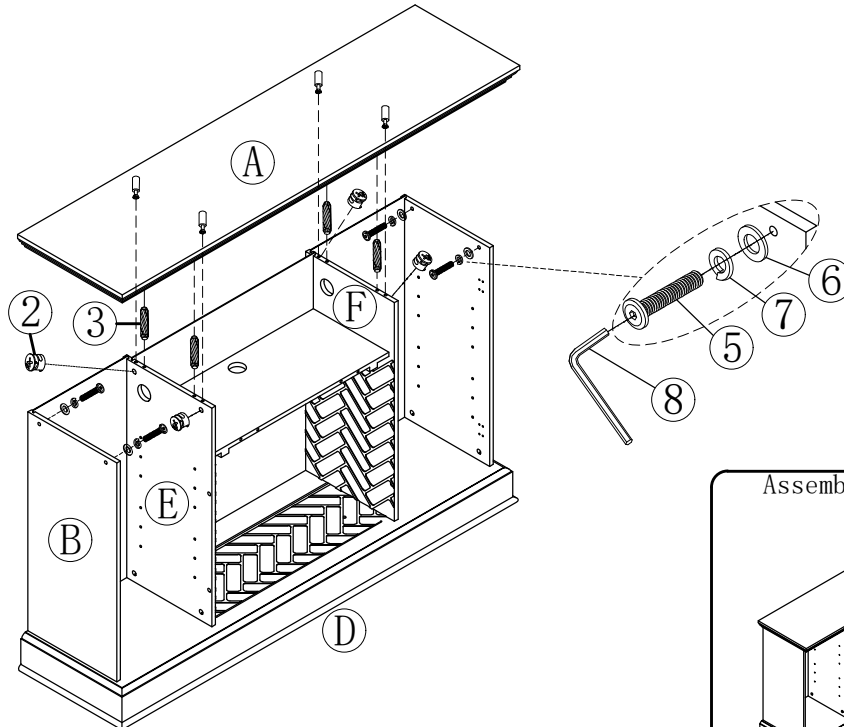
6). ASSEMBLE THE BACK PANELS (J, P)

- SLIDE 2 BACK PANELS (J) INTO THE GROOVES OF PANELS (B), (C) AND (E/F).
- SLIDE UPPER BACK PANEL (P) INTO THE GROOVES OF PANELS (E/F) AS SHOWN.



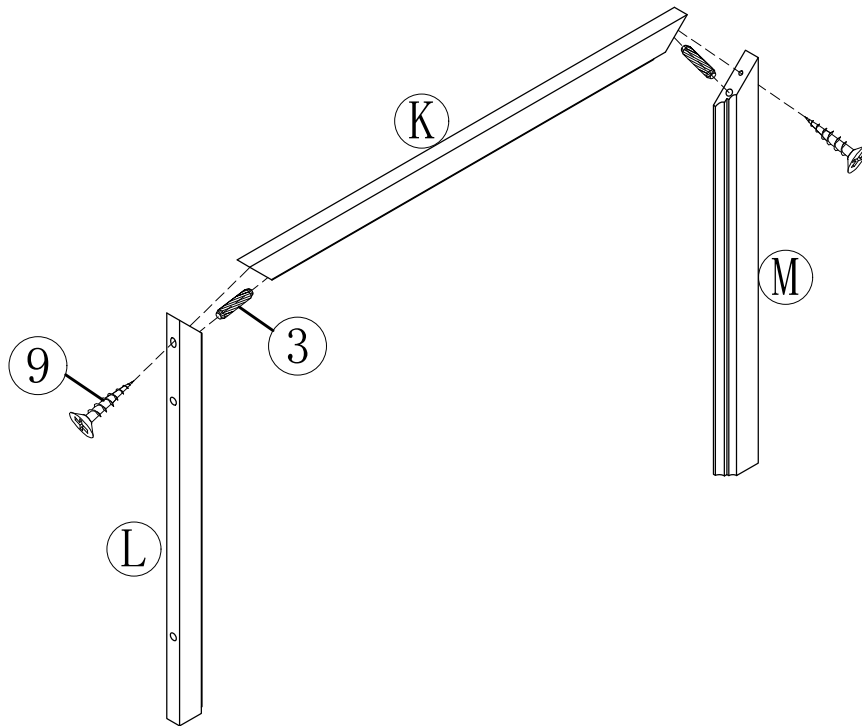
7). ASSEMBLE THE TOP PANEL (A)

- INSERT 4 CAM-BOLTS (1) INTO PANEL (A) AND FULLY TIGHTEN.



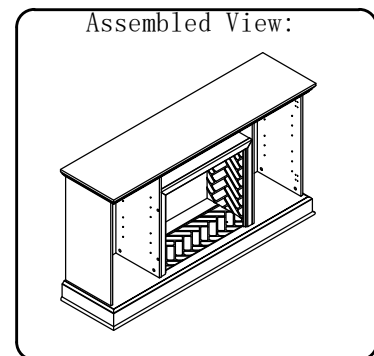
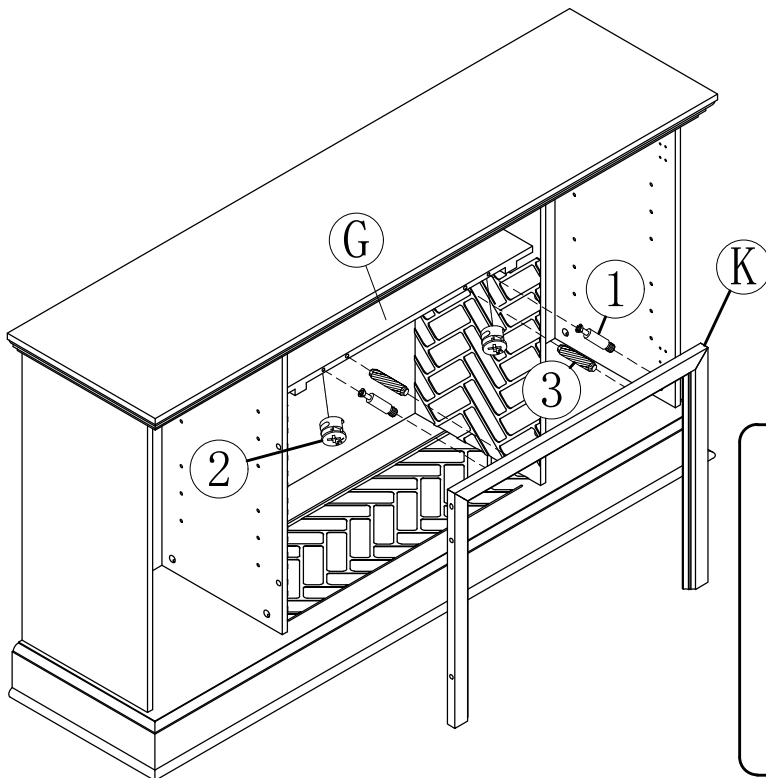
8). ATTACH THE TOP PANEL (A)

- INSERT 4 DOWELS (4) INTO PANELS (E/F).
- ALIGN CAM-BOLTS (1) IN PANEL (A) WITH PANELS (E) AND (F), THEN SLIDE INTO PLACE.
- SECURE PANEL (A) TO PANELS (E/F) USING 4 CAM-LOCKS (2).
- ATTACH PANEL (A) TO PANELS (B/C) USING 4 BOLTS (5), 4 FLAT WASHERS (6) AND 4 SPRING WASHERS (7).
- FULLY TIGHTEN USING ALLEN WRENCH (8).



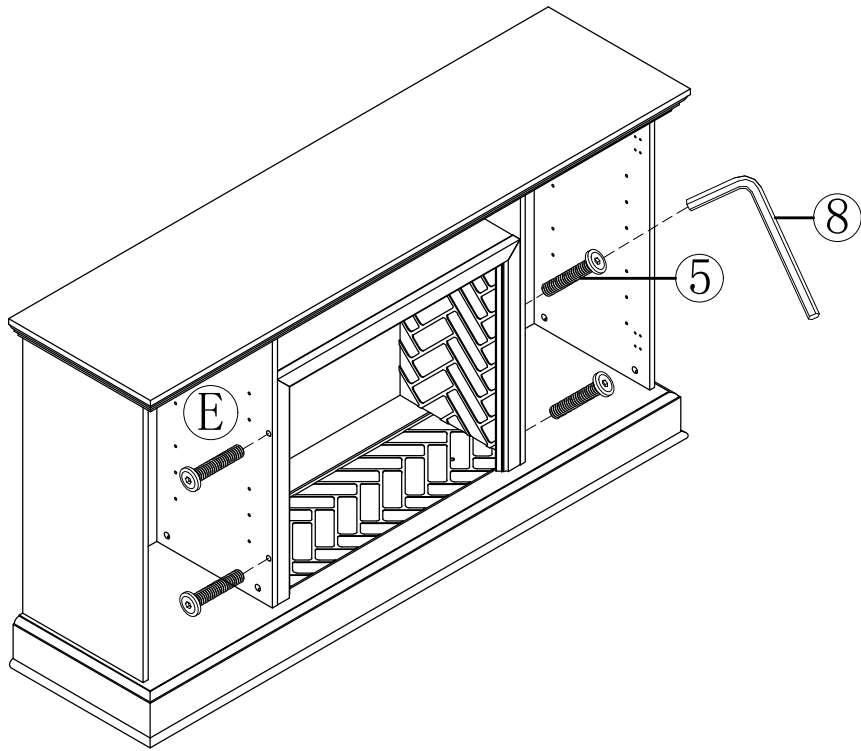
9). ASSEMBLE THE DECORATIVE BARS (L, M, K)

- INSERT 2 DOWELS (3) INTO BARS (L) AND (M).
- ALIGN BARS (L) AND (M) WITH BAR (K).
- SECURE BARS (L, M, K) TOGETHER USING 2 SCREWS (9).



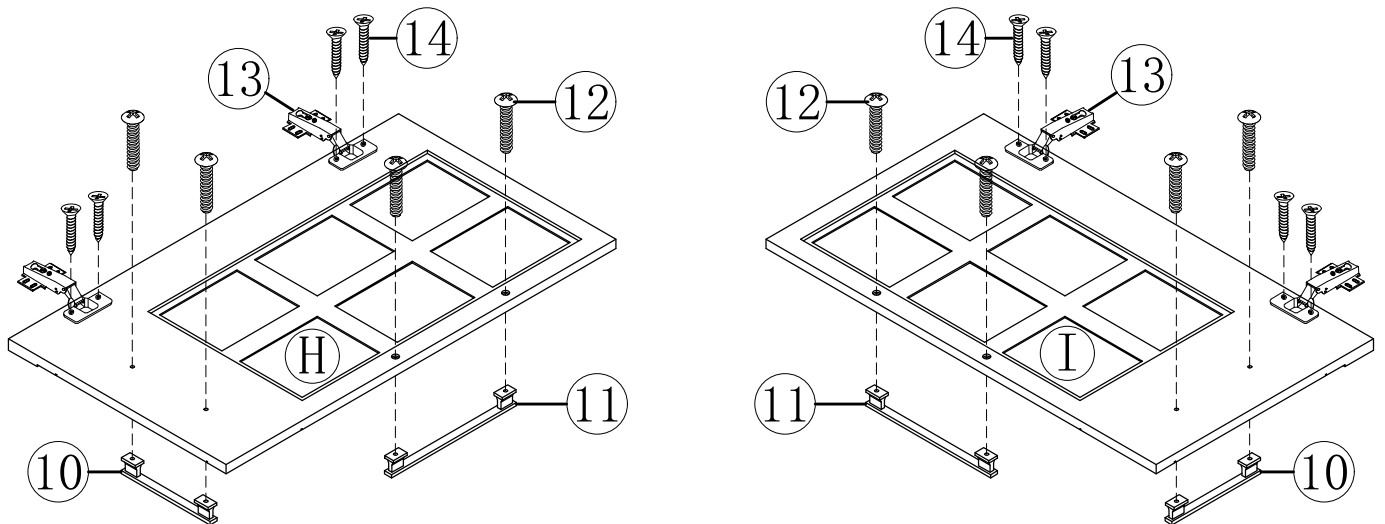
10). ASSEMBLE THE DECORATIVE FRAME (K, L, M)

- INSERT 2 CAM-BOLTS (1) AND 2 DOWELS (3) INTO THE UPPER DECORATIVE BAR (K).
- ALIGN THE CAM-BOLTS (1) ON THE BAR (K) WITH THE HOLES IN THE FRONT OF CROSS PANEL (G).
- SLIDE PANEL (G) INTO PLACE AND SECURE USING 2 CAM-LOCKS (2).



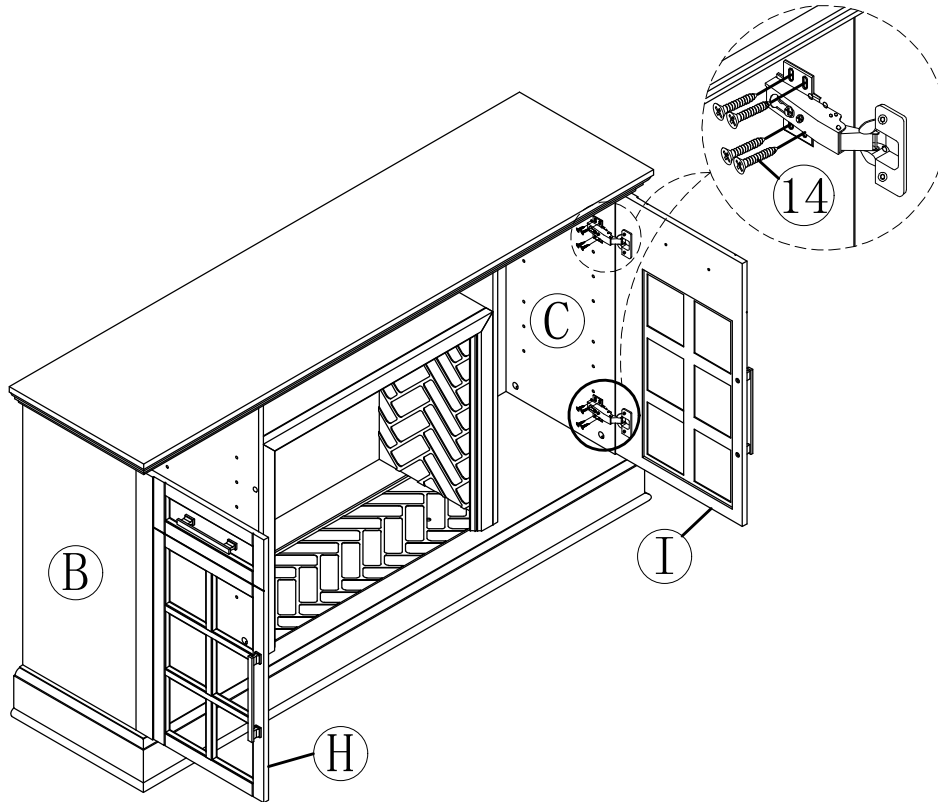
11). ASSEMBLE THE PANELS (E,F)

- ATTACH THE ASSEMBLED FRAME TO THE LEFT AND RIGHT STAND PANELS (E/F) USING 4 BOLTS (5).
- FULLY TIGHTEN USING ALLEN WRENCH (8) AS SHOWN.



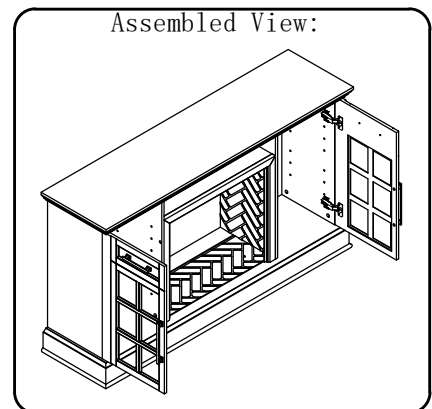
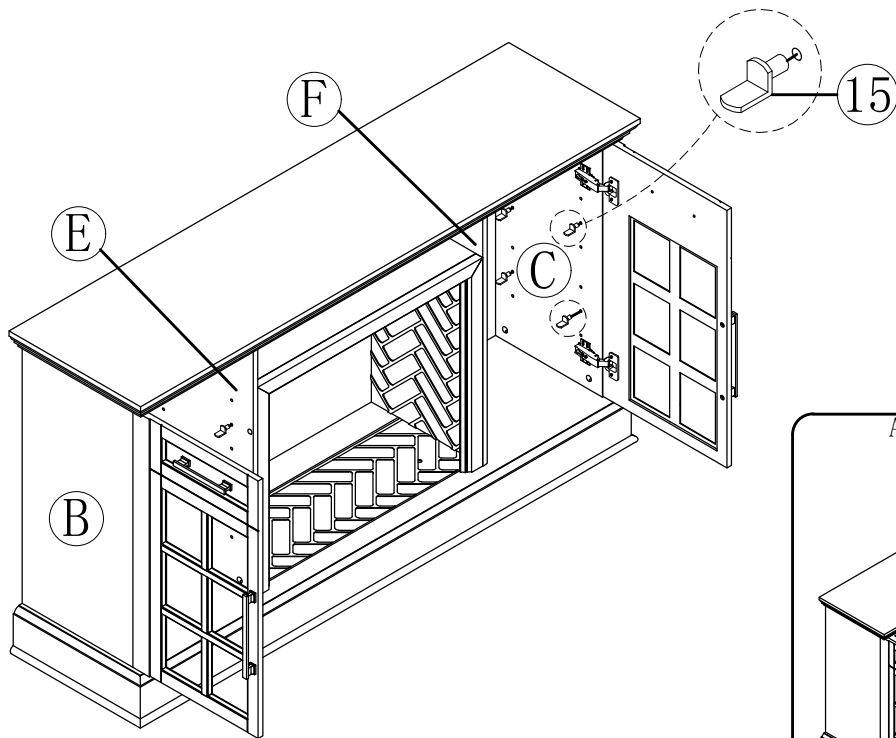
12). ASSEMBLE THE DOORS (H, I)

- ATTACH 4 HINGES (13) TO LEFT DOOR (H) AND RIGHT DOOR (I) USING 8 SCREWS (14).
- ATTACH 2 HANDLES (10) TO LEFT DOOR (H) AND 2 HANDLES (11) TO RIGHT DOOR (I) USING 8 BOLTS (12).



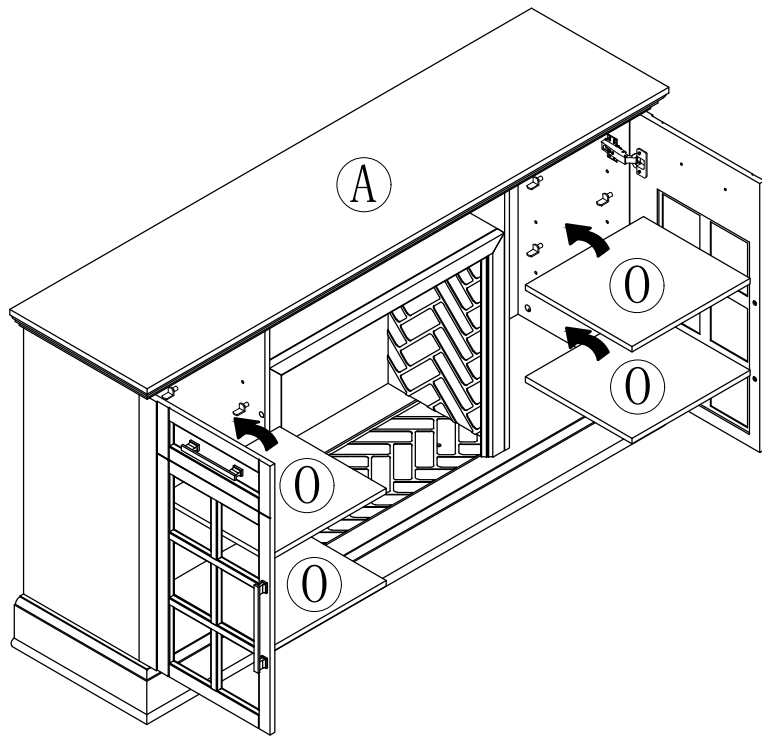
13). ASSEMBLE THE DOORS (H, I)

- ATTACH 2 HINGES (13) OF THE LEFT DOOR (H) TO THE LEFT SIDE PANEL (B) USING 8 SCREWS (14). FULLY TIGHTEN ALL SCREWS (14).
- ATTACH 2 HINGES (13) OF THE RIGHT DOOR (I) TO THE RIGHT SIDE PANEL (C) USING 8 SCREWS (14). FULLY TIGHTEN ALL SCREWS (14).



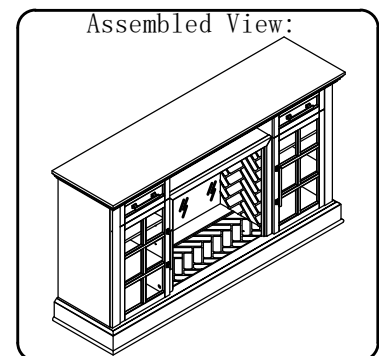
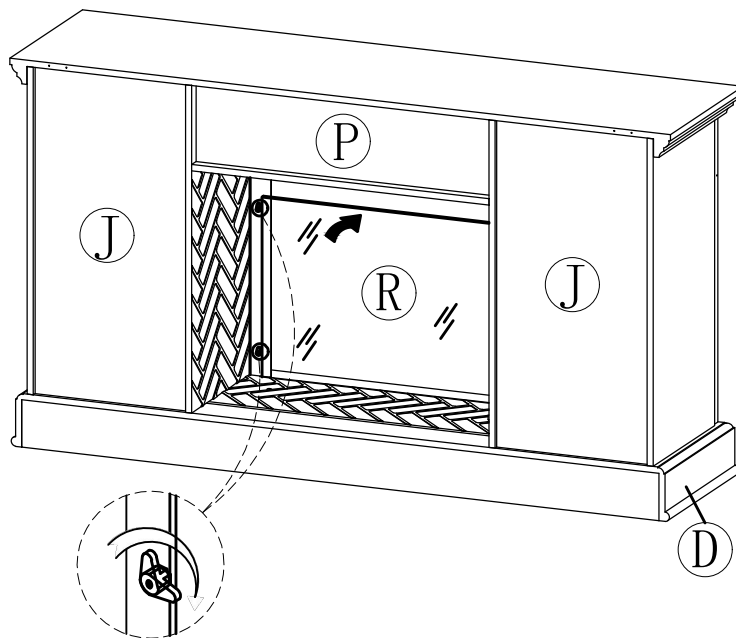
14). ASSEMBLE THE SHELF SUPPORTS

- INSERT 16 SHELF SUPPORTS (16) INTO THE MIDDLE POSITION HOLES OF LEFT SIDE PANEL (B), RIGHT SIDE PANEL (C), LEFT STAND PANEL (E), AND RIGHT STAND PANEL (F) AS SHOWN.



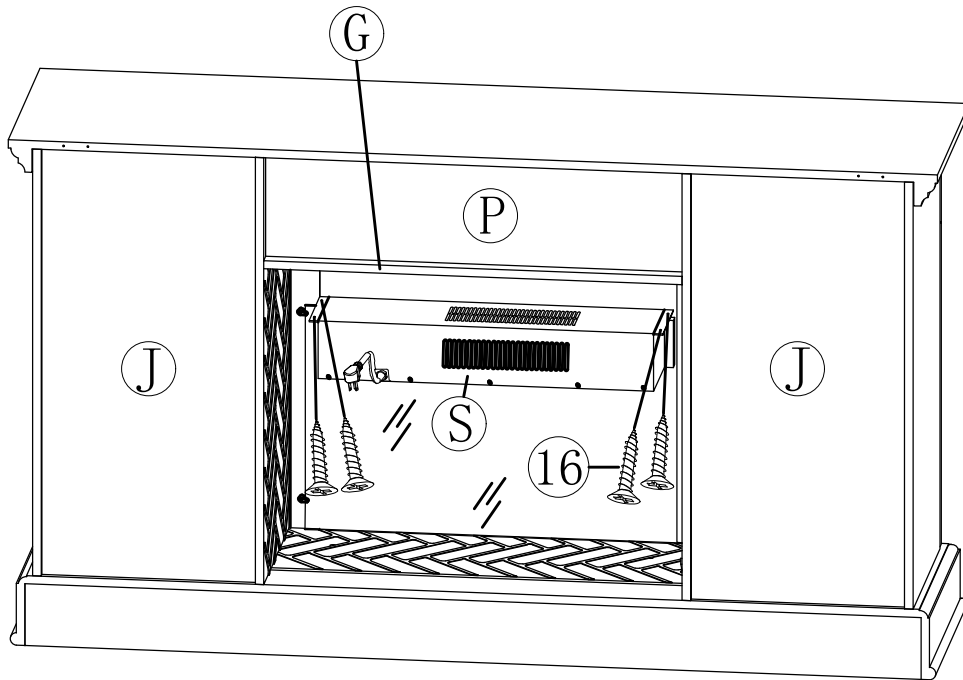
15). ASSEMBLE THE SHELVES (O)

- PLACE 4 SHELF PANELS (O) ONTO THE SHELF SUPPORTS AS SHOWN.



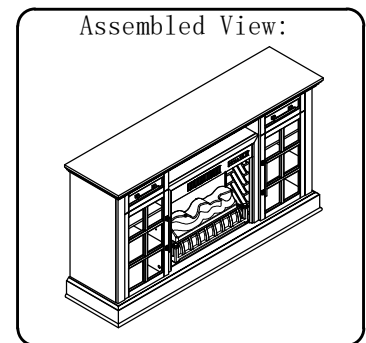
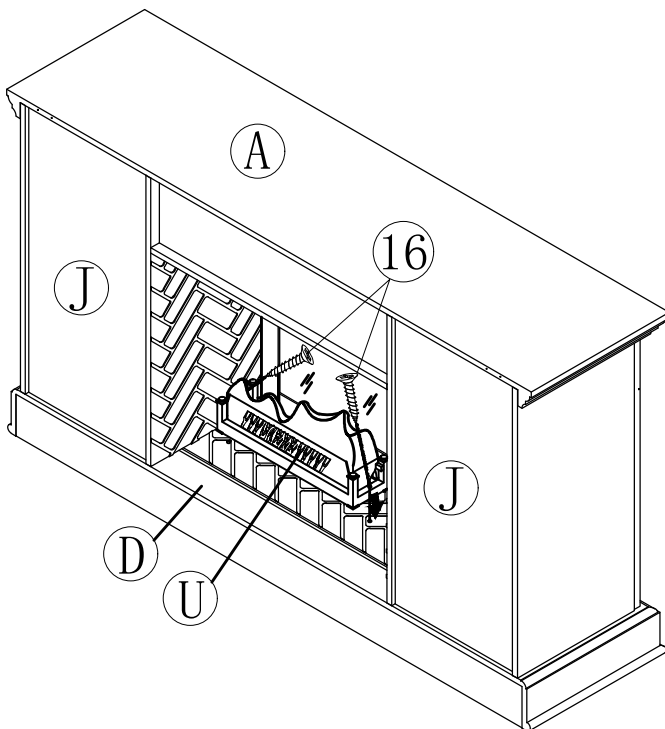
16). INSTALL THE GLASS PANEL (R)

- INSERT GLASS (R) INTO THE GROOVES OF BOTTOM PANEL (D) AND PUSH IT TOWARD THE DECORATIVE FRAME.
- TURN THE PLASTIC CLIPS TO SECURE THE GLASS (R) TO THE DECORATIVE FRAME AS SHOWN.



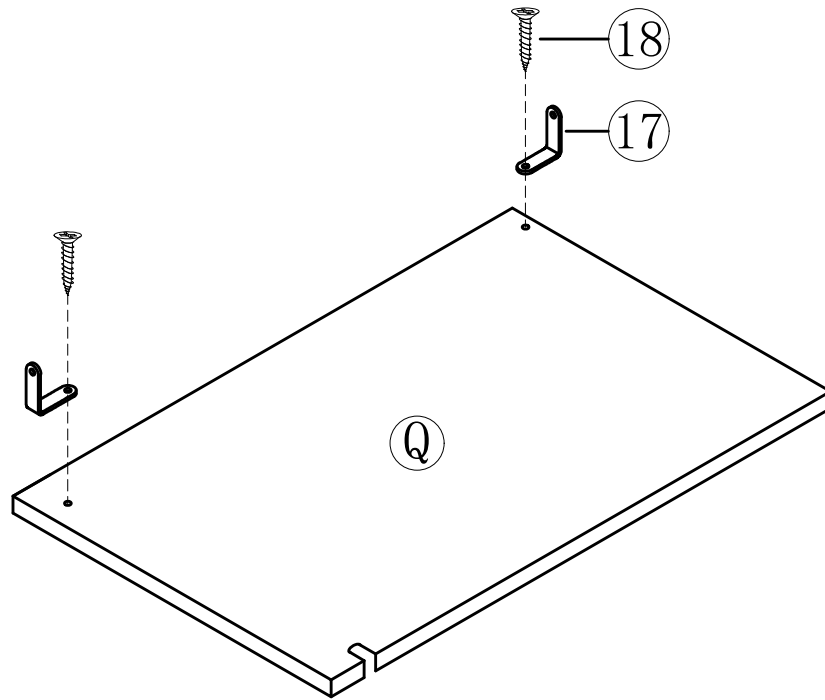
17). INSTALL THE HEATER (S)

- PLACE THE HEATER (S) FROM THE BACK.
- ATTACH THE HEATER (S) TO THE CROSS PANEL (G) USING 4 SCREWS (16) AS SHOWN.



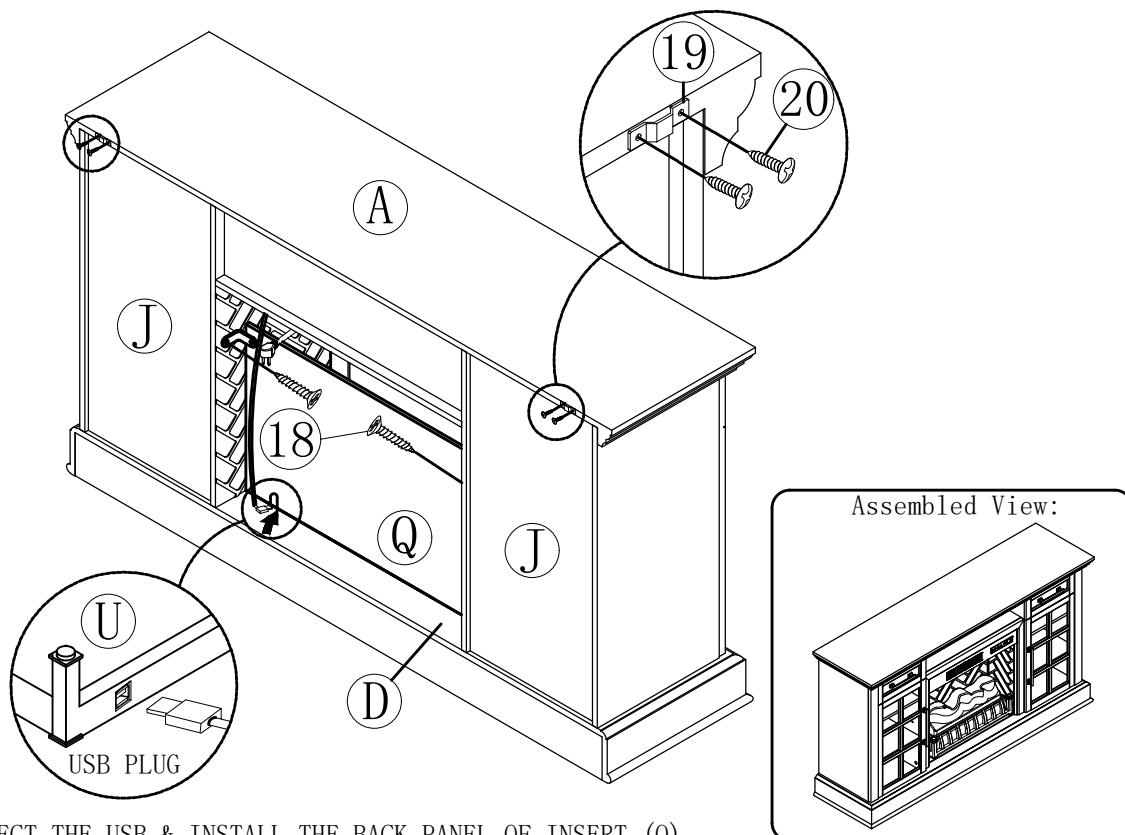
18). INSTALL THE LOGSET (U)

- PLACE THE LOGSET (U) FROM THE BACK AND INSERT IT INTO THE HOLE OF THE BOTTOM PANEL (D).
- ATTACH THE LOGSET (U) TO THE BOTTOM PANEL (D) USING 2 SCREWS (16) AS SHOWN.



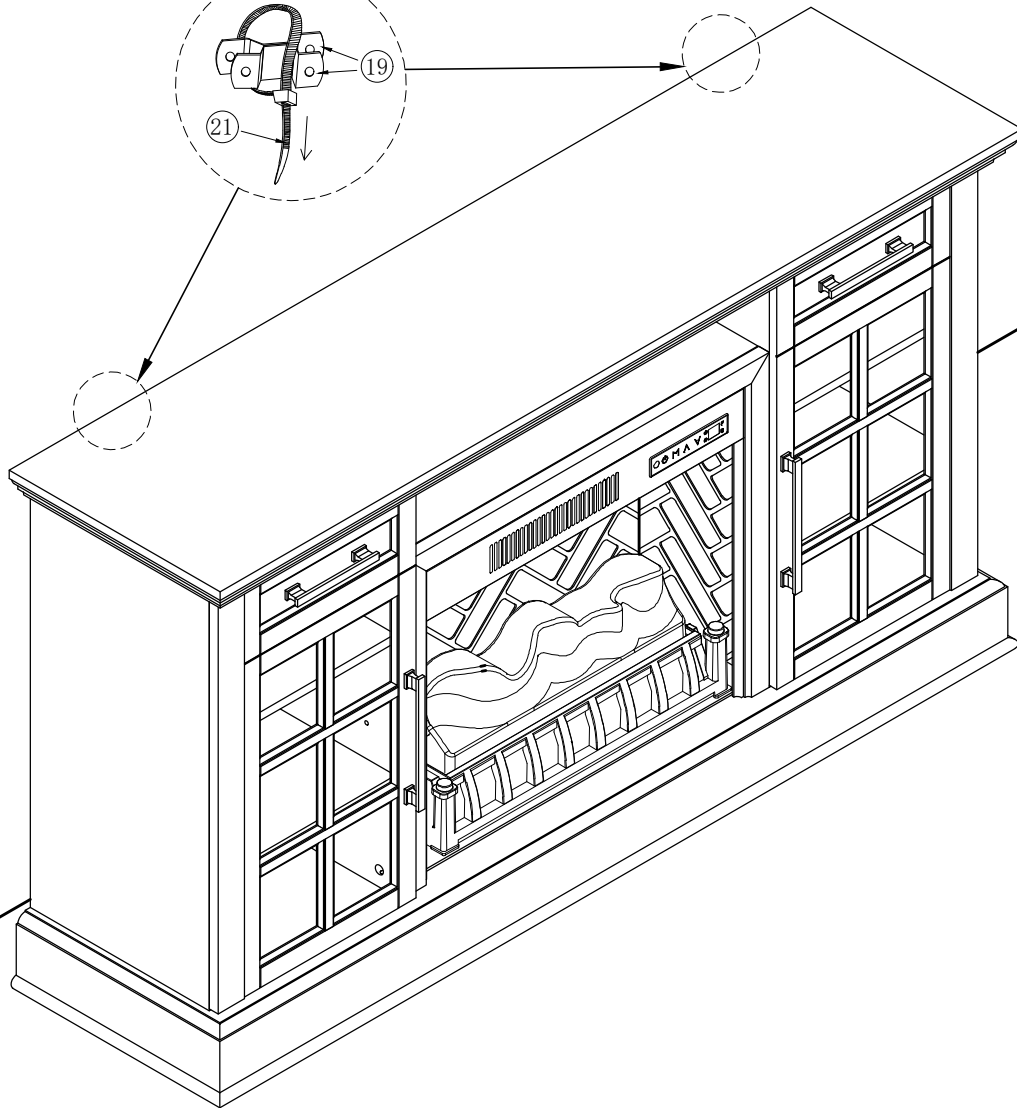
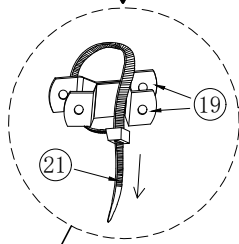
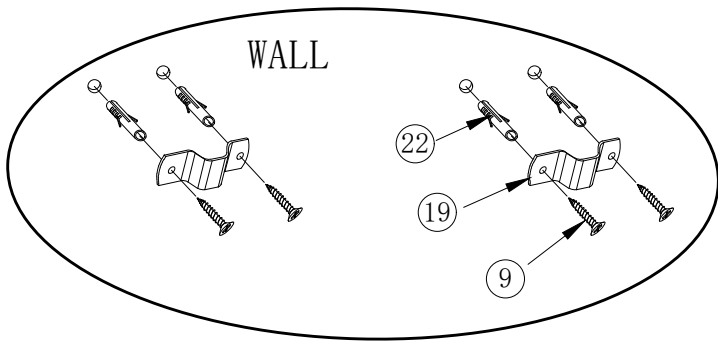
19). ATTACH THE METAL BRACKETS (17)

- ATTACH 2 METAL BRACKETS (17) TO THE BACK PANEL OF INSERT (Q) WITH 2 SCREWS (18) AS SHOWN.



20). CONNECT THE USB & INSTALL THE BACK PANEL OF INSERT (Q)

- CONNECT THE HEATER USB WITH LOGSET (U) AS SHOWN.
- INSERT THE BACK PANEL OF INSERT (Q) INTO THE GROOVES OF THE BOTTOM PANEL (D).
- ATTACH THE INSERT (Q) TO THE STAND PANEL USING 2 SCREWS (18) AS SHOWN.
- ATTACH 2 HOOKS (19) TO THE TOP PANEL (A) USING 4 SCREWS (20).



21). ASSEMBLE THE ANTI-TIP HARDWARE.

- DRILL 4 HOLES INTO THE WALL, PLEASE REFER TO THE REAR TOP FRAME HOLE DISTANCE AND HEIGHT.
- PUT 4 ANCHORS (22) INTO THE HOLES IN THE WALL, AND ROTATE 4 SCREWS (9) INTO THE ANCHORS (22).
- CONNECT THE TWO HOOKS (19) WITH A PLASTIC BELT (21).

# INSTALLATION

Follow the mantel installation in the manual to install the insert into the mantel.

CAUTION- High temperature, risk of fire, keep electrical cords, drapery, furnishings, and other combustibles at least 3 feet (0.9 m) from the front of the heater and away from the side and rear.

To reduce the risk of fire, do not store or use gasoline or other flammable vapors and liquids in the vicinity of the heater.

---

---

## OPERATING INSTRUCTIONS

---

---

Note: Heater must be properly installed before it is used.



**Power Button**

- Pressing the power button on will turn ON or OFF the unit.
- When the unit is in ON mode, the power icon indicator light will be shown green.
- When the unit is in OFF mode, the power icon indicator light will be shown red. When power OFF, unit will be stopped, if heater is working before power OFF the unit, fan will have 20 seconds delay to ensure heat will not be trapped inside the unit.

Note: Each time the unit is plugged in, fan and heater will turn on for 5 seconds for internal check program.

Note: The unit has a memory function with last settings for heating level and flame brightness effect, unless the main power to the unit has been interrupted.



**Mode Button**

- Press the mode button to cycle through the different functions. Each time the mode button is pressed, the mode will enter the next function - Temperature, Timer, Flame Brightness or Flame Speed.

### Temperature Setting

- The temperature mode controls the heater's thermostat setting.
- Press UP Arrow Button or Down Arrow Button to scroll through the pre-set temperature range from 59°F (15°C) to 86°F (30°C), ON&OF (OFF).

- Hold the mode button for 3s, this allows the temperature unit changing from °C to °F or °F to °C. The unit default is °F.

Note: This function is only available if using the control panel.

- When the ambient temperature is higher than the set temperature, heater will turn off automatically.

# OPERATING INSTRUCTIONS

## Timer Setting

- The timer setting should be used to set the countdown for the unit's main power.
- Press Up Arrow Button or Down Arrow Button to adjust the timer setting from 0 hour(0.0) to 9 hours with 0.5 hour interval.

## Log Brightness Setting

- The log brightness mode should be used to set the log brightness.
- Use Up arrow button or Down arrow button to scroll through the log brightness settings: L0 (lowest), L1, L2, L3, L4, L5 (brightest).

## Flame Brightness Setting

- The flame brightness mode should be used to set the flame brightness.
- Use Up arrow button or Down arrow button to scroll through the flame brightness settings: F0 (Flame OFF, only lowest brightest on ember bed), F1, F2, F3, F4, F5 (brightest).

## Flame Color Setting

- The flame brightness mode should be used to set the flame brightness.
- Use Up arrow button or Down arrow button to scroll through the flame brightness settings: C1, C2, C3, C4

Setting	Color
C1	Yellow
C2	Red

Setting	Color
C3	Yellow + Red
C4	Auto Change (Fade In / Fade Out)



### UP Arrow Button

- Use up arrow button to increase the setting of the selected function.



### Down Arrow Button

- Use down arrow button to decrease the setting of the selected function.

## Heater Lock

### Activate Heater Lock

When the unit is ON, hold the POWER button for 10 seconds to activate the Heater Lock function. E3 will be displayed and a beep sounds 3 times to indicate the Heater Lock function has activated, only heater function key is locked. When pressing Heater button E3 will be displayed that indicate the Heater Lock function activate.

### Inactivate Heater Lock

To inactivate the Heater Lock function, hold the POWER button for 10 seconds.

**Note:** Heater lock function is only available if using the control panel.

# CARE AND MAINTENANCE

- ◆ Make sure the unit is turned OFF, unplugged and the heating elements of heater are cool whenever you are cleaning the heater.
- ◆ The heater shall be cleaned monthly, clean the metal trim using a water-dampened soft, clean cloth. DO NOT use brass polish or household cleaners as these products will damage the metal trim.
- ◆ The motors used on the fan and the flame generator assembly are pre-lubricated for extended bearing life and require no further lubrication. However, periodic cleaning/vacuumping of the fan/heater and air intake/output vents is recommended.
- ◆ Any other servicing should be performed by an authorized service representative.

**WARNING: Make sure the power is turned off before proceeding. Any electrical repairs or rewiring of this unit should be carried out by a licensed electrician in accordance with national and local codes.**

**WARNING: If repairing or replacing an electrical component or wiring, the original wire routing, color coding and securing locations must be followed.**

**WARNING: Electrical outlet wiring must comply with local building codes and other applicable regulations to reduce the risk of fire, electrical shock and injury to persons.**

**WARNING: Do not use this fireplace if any part of it has been under water. Immediately call a qualified service technician to inspect the fireplace and replace any part of the electrical system.**

**WARNING: Disconnect power before attempting any maintenance or cleaning to reduce the risk of fire, electrical shock or personal injury.**

**WARNING: During any service of this appliance, the power to the unit must be turned off. First turn the main power switch to the "OFF" position. Then remove the electrical plug from the wall outlet.**

**WARNING: When the heater is not in use, the heater should be stored in a dry location, away from possible damage. The power cord should be stored properly to avoid contact with hot or sharp objects.**



## WARNING

- **INGESTION HAZARD:** This product contains a button cell or coin battery.
- **DEATH** or serious injury can occur if ingested.
- A swallowed button cell or coin battery can cause **Internal Chemical Burns** in as little as **2 hours**.
- **KEEP** new and used batteries **OUT OF REACH OF CHILDREN**
- **Seek immediate medical attention** if a battery is suspected to be swallowed or inserted inside any part of body.



# CARE AND MAINTENANCE

## Replacing the Remote-Control Battery

When the remote control stops operating or its range seems reduced, it is time to replace the battery.

1. The battery compartment is located on the back of the remote control.
2. Press the small tab inward as you slide the battery door open and remove the old battery.
3. Insert a new CR2025(3V) lithium battery(not included), ensure the batteries are installed correctly according to polarity (+ and -).
4. Re-insert the battery door.



**WARNING: Chemical Burn Hazard. Keep Batteries away from Children**

This product contains a lithium button/coin cell battery. If a new or used lithium button/coin cell battery is swallowed or enters the body, it can cause severe internal burns and can lead to death in as little as 2 hours. Always completely secure the battery compartment. If the battery compartment does not close securely, stop using the product, remove the batteries, and keep it away from children. If you think batteries might have been swallowed or placed inside any part of the body, seek immediate medical attention.

Note: Non-rechargeable battery is not to be recharged. Exhausted battery is to be removed from the product. Harmful if swallowed. Do not force discharge, recharge, disassemble, heat above (60°C) or incinerate. Doing so may result in injury due to venting, leakage or explosion resulting in chemical burns.

Even used batteries may cause severe injury or death. Call a local poison control center for treatment information. Remove and immediately recycle or dispose of battery from equipment not used for an extended period of time according to local regulations. Do NOT dispose of batteries in household trash or incinerate.

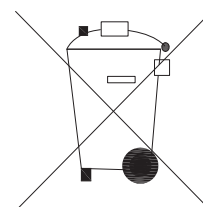
Do not mix old and new batteries, different brands or types of batteries, such as alkaline, carbon-zinc, or rechargeable batteries.

## Disposal of Used Battery

Remove and immediately recycle or dispose of used batteries according to local regulations and keep away from children. Do NOT dispose of batteries in household trash or incinerate.

A battery may contain hazardous substances that could be endangering to environment and human health.

- ◆ This symbol marked on the battery and/or packaging indicates that used battery shall not be treated as municipal waste. Instead it shall be left at the appropriate collection point for recycling.
- ◆ By ensuring the used battery is disposed of correctly, you will help prevent potential negative consequences for the environment and human health. The recycling of materials will help to conserve natural resources.



# CARE AND MAINTENANCE

## TROUBLE SHOOTING GUIDE

PROBLEM	POSSIBLE CAUSE	SOLUTION
1. No power, logs do not glow.	1. The unit does not have power.	1. Check that unit is plugged into a standard 120 volt outlet. Then make sure power is set at "ON" position.
2. E1 displayed on control panel.	2. The overheat protection device has been engaged.	2. Unplug unit, wait 5-10 minutes, then the sensor will reset itself. Plug the unit back in and turn on the heater. If the problem persists, call customer service.
3. E2 displayed on control panel.	3. The ambient temperature sensor is broken or not working correctly.	3. Unplug unit, wait 5-10 minutes, then the sensor will reset itself. Plug the unit back in and turn on the heater. If the problem persists, call customer service.
4. E3 displayed on control panel.	4. Heater lock function activate	4. To inactivate the Heater Lock function, holding the Power button for 10 seconds.
5. Fan motor continues to blow after unit is powered off.	5. Normal operation.	5. This is a standard feature; the blower runs for an additional 20 seconds to ensure heat will not be trapped inside the unit.
6. Power cord gets warm to the touch.	6. Normal operation.	6. This is normal for a heater appliance as it requires more current to operate. Check the connections of the appliance cord and the outlet. Make sure the plug fits tightly into the outlet. During use, check the plug and outlet frequently to determine if it is HOT; if so, discontinue use of the appliance and consult with a qualified electrician to check or change the overheating outlet(s).
7. PCB crashed.	7. No function operates, machine does no response and alarm alerts.	7. Frequently use on/off button repeatedly will trigger the PCB protection, unplug unit and wait for 5-10 minutes, then the sensor will reset itself.