

# ASSEMBLY INSTRUCTIONS


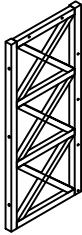
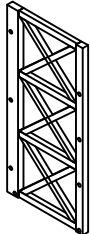
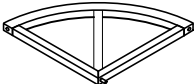
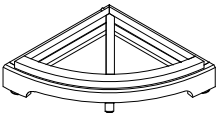


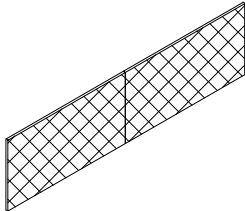
HAMPTON MEADOWS 4 TIER CORNER STORAGE CABINET WITH 4 BASKETS

PRODUCT NO: 7440 / 7457 (CFV1521)


ASSEMBLE ON A FLAT, PROTECTED SURFACE.

PHILLIPS HEAD SCREWDRIVER NEEDED FOR ASSEMBLY; NOT PROVIDED.

## PARTS LIST

No.	FIGURE	QTY	DESCRIPTION
A		1	TABLE TOP
B		1	RIGHT SIDE FRAME
C		1	LEFT SIDE FRAME
D		3	SHELF FRAME
E		1	BOTTOM BASE
F		4	BASKET BOTTOM
G		4	BASKET FRONT
H		4	BASKET LEFT AND RIGHT

## HARDWARE LIST

No.	FIGURE	QTY	DESCRIPTION
1		15	Bolt- 3/16" x 35mm Flat Washer - 3/16" dia

# ASSEMBLY INSTRUCTIONS

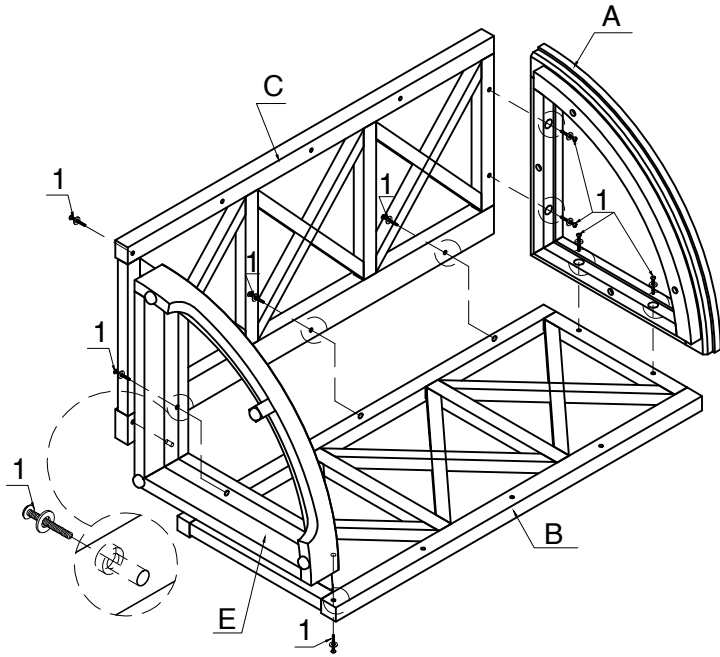
HAMPTON MEADOWS 4 TIER CORNER STORAGE CABINET WITH 4 BASKETS

PRODUCT NO: 7440 / 7457 (CFV1521)

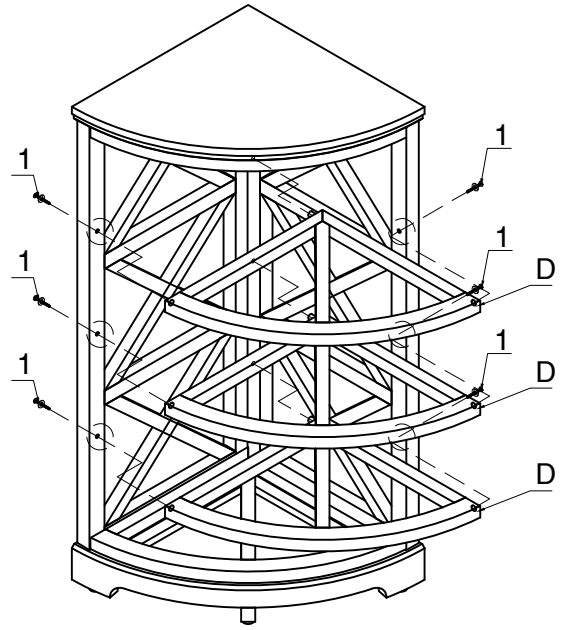
ASSEMBLE ON A FLAT, PROTECTED SURFACE.

PHILLIPS HEAD SCREWDRIVER NEEDED FOR ASSEMBLY; NOT PROVIDED.

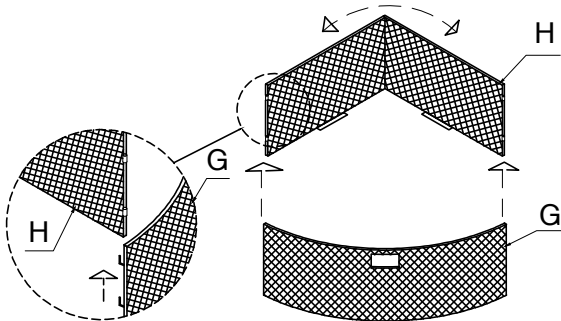
## STEP 1



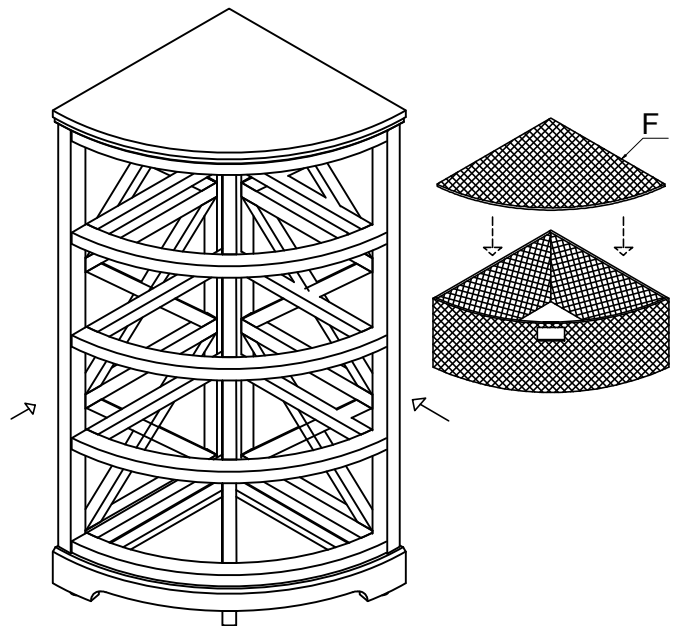
## STEP 2



## STEP 3



## STEP 4:



# ASSEMBLY INSTRUCTIONS

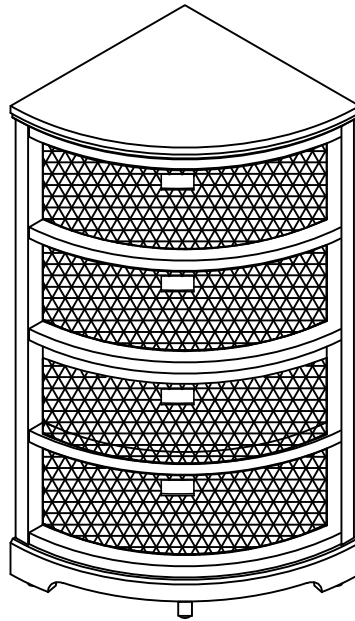
HAMPTON MEADOWS 4 TIER CORNER STORAGE CABINET WITH 4 BASKETS

PRODUCT NO: 7440 / 7457 (CFV1521)

ASSEMBLE ON A FLAT, PROTECTED SURFACE.

PHILLIPS HEAD SCREWDRIVER NEEDED FOR ASSEMBLY; NOT PROVIDED.

## STEP 5



### IMPORTANT NOTES:

- PLACE ALL WOODEN PARTS ON A CLEAN AND SMOOTH SURFACE TO AVOID SCRATCHING.
- KINDLY FOLLOW THE ASSEMBLY INSTRUCTION STEP BY STEP.
- WE RECOMMEND THAT YOU PERIODICALLY TIGHTEN ALL BOLTS/SCREWS. PLEASE MAKE SURE ALL BOLTS/SCREWS ARE PLACED IN THEIR PROPER POSITION AND ARE TIGHTENED SECURELY TO ENSURE YOUR SAFETY.
- WEIGHT RESTRICTION: TOP: 25 LBS, BASKET: 15 LBS.
- DO NOT STAND OR CLIMB ON THE TOWER.
- NOT FOR COMMERCIAL USE.

\*In case you need any extra parts, please feel free to contact us directly instead of returning your order, we will be more than happy to help you within a business day.

CHICAGO STOOL & CHAIR INC.

1230 St. Charles Street, Elgin, IL60120, USA

Tel#847-2899955

Fax#847-2899911

Email: [service@ehemco.com](mailto:service@ehemco.com)

[www.eHemco.com](http://www.eHemco.com)

VERSION: NOV 01, 24