










Assembly Instructions

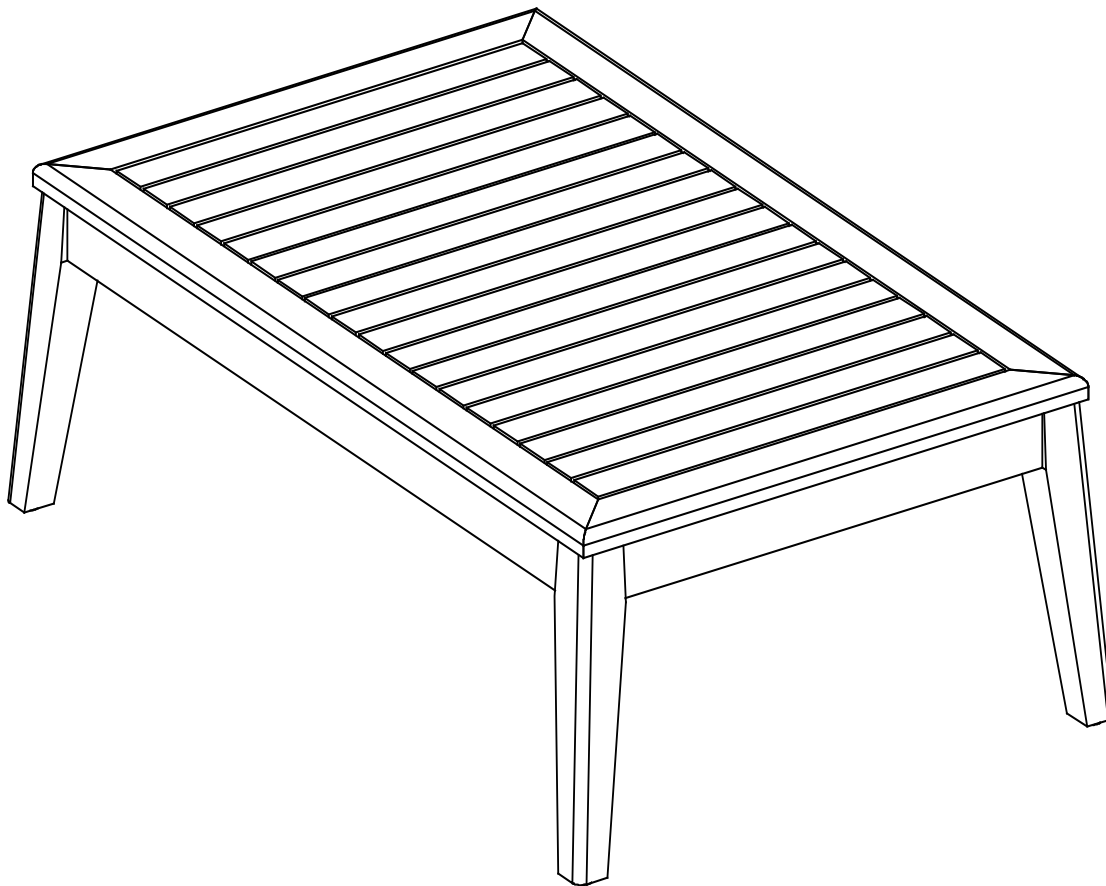
Caution : You must read these Assembly Instructions before you proceed

Care & Maintenance

-  ● Not for commercial use. For residential use only.
-  ● Do not put hot items directly on furniture surface.
-  ● Do not clean furniture with harsh cleansers or polish.
-  ● To obtain the longest lifespan of your outdoor products, minimizing exposure to direct sunlight is recommended.
-  ● Children should not climb or jump on the furniture.
-  ● Do not write on furniture without a padded barrier to protect the surface.
-  ● To obtain the longest lifespan of your outdoor products, avoid extended and lengthy exposure to rain, snow, and direct sunshine. Whenever possible cover the product and /or place under patio or awnings.
-  ● Stains may be removed with mild soap solution and damp cloth.
-  ● Dust and pick-up spills using a clean, non-colored, lint-free cloth.

Please look on the Top Panel for hardware packs

COFFEE TABLE

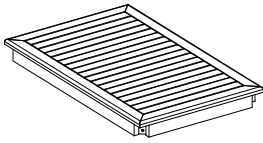



CAUTION: This Table is NOT a TOY.

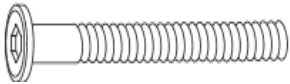


Keep your child / children at bay during the assembly process.

For moving the Sun Lounger and to prevent damage to the Table, One adults may be needed to execute this action.

Parts List

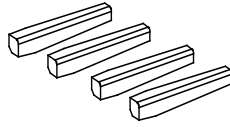
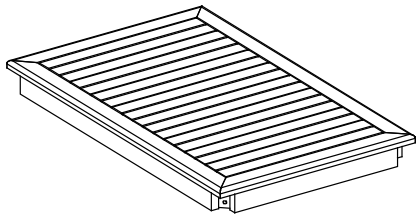
Label	Picture	Description	QTY
O		Table Top	1
P		Legs	4

Hardware

Label	Picture	Description	QTY
⑧		Bolts (M8 x 60mm)	9
⑨		Flat Washers (D20xT2mm)	9
⑩		Allen Wrench	1

Assembly Preparation

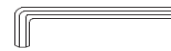
Before Beginning Assembly:



x9



x9



x1



- Read instructions, cover to cover-



- Have 2 adults on hand for assembly-



- Do not assemble on flooring or carpet-



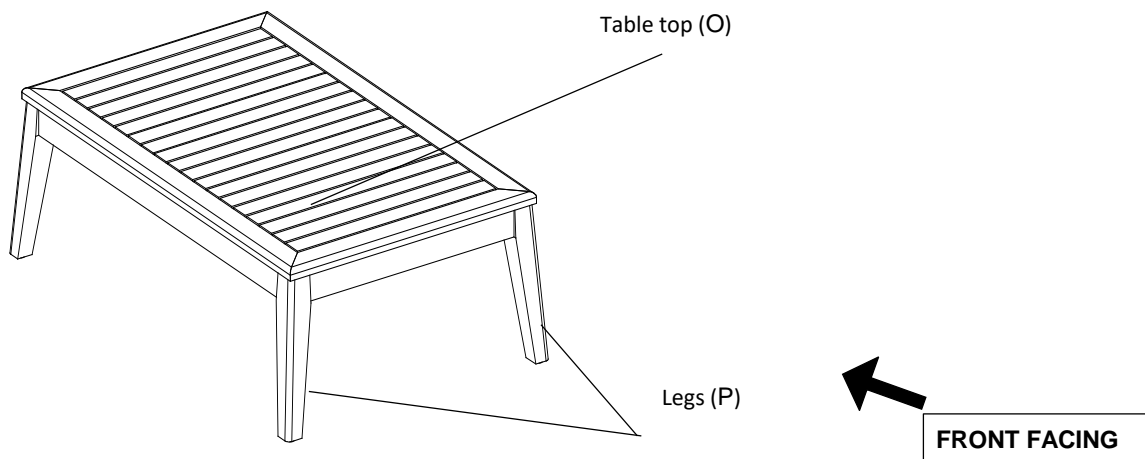
- Assemble on a clean non-marring surface (packing foam)-



- Save all packaging until finished-

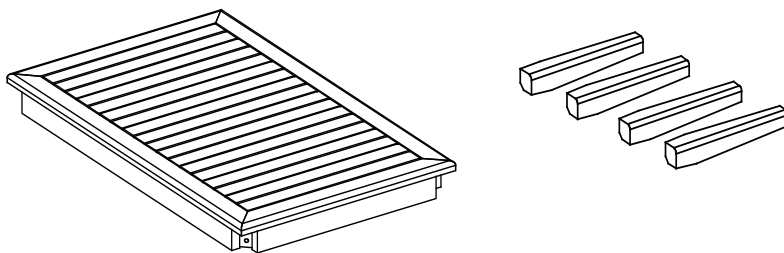
Assembly Steps

OVERVIEW



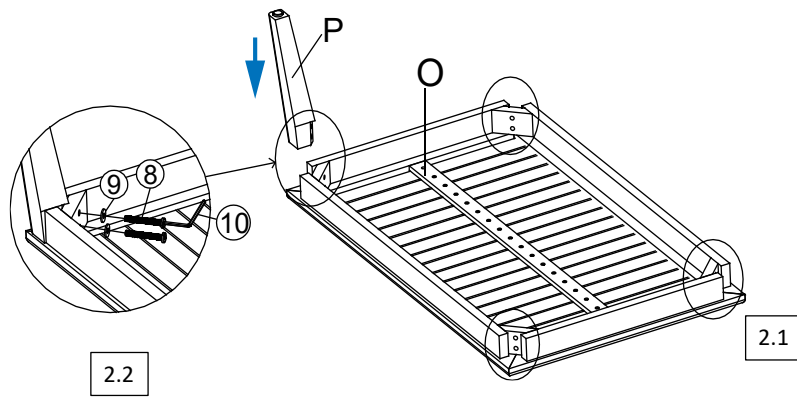
This Sun Lounger has multiple parts and may require up to some 30 minutes to assemble. To give you an overview of the Sun Lounger parts, the above picture is to help you put the various parts into perspective. Please read through the instructions below to familiarise yourself with the parts and steps before assembly.

Step 1



Unpack and place all parts on a clean, non-marring surface.

Step 2



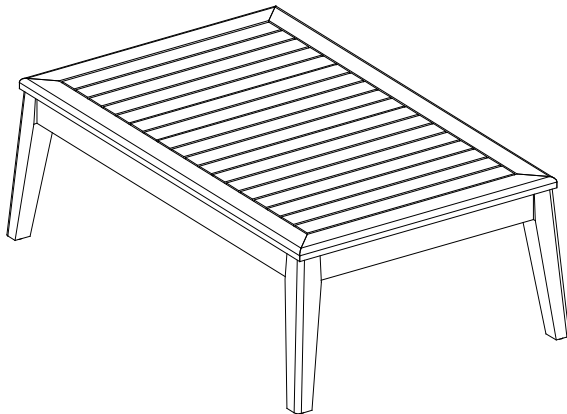
2.1) Turn the Table top (O) up side down as shown in picture above.

2.2) Attach the Leg (P) to by using Bolts (8), Flat washer (9) and Allen Wrench (10) as shown in picture above.

Repeat the same process to attach the 3 remaining Leg (P). into the Table Top (O).

Do not fully tighten the Bolts.

Step 3



Turn the Table back to normal flat ground

EXERT pressure, floorwards, onto the Table.

This pressure will help the Legs and Table Top reach alignment at all joints.

Check for wobbles.

In a sequential manner, gradually tighten all Bolts/Screws until evenly secured.

Inspect the Table and make sure all parts are adequately connected.

Your Table is ready for use.

This Table can only be used on a flat, level surface.