

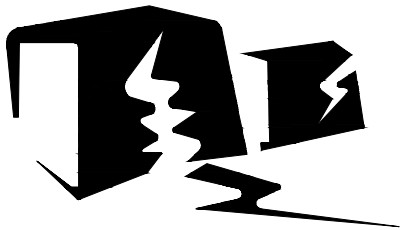


2 ADULTS ASSEMBLY REQUIRED
Se necesitan dos adultos para ensamblar

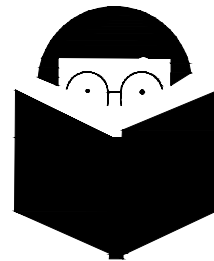
BUYING TIPS



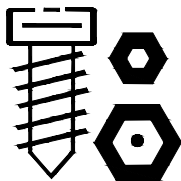
If you have any questions below, please feel free to contact us. We will respond within 24 hours.



ANY DAMAGE



READ INSTRUCTIONS
CAREFULLY



MISS SOME PARTS

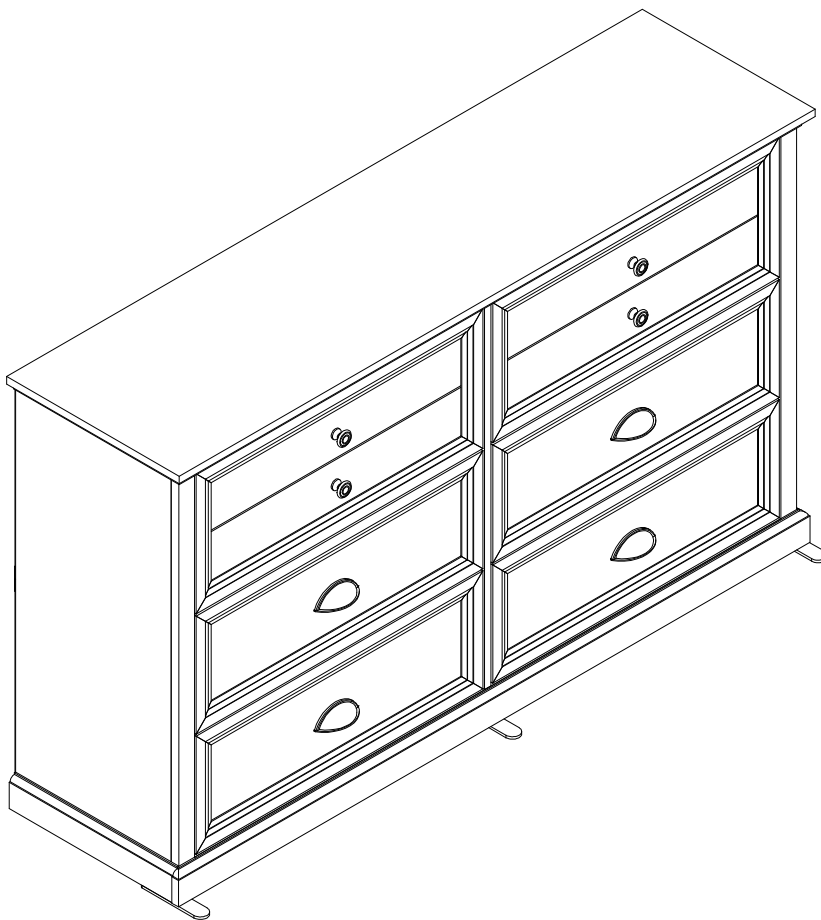


OTHER QUESTIONS

GENERAL INFORMATION, TIPS AND TRICKS

1. Please read the Assembly Instructions prior to assembling this product.
2. Remove all hardware from the box and sort by size.
3. Check to see that all hardware and parts are present BEFORE assembling.
4. Ask a friend to assist you with the assembly of this furniture.
5. To avoid damage, assemble the product on a sturdy, level and protective surface.
6. Please wait until all steps are completed before fully tightening bolts.
7. Make sure all screws and bolts are tightly fastened before the unit is used.

MAXIMUM RECOMMENDED WEIGHT LOADS



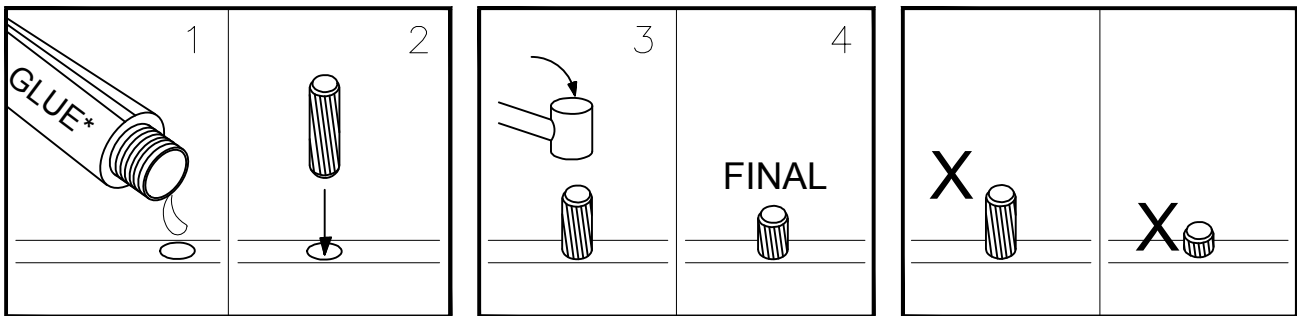
THIS UNIT IS INTENDED ONLY FOR USE WITHIN THE MAXIMUM WEIGHTS INDICATED. USE WITH LOAD HEAVIER THAN THE MAXIMUM WEIGHTS INDICATED MAY RESULT IN INSTABILITY, CAUSING POSSIBLE INJURY.

IMPORTANT

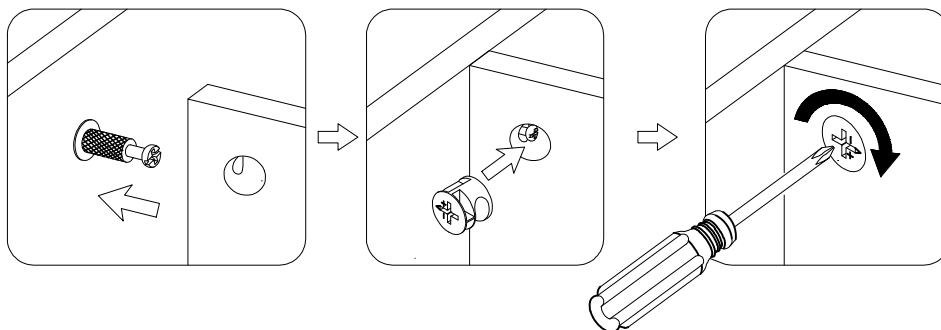
Before you begin: Open, identify and count all parts prior to assembly. Lay out parts on a flat and non-abrasive surface.

NOTE: IT IS VERY IMPORTANT TO USE GLUE WITH THE DOWELS. EXCESS GLUE CAN BE WIPED OFF WITH A DAMP CLOT.

Insert Dowel at least half way by tapping lightly with a rubber mallet (not included), IF NECESSARY.



CAM LOCK SYSTEM OPERATION

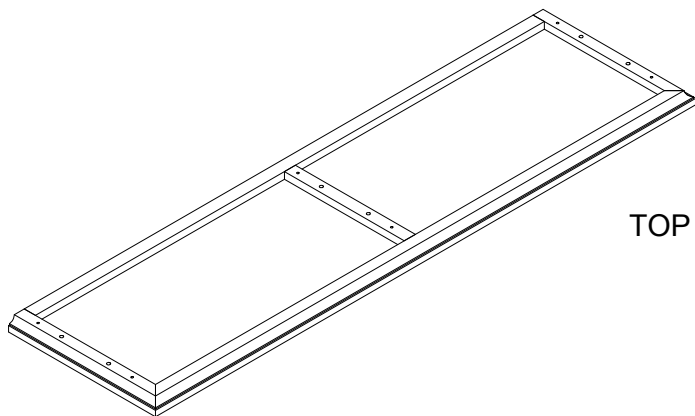


HOW THE KNOCK DOWN (KD) ASSEMBLY SYSTEM WORKS

1. Screw the Cam Bolt into the pre-drilled small holes on the panel. Connect both panels together; making sure the Cam Bolt goes into the pre-drilled hole at the end of the panel with the Cam Lock.
2. Insert the Cam Lock into the pre-drilled large hole in the panel. Make sure the arrow on the Cam Lock is pointed towards the Cam Bolt.
3. Once the Cam Bolt is connected inside the Cam Lock, take a Phillips screwdriver (not included) and tighten the Cam Lock clockwise.

BOARD IDENTIFICATION-1

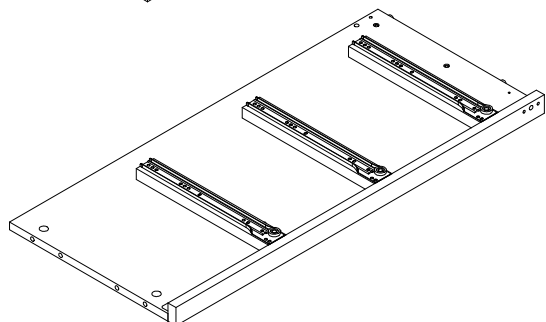
①



TOP PANEL

1 PC

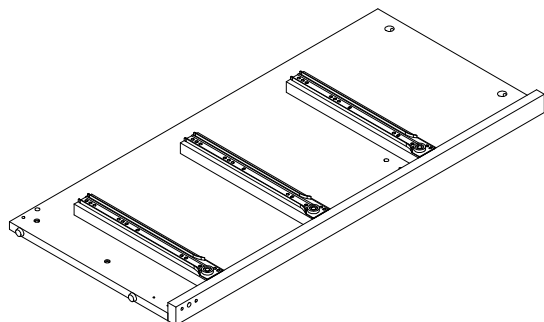
②



LEFT SIDE PANEL

1 PC

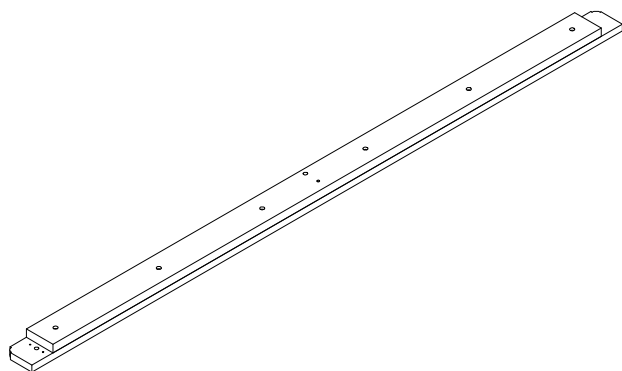
③



RIGHT SIDE PANEL

1 PC

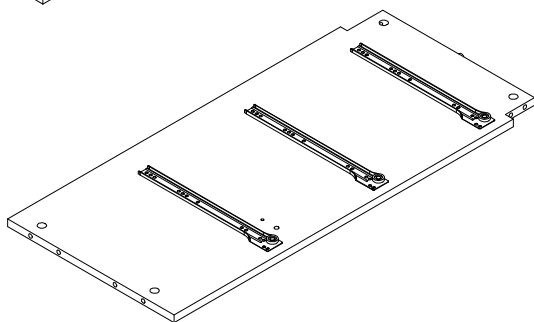
④



BOTTOM FRONT CROSSBAR

1 PC

⑤

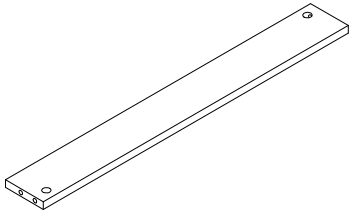


MIDDLE SIDE PANEL

1 PC

BOARD IDENTIFICATION-2

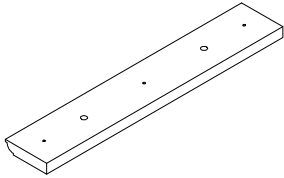
⑥



MIDDLE CROSSBAR

2 PCS

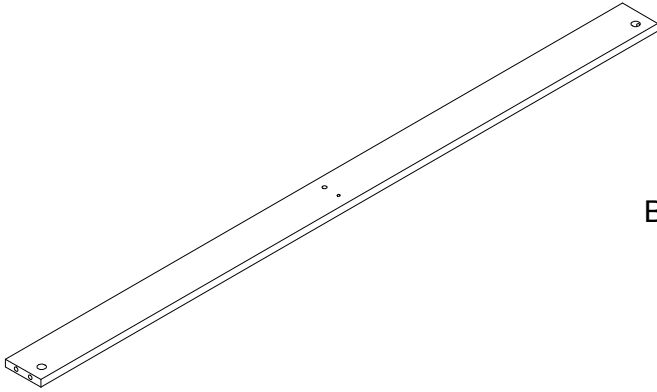
⑦



SIDE CROSSBAR

2 PCS

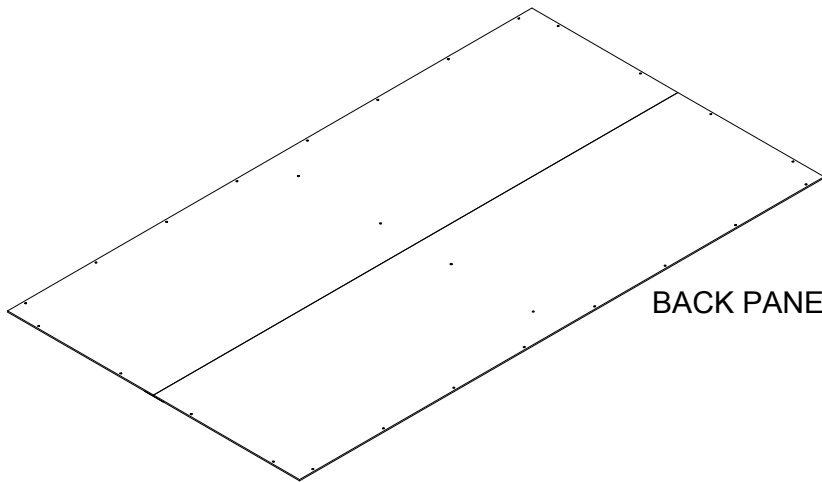
⑧



BACK CROSSBAR

1 PC

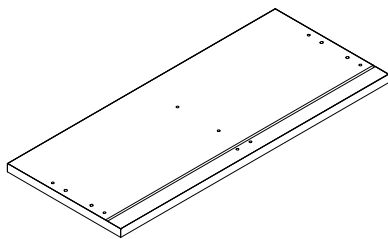
⑨



BACK PANEL

1 PC

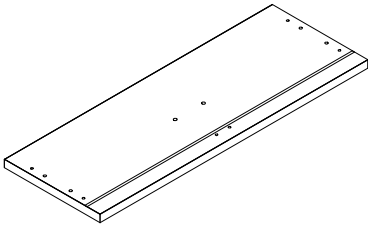
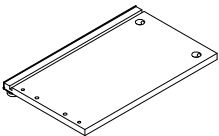
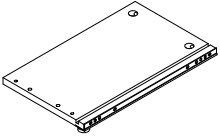
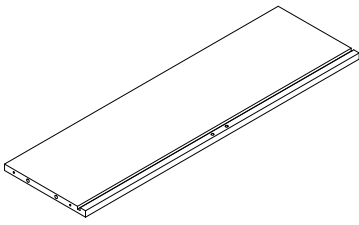
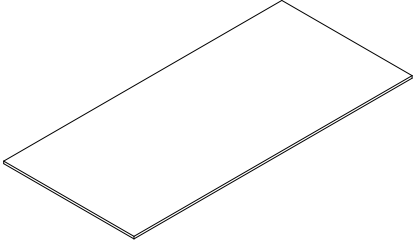
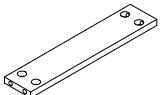
⑩



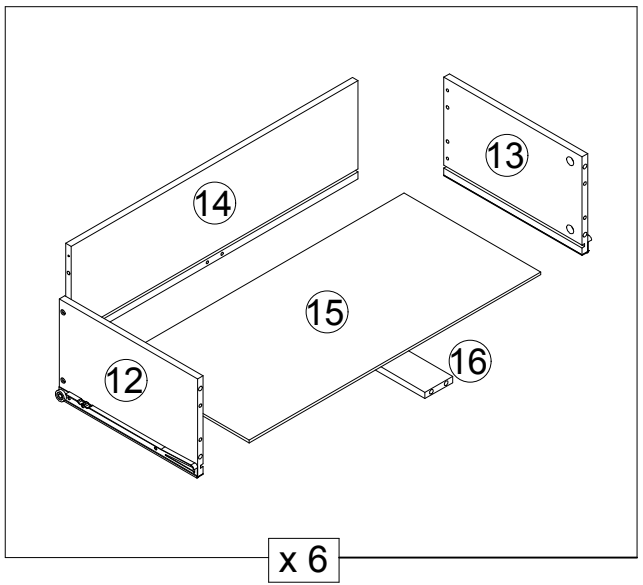
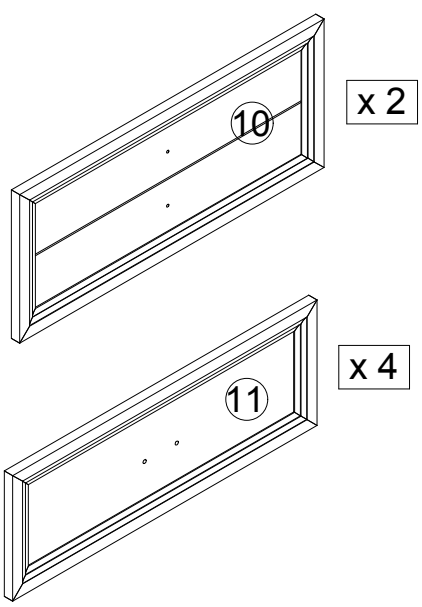
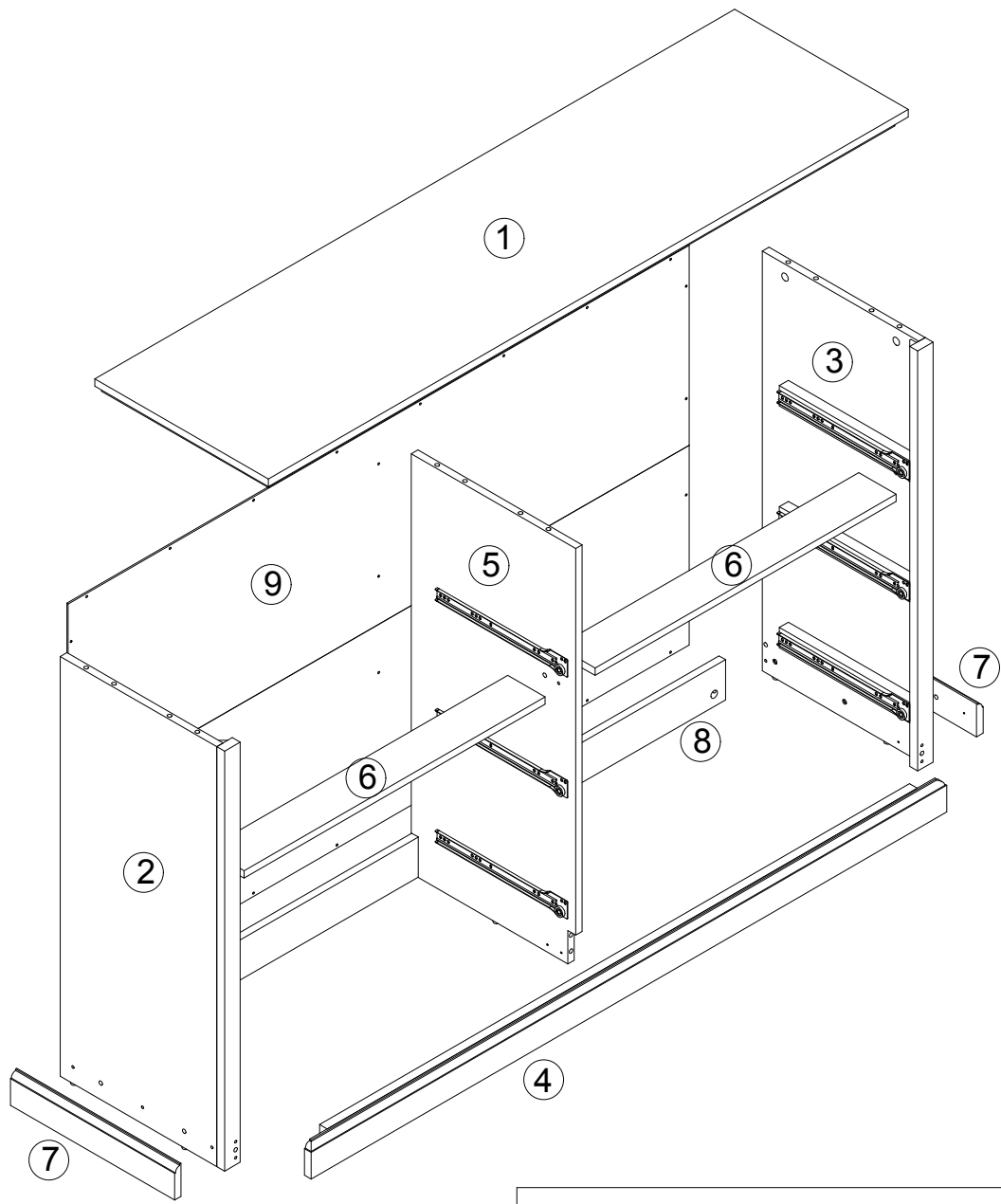
DRAWER FRONT PANEL

2 PCS

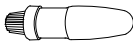
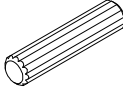
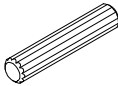




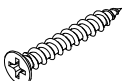


BOARD IDENTIFICATION-3

11		DRAWER FRONT PANEL	4 PCS
12		LEFT DRAWER PANEL	6 PCS
13		RIGHT DRAWER PANEL	6 PCS
14		DRAWER BACK PANEL	6 PCS
15		DRAWER BOTTOM PANEL	6 PCS
16		DRAWER BOTTOM SUPPORT	6 PCS

BOARD IDENTIFICATION



HARDWARE IDENTIFICATION-1

A		GLUE	2 PCS
B		WOODEN DOWEL Ø8 x 30mm	14 PCS
C		WOODEN DOWEL Ø6 x 30mm	48 PCS
D		WOODEN DOWEL Ø8 x 20mm	6 PCS
E		CAM LOCK Ø15 x 9mm	62 PCS
F		CAM SCREW Ø7 x 34mm	62 PCS
G		HANDLE	4 PCS
H		HANDLE BOLT 5/32" x 12mm	8 PCS
I		FLAT HEAD SCREW Ø4 x 25mm	6 PCS
J		FLAT HEAD SCREW Ø4 x 30mm	28 PCS
K		WOOD SCREW Ø3.5 x 16mm	28 PCS
L		WOOD SCREW Ø4 x 16mm	6 PCS

HARDWARE IDENTIFICATION-1

M



HANDLE

4 PCS

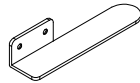
N



HANDLE BOLT 5/32" x 21mm

4 PCS

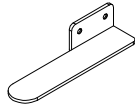
AA



L-SHAPE METAL

1 PC

BB



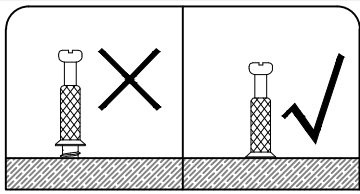
L-SHAPE METAL

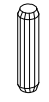

2 PCS

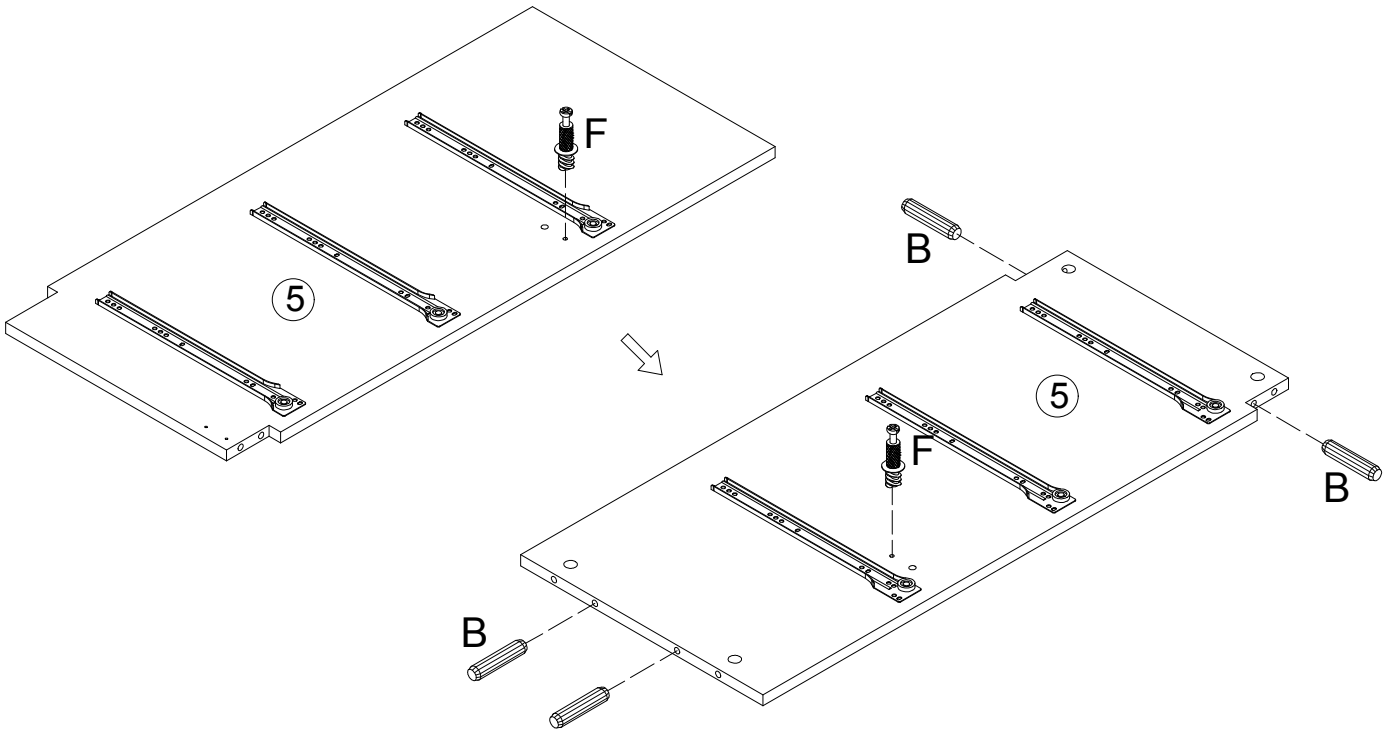
WALL MOUNTING KIT

	Metal	4
	Steel cable	2
	Short screw Ø4*20mm	2
	Long screw Ø4*38mm	2
	Drywall anchor	2

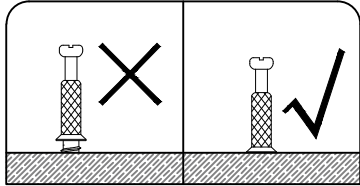
STEP 1



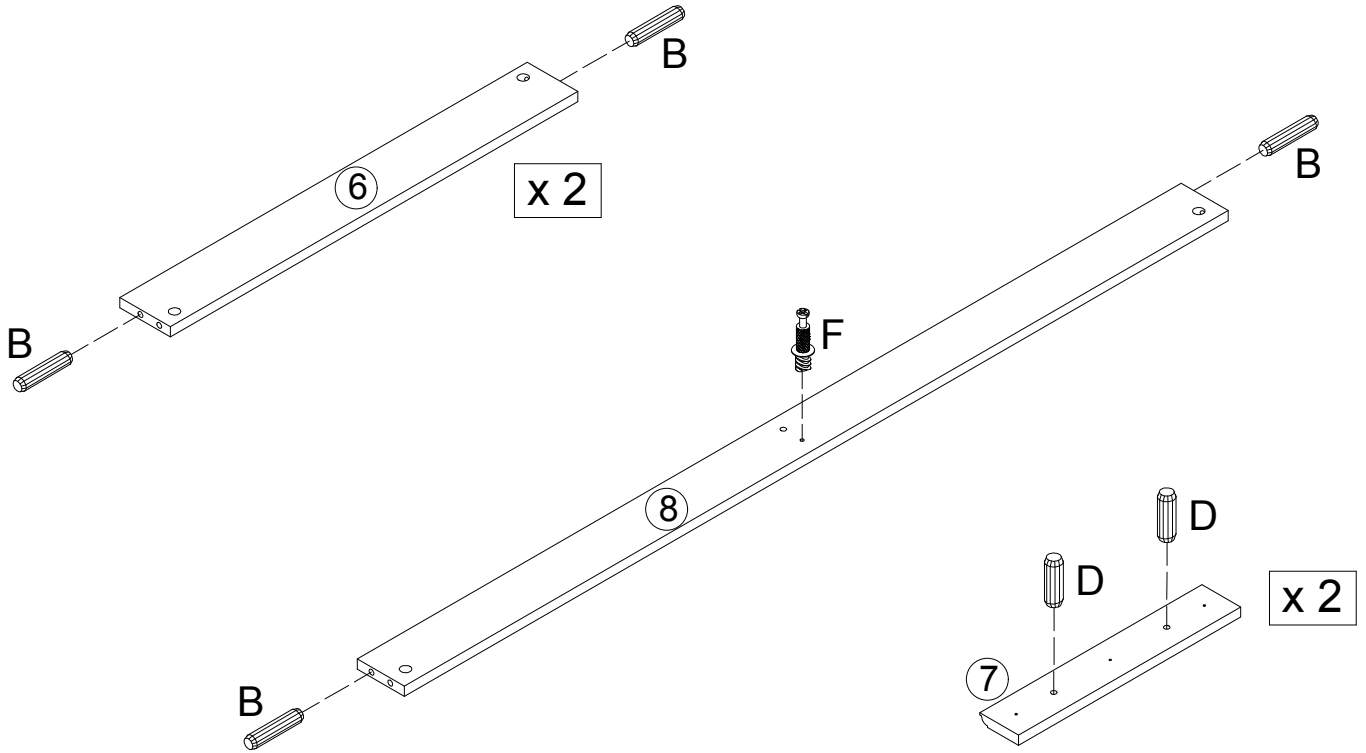
- | | | | |
|------------|--|------------|--|
| B |  | F |  |
| 4 x | | 2 x | |



STEP 2

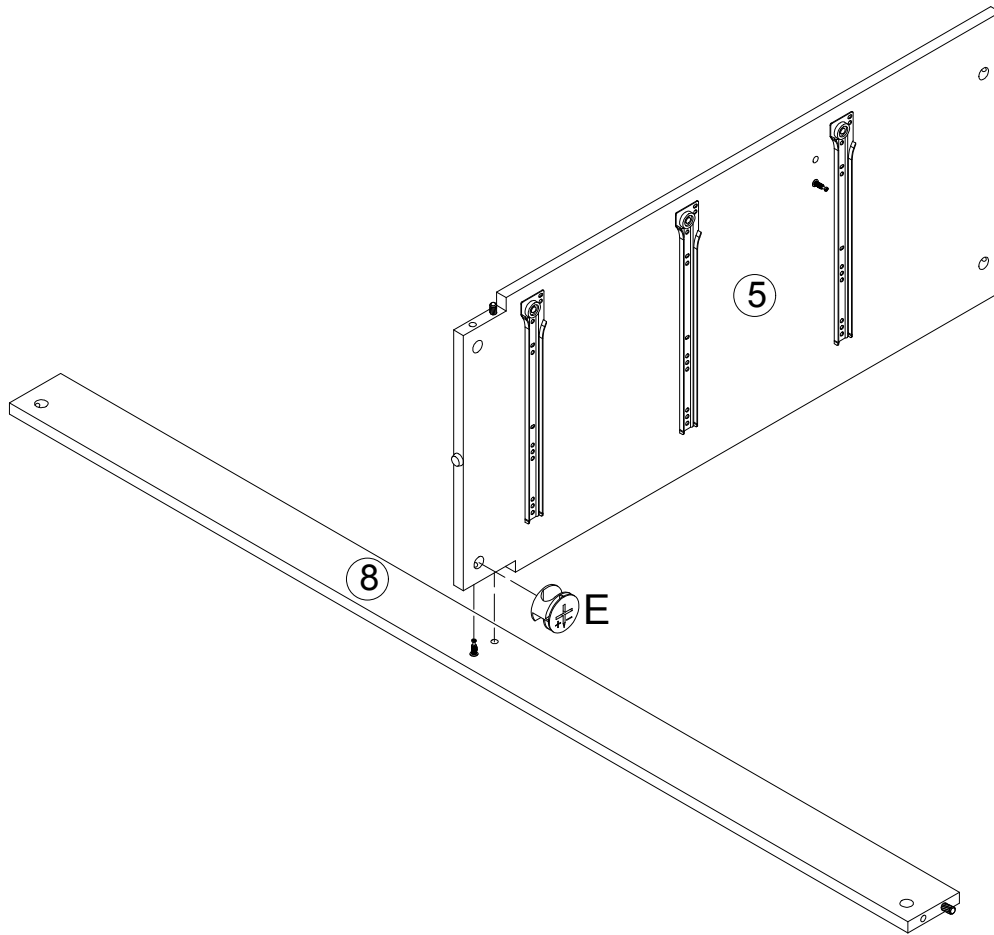
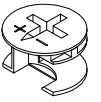


- | | | | | | |
|------------|---|------------|---|------------|---|
| B |  | F |  | D |  |
| 6 x | | 1 x | | 4 x | |



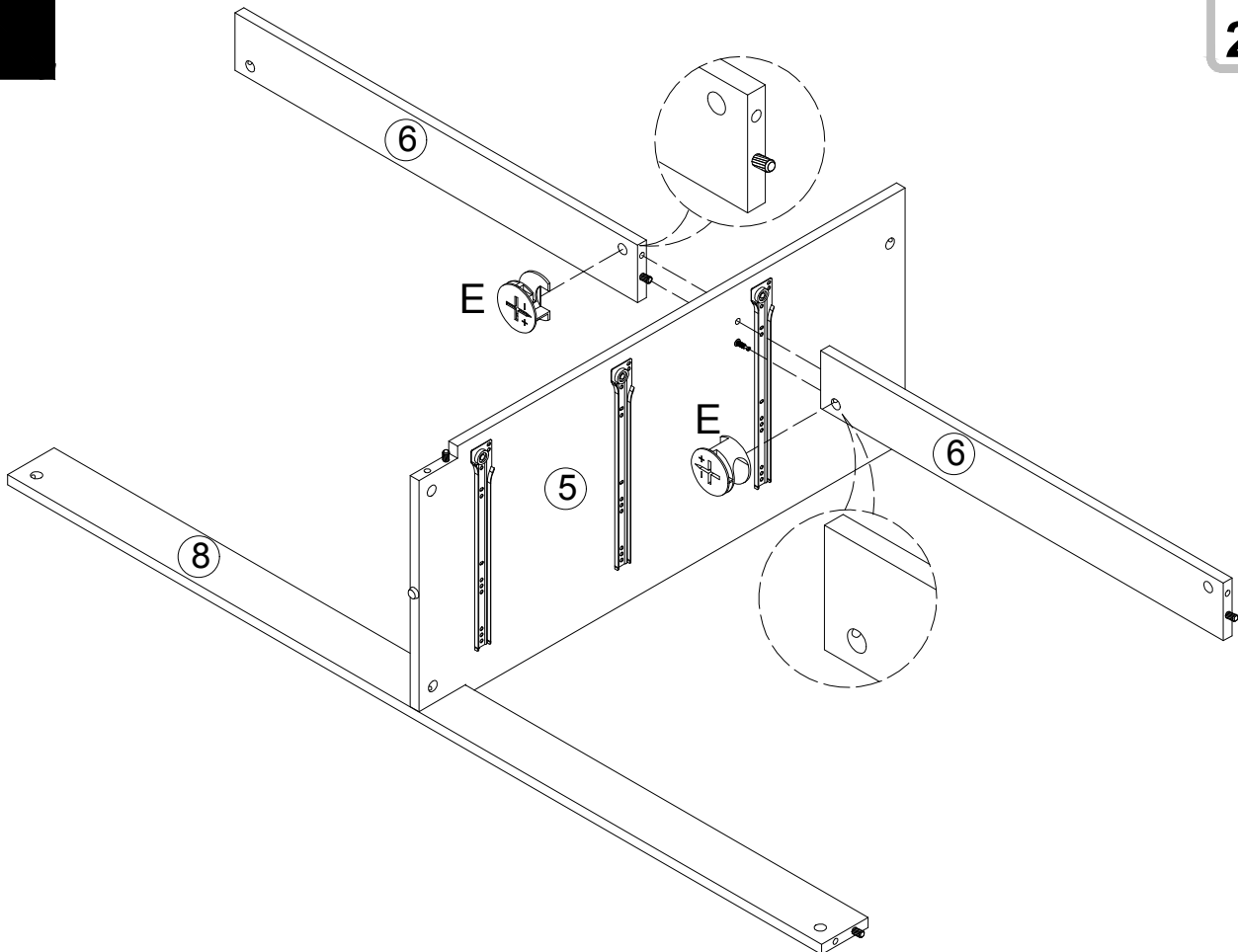
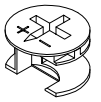
STEP
3

E
1 x

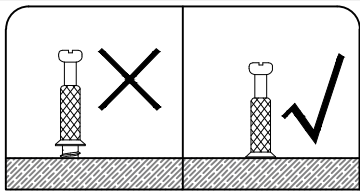


STEP
4

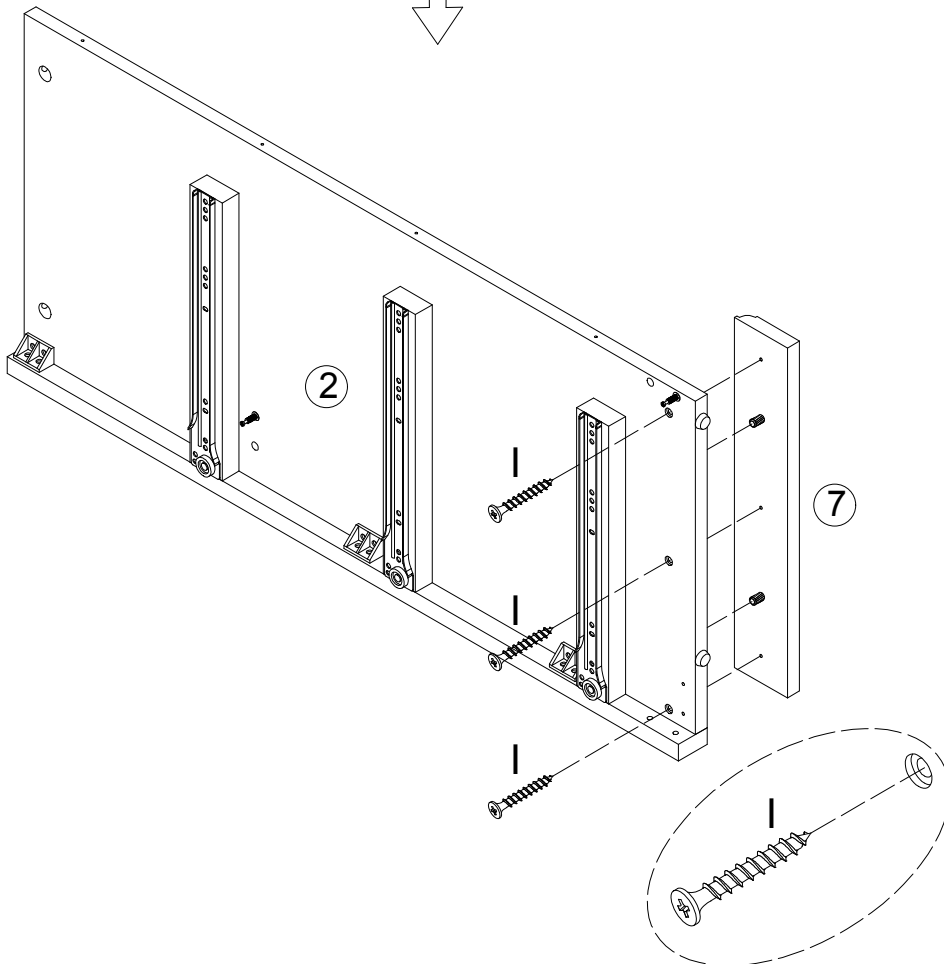
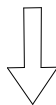
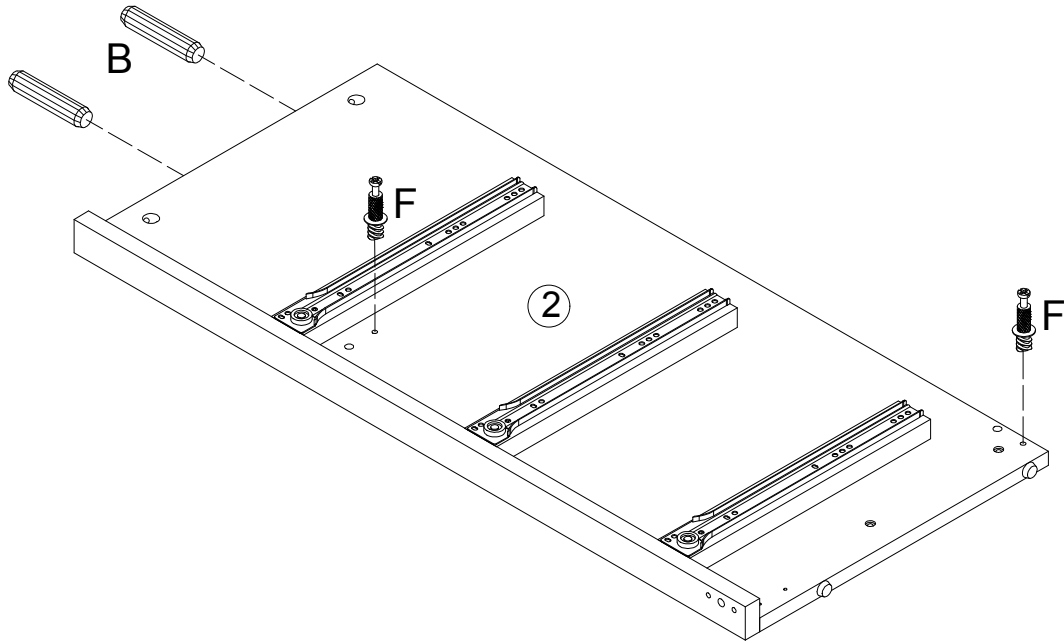
E
2 x



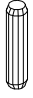


STEP
5

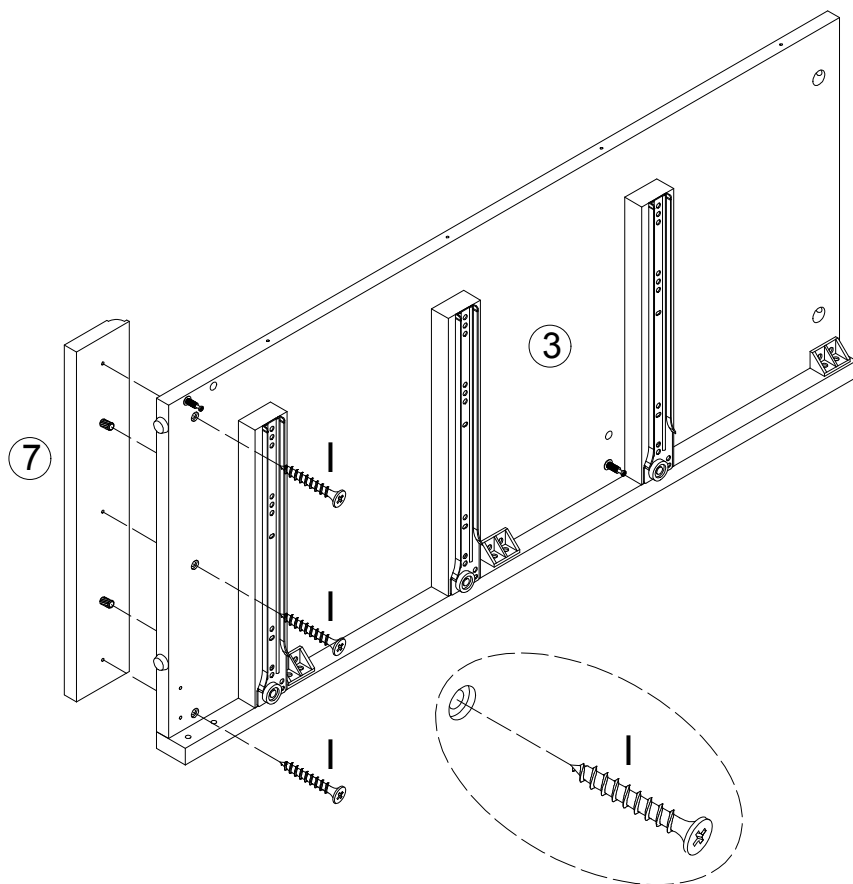
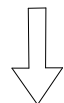
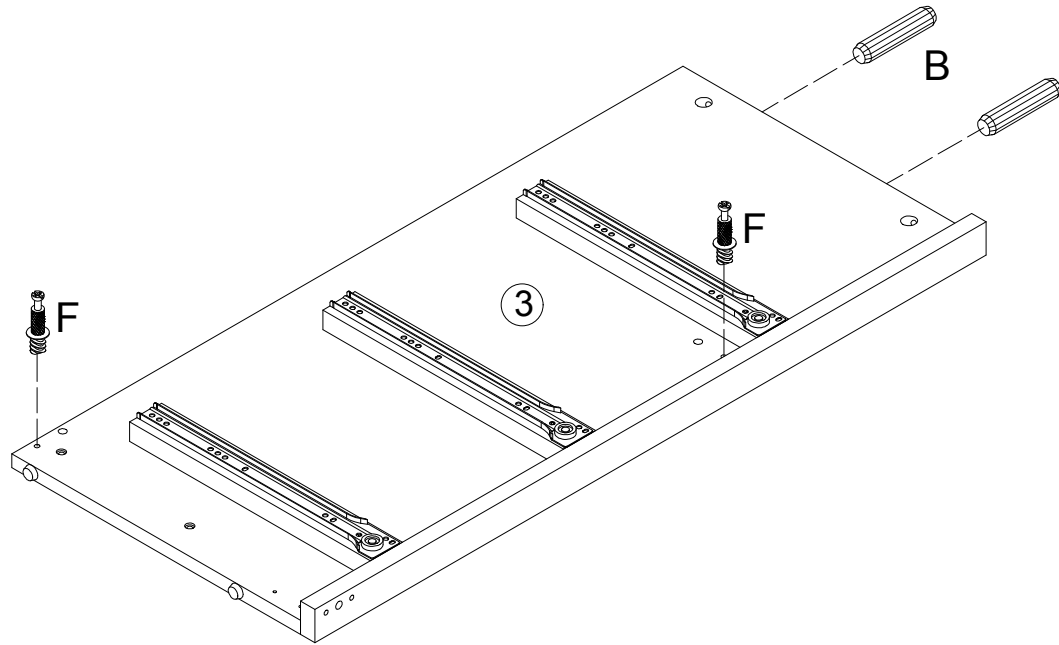


B		F		I	
2 x		2 x		3 x	



STEP
6

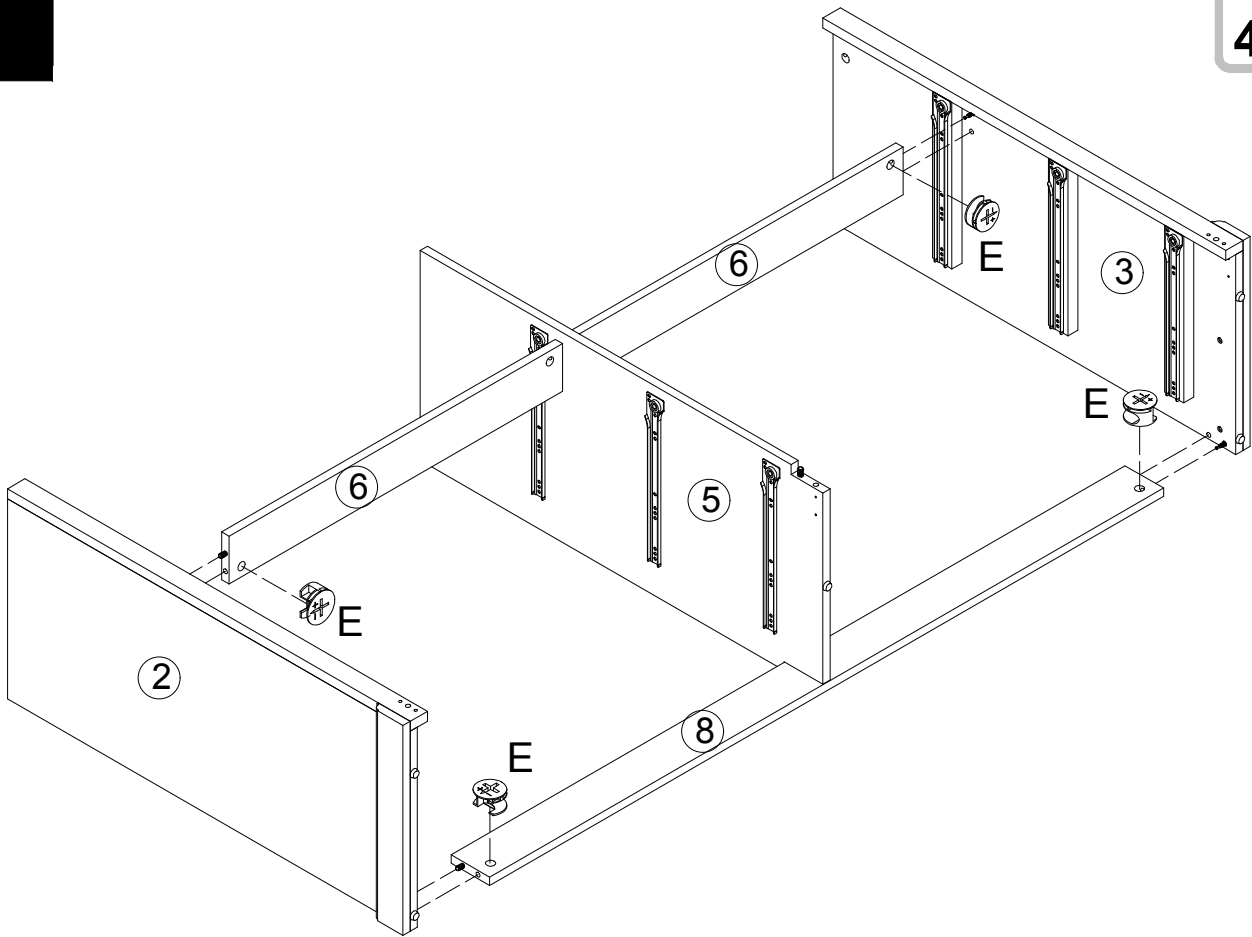
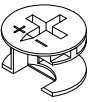
- | | | | | | |
|------------|--|------------|--|------------|--|
| B |  | F |  | I |  |
| 2 x | | 2 x | | 3 x | |



STEP
7

E

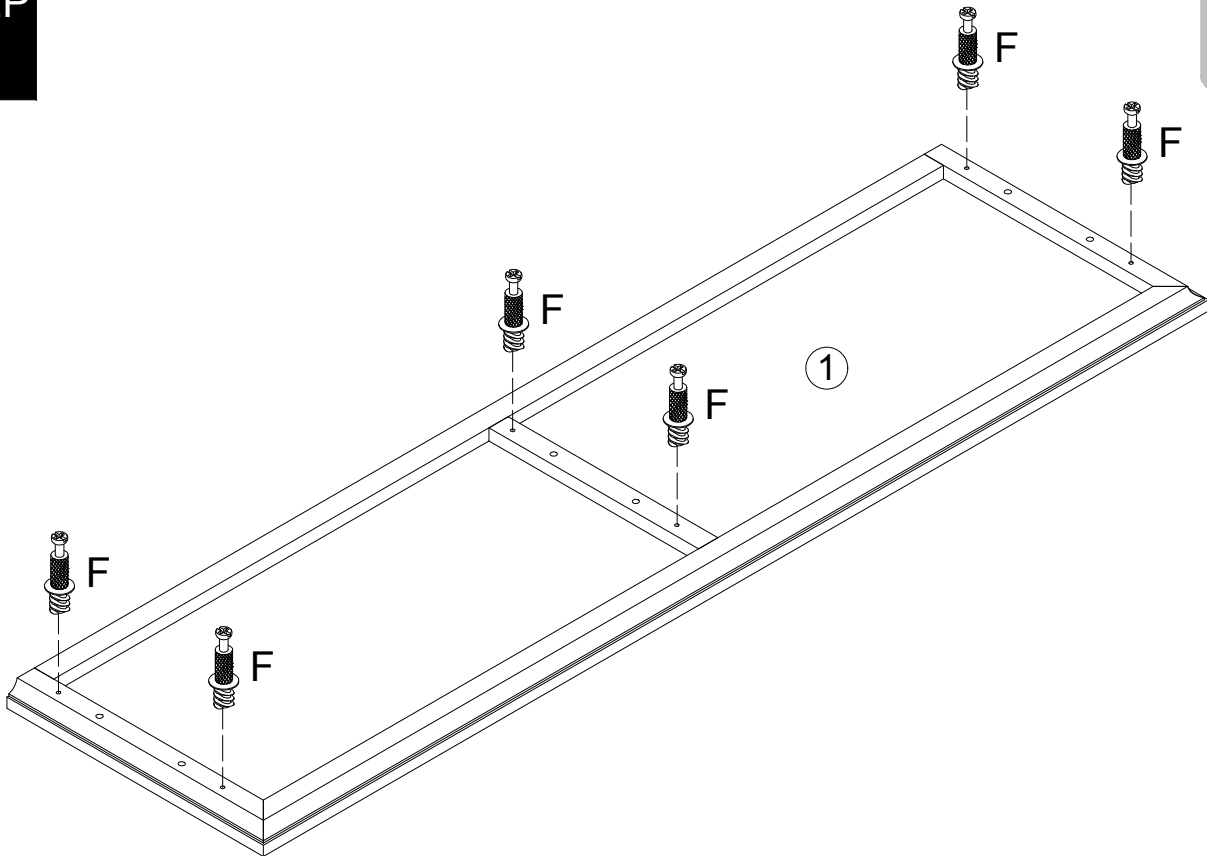
4 x



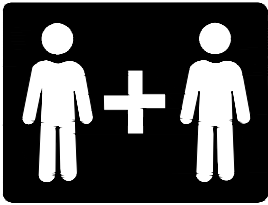
STEP
8

F

6 x

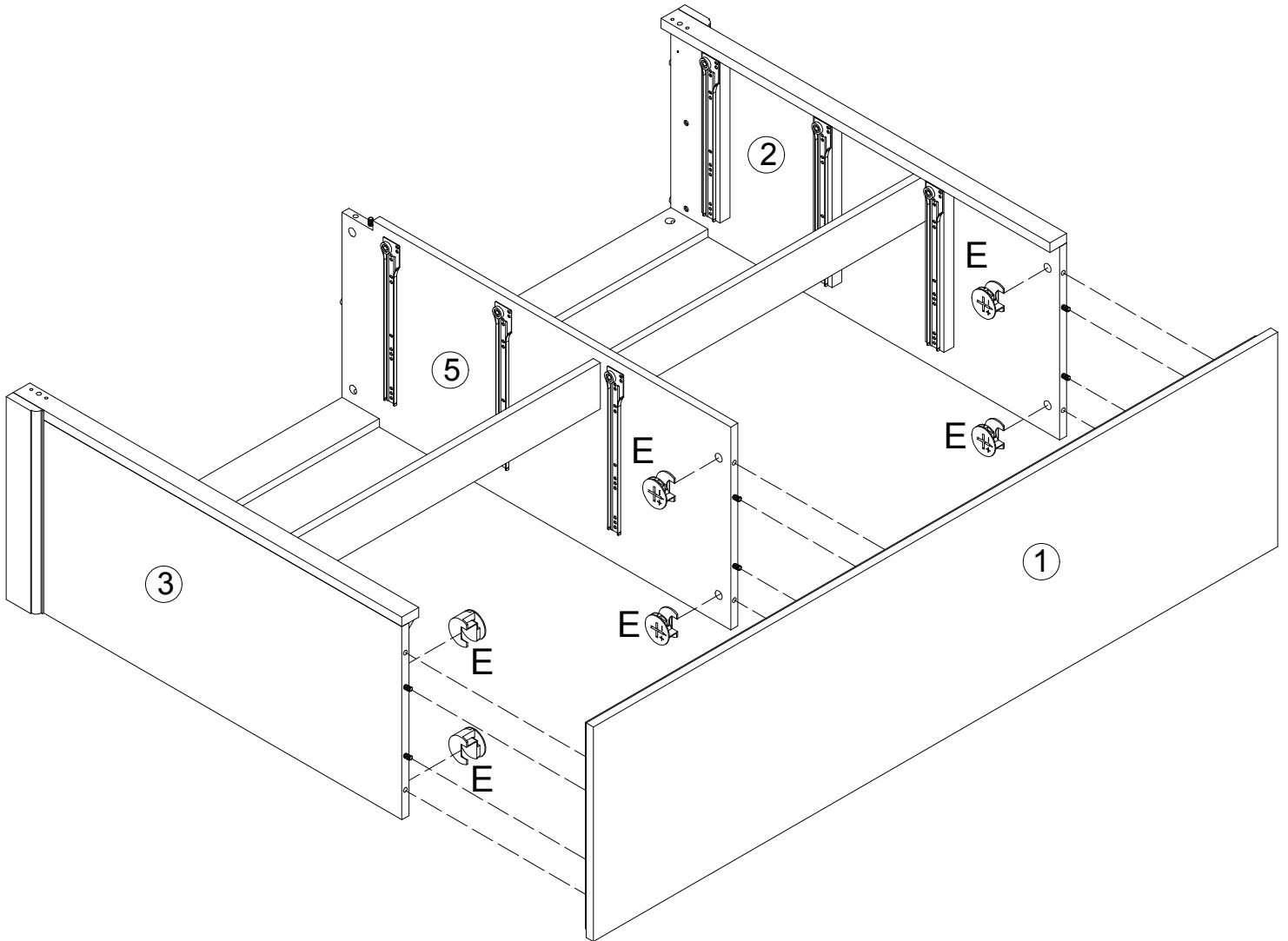
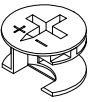


STEP
9



E

6 x



STEP
10

D

2 x



F

1 x



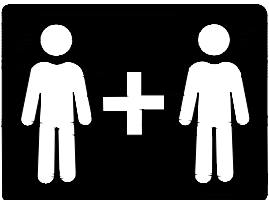
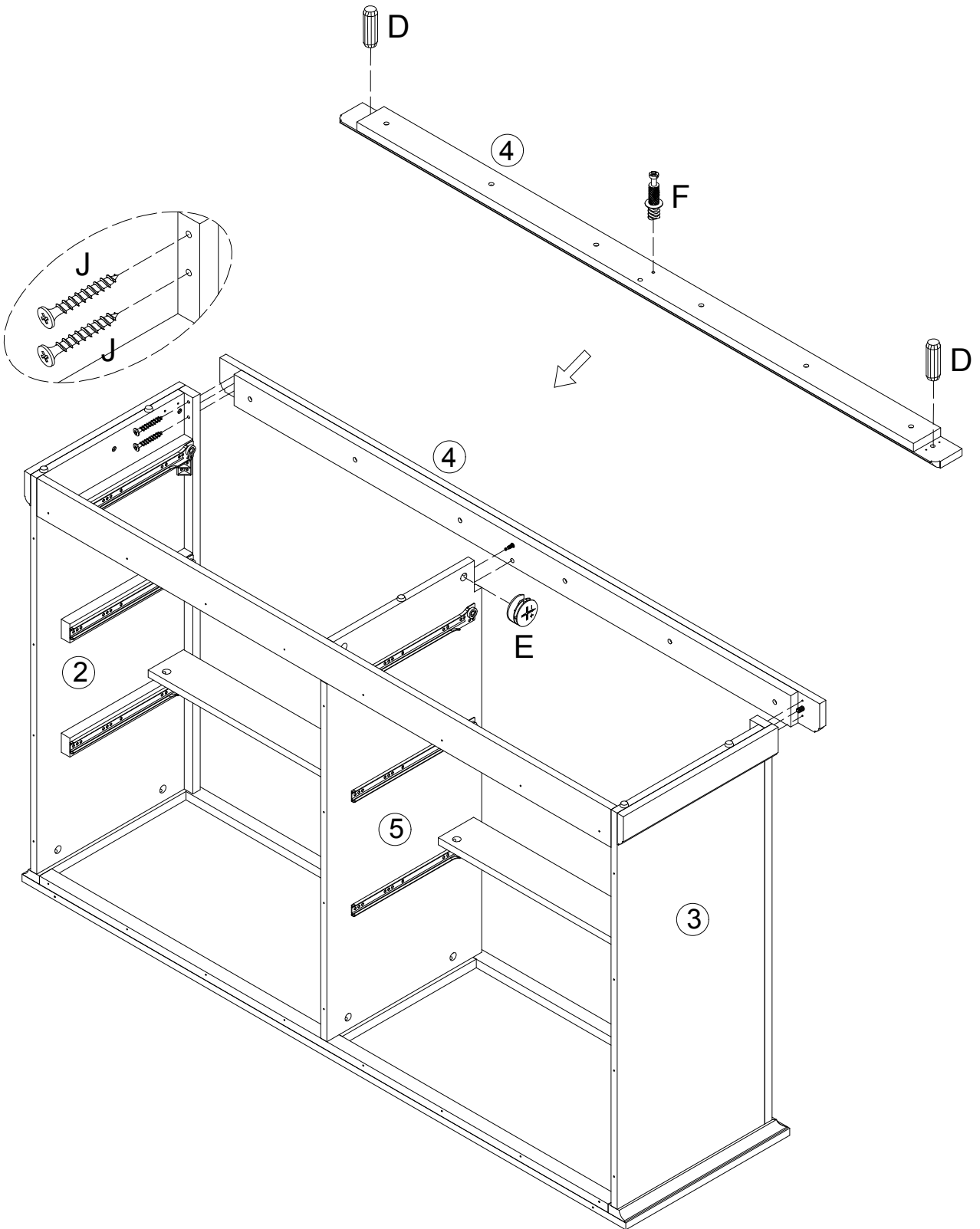
J

4 x

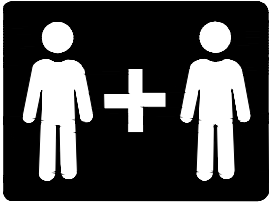


E

1 x

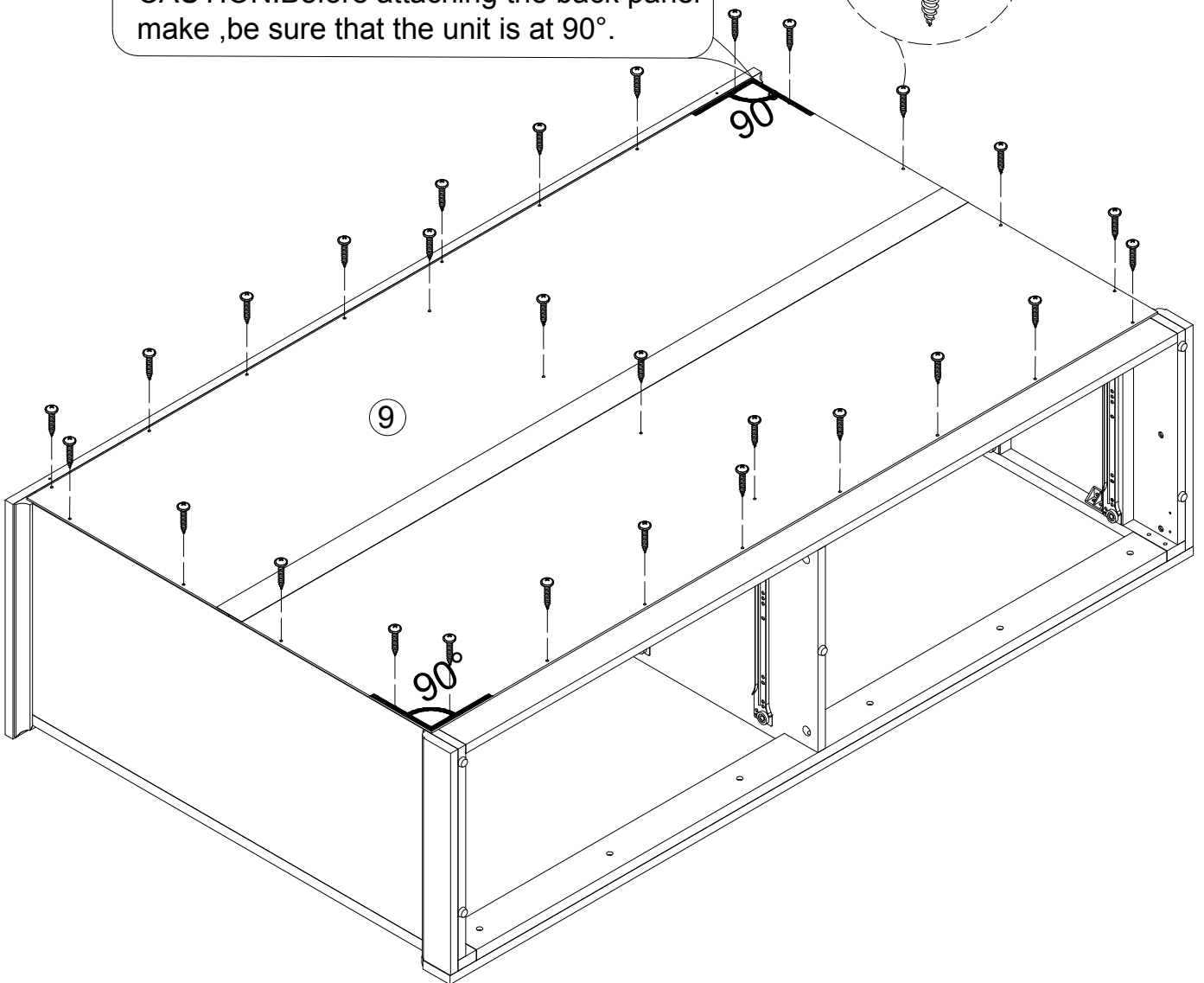
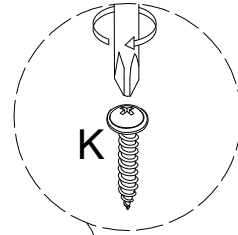


STEP
11


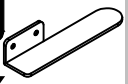
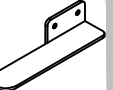


K
28 x 

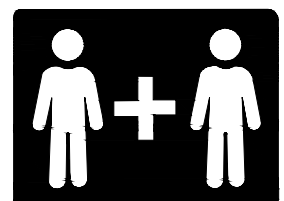
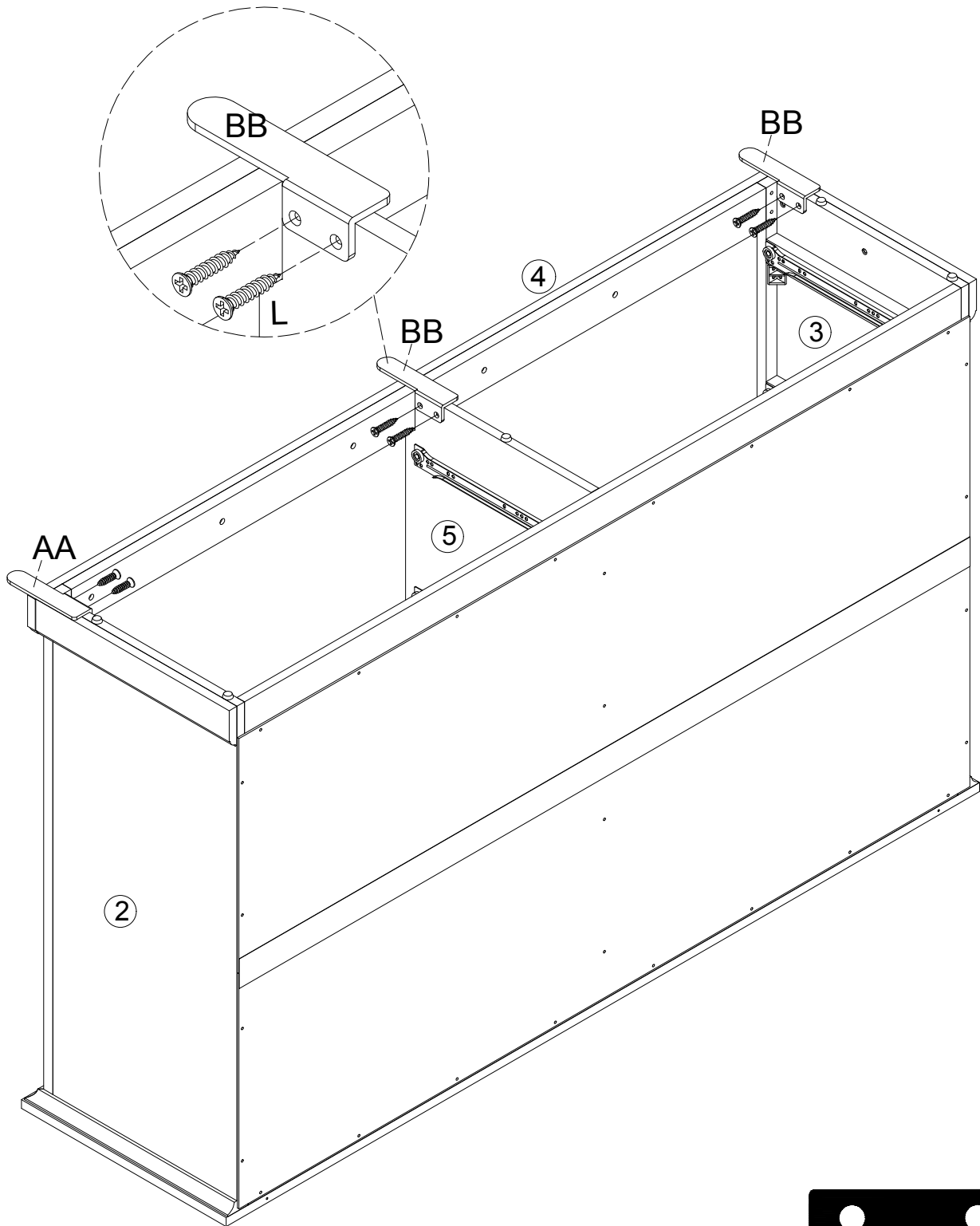
CAUTION: Before attaching the back panel make ,be sure that the unit is at 90°.



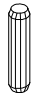
STEP
12

L		AA		BB	
6 x		1 x		2 x	

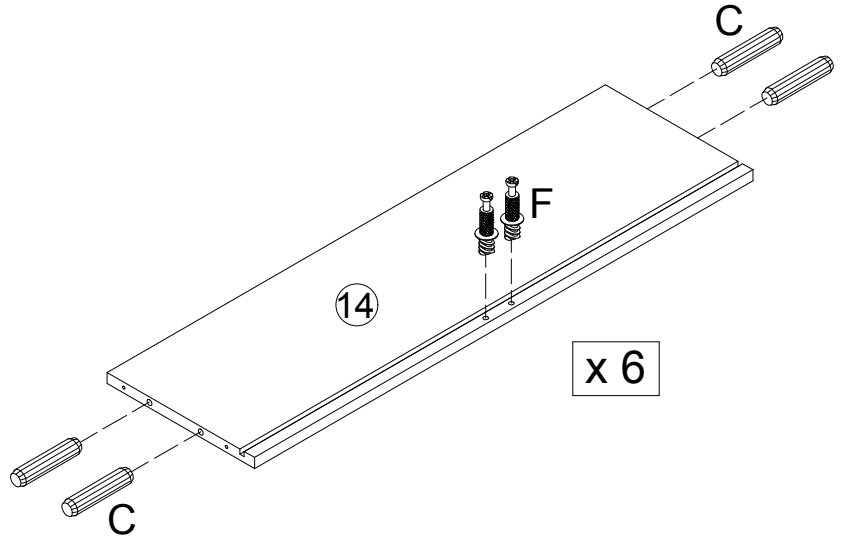
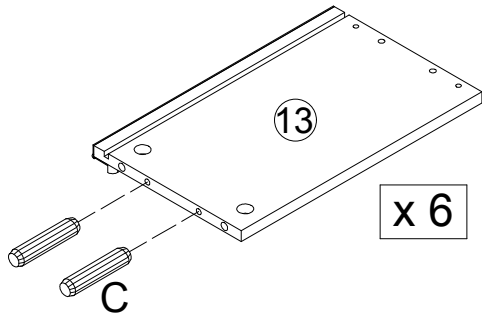
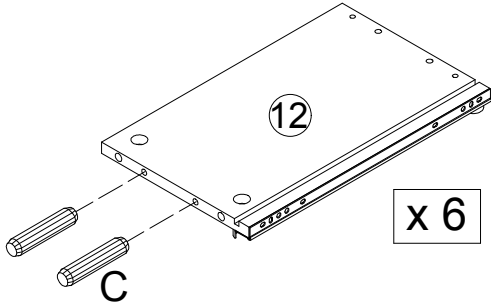
The iron plate is installed to prevent the dresser from tipping over, and the user can decide to install it according to the actual needs.




STEP
13

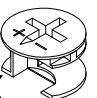
C
48 x 

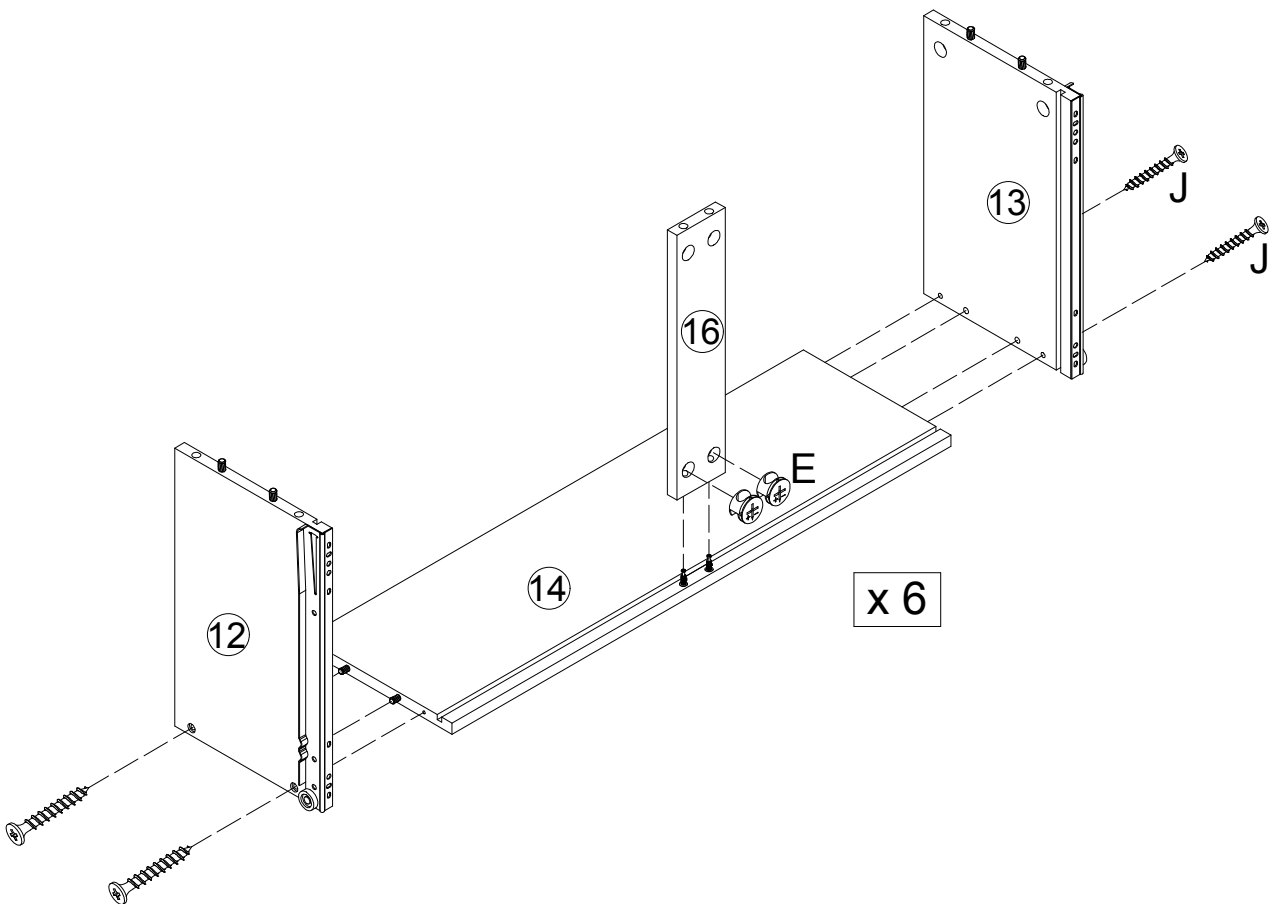
F
12 x 



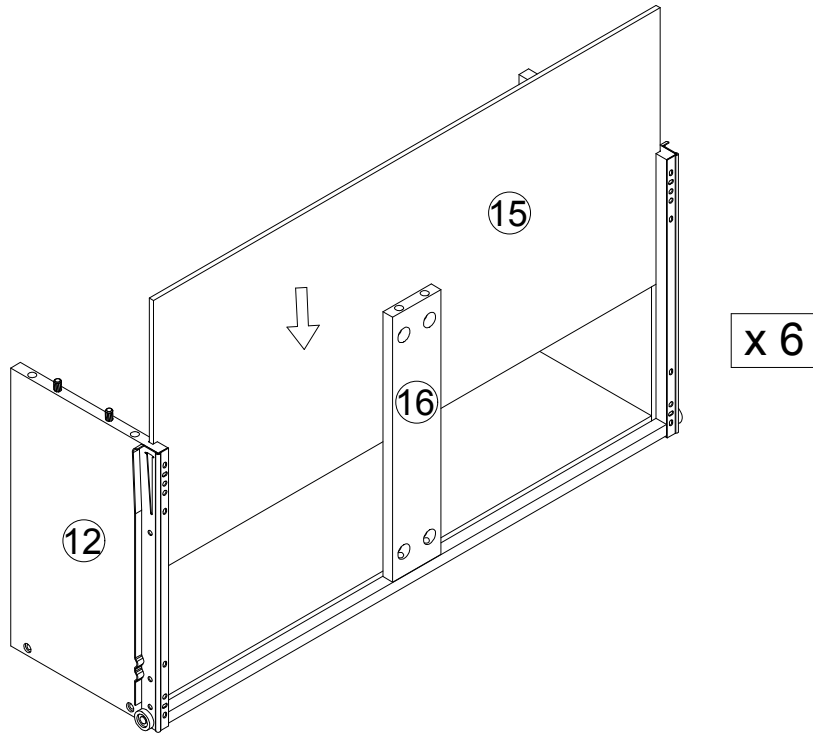
STEP
14

J
24 x 

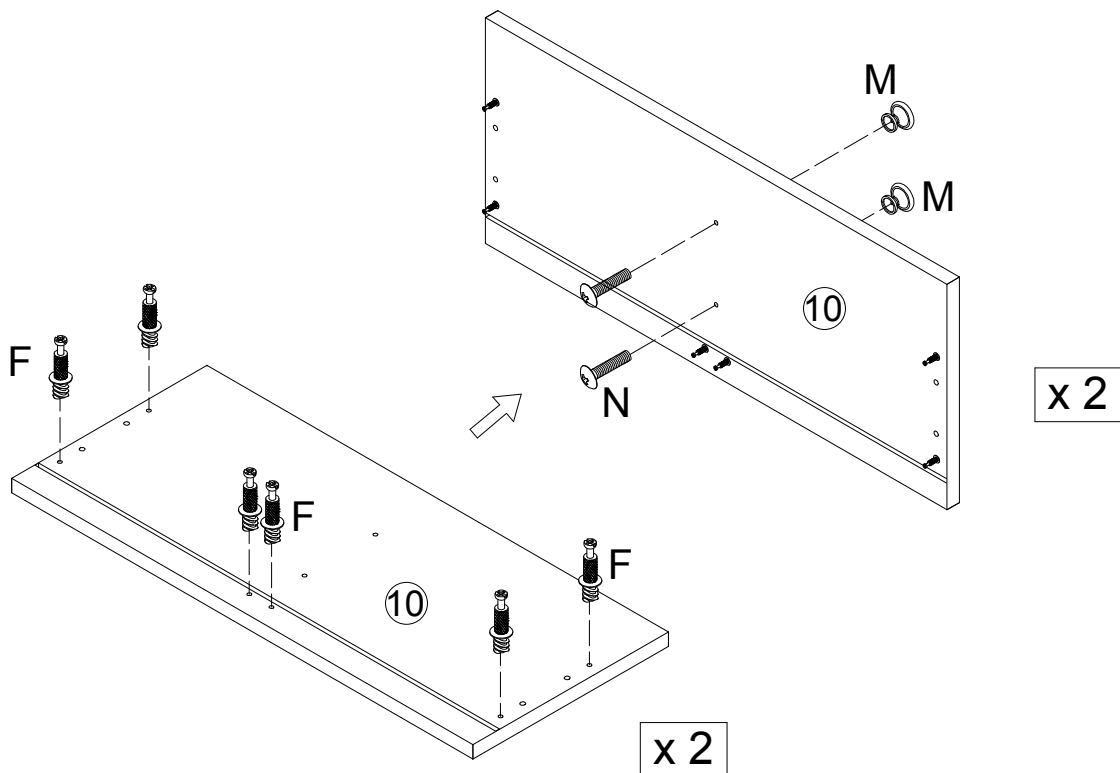
E
12 x 



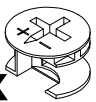
STEP
15

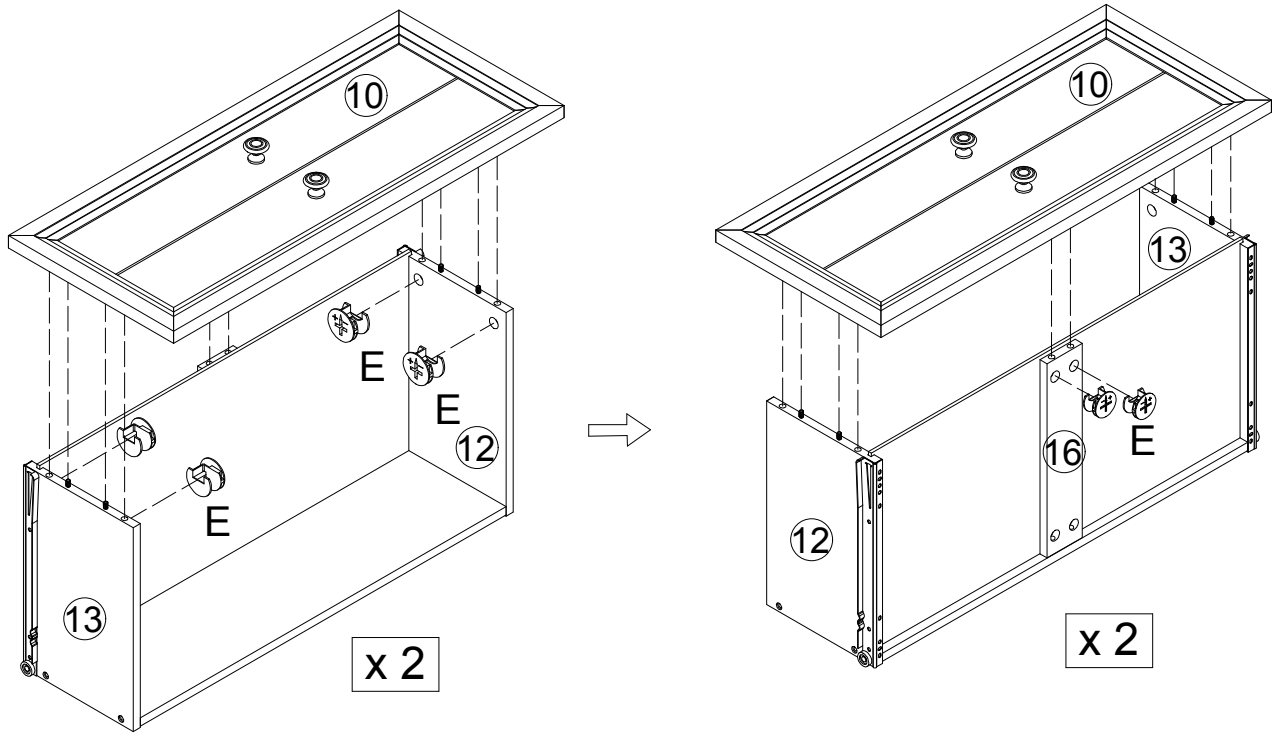


STEP
16



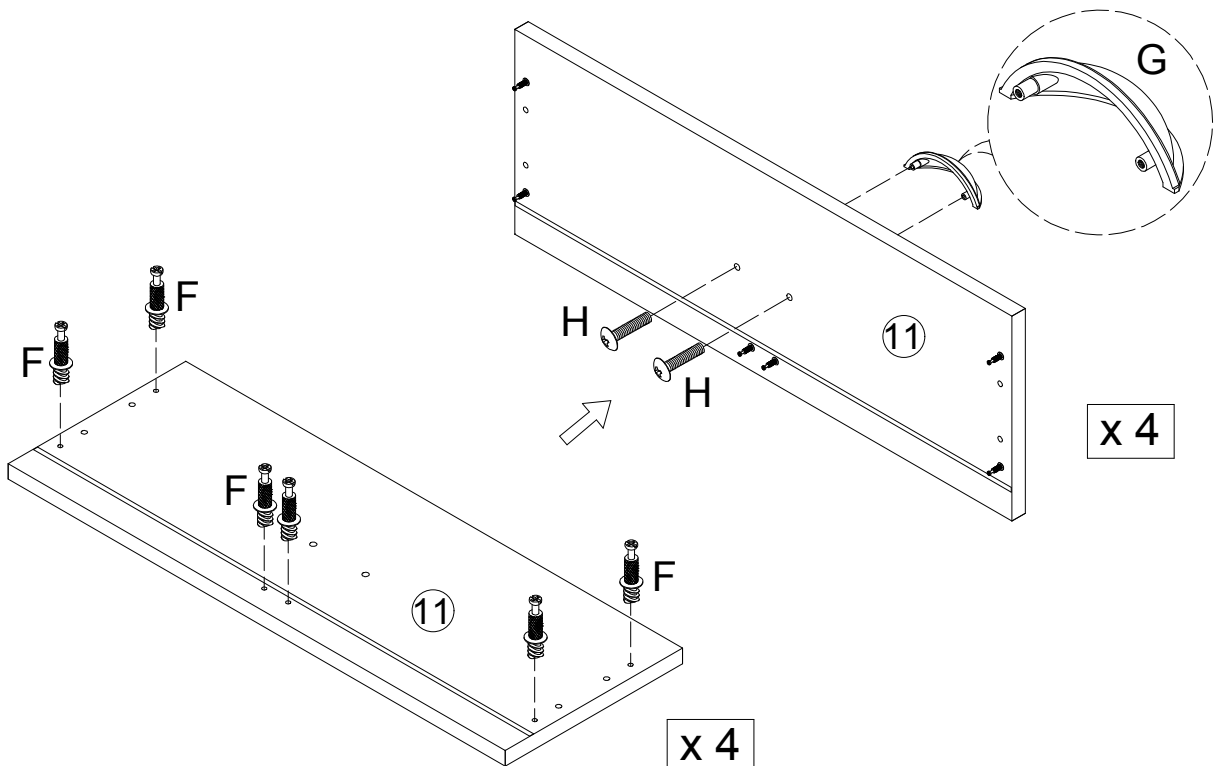
STEP
17

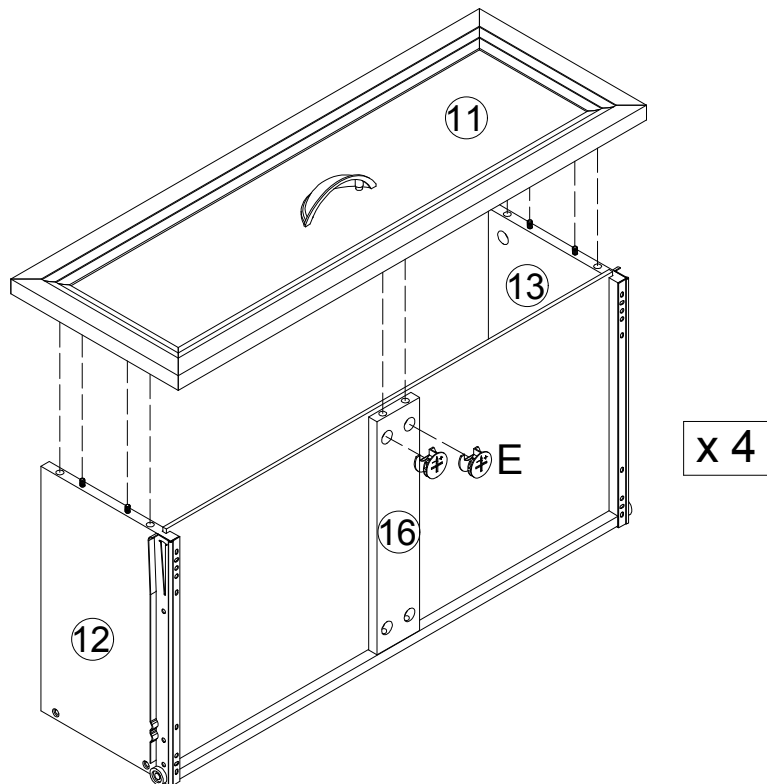
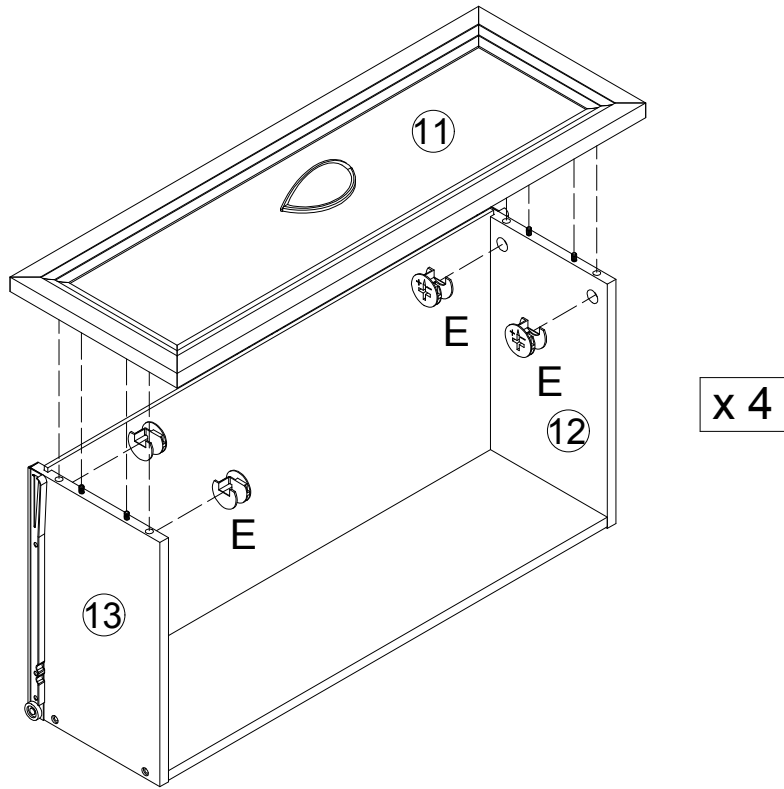
E
12 x 



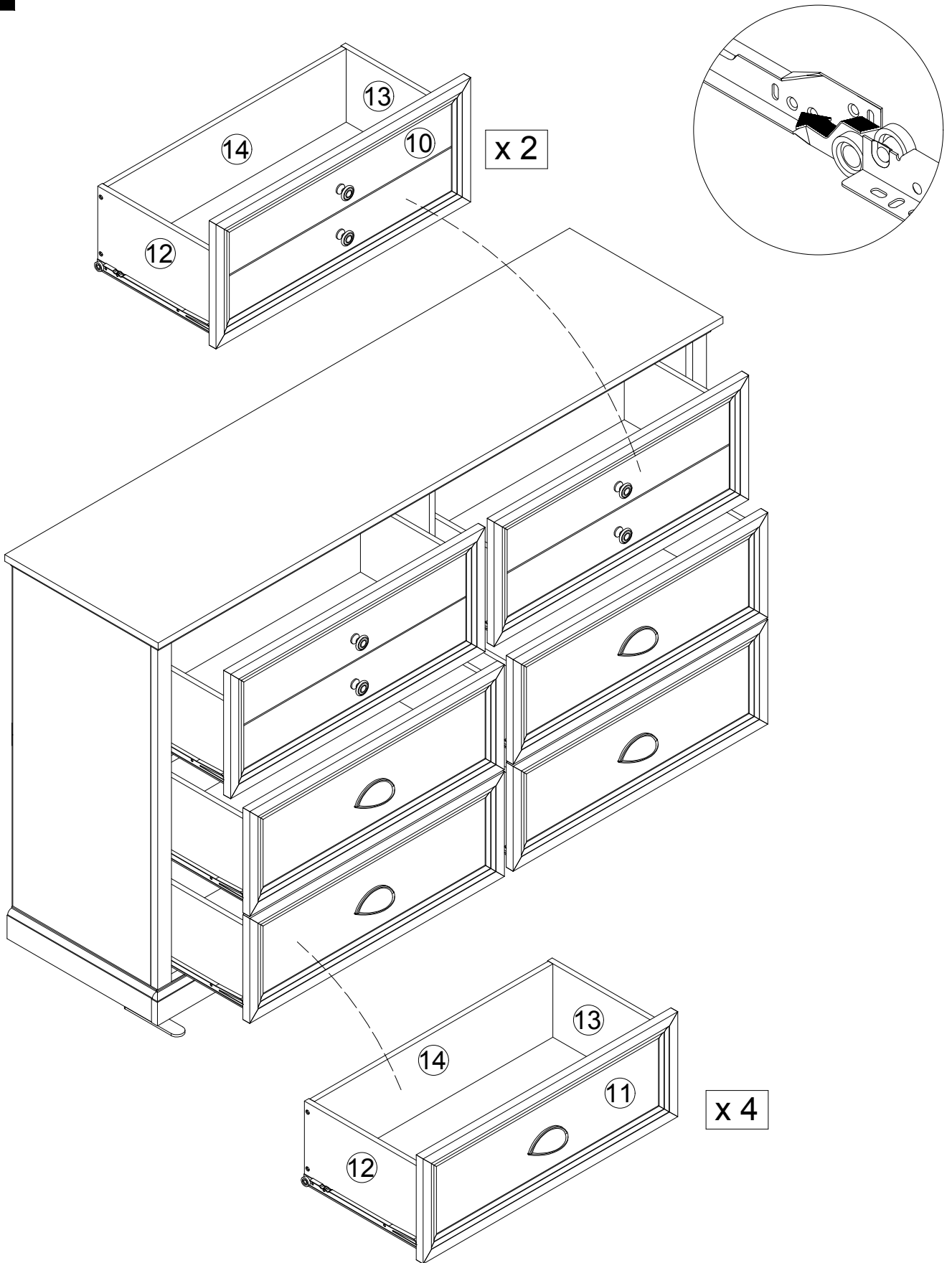
STEP
18

F  **24 x** **G**  **4 x** **H**  **8 x**





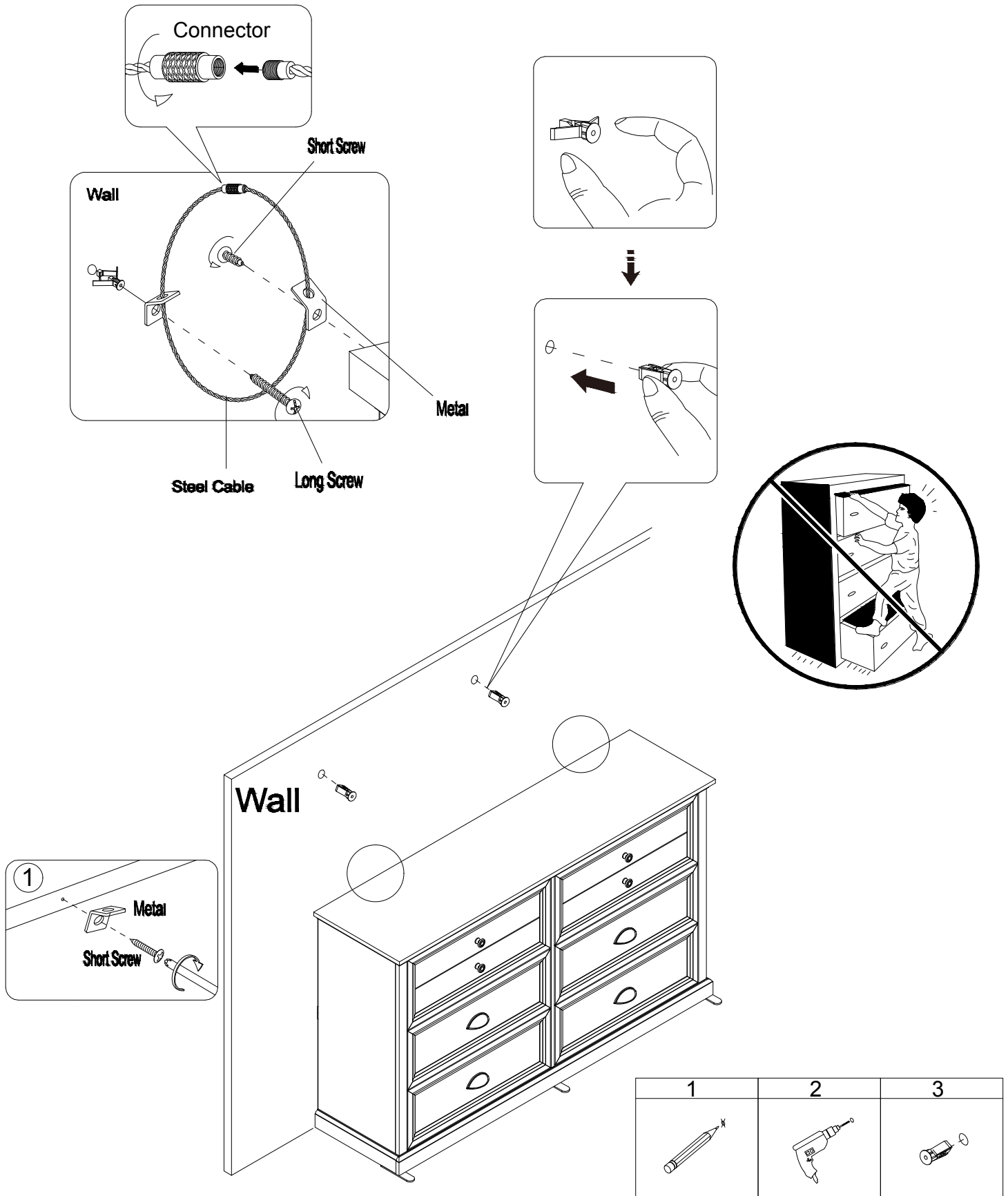
**STEP
20**



STEP 21

WARNING

Serious or fatal injuries can occur from furniture tipping over. To prevent the furniture from tipping over we recommend that it is permanently fixed to the wall. Wall anchor and hardware are included with this product. Please make sure hardware is suitable for your walls before installing, as different wall materials may require different types of anchors.



Care and Maintenance

- Use a soft, clean cloth that will not scratch the surface when dusting.
- Use of furniture polish is not necessary. Should you choose to use polish, test first in an inconspicuous area.
- Using solvents of any kind on your furniture may damage the finish.
- Never use water to clean your furniture as it may cause damage to the finish.
- Always use coasters under beverage glasses and flowerpots.
- Liquid spills should be removed immediately. Using a soft, clean cloth, blot the spill gently. Avoid rubbing.
- Always use protective pads under hot dishes and plates. Heat can cause chemical changes that may create spotting within the furniture finish.
- Stains or marks from crayons or ink markers will be difficult to remove.
- In the event that your furniture is stained or otherwise damaged during use, we recommend that you call a professional to repair your furniture.
- Check bolts/screws and nuts periodically and tighten them if necessary.

Caring for Wood Furniture

It is best to keep your furniture in a climate-controlled environment. Extreme temperature and humidity changes can cause fading, warping, shrinking and splitting of wood. It is advised to keep furniture away from direct sunlight as sun may damage the finish.

Proper care and cleaning at home will extend the life of your purchase. Following these important and helpful tips will enhance your furniture as it ages.

Cleaning the Fireplace Trim

Clean the metal trim using a soft cloth, slightly dampened with citrus oil based product and buff with a clean soft cloth. DO NOT use brass polish or household cleaners as these products will damage the metal trim. Citrus oil based products can be obtained at supermarkets or hardware stores.