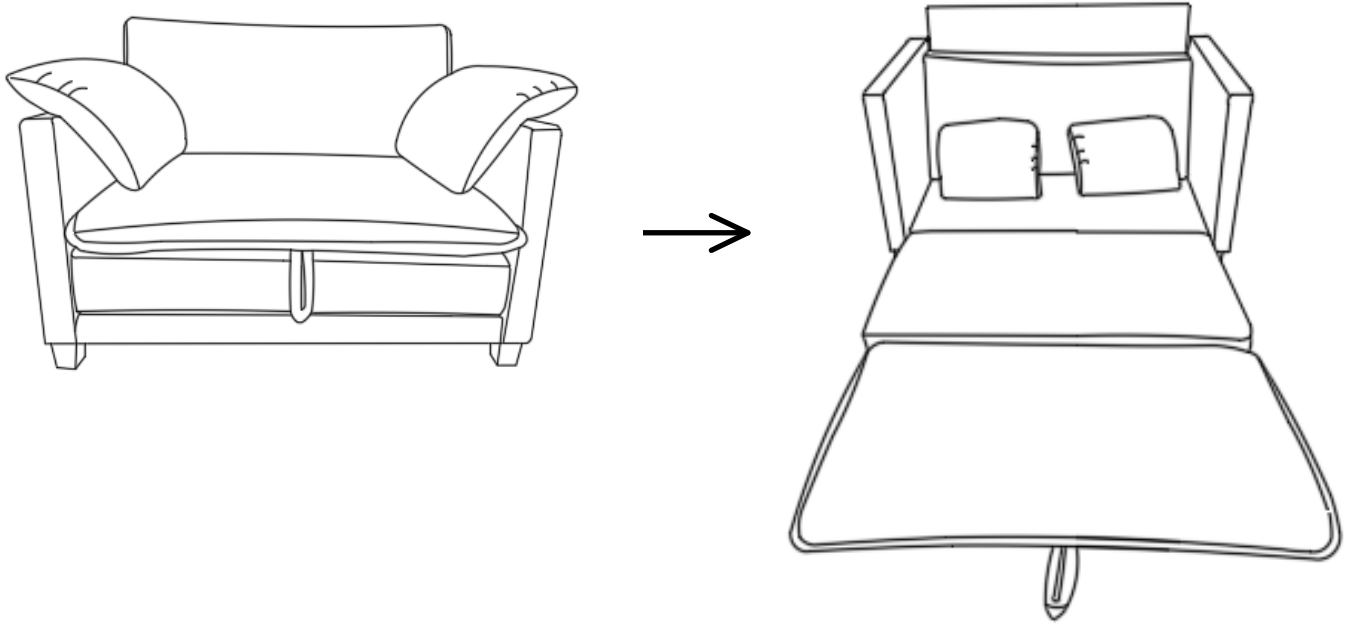


# SOFA BED

## Assembly Instructions



### Note:

1. Please confirm that all parts are correct before assembly.
2. For any problems with the received package please contact us at the first time, we will provide you with one year free warranty service, customer satisfaction and product quality are our top priority.

# FAQ

Q1:Missing parts or some parts damaged when received.

A1:If you find some parts are missing or damaged from the box,please kindly send us messages to let us know the name of missing part regarding of the parts list of the instuction, and we will send you the replacement part as soon as possible and provide the best solution.

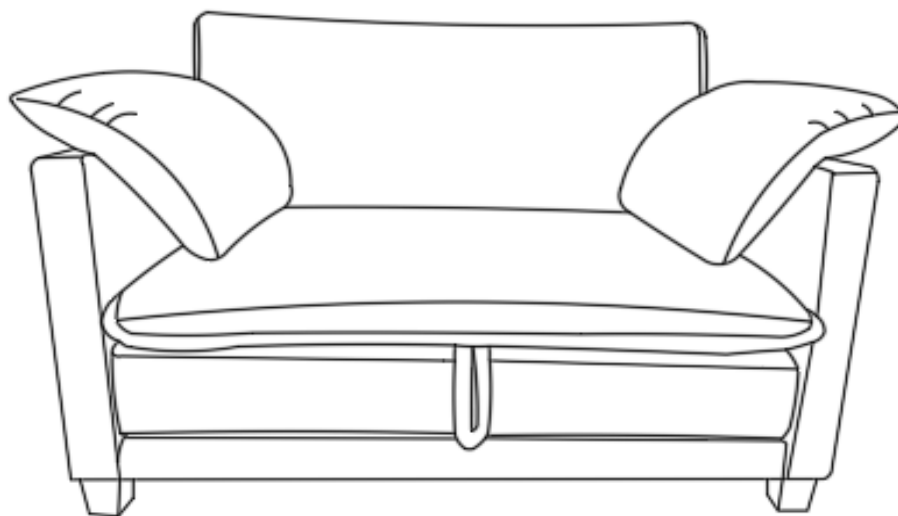
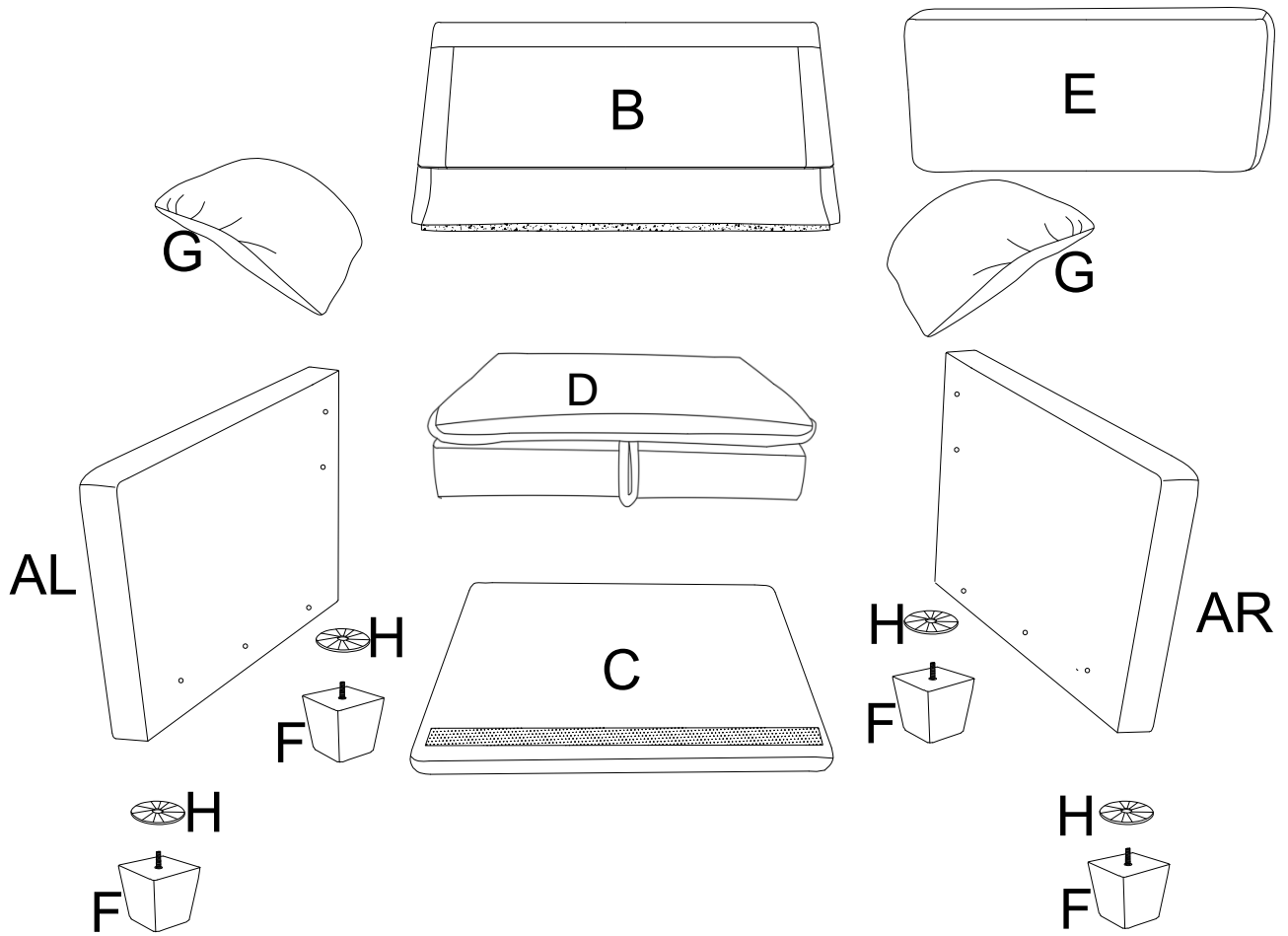
Q2: Difficulty in assembly

A2:If there are any problems during the installation process, you can take photos and send them to us, and we will reply promptly. We also have installation videos on our page that you can watch online.

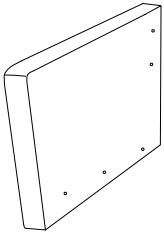
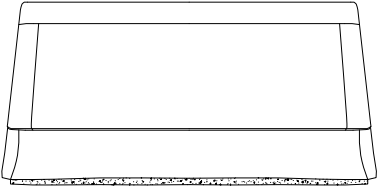
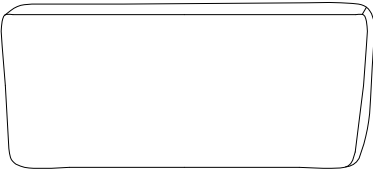
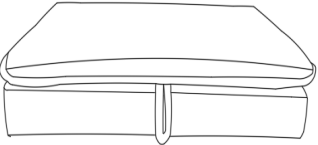
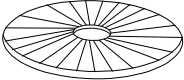
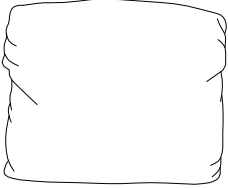

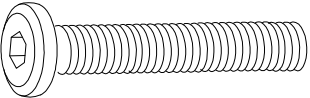

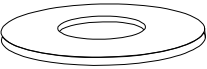
Q3:Return Policy.

A3:Please contact us before returning the product. Please ensure that the packaging box is intact, the product is not damaged or stained, and does not affect secondary sales.Return product that do not use the original packaging may be rejected, and the pictures may be requested to offer.

# DISASSEMBLY DIAGRAM



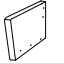
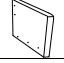




# PARTS LIST

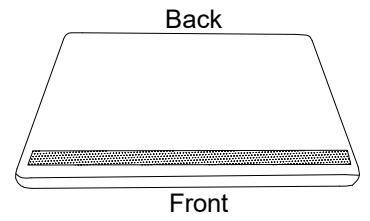
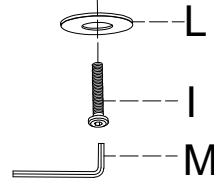
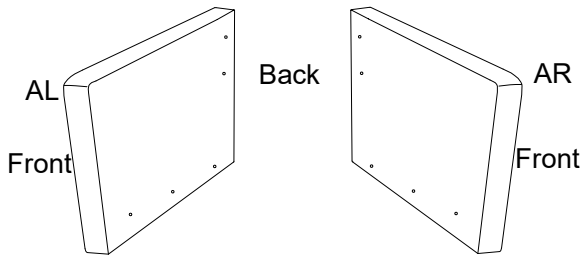
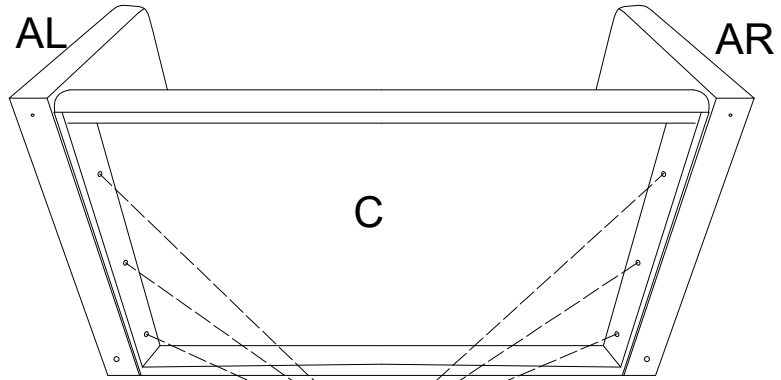
AL		AR	B
Armrest 1 pc	Armrest 1 pc	Back frame 1 pc	
C	D	E	
Seat frame 1 pc	Seat cushion 1 pc	Backrest 1 pc	
F	G	H	
Wood foot 4 pcs	Armrest pillow 2 pcs	Plastic gasket 4 pcs	
I	J	K	
Screw M8x60mm 6 pcs	Screw M6x60mm 4 pcs	Gasket M6 4 pcs	
L	M		
Gasket M8 6 pcs	Allen Key 1 pc		

# Assembly Steps

## STEP 1



Stand up the frame, align the left and right armrests, and connect them with screws.

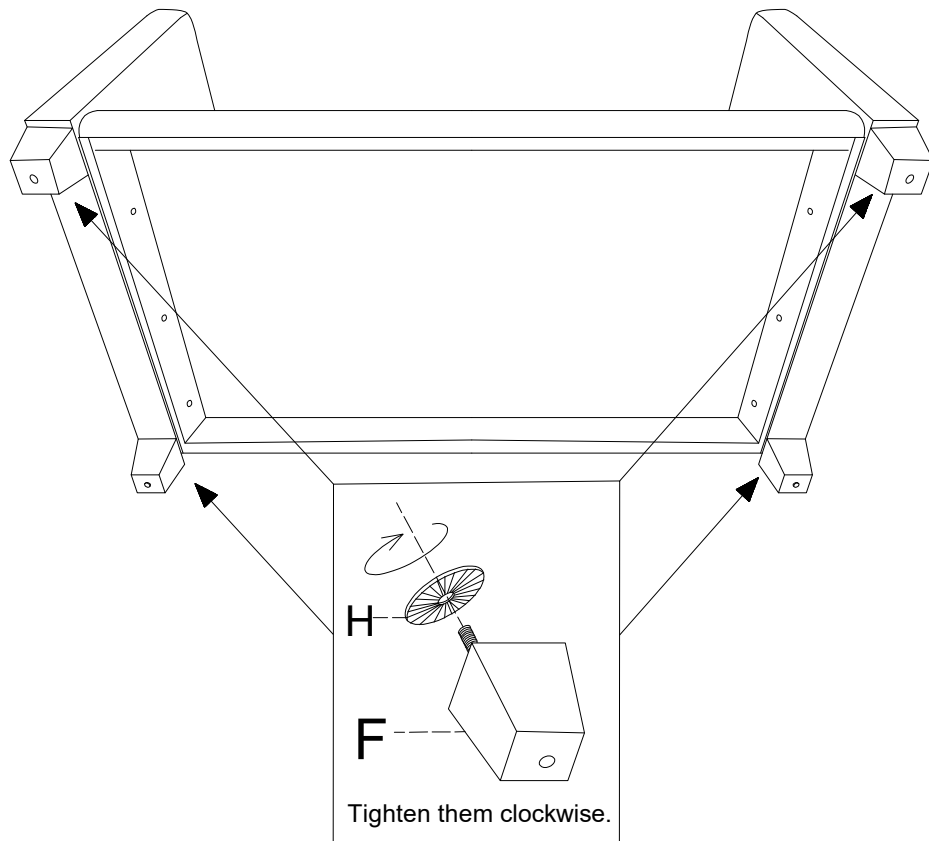
AL		1
AR		1
C		1
I		6
L		6
M		1



## STEP 2

The wood feet are aligned with the holes at the bottom of the seat frame and tighten them clockwise.

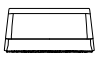



F		4
H		4

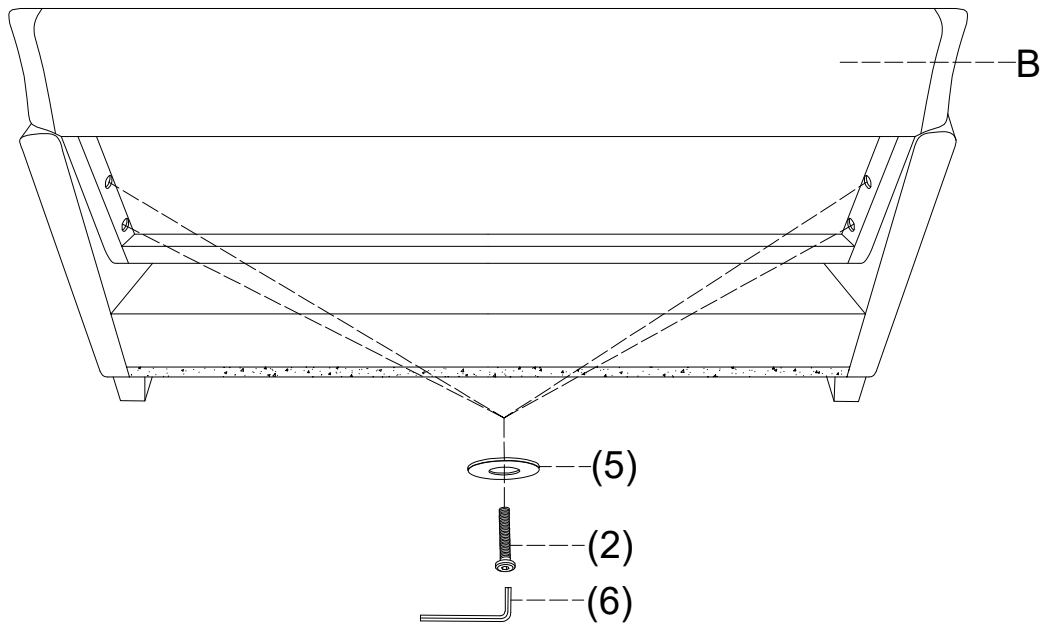


# Assembly Steps

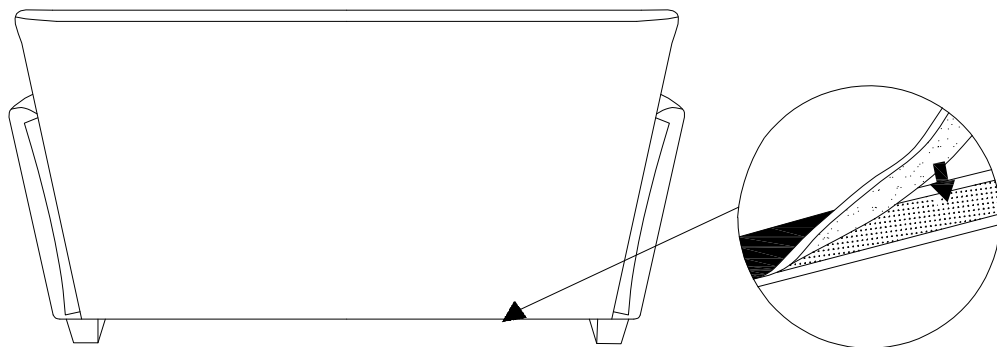
## STEP 3

Place the seat frame flat on the ground, align the back frame with the position, and secure it with screws.




B		1
J		4
K		4
M		1

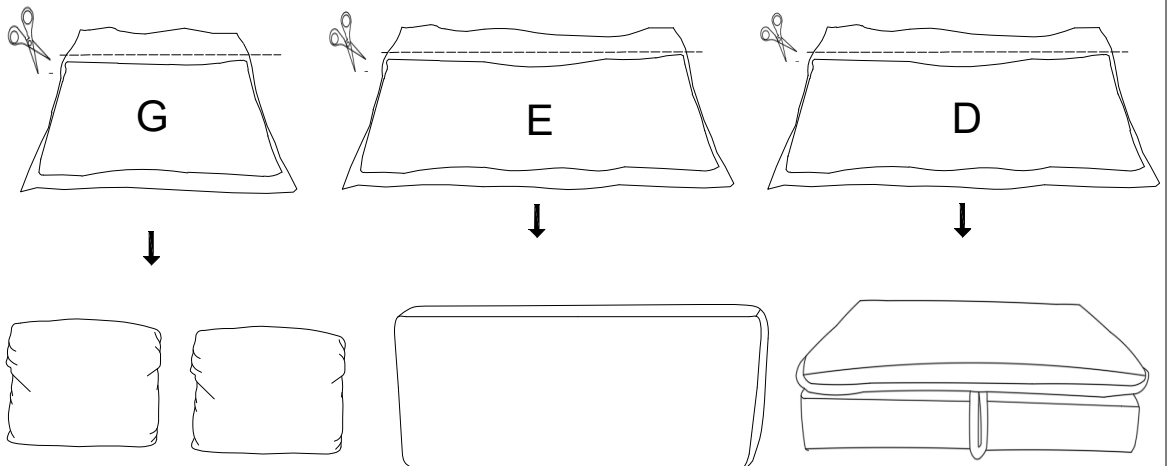


## STEP 4 The bottom of the back frame is secured by Velcro.



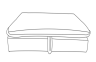
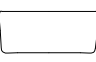

## STEP 5 If you are satisfied with the frame structure of the sofa, please continue to open the compression package. Please note that opening the compression package will affect the secondary sales, so you cannot return it.

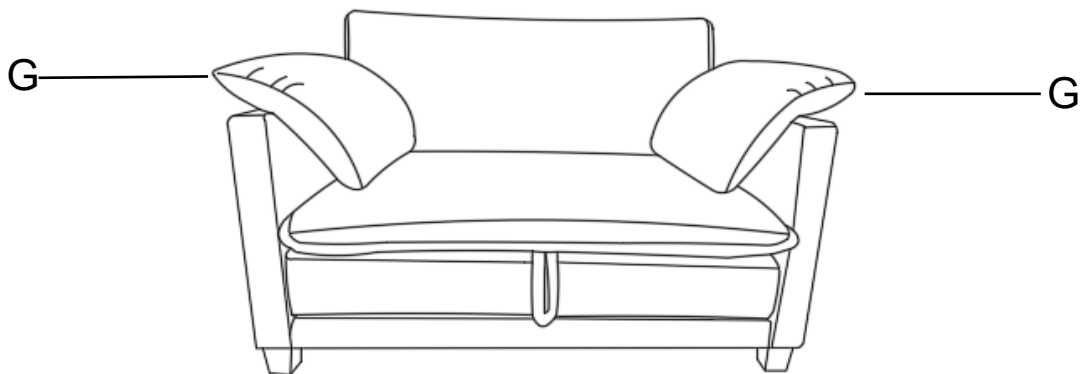
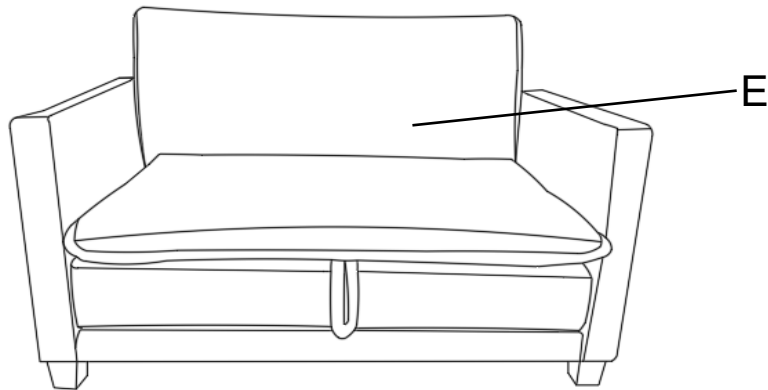
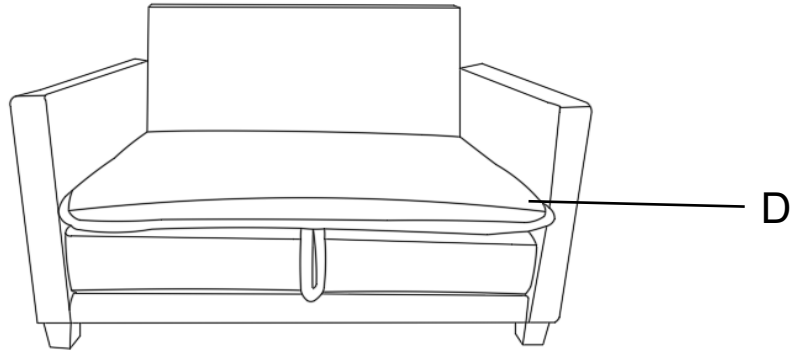
D		1
E		1
G		2



# Assembly Steps

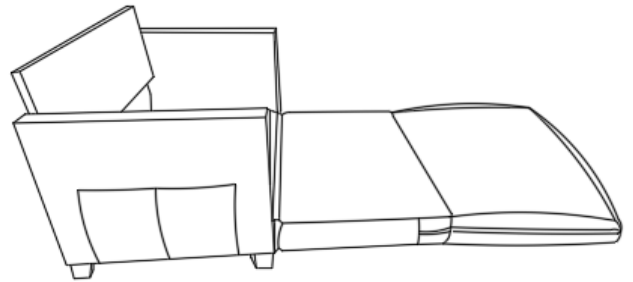
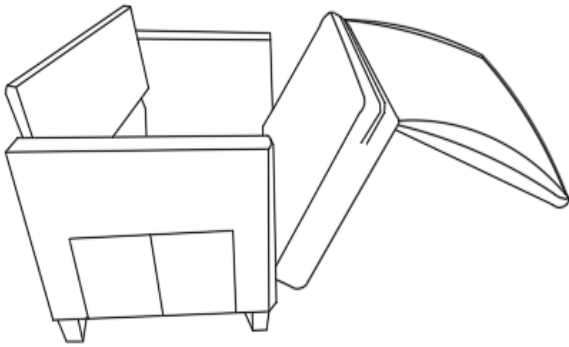
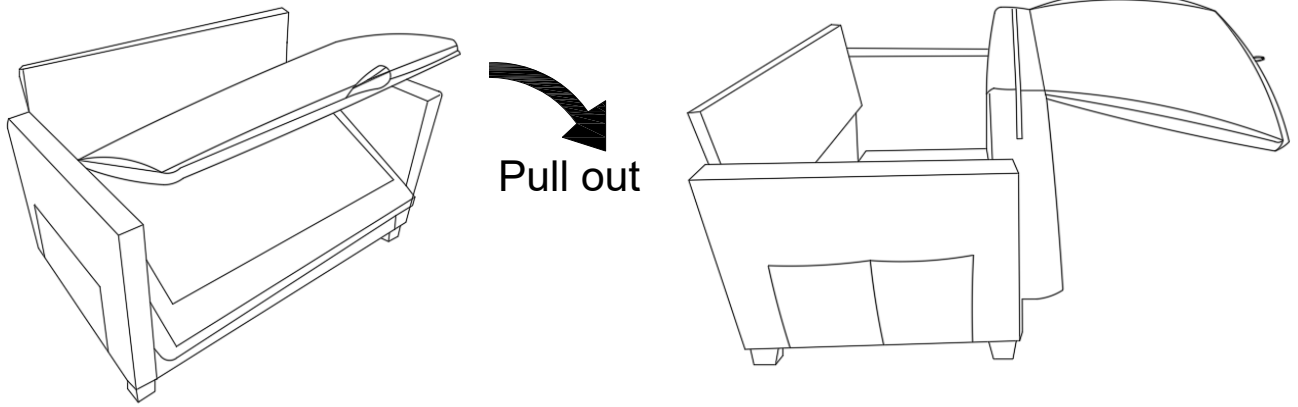
**STEP 6** Put the cushion on the sofa frame, tidy it up, and wait 72 hours for the cushion to slowly rebound.

D		1
E		1
G		2



# Assembly Steps

**STEP 7** If you want to open the sofa bed, first put the cushion E and armrest pillow G aside, pull out the pull strap in front of the cushion, pull out the cushion and make it flat, and then stick the Velcro on the seat frame.



When the cushion is out, put the backrest E and the armrest pillow G in place. So you get a small sofa bed.

