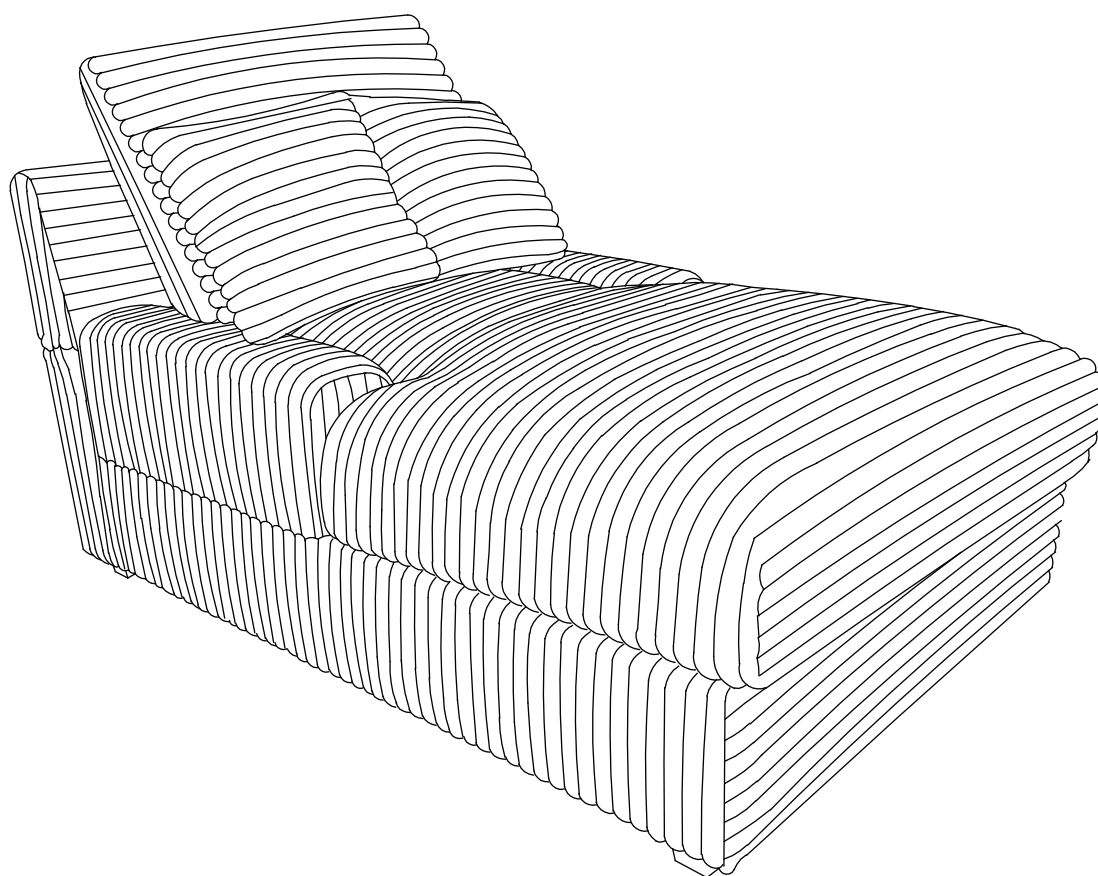


Sofa Bed

ASSEMBLY INSTRUCTIONS

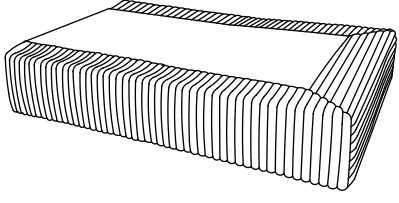
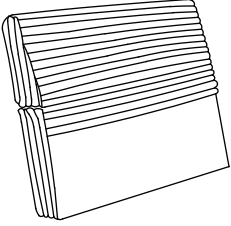
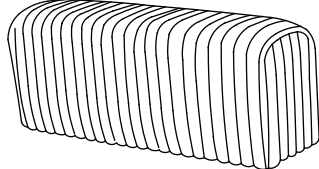
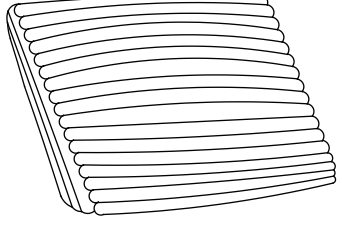
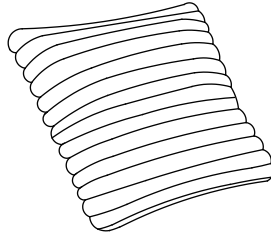
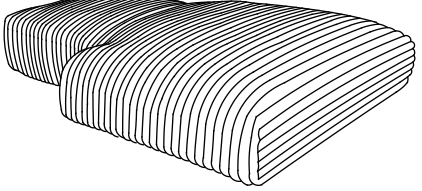
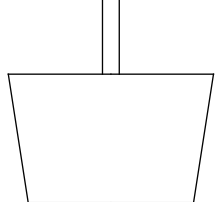






ATTENTION

- 1. Please check the manual carefully and make sure you've received all the parts.**
- 2. If there're any missing parts, please contact us with the part # and quantity, we'll send them to you.**
- 3. If there're any damaged parts, please contact us with clear pictures or video, we'll offer you the best solution after confirming it.**

Assembly Instruction

Parts List

A		B			
1PC		1PC			
C		D			
2PCS		1PC			
E		F			
2PCS		1PC			
G		H			
4PCS		4PCS			
1		2	 M8*40MM	3	
8PCS		8PCS		1PC	

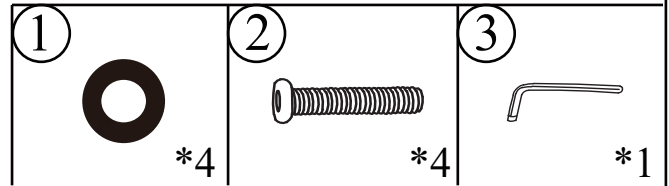
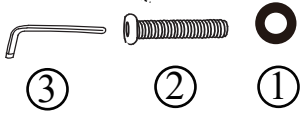
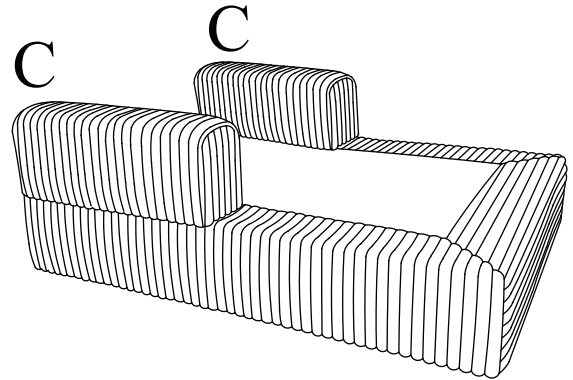
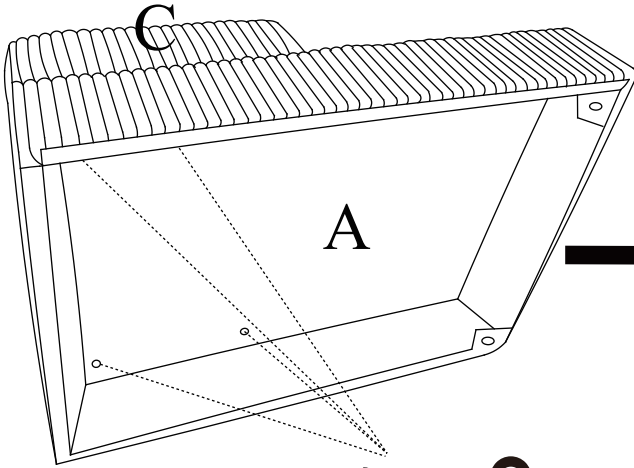
Assembly Instruction

SOFA BED

STEP 1

A*1

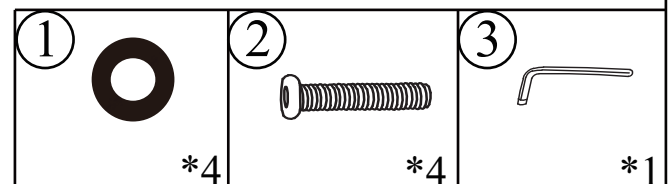
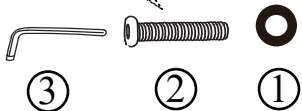
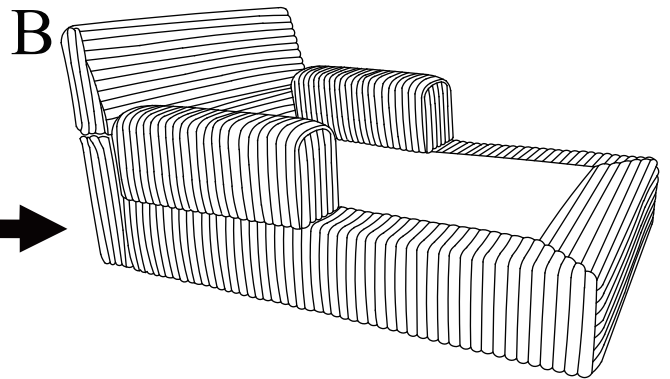
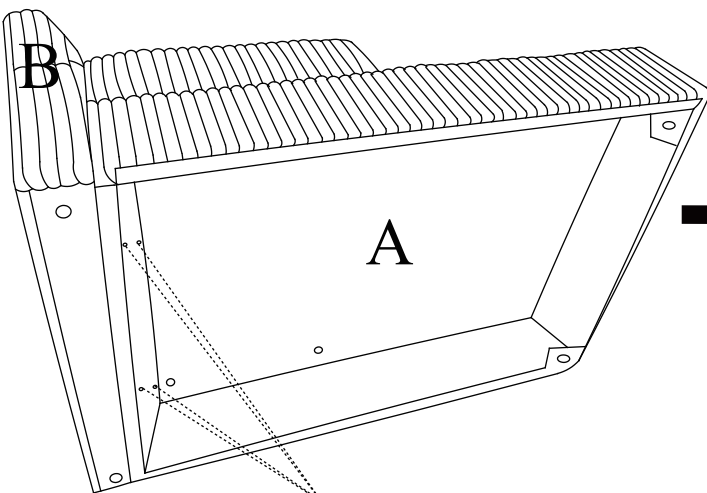
C*2



STEP 2

A*1

B*1



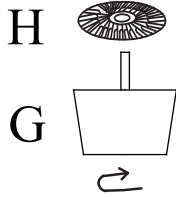
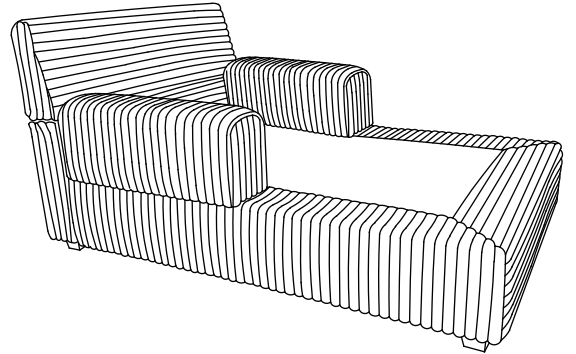
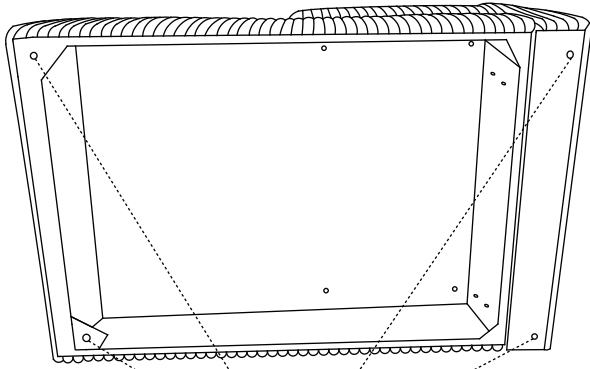
Assembly Instruction

SOFA BED

STEP 3

H*4

G*4



STEP 4

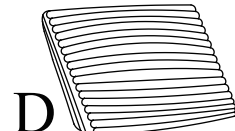
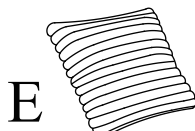
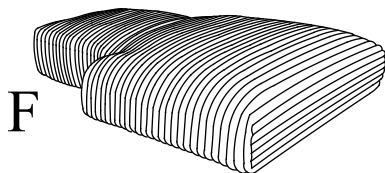
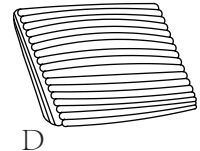
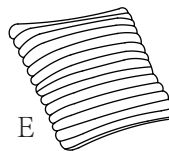
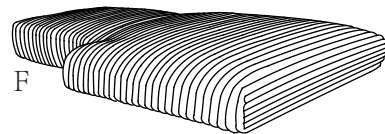
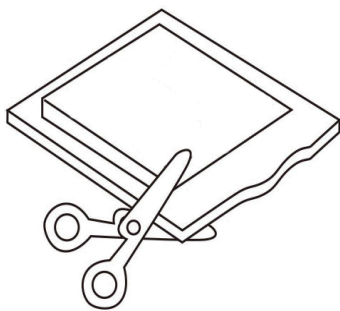
F*1

D*1

E*2

Compressed cushion/pillow

Pat around evenly to plump them



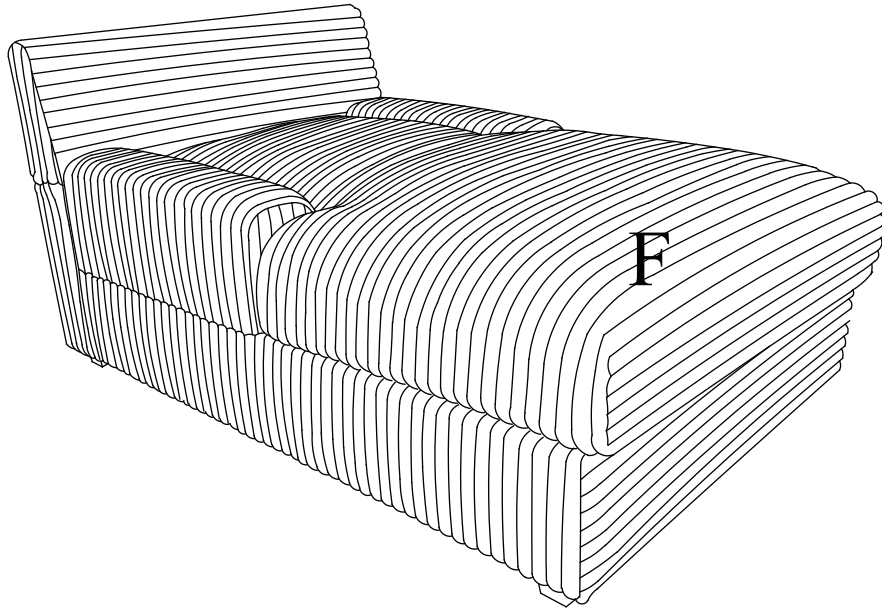
Give them 24-72h to recover

Assembly Instruction

SOFA BED

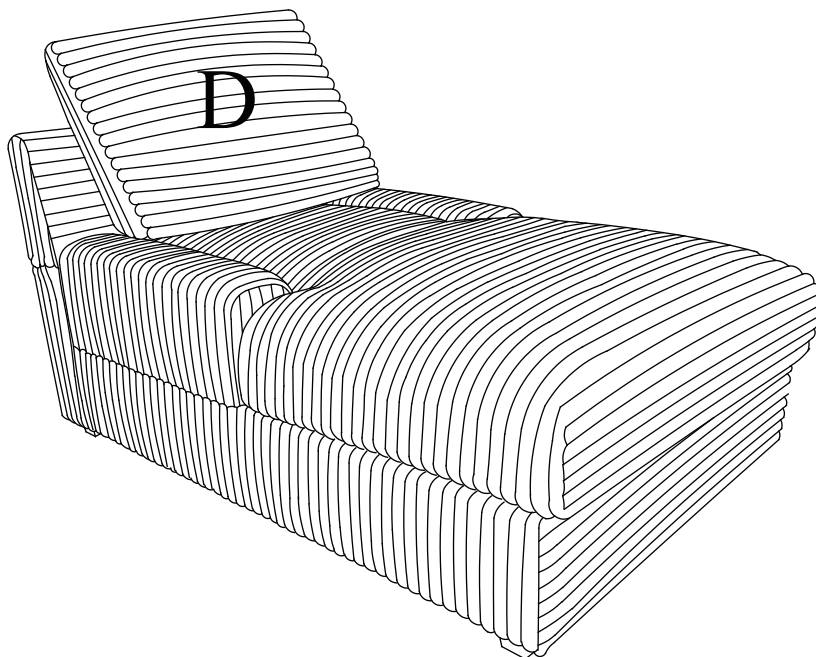
STEP 5

F*1



STEP 6

D*1

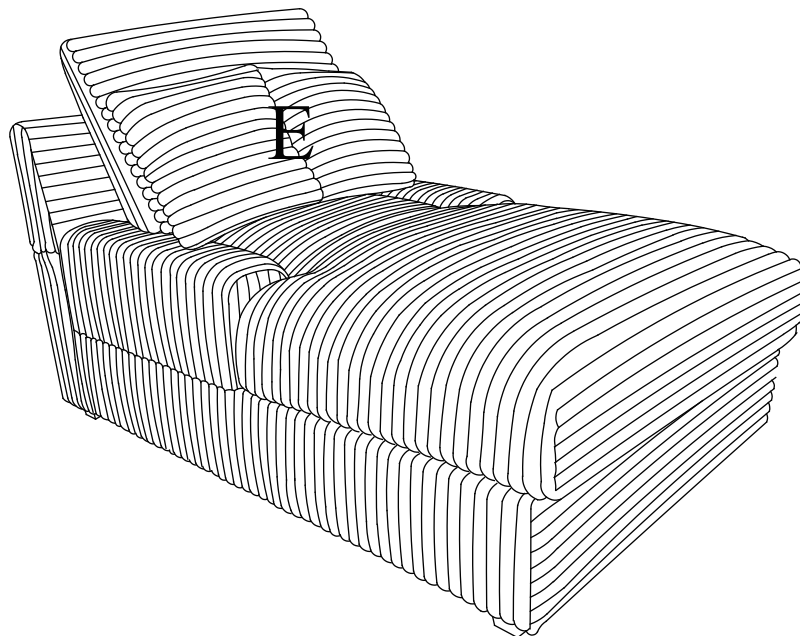


Assembly Instruction

SOFA BED

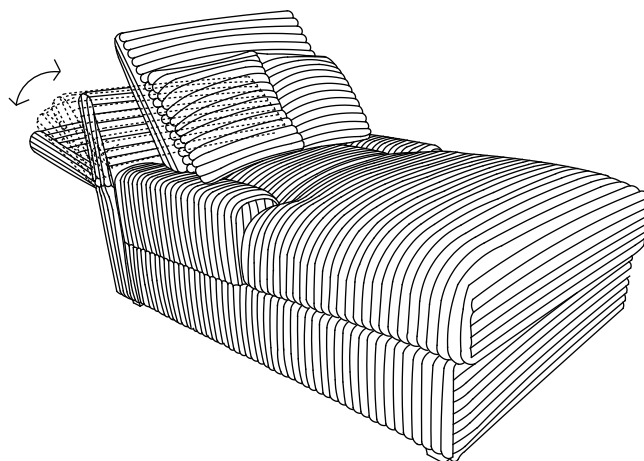
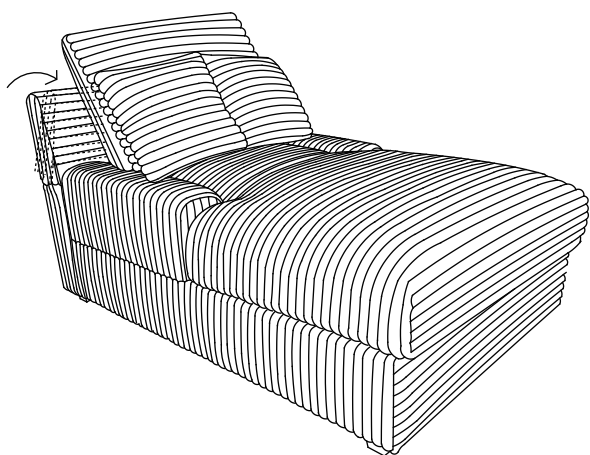
STEP 7

E*2



STEP 8

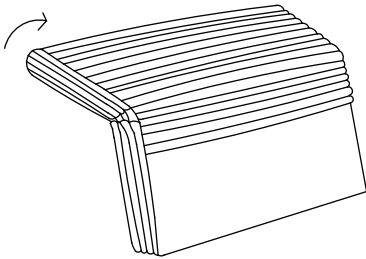
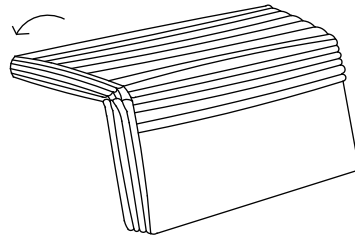
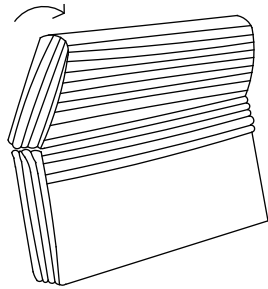
The angle can be adjusted after hearing a click.
The backrest can be adjusted with 3 levels



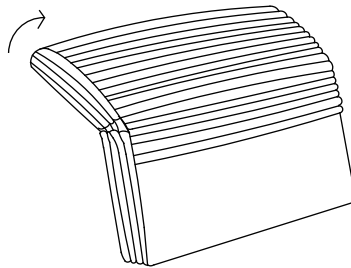
Assembly Instruction

SOFA BED

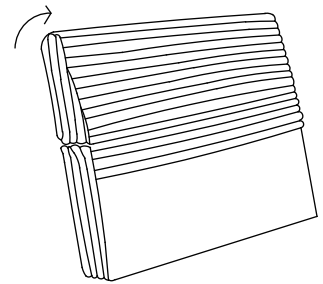
STEP 9



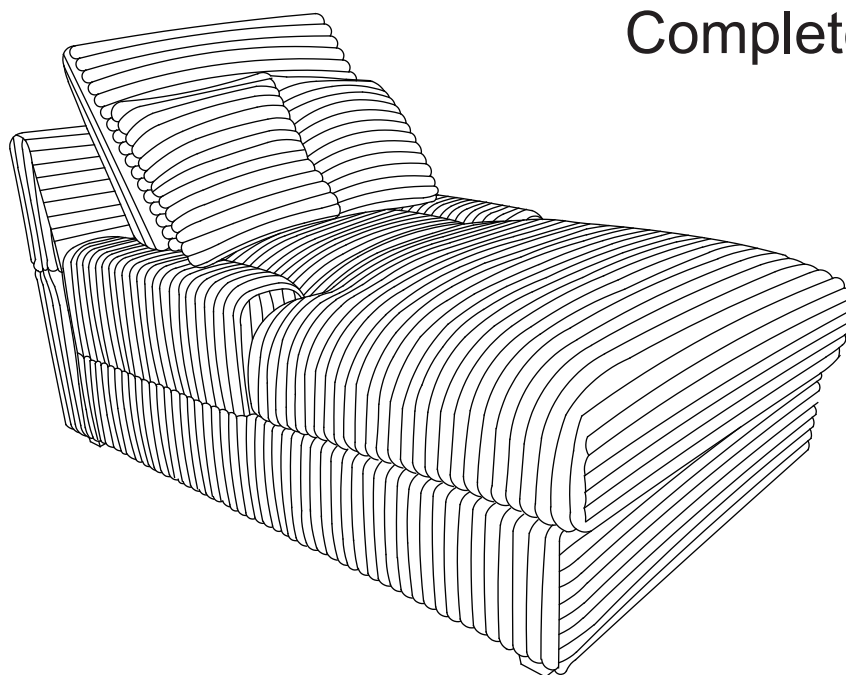
1st level



2nd level



3rd level



Completed!