



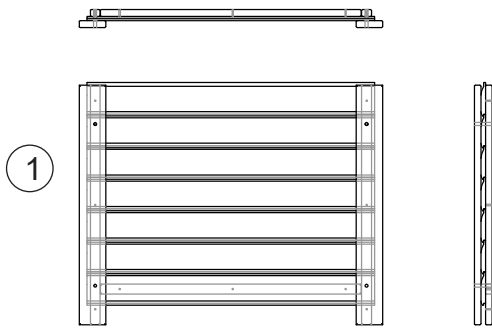
K-9 KASTLE

Assembly Instructions

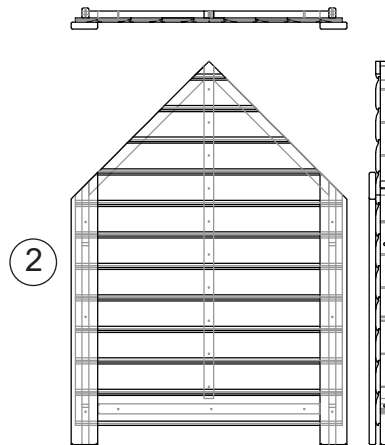
Creative Cedar Designs

MODEL # 2515

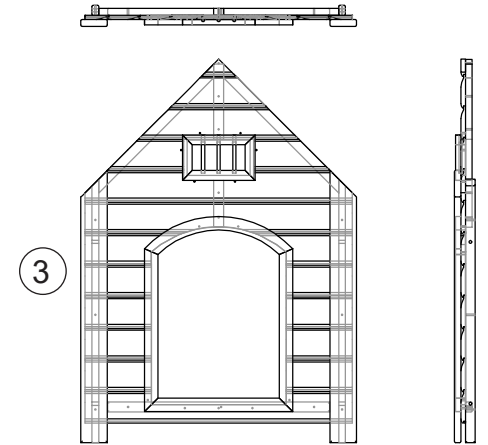
Parts Identification



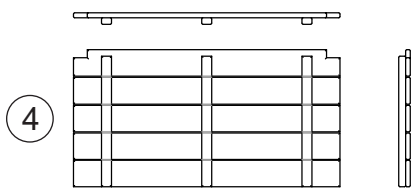
1
SIDE WALL ASSEMBLY
(2 REQ.)



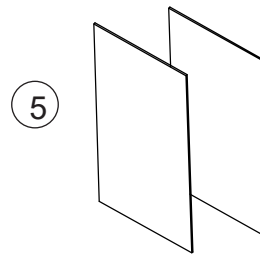
2
BACK WALL ASSEMBLY
(1 REQ.)



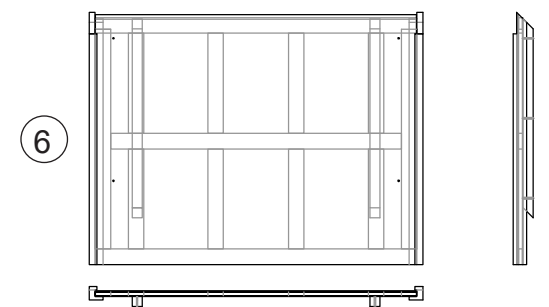
3
DOOR WALL ASSEMBLY
(1 REQ.)



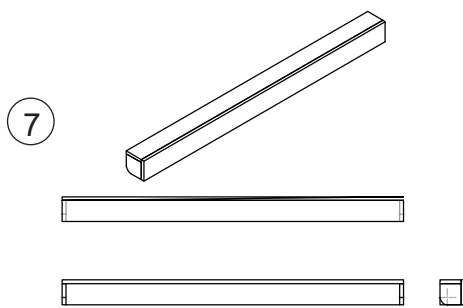
4
FLOOR SECTION ASSEMBLY
(2 REQ.)



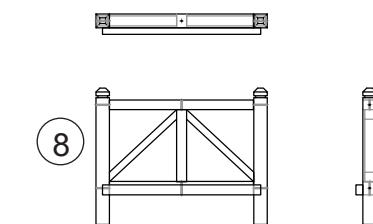
5
DOOR FLAP
(2 REQ.)



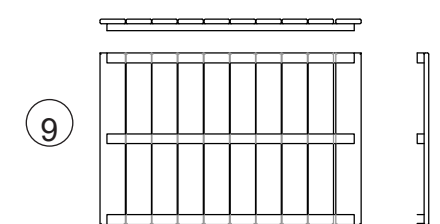
6
ROOF HALF ASSEMBLY
(2 REQ.)



7
RIDGE CAP
(1 REQ.)



8
PORCH WALL ASSEMBLY
(2 REQ.)



9
PORCH FLOOR ASSEMBLY
(1 REQ.)

Hardware

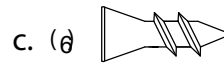
1/4"X1 5/8" SocketHeadBolts



1/4"x2 1/2"Socket Head Bolts



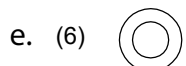
#6X3/8"WoodScrews



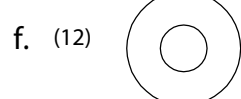
WS1/8 X 1" Wood Screw



#10 Flat Washer



1/4" Flat Washer



ALLEN WRENCH 1/4"



IF YOU HAVE ANY QUESTIONS OR ARE MISSING A PART, PLEASE VISIT:
www.creativecedardesigns.com



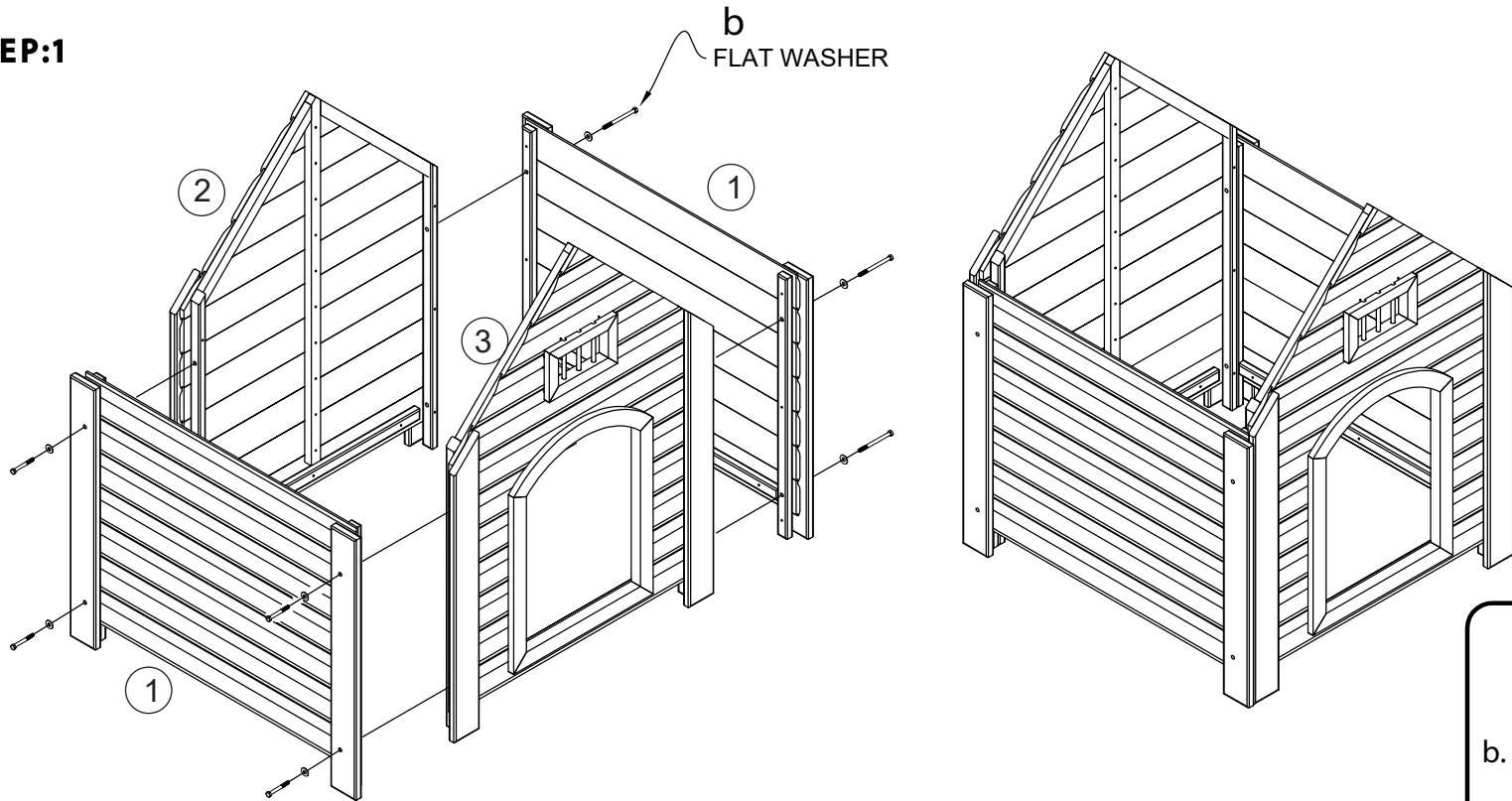
K-9 KASTLE

Assembly Instructions

Creative Cedar Designs


MODEL # 2515

STEP:1




Phase Hardware

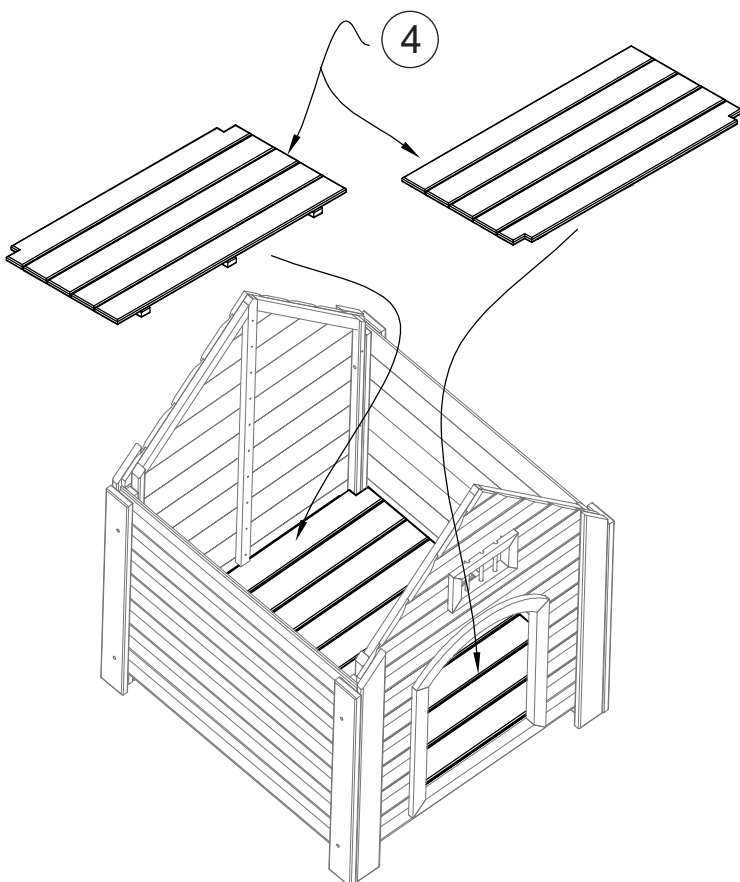
1/4"×2 1/2" Socket Head Bolts

b. (8) 

1/4" Flat Washer

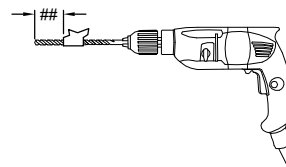
f. (8) 

STEP:2



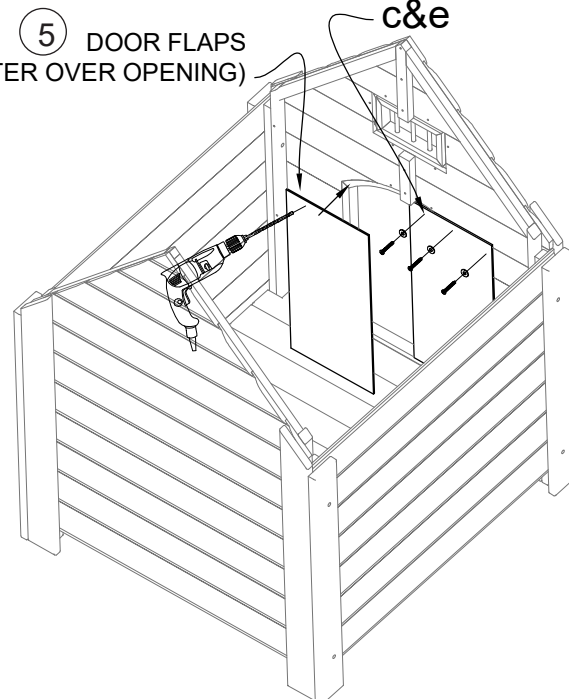
STEP:3

CONSIDER PLACING A STRIP OF TAPE ON THE DRILL BIT IN ORDER TO HELP GAUGE THE PRE-DRILL DEPTH




Pre drill through wall into door trim (to prevent splitting) use 1/16" drillbit 3/8" deep, for c&e

5 DOOR FLAPS (CENTER OVER OPENING)




Phase Hardware

#10 Flat Washer

e. (6) 

#6×3/8 Wood Screws

c. (6) 

K-9 KASTLE

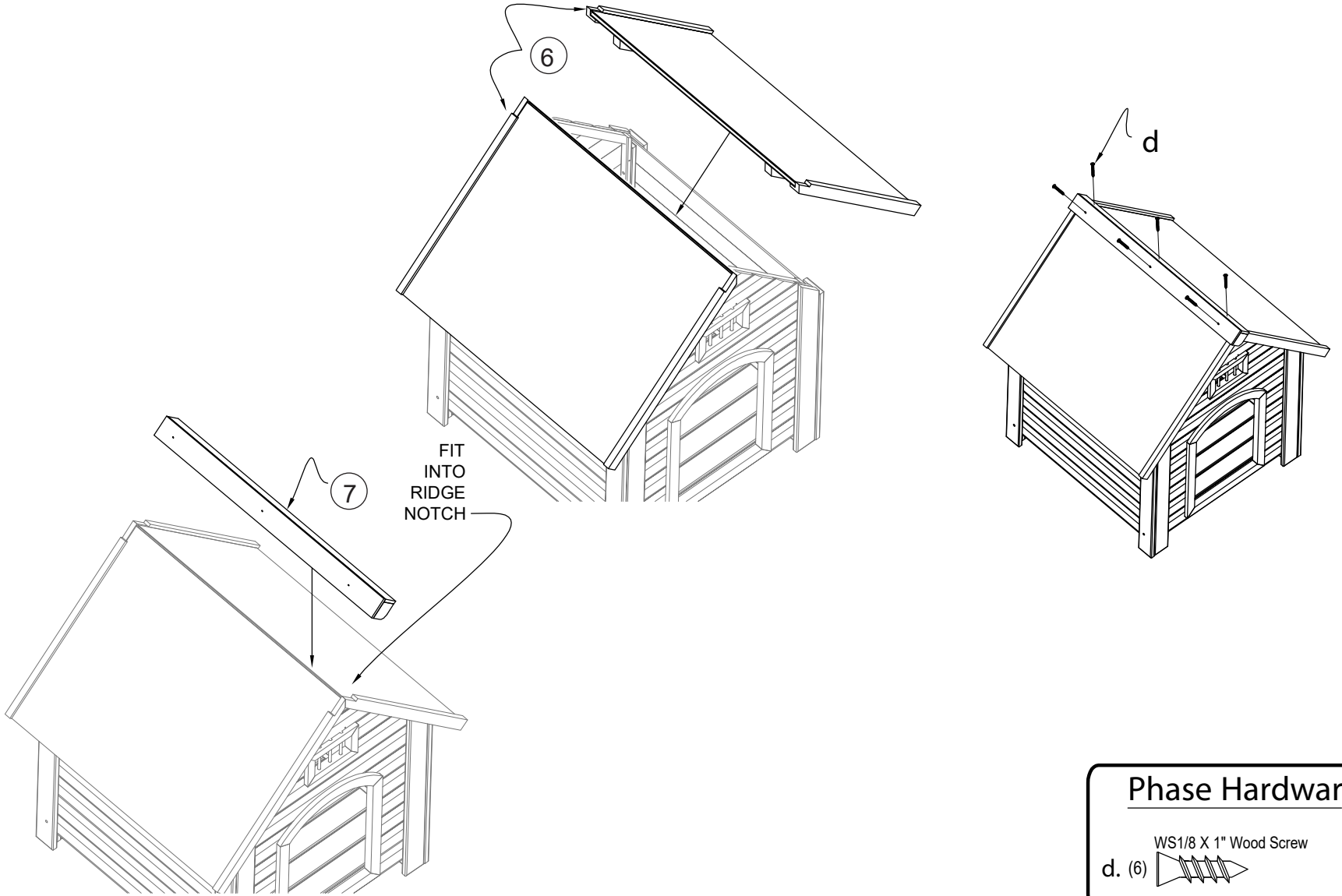
Assembly Instructions



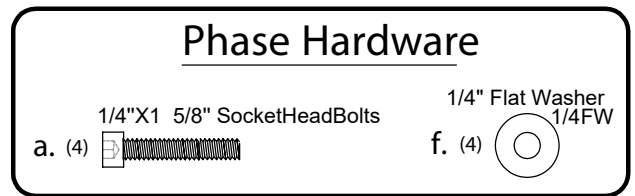
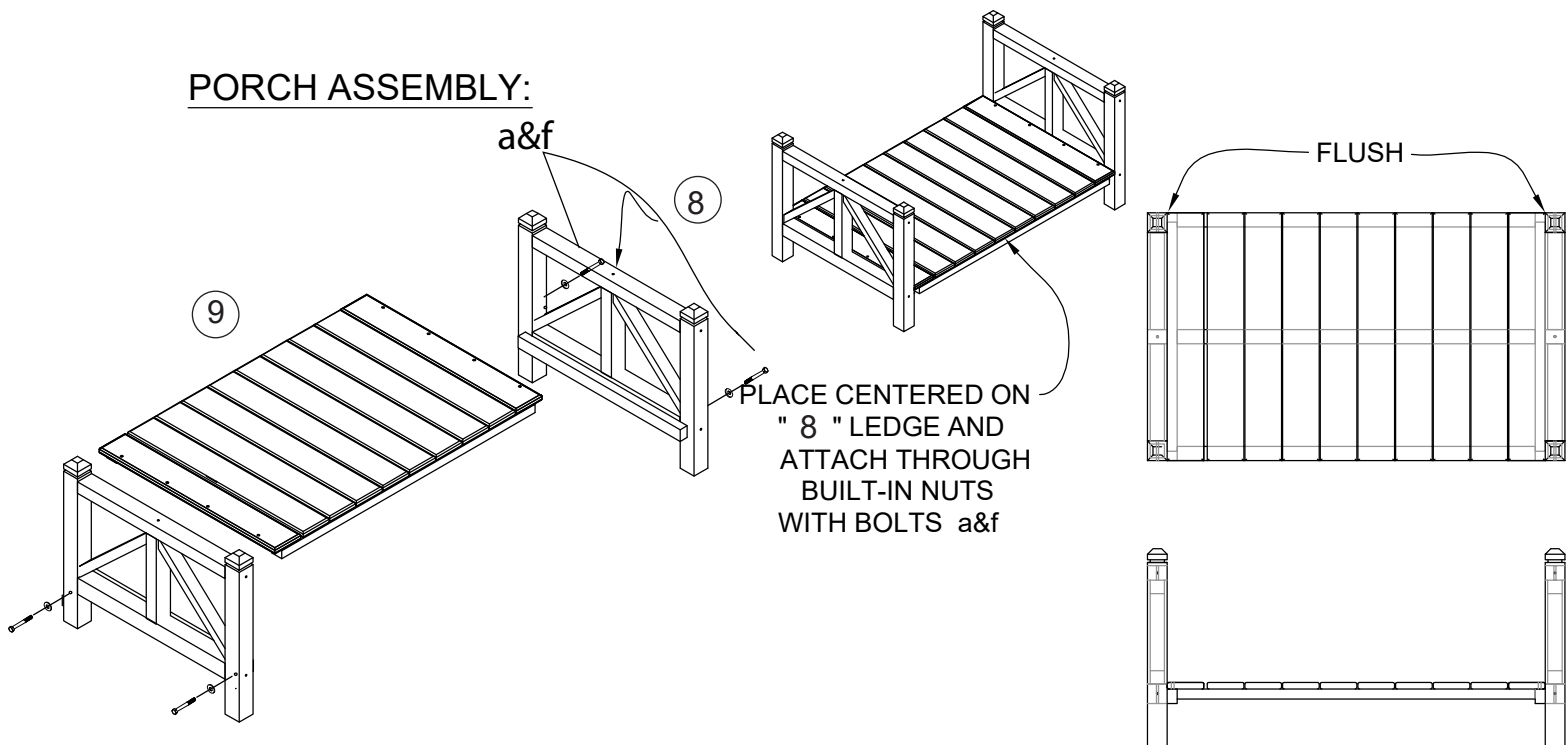
Creative Cedar Designs

MODEL # 2515

STEP:4



STEP:5



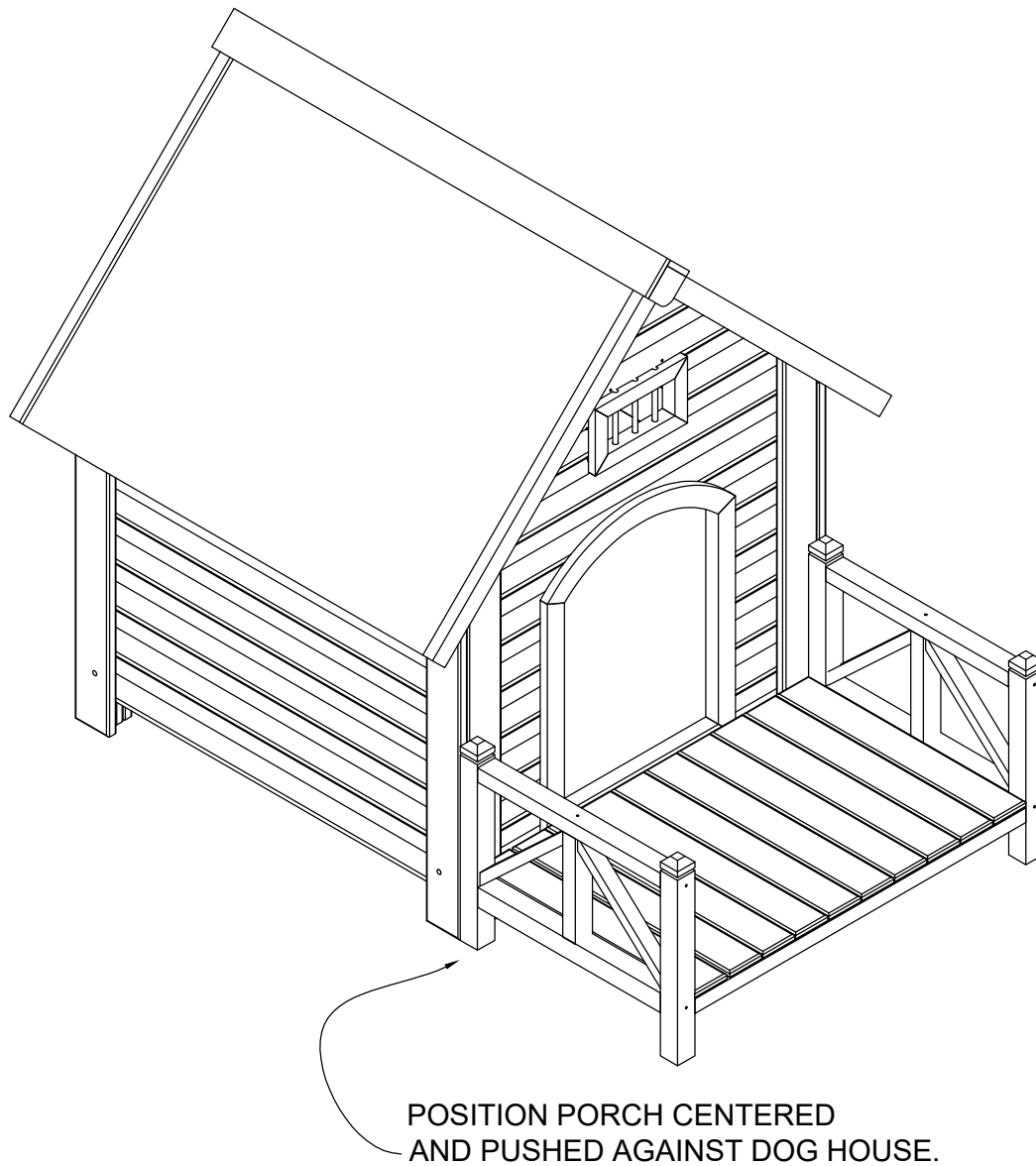


K-9 KASTLE

Assembly Instructions

Creative Cedar Designs

MODEL # 2515



Limited Warranty

Our customer service department will review the claim and make contact with the customer by email or by phone. The customer will only pay for shipping and handling to and from factory if warranty is approved.

1-888-363-4967

**Monday thru Friday: 9am to 4pm
Eastern Standard Time**

Creative Cedar Designs insures to the original owner of our product, that all the components of our set are free from defect in materials and will be warranted for one year from the date of purchase.

All defective parts that are discovered and reported in the first thirty days after purchase will be replaced at no charge to the registered customer. After thirty days of purchase, shipping and handling charges for replacement warranty parts will be passed on to the consumer.

All returned goods must be approved by our customer service department.
Our customer service department can be reached at **1-888-363-4967**.