









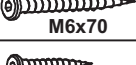
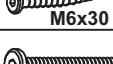
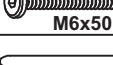

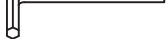
CARE AND MAINTENANCE

Store outdoor furniture indoors or cover well when it is not in use. Dust regularly with small brush or vacuum. Spills should be taken care of immediately before they harden or stain with a slightly dampened sponge.

NOTICE

Please make sure that you have all parts indicated before you begin assembly of this item.

Part List and Hardware List

PIECE	DESCRIPTION	PICTURE	QUANTITY
A	Back		1X
B	Seat		1X
C	Support		1X
D	Left side		1X
E	Right side		1X
G1	Allen Bolt L M6x70		2X
G2	Allen nut M6x50		2X
G3	Allen Bolt S M6x60		4X
G4	Allen Screw L M6x70		2X
G5	Allen Screw S M6x30		2X
G6	Extra Bolt M6x50		1X
G7	Wrench		1X
G8	Allen Key		2X

 **SAFAVIEH**
OUTDOOR LIVING

MODEL# PAT6700

Product Dimension: 33.46"W x 37.4"D x 32.68"H

Weight capacity : 300 lbs

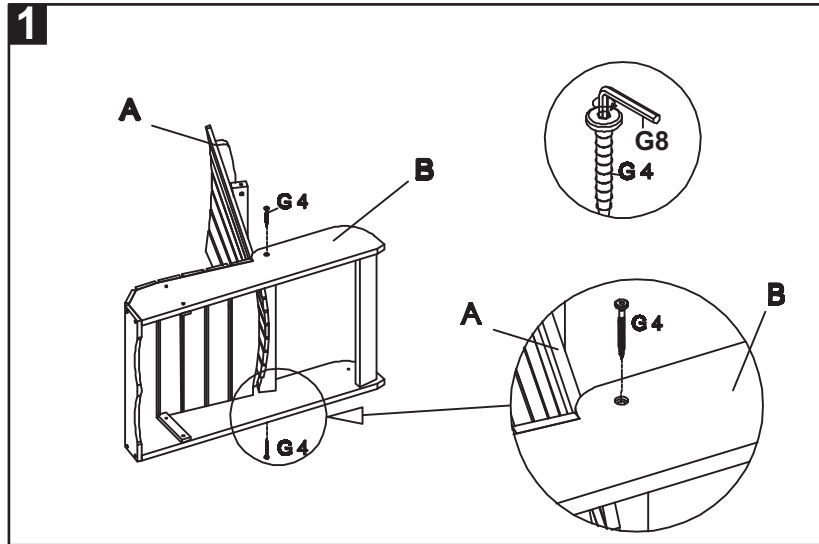
Warning : Do not stand on the chair

Warning : Do not torque bolts / screws

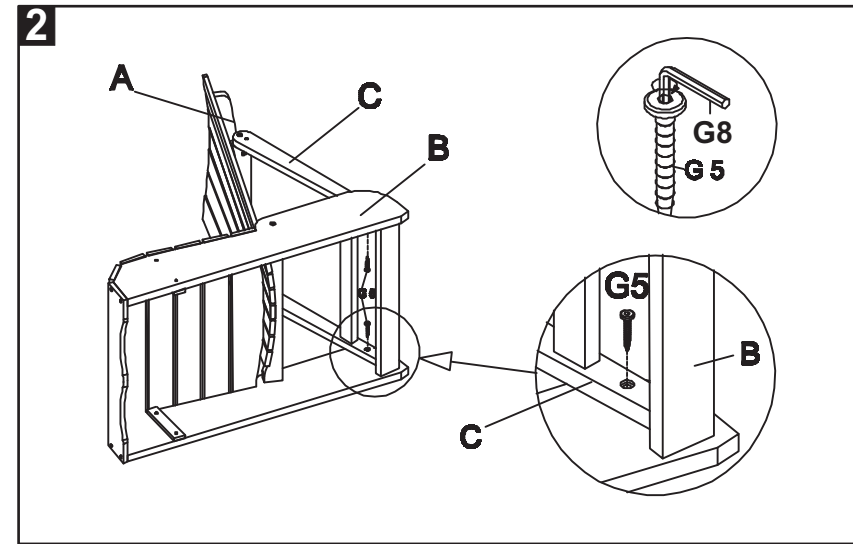


PREPARATION

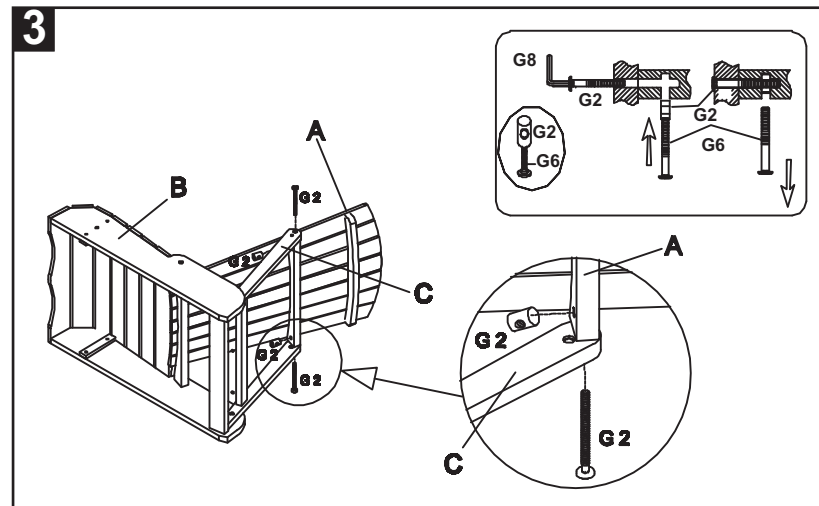
Before beginning the assembly of the product, make sure all parts are present. Compare the parts with the package contents list and hardware contents list. If any parts are missing or damaged, do not attempt to assemble the product. Tool required for assembly (included): Allen Key and Wrench.



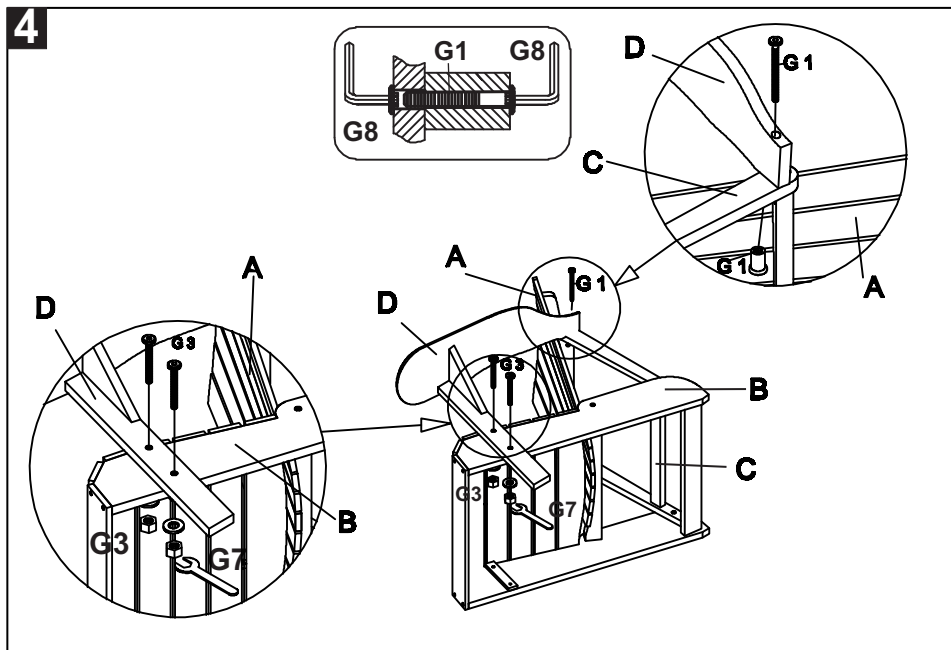
Step 1: put the back (A) inside the seat (B) use the Allen Screw L (G4) to attach it to the chair by using the Allen Key (G8) as shown on the picture.



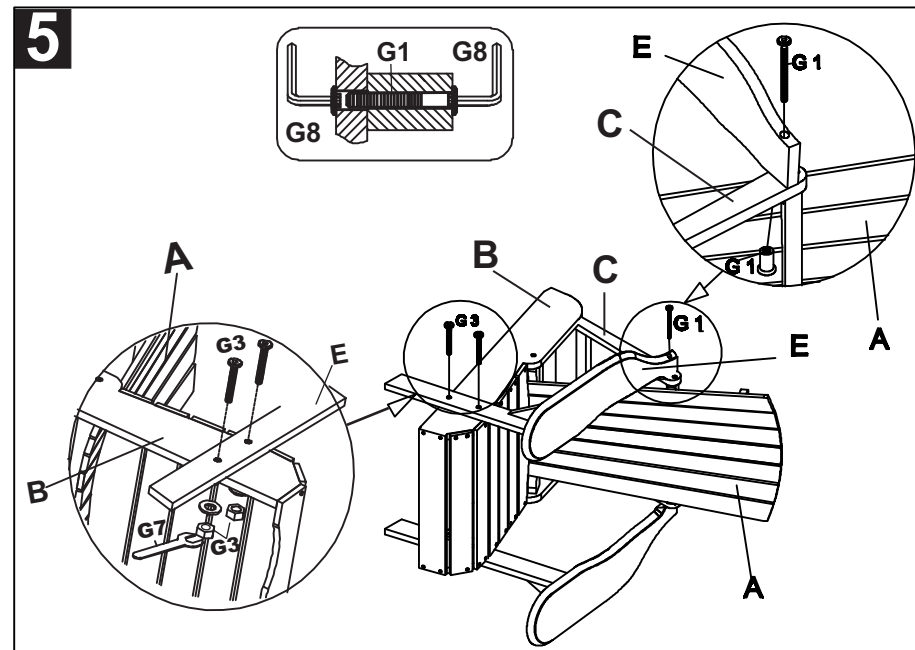
Step 2: attach the support (C) to the back (A) by using the Allen Screw S (G5) and tighten it with the Allen Key (G8) as shown on the picture.



Step 3: use the Allen nut (G2) to attach the support (C) to the back (A) and tighten it with the Allen Key (G8) as shown on the picture.



Step 4: attach the left side (D) as shown on the picture by using the Allen Bolt L (G1) and the Allen Bolt S (G3). Then tighten with the Allen Key (G8) and wrench (G7) as shown on the picture.



Step 5: continue with the right side (E) in the same way as step 4. Make sure to tighten all bolts before using.