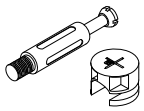
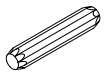


A



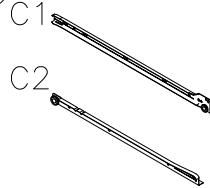
32PCS

B



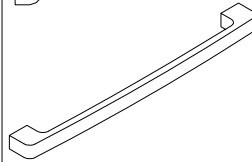
12PCS

C



2PCS

D



2PCS

E

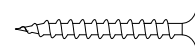
3.5\*14



16PCS

F

3.5\*35



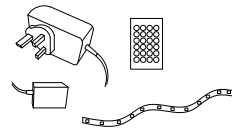
8PCS

G

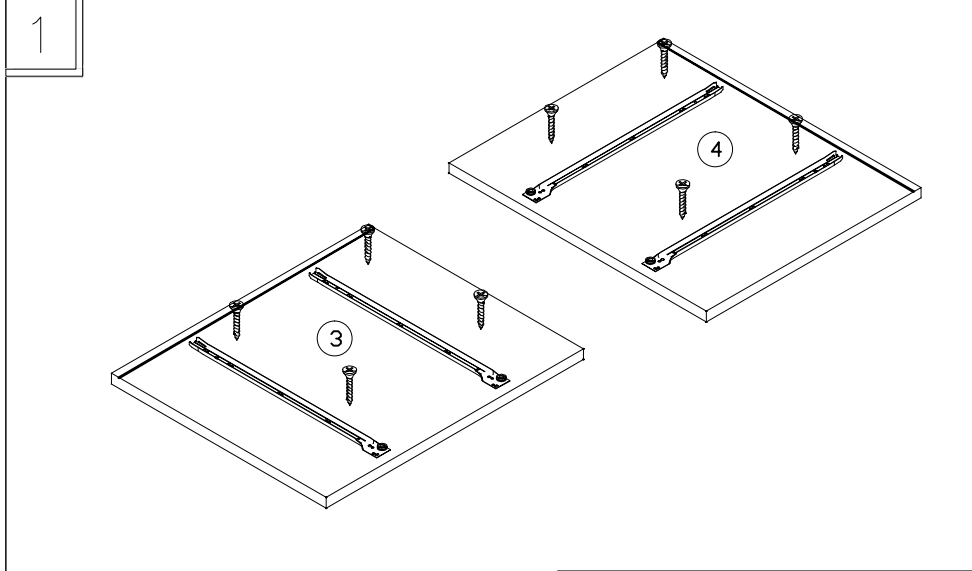


4PCS

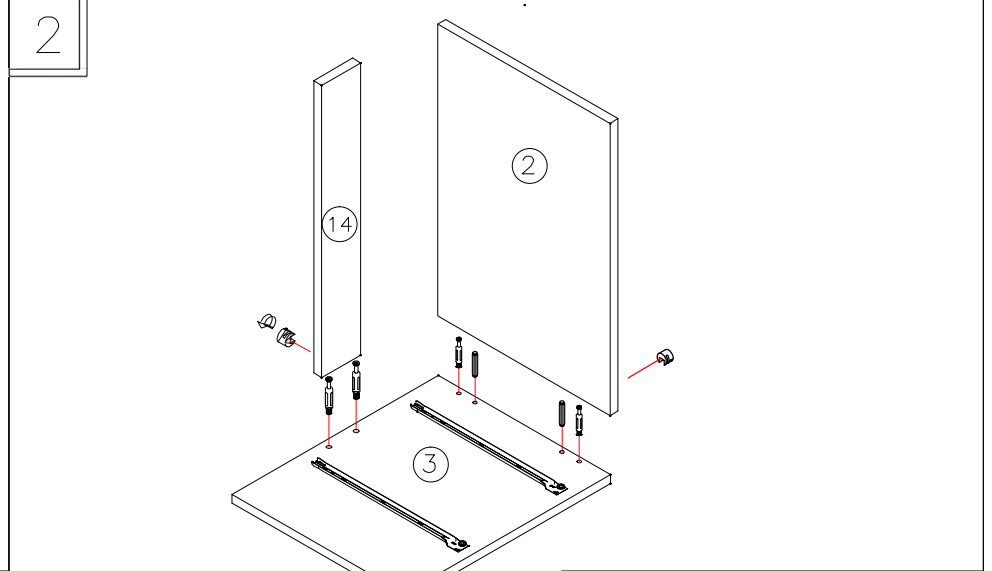
LED



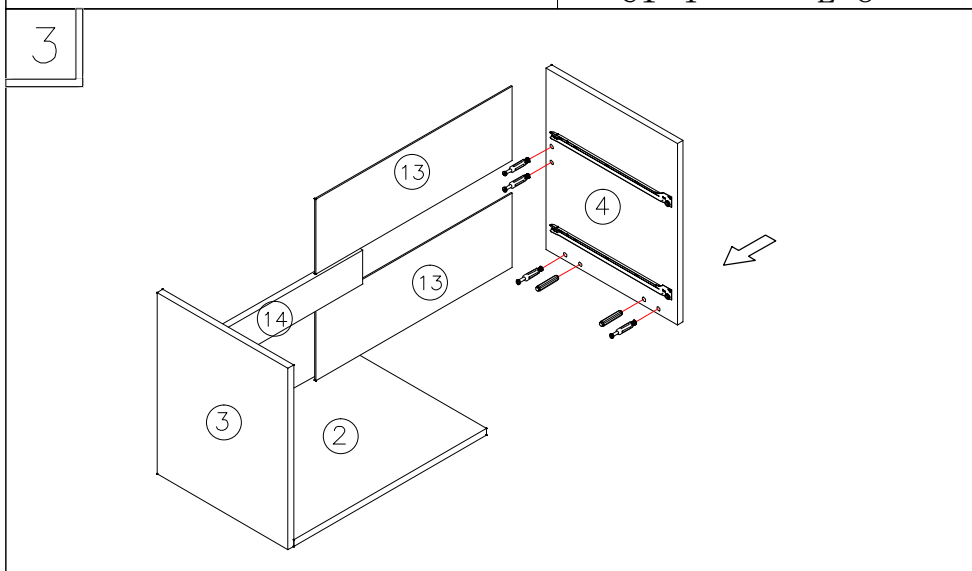
1PCS



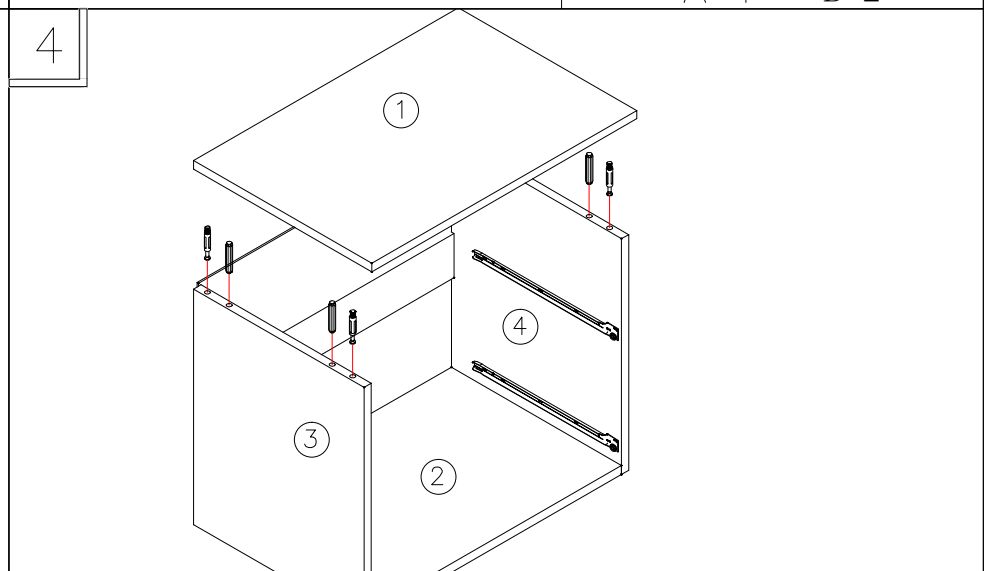
C1\*4 E\*8



A\*4 B\*2

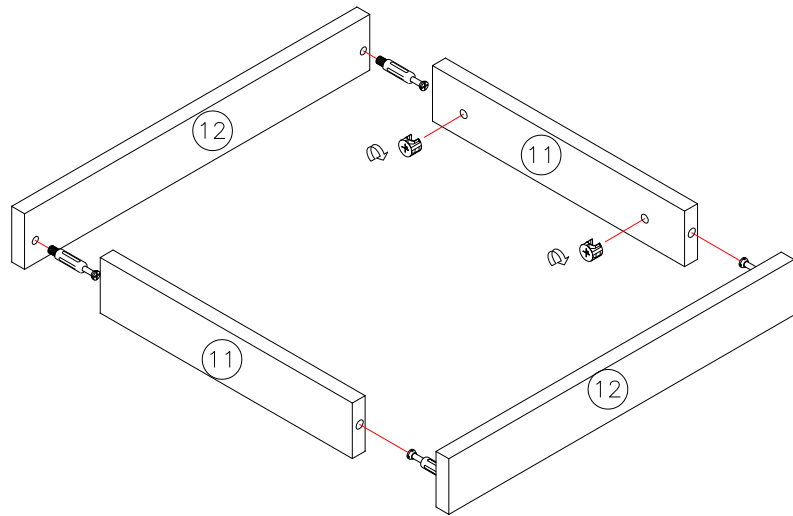


A\*4 B\*2



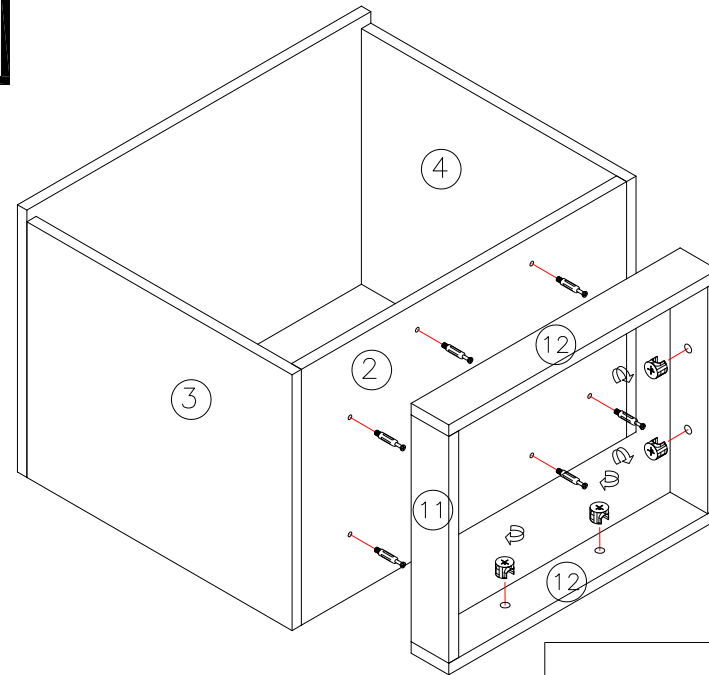
A\*4 B\*4

5



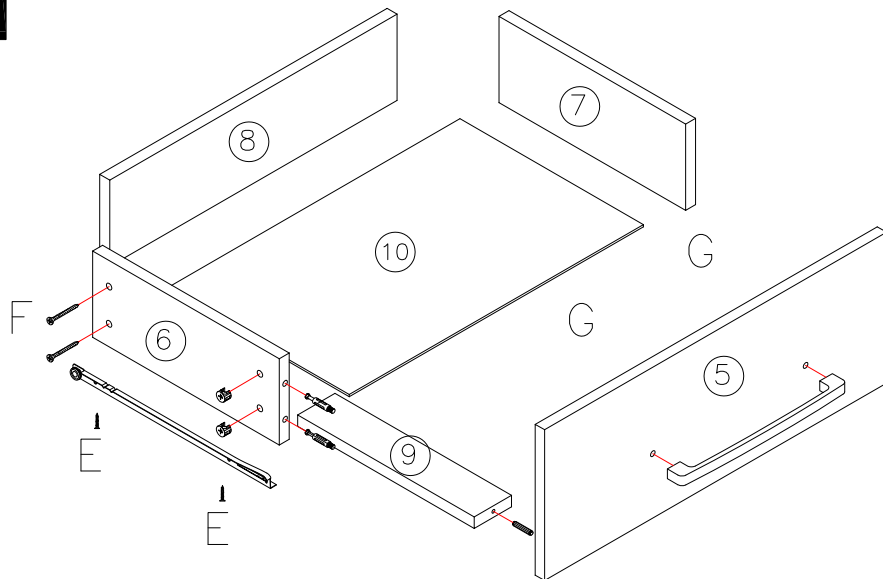
A\*4

6



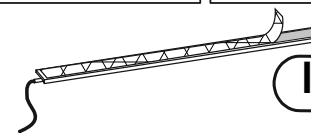
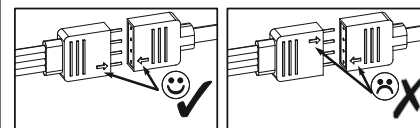
A\*8

7



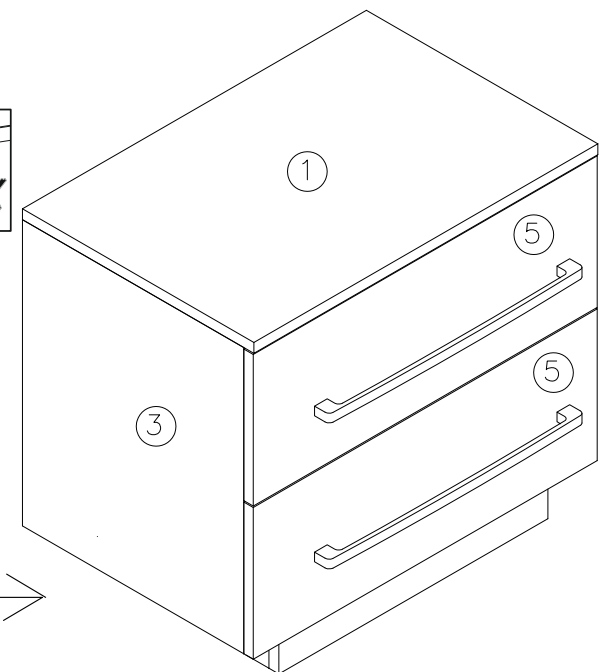
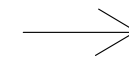
A\*4 B\*2 C2\*2 D\*1 E\*4 F\*4 G\*2

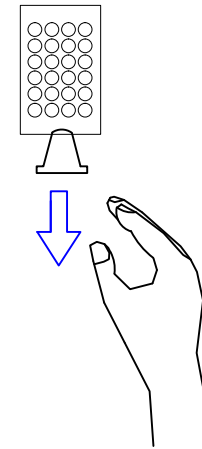
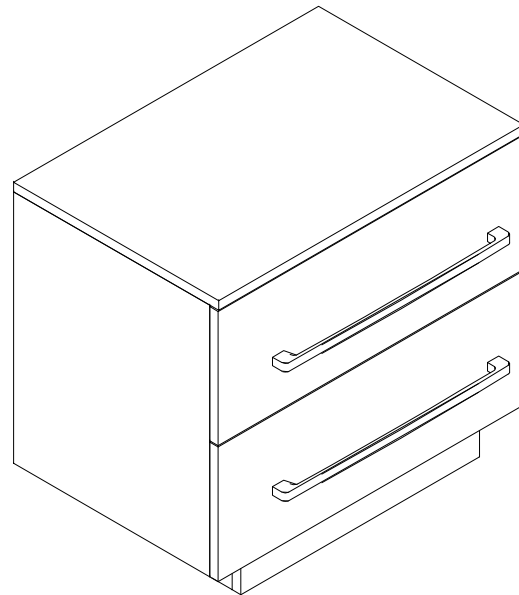
8



led

The following  
installation LED  
lights





After the installation was complete, remove the plastic gasket on the remote control, then align the sensor on the LED light for remote operation.