

Ceiling Fan with Light

CAUTION

**READ INSTRUCTIONS CAREFULLY FOR
SAFE INSTALLATION AND FAN OPERATION**

Catalogue

Safety Rules.....	3
Package Content.....	4
Installation Preparation.....	5
Install Your Fan.....	6
Wiring Diagram.....	7
Intelligent Remote Control.....	8

SAFETY RULES

1. To reduce the risk of electric shock, turn off the electricity to the fan at the main fuse box or circuit panel before beginning.
2. All wiring must be in accordance with the local electrical codes or National Electrical Code. Electrical installation should be performed by a qualified licensed electrician.
3. To avoid personal injury, the use of gloves may be necessary while handling fan parts with sharp edges.
4. **WARNING:** To reduce the risk of fire, electric shock, or personal injury, mount fan only to an outlet box marked acceptable for fan support and use mounting screws provided with the outlet box. Most outlet boxes commonly used for the support of lighting fixtures are not acceptable for fan support and may need to be replaced. Consult a qualified electrician if in doubt.
5. The outlet box and ceiling support structure must be securely mounted and capable of supporting at least 10 KGS.
6. To avoid personal injury or damage to the fan and other items, be cautious when working around or cleaning the fan.
7. Do not use water or detergents when cleaning the fan or fan blades. A dry dust cloth or lightly dampened cloth will be suitable for most cleaning.
8. After making electrical connections, spliced conductors should be turned upward and pushed carefully up into the outlet box. The wires should be spread apart with the grounded conductor and the equipment- grounding conductor on one side of the outlet box.
9. Electrical diagrams are for reference only.
10. The fan is more suitable for indoor use.

PACKAGE CONTENT

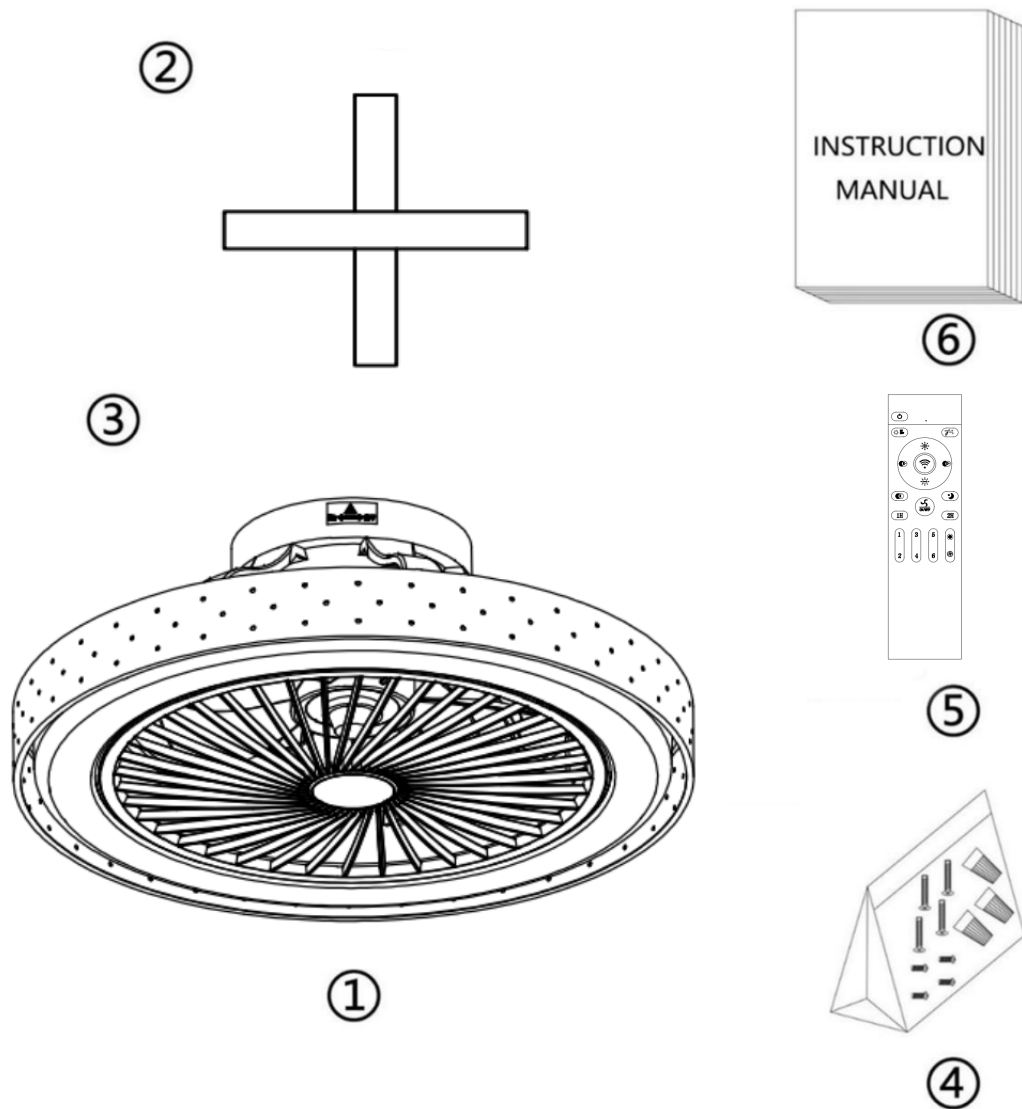
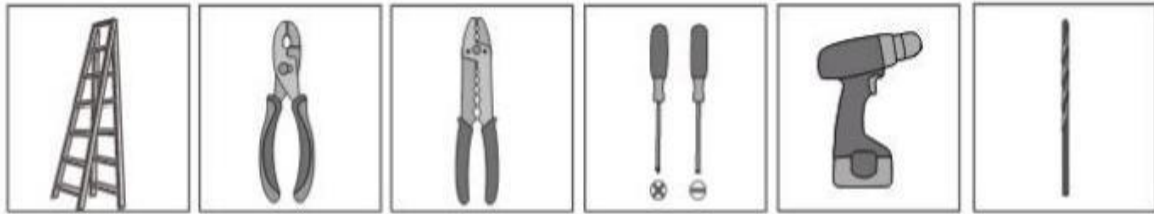


Figure 1

Name	QTY	Name	QTY
①Ceiling Fan	1	④Hardware Kit	1
②Hanger Bracket	1	⑤Remote Control	1
③Assisted Hook	1	⑥Manual	1

Installation Preparation

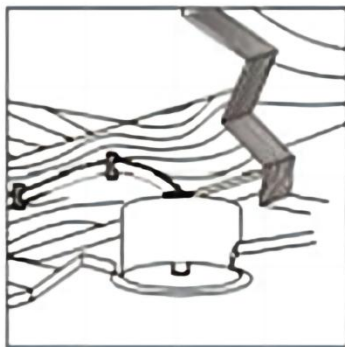
Tools Required



- Ladder
 Pliers
 Wire Strippers
 Screwdrivers
 Power Drill (Optional)
 Drill Bit (Optional)

Figure 2

What to Expect with Your Installation Conditions



- Be able to secure the fan to ceiling support structure and electric box



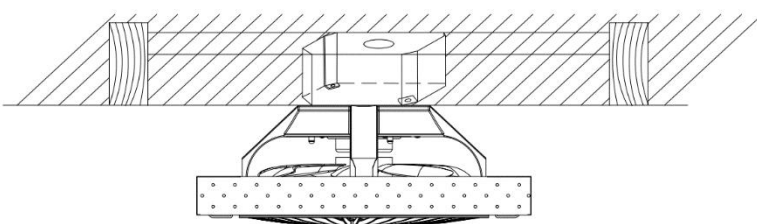
- Easy installation can be performed by one person



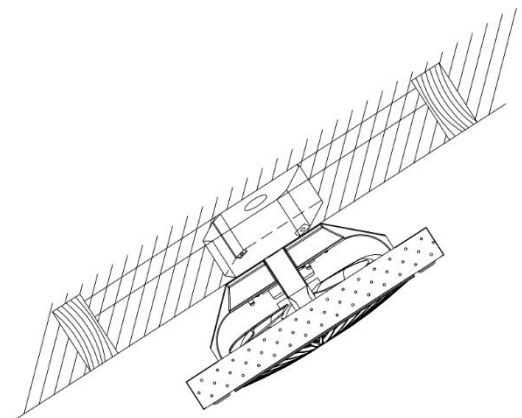
- Available for slanted ceiling angle less than 90°

Figure 3

Mounting Options



- Installation for Horizontal Ceiling



- Installation for Slanted Ceiling

Figure 4

Install Your Fan

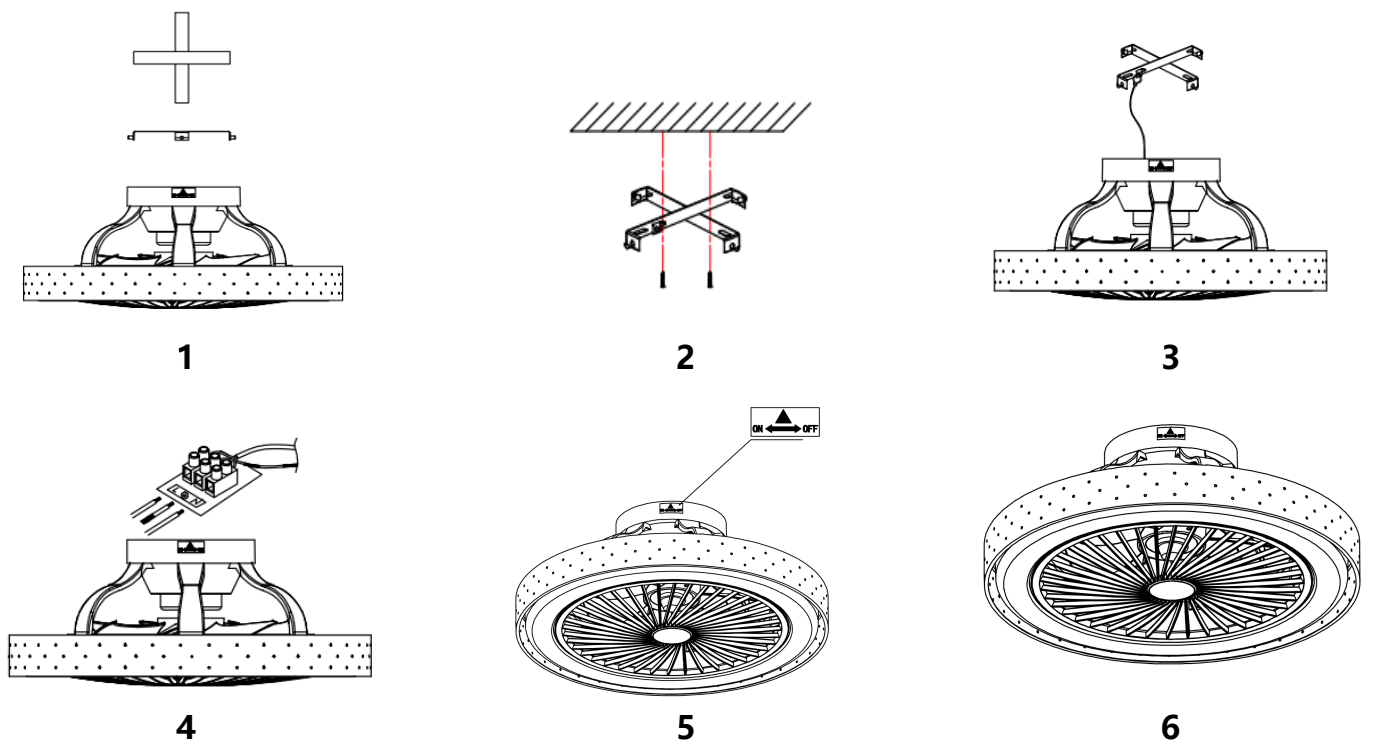


Figure 5

1. Remove the bracket from the ceiling fan
2. Fix the hanging board to the ceiling and make sure it is secure
3. Lift the ceiling fan and hang the assisted hook onto the bracket
4. Connect the ground wire, neutral wire, and live wire.
5. Align the ceiling fan with the bracket, rotate and fix it in the direction, and confirm safety
6. After confirming that everything is installed as required, power on testing can be conducted

Wiring Diagram

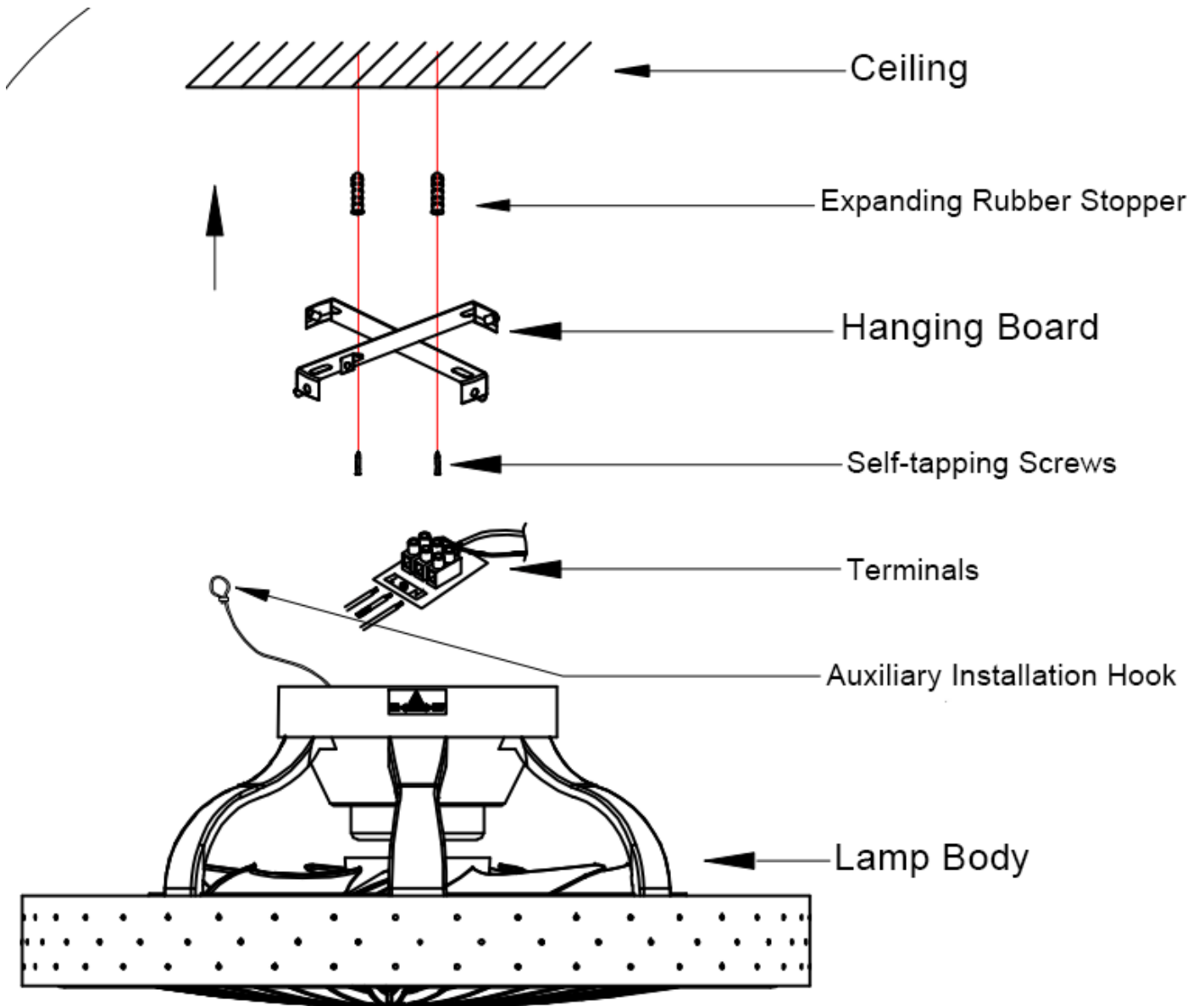


Figure 6

Live wire((**brown**), neutral wire((**blue**)) and earth wire are connected to the power correspondingly as shown in Figure 6.

Note: The other end of assisted hook should be fixed on hanger bracket to hold the light while performing installation. The assisted hook doesn't have to be taken down when installation is completed, it could stay attached to the bracket and fan base as a safety hook.

Intelligent Remote Control

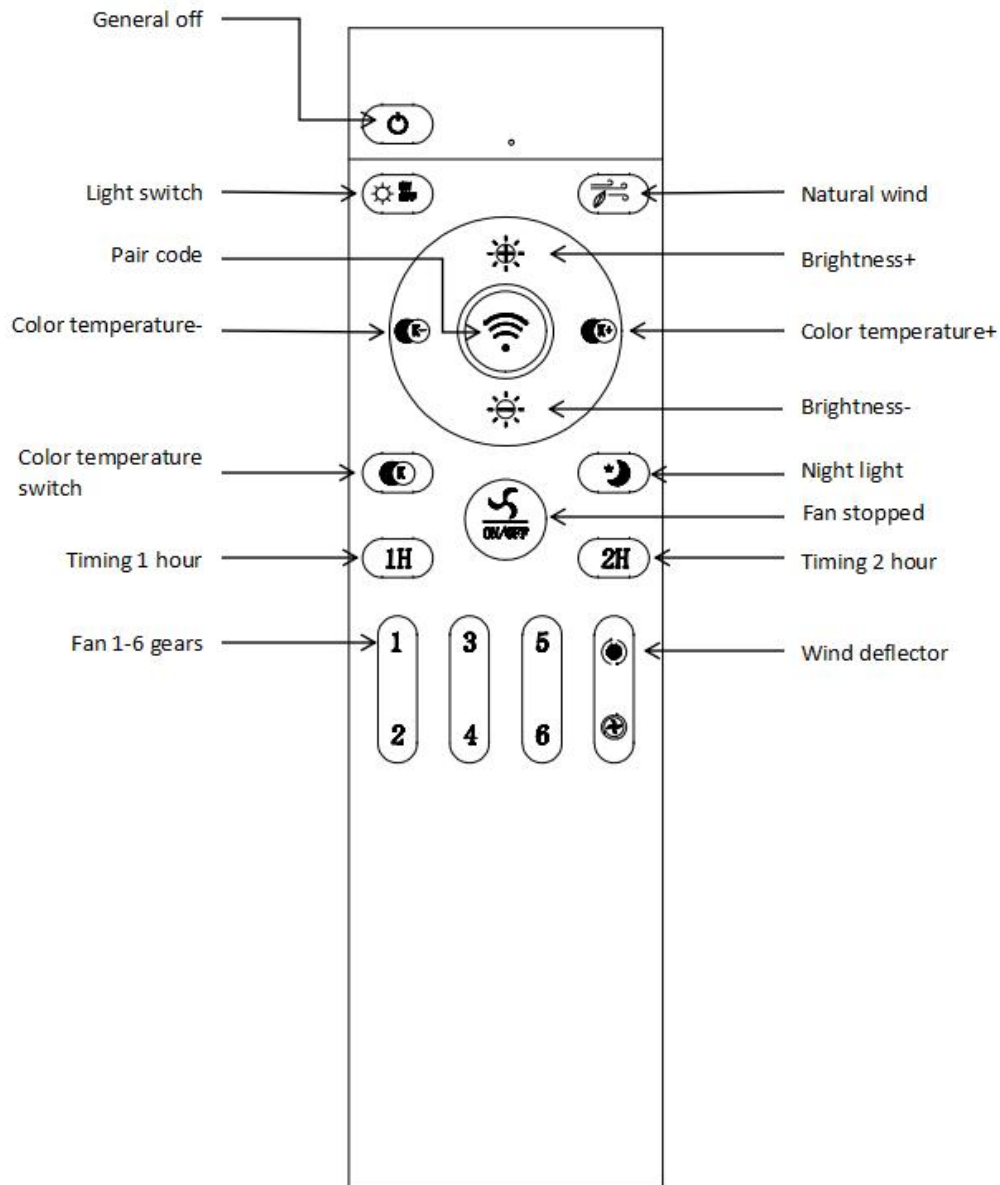


Figure 7

NOTE: If the remote does not work with the fan/light, please pair it with the fan by holding the button “PAIRCODE” after powering on the fan. Indicator light flashes, the code match is successful.

The interface version of the remote control may be finetuned according to the actual situation, subject to the actual product received, which does not affect the normal use of various functions. Batteries are not included.