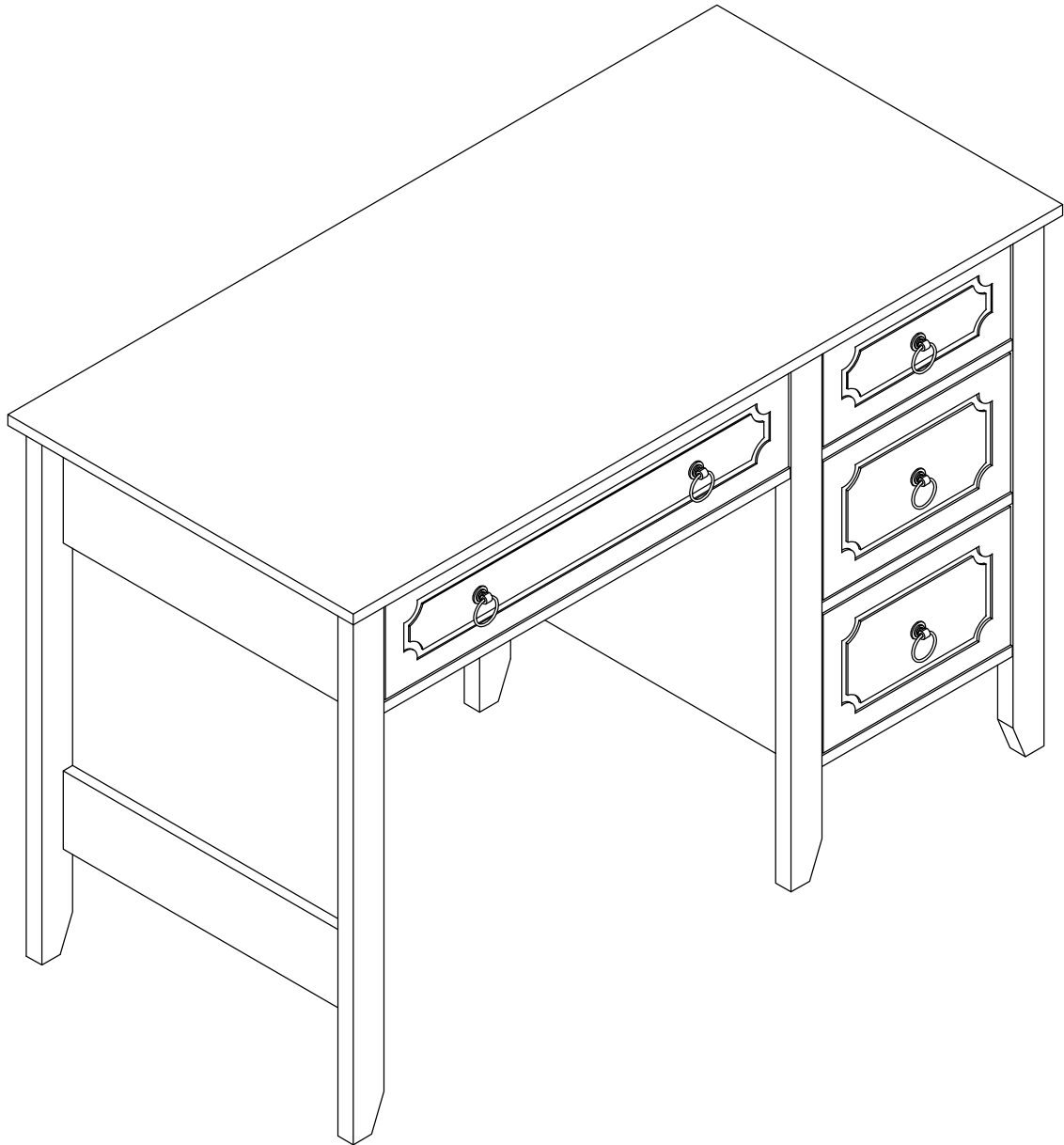
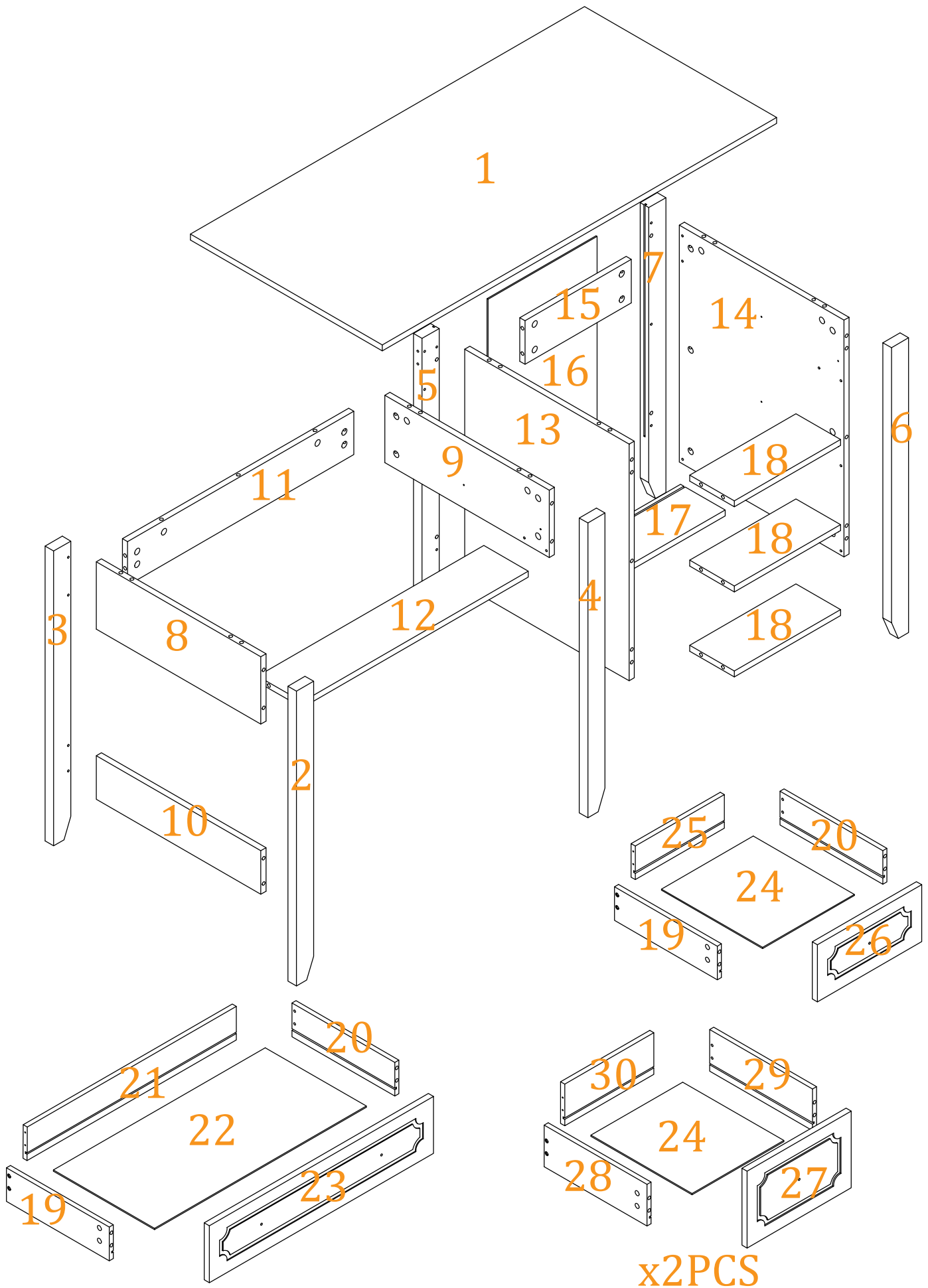


SKU:SF001032



ASSEMBLY INSTRUCTIONS



Trouble Shooting

Missing/Damaged pieces/
Wrong size and installation issues



Contact us with your problem, pic,
number and qty to the "Contact seller"
button in the detail page of your order



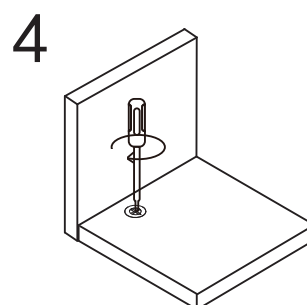
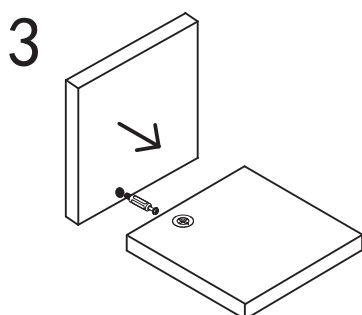
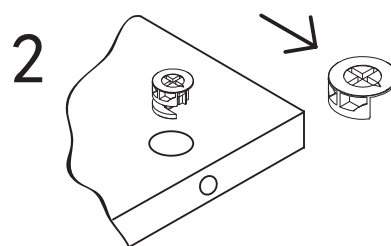
Respond with 24 hours to solve issue

Before You Start

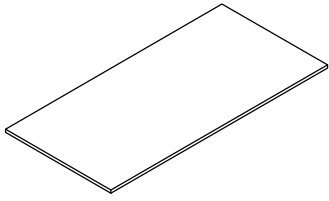
1. Read through each step carefully and follow the proper order
2. Separate and count all your parts and hardware
3. Give yourself enough room for the assembly process
4. Caution: If using a power drill or power screwdriver for screwing, please be aware to slow down and stop when screw is tight. Failure to do so may result in stripping the screw

Cam Lock Fastening System

This Cam Lock Fastening System will be used throughout the assembly process

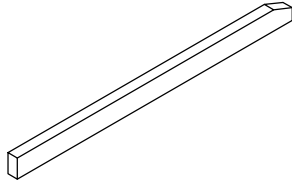


Parts List



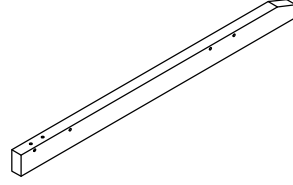
1

1PC



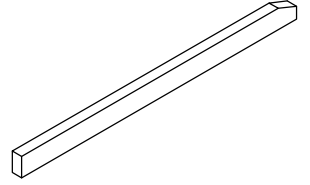
2

1PC



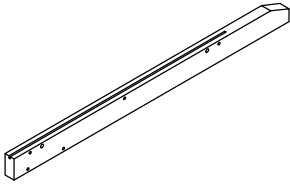
3

1PC



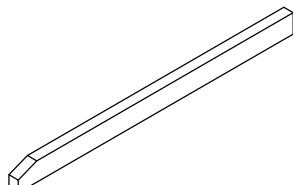
4

1PC



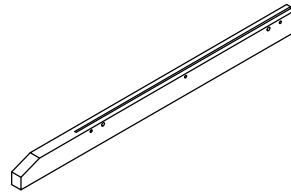
5

1PC



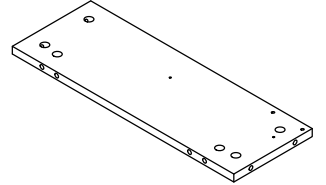
6

1PC



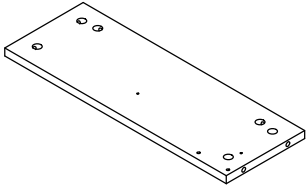
7

1PC



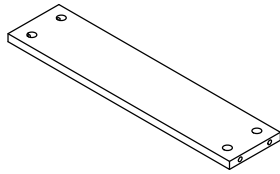
8

1PC



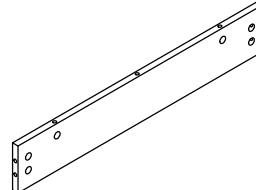
9

1PC



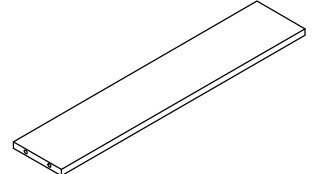
10

1PC



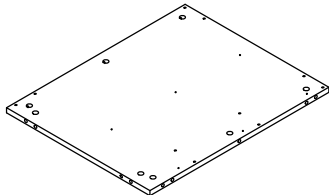
11

1PC



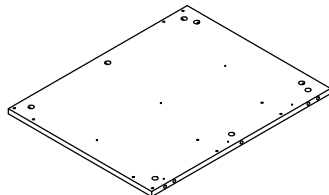
12

1PC



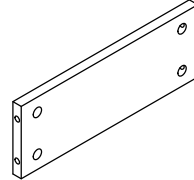
13

1PC



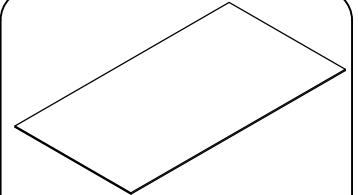
14

1PC



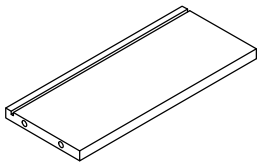
15

1PC



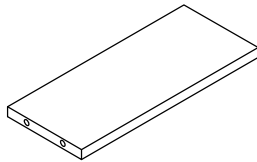
16

1PC



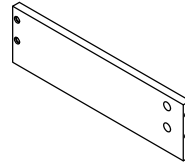
17

1PC



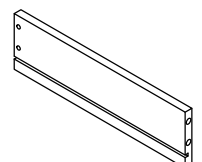
18

3PCS



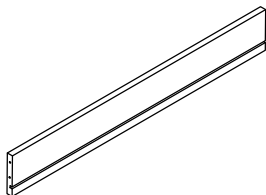
19

2PCS



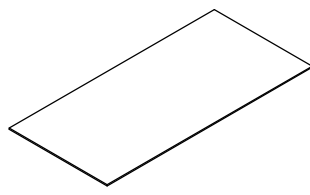
20

2PCS



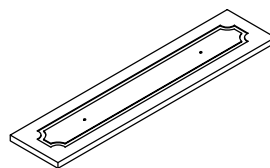
21

1PC



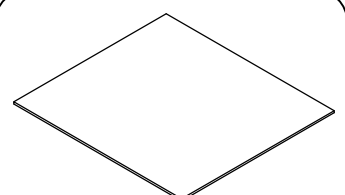
22

1PC



23

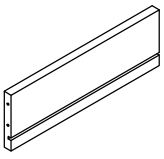
1PC



24

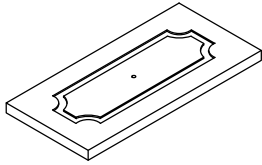
3PCS

Parts List



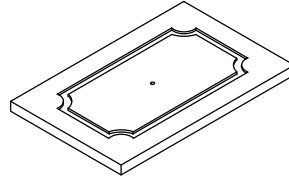
25

1PC



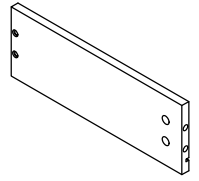
26

1PC



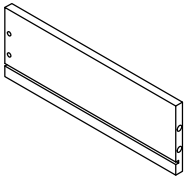
27

2PCS



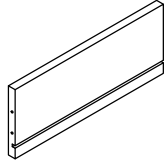
28

2PCS



29

2PCS



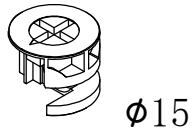
30

2PCS

Hardware List



A 78PCS



φ15

B 62PCS



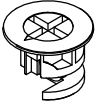
Ø8*30mm

C 17PC



Ø4*40mm

D 16PC



φ12

E 16PCS



φ3*12mm

F 32PCS

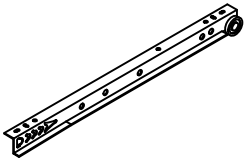


G 5PCS

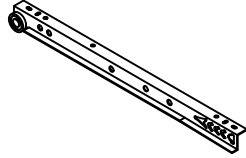


M4*18MM

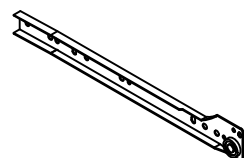
H 5PCS



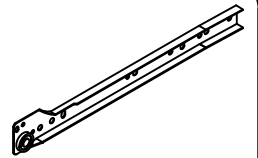
I 4PCS



J 4PCS



K 4PCS

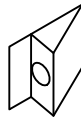


L 4PCS



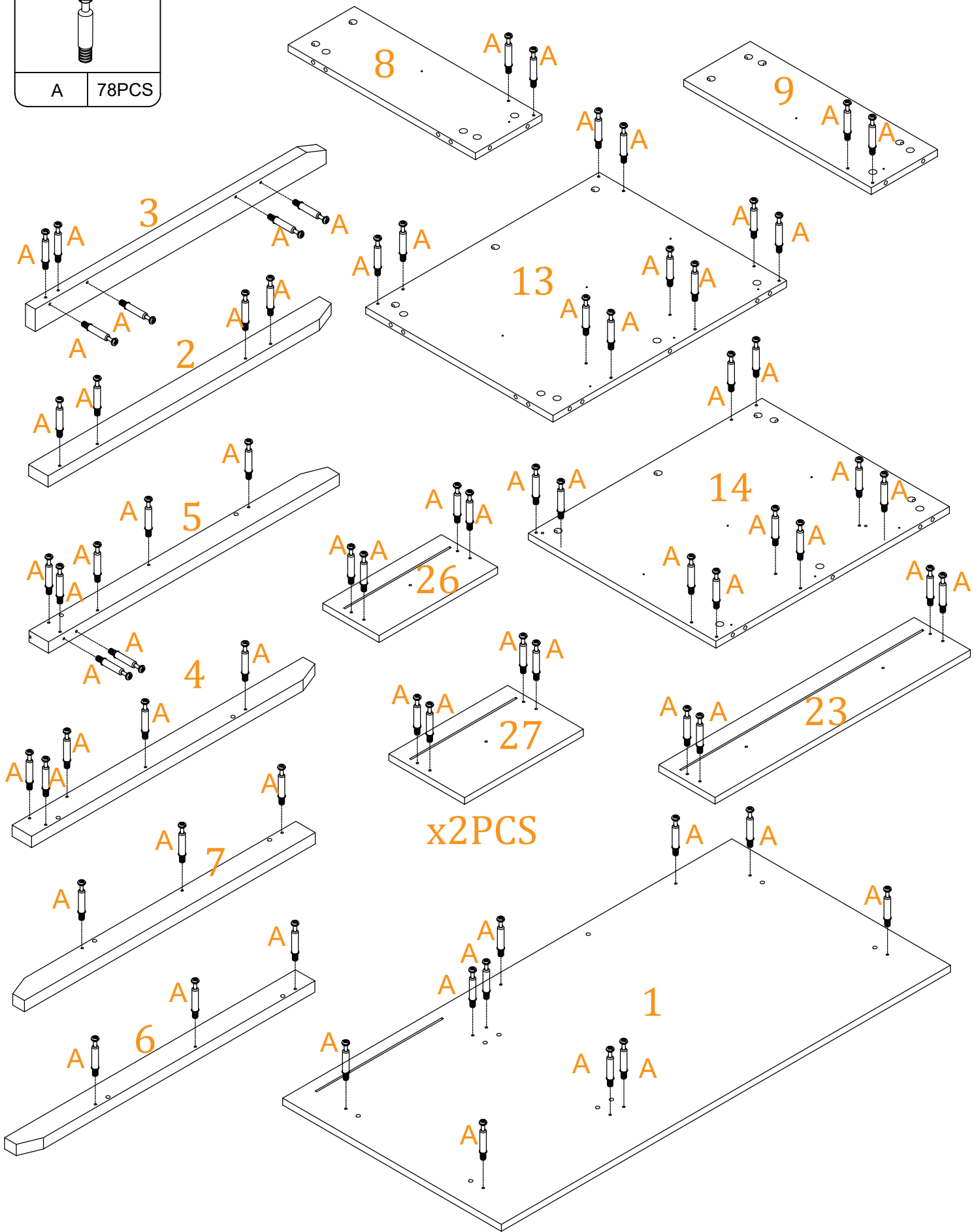
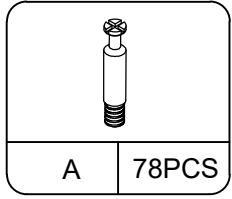
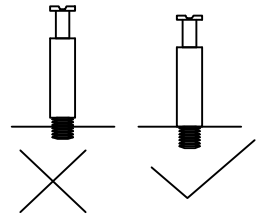
φ3*14mm

M 4PCS

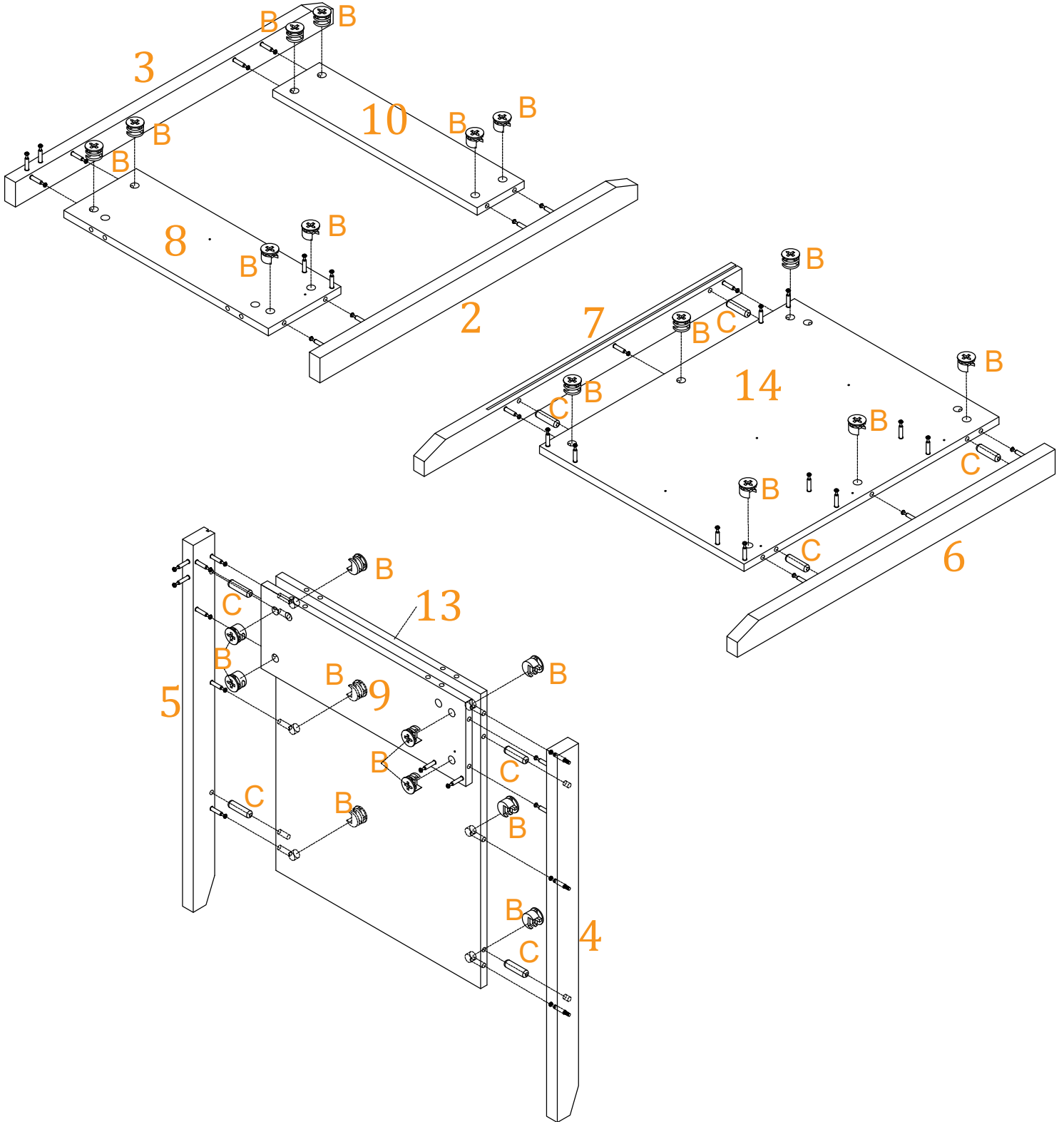
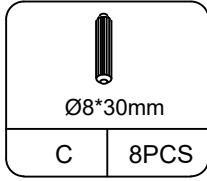
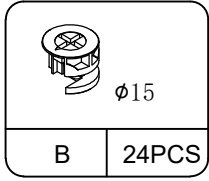


N 4PCS


STEP 1

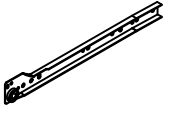


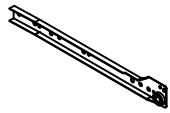
STEP 2

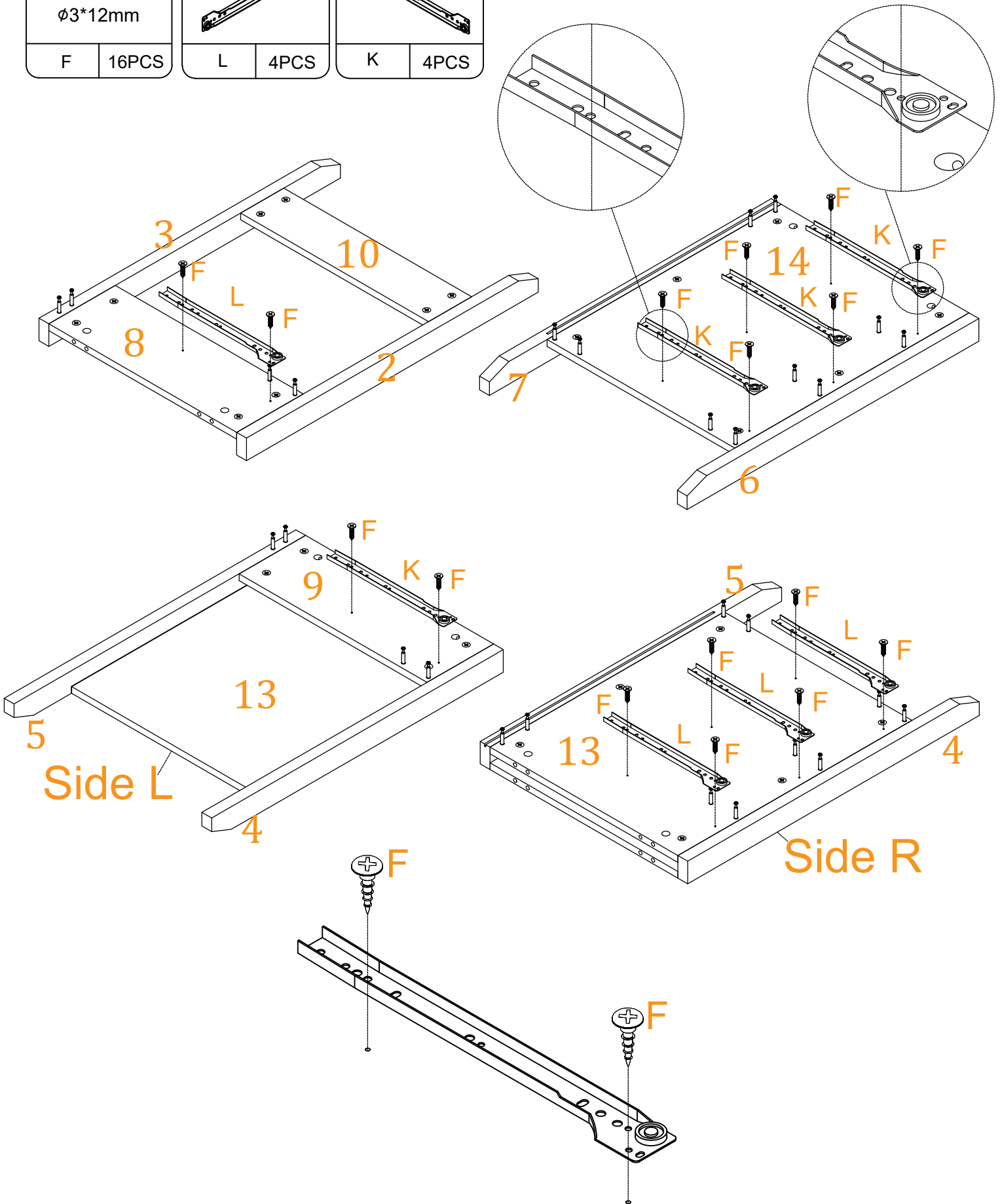


STEP 3

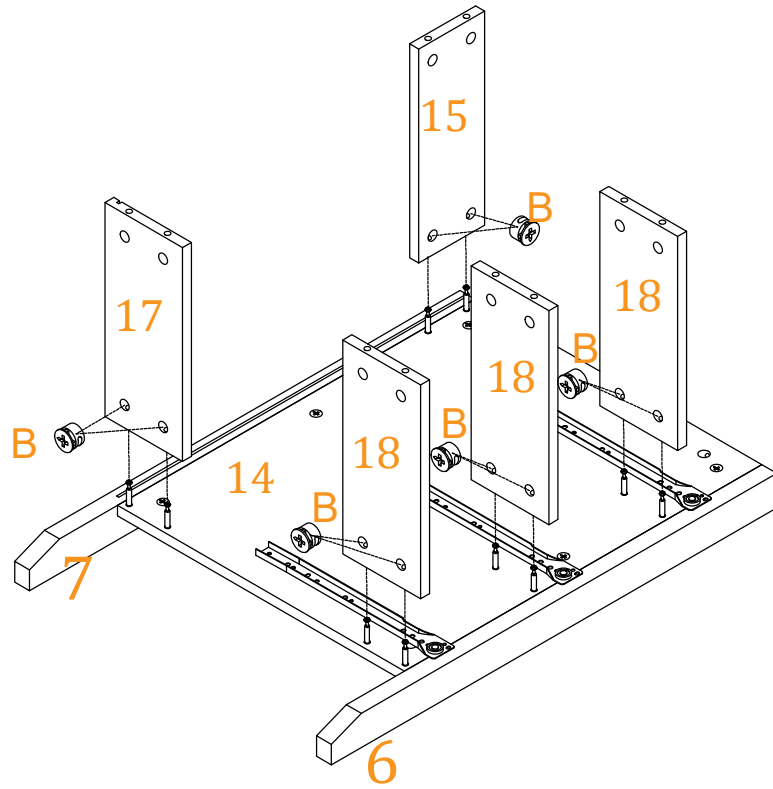
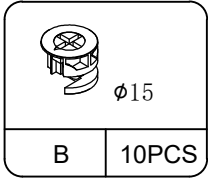
 ø3*12mm	
F	16PCS

	
L	4PCS

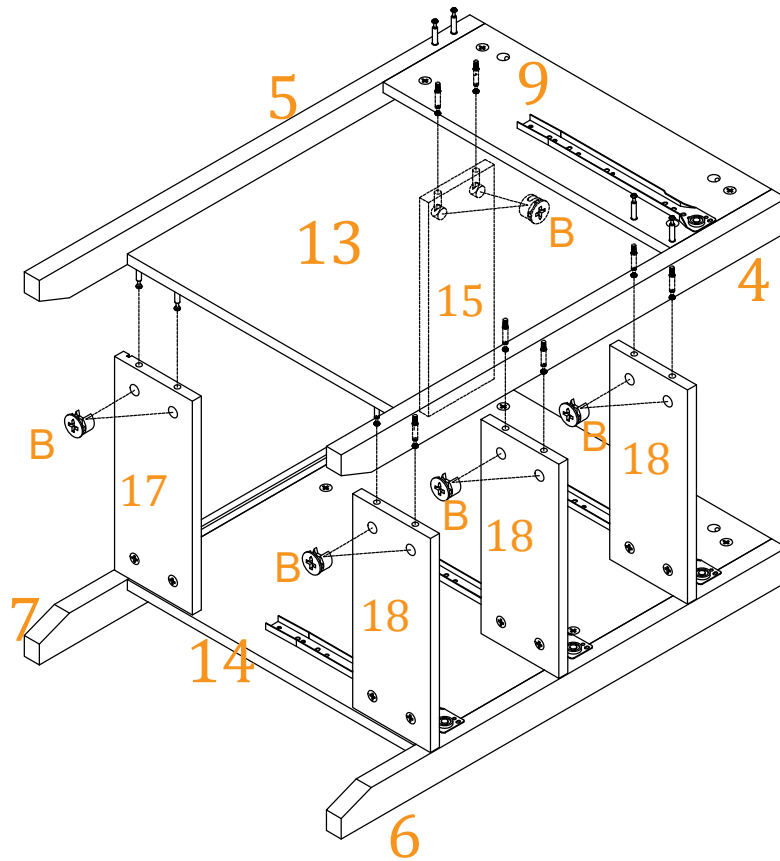
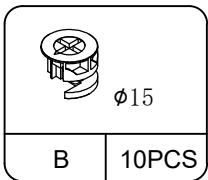
	
K	4PCS



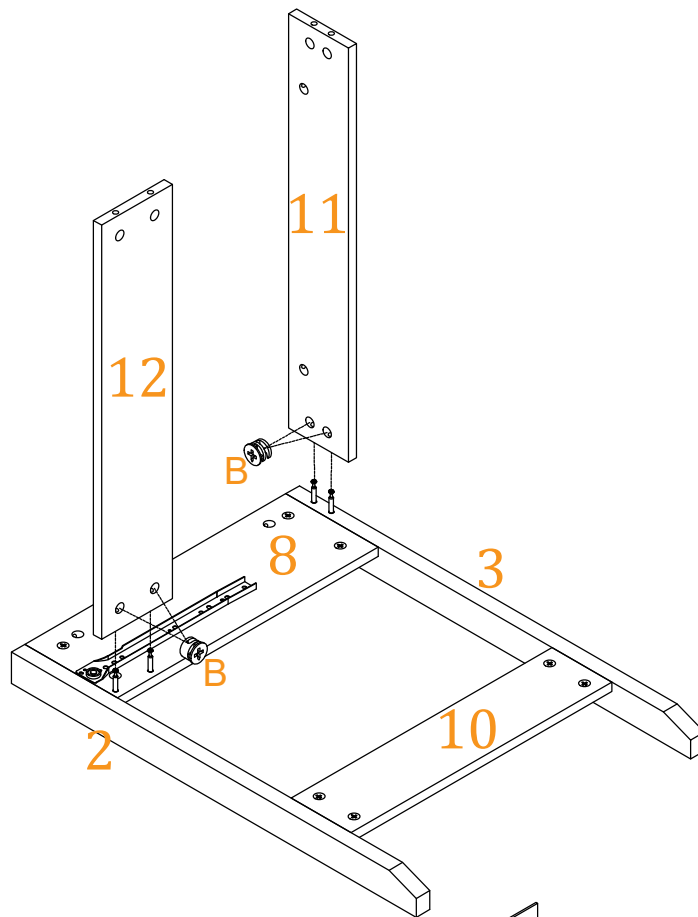
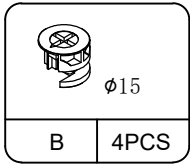
STEP 4



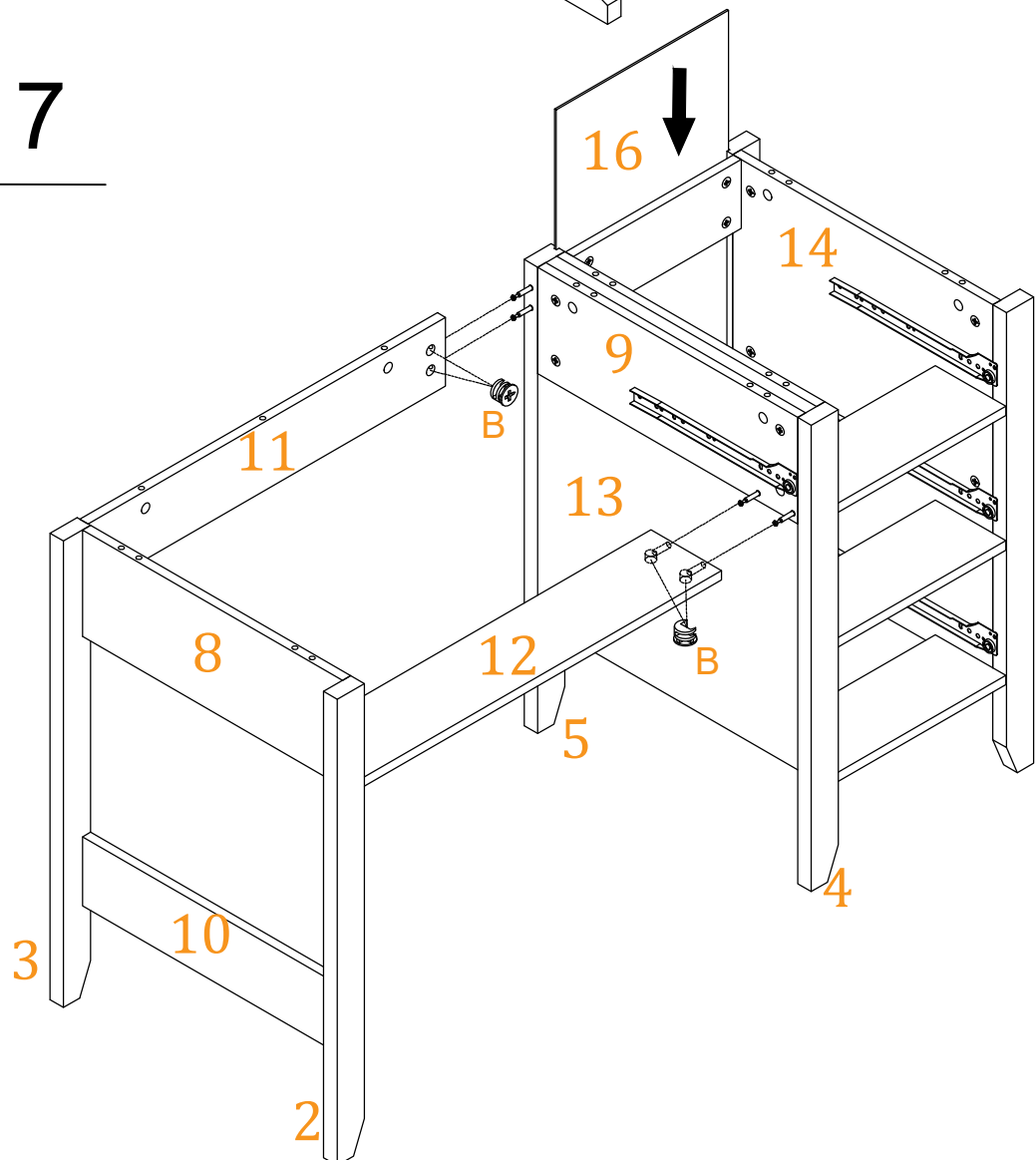
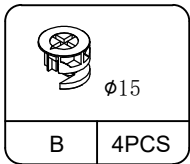
STEP 5



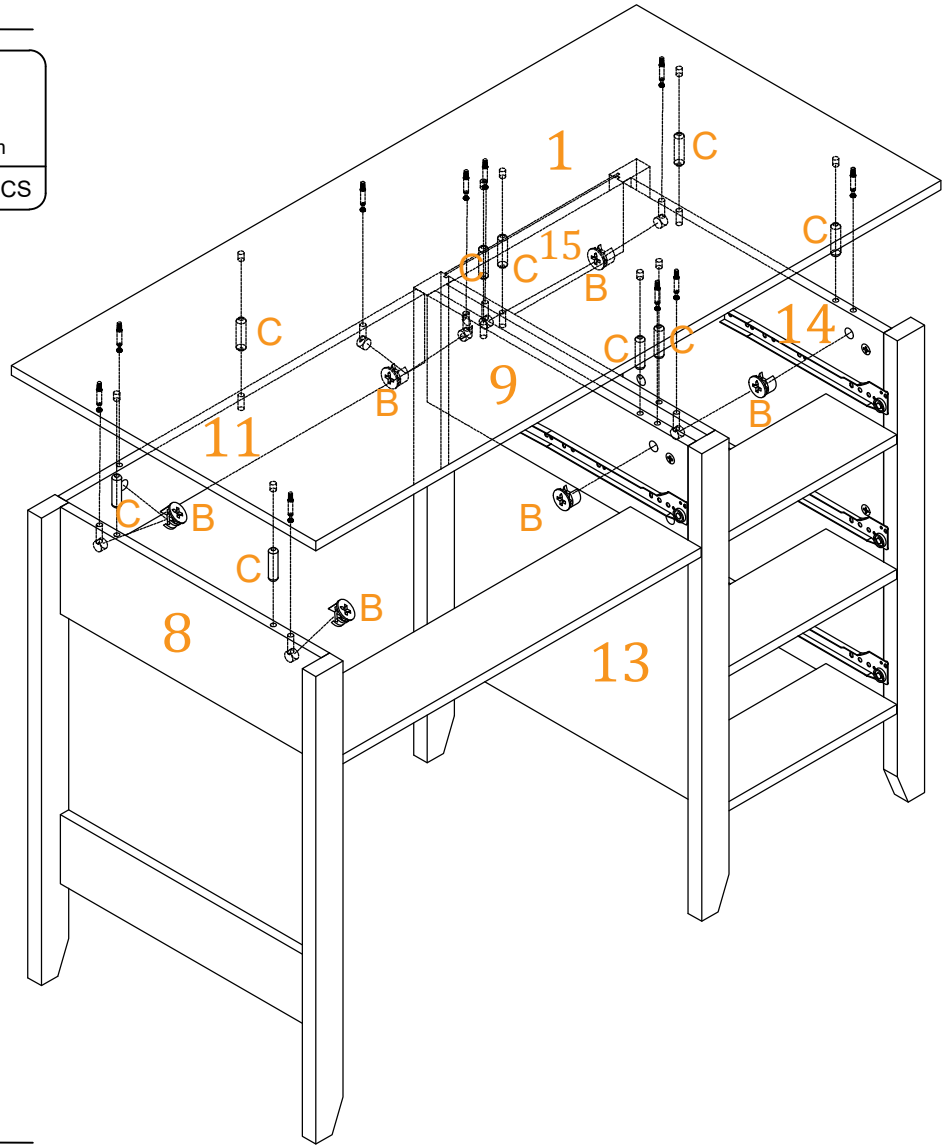
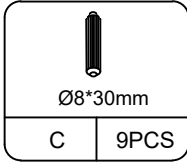
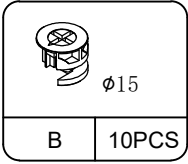
STEP 6



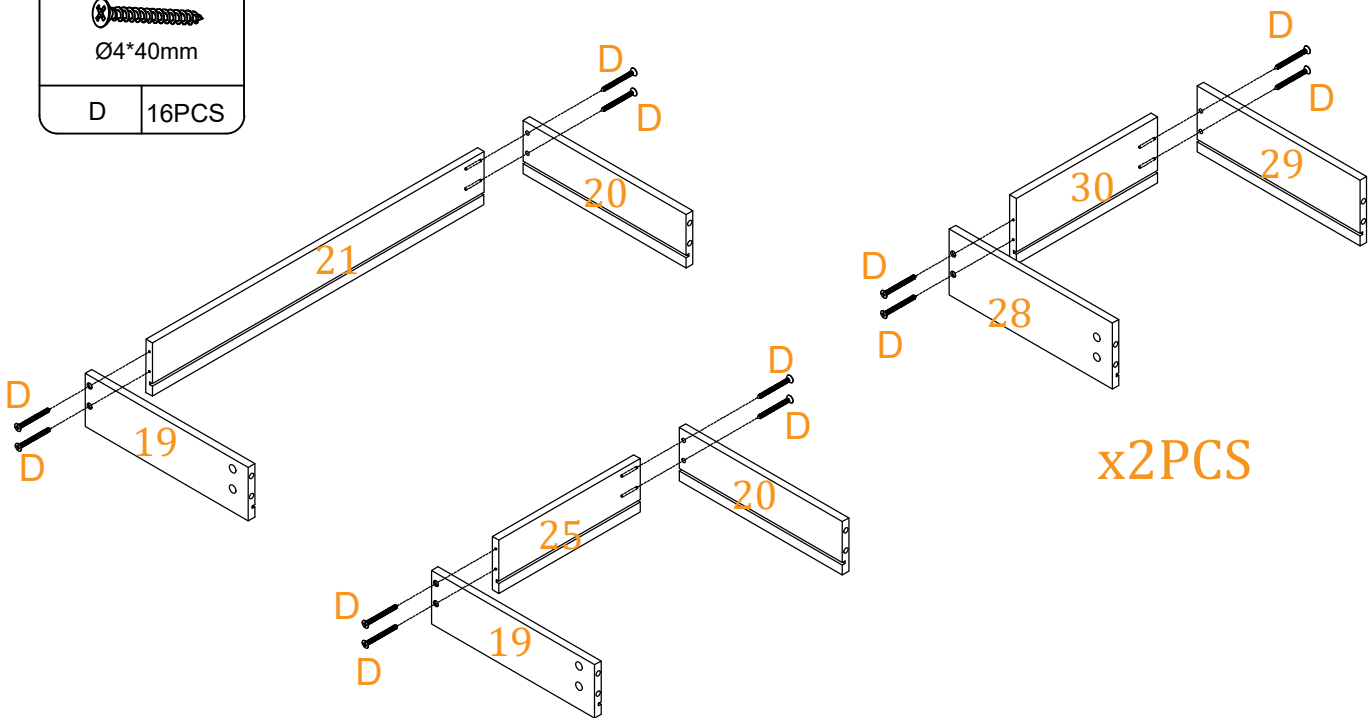
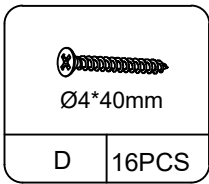
STEP 7



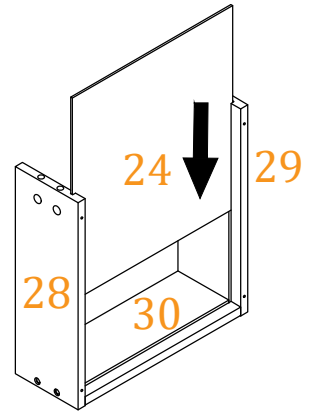
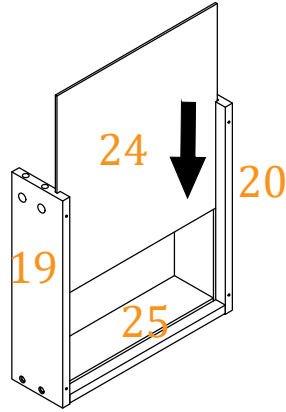
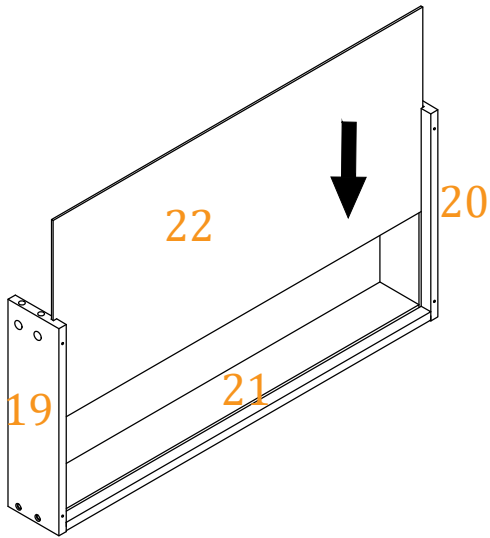
STEP 8



STEP 9

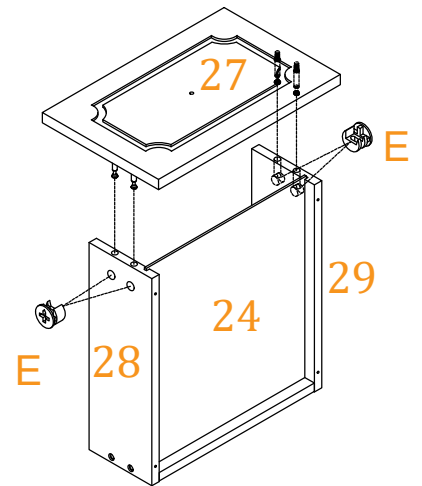
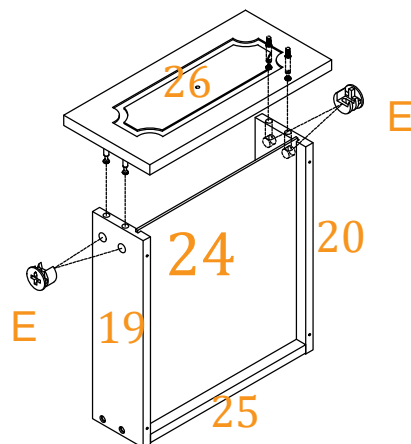
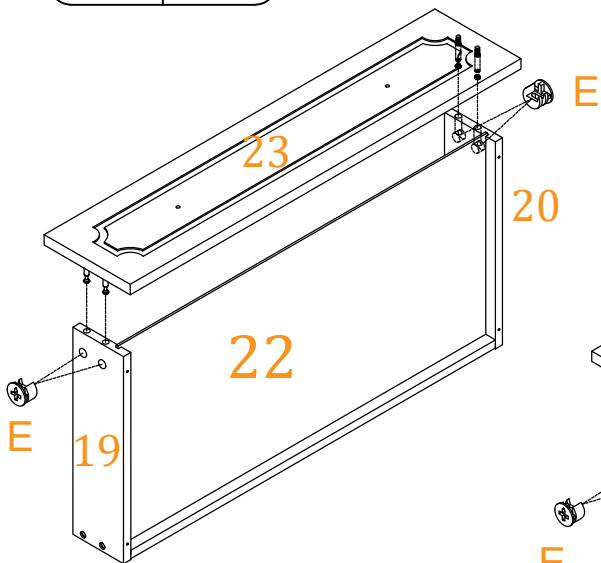
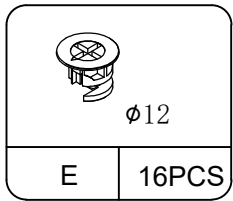


STEP 10



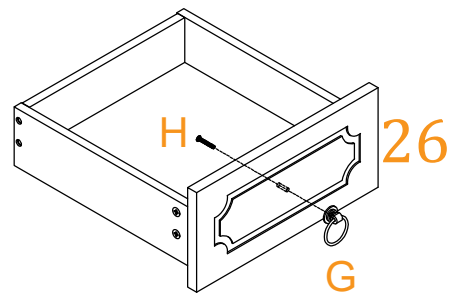
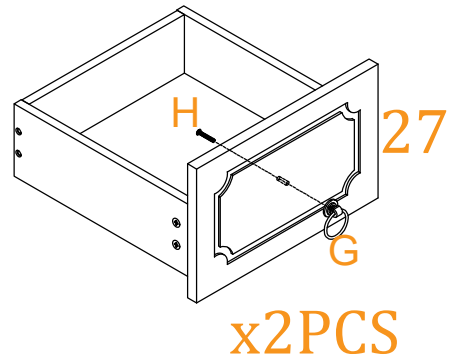
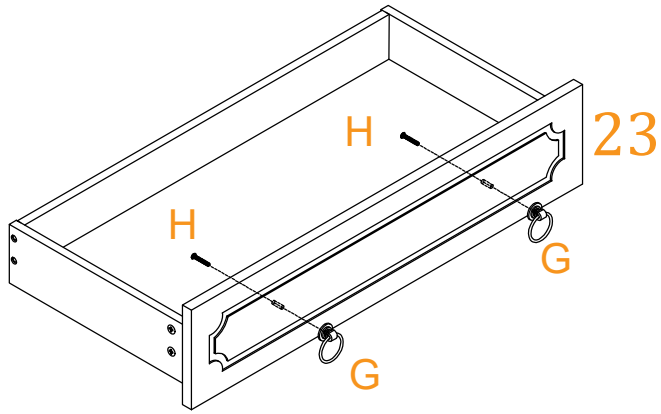
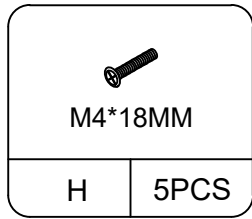
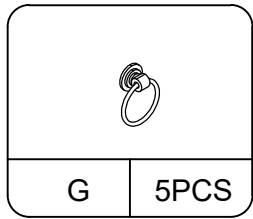
x2PCS

STEP 11

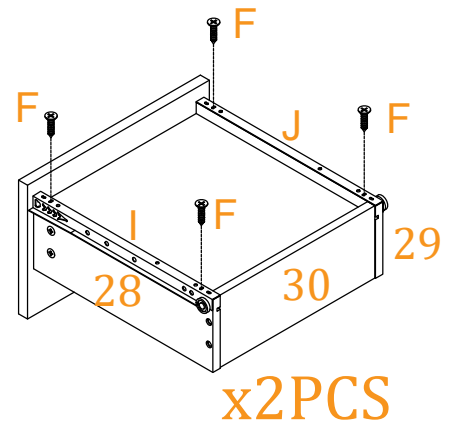
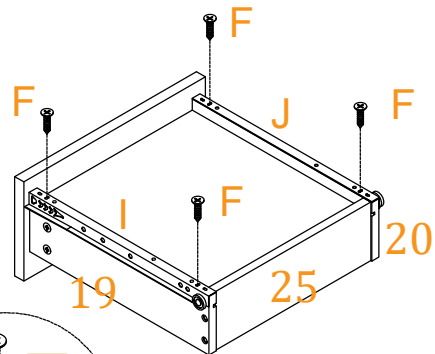
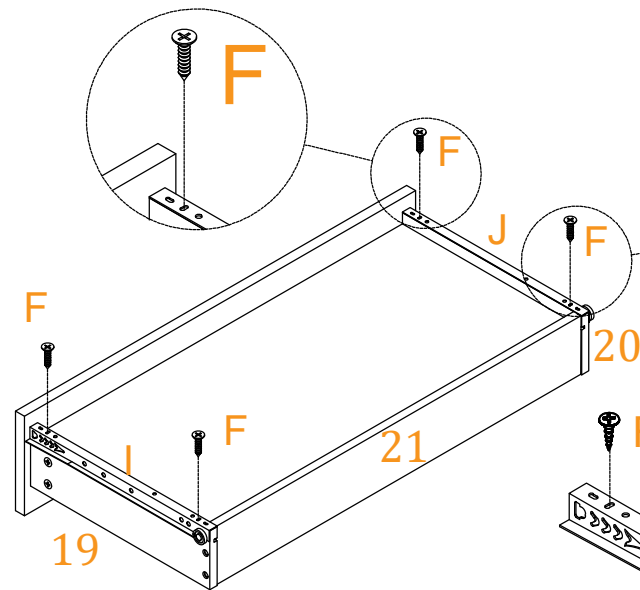
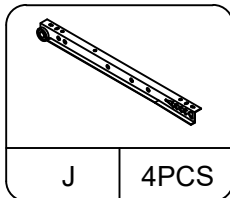
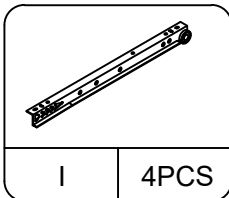
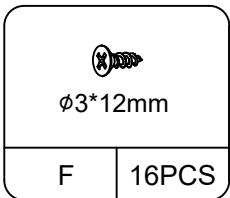


x2PCS

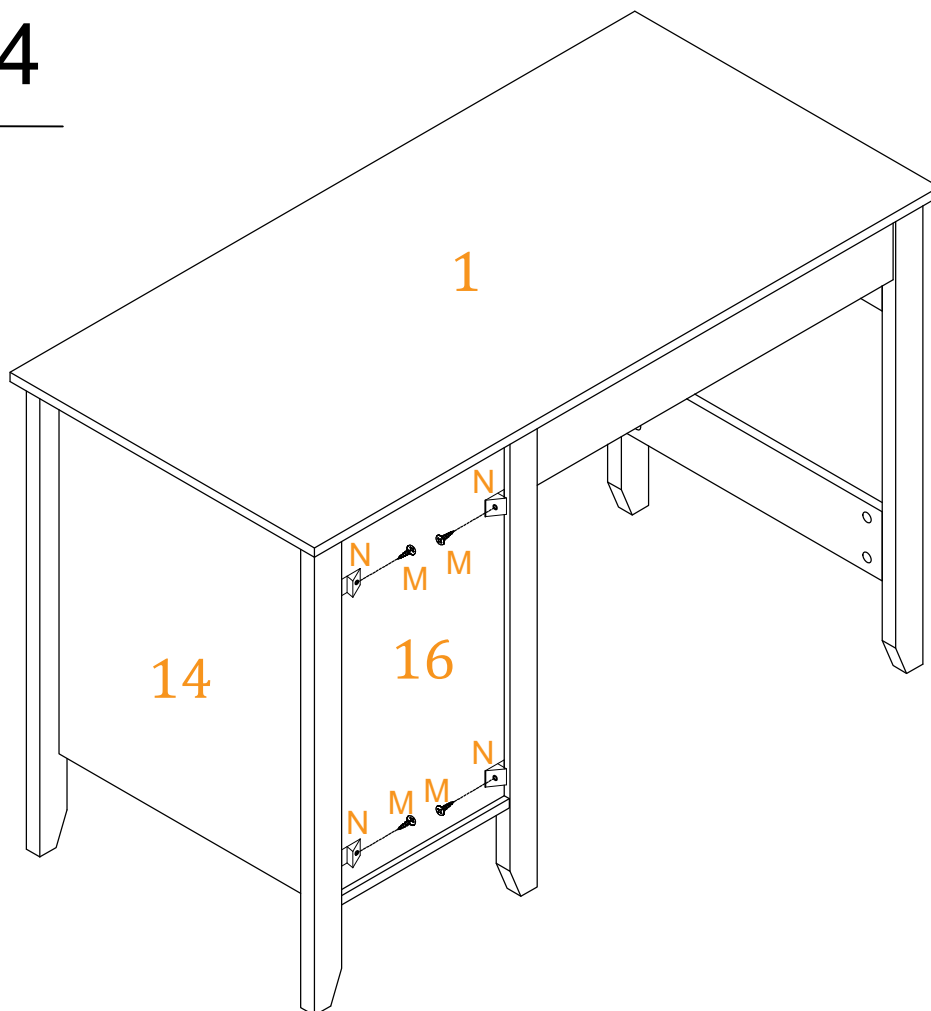
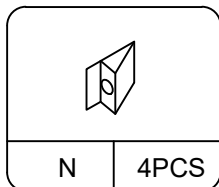
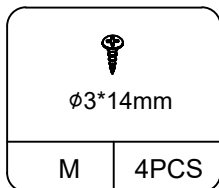
STEP 12



STEP 13



STEP 14



STEP 15

