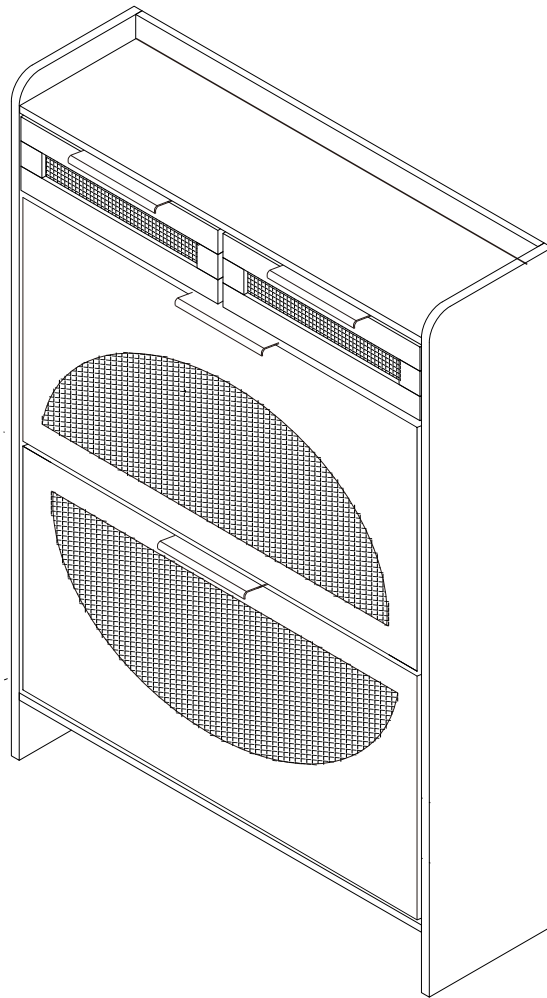


ASSEMBLY INSTRUCTIONS



ATTENTION

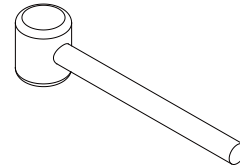
Prior to assembly, please check and count all parts and hardware regarding to the list on page 4-5 of the instruction. If there is any part missing or damaged, please send us messages with the part name and number or send us pictures, we will send you the replacement asap.

If you have any questions about the product or assembly, please kindly contact us at anytime, we will solve your problem asap.

Be sure to provide your order ID so we can assist you better.

ASSEMBLY TIPS

1. Please follow each step in the manual to ensure the proper assembly of this product.
2. Assemble the product in a spacious space, and on a soft, clean surface to avoid damage and scratches.
3. 2 people are recommended for ease in the assembly of this product.
4. Ensure all parts and hardware are available before assembly, if you find any part is damaged or missing
5. You will use the following tools: a Phillips head screwdriver, a rubber hammer

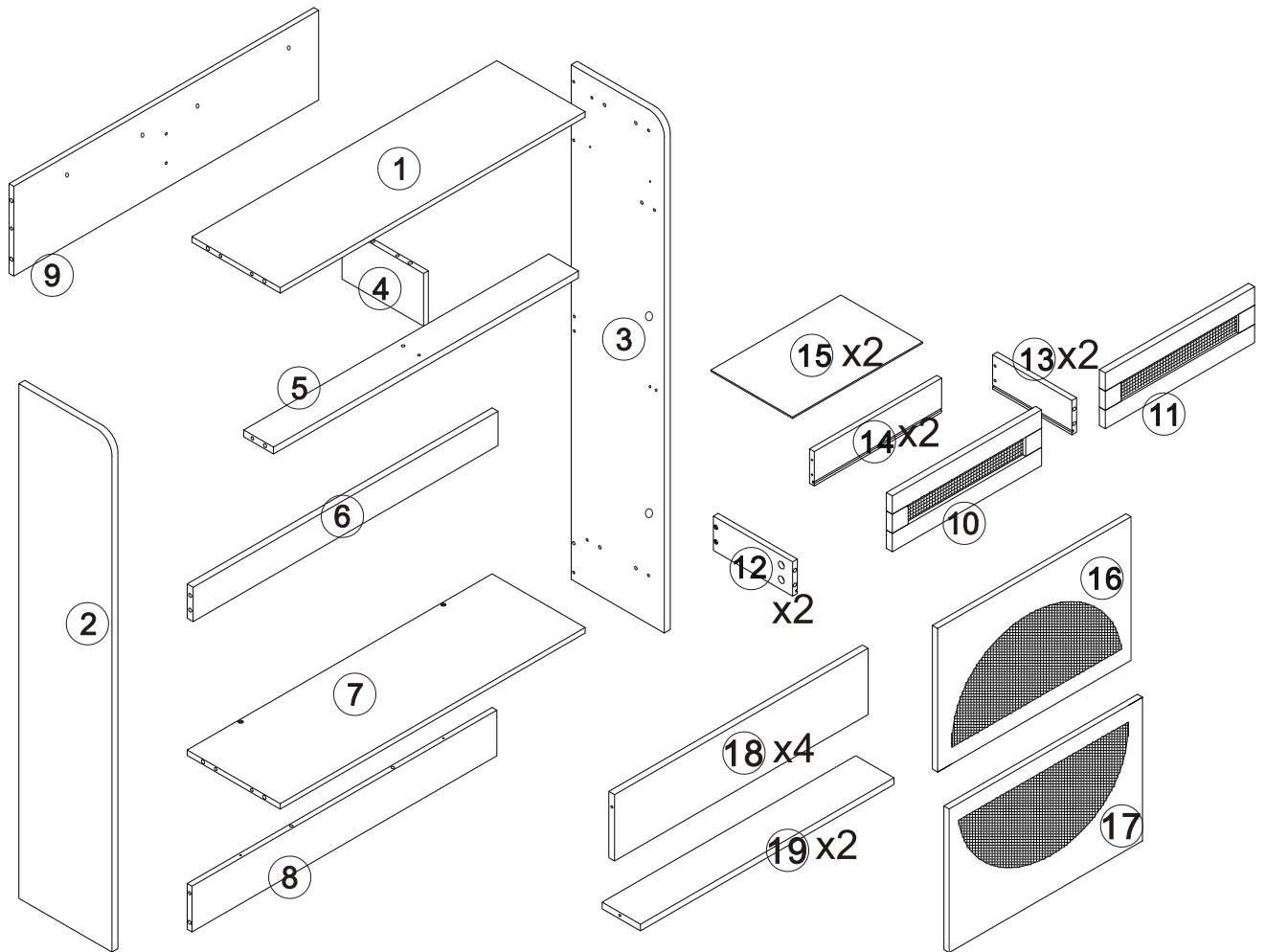


6. The wood dowels can be tapped in lightly with a hammer.
7. We don't recommend using the electric screwdriver, if you use the power screwdriver to tighten the screws, please be slow down, and stop if the screw is already tightened, excessive screwing may damage the screw and product surface.

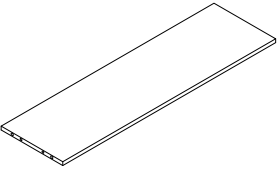
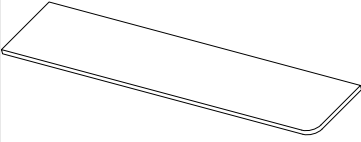
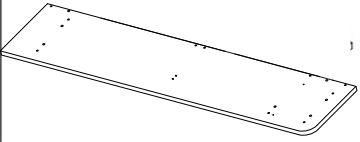
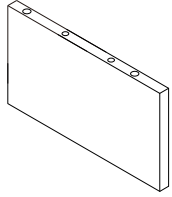
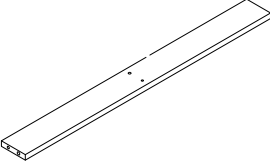
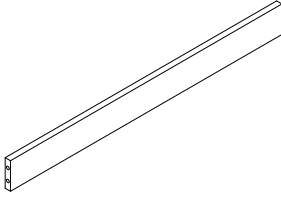
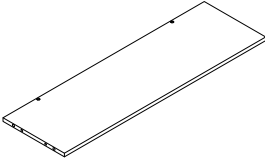
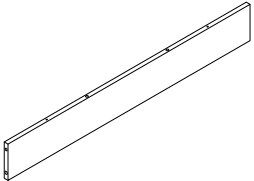
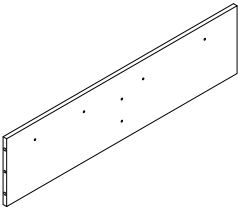
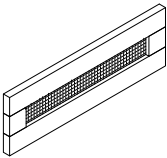
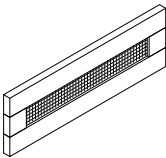
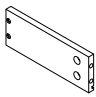
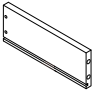
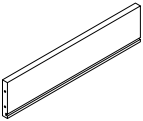
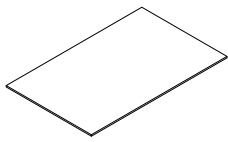
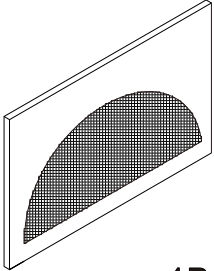
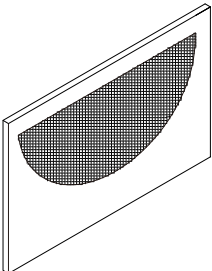
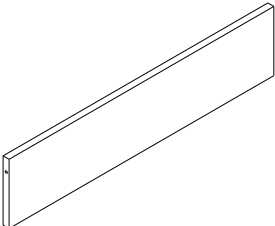
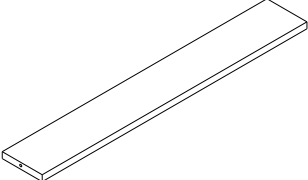
WARNINGS

1. Please be careful and slowly when opening and assembling the product, especially keep the parts and packaging away from children to avoid accidental injury.
2. Please avoid using aggressive chemicals/cleaners to avoid damaging the product surface.
3. Don't push or pull the product to avoid damaging your floor.
4. Attention: Don't throw away any packing materials and accessories until assembly is complete.

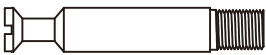

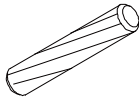


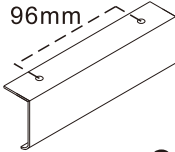
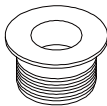


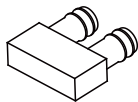


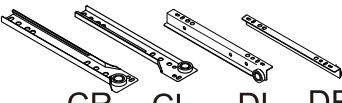
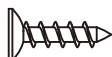

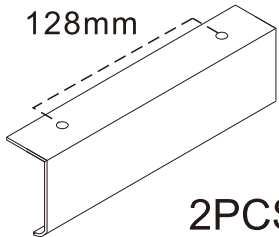
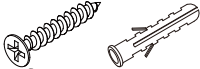
Exploded Drawing



Board list

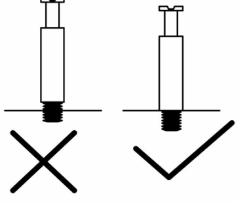
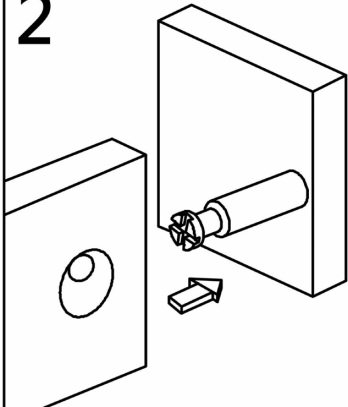
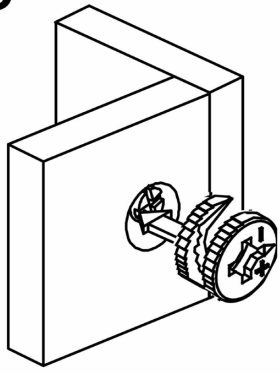
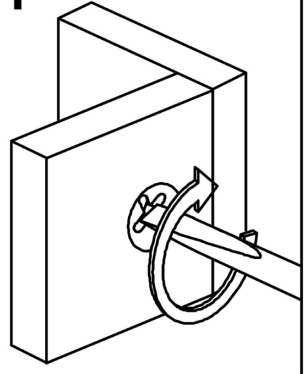
<p>① TOP PANEL</p>  <p>1PCS</p>	<p>② LEFT SIDE PANEL</p>  <p>1PCS</p>	<p>③ RIGHT SIDE PANEL</p>  <p>1PCS</p>	<p>④ DEVIDER</p>  <p>1PCS</p>
<p>⑤ BAR UNDER DRAWER</p>  <p>1PCS</p>	<p>⑥ BACK MIDDLE BAR</p>  <p>1PCS</p>	<p>⑦ BOTTOM PANEL</p>  <p>1PCS</p>	<p>⑧ BACK LOWER BAR</p>  <p>1PCS</p>
<p>⑨ BACK UPPER PANEL</p>  <p>1PCS</p>	<p>⑩ LEFT DRAWER DOOR</p>  <p>1PCS</p>	<p>⑪ RIGHT DRAWER DOOR</p>  <p>1PCS</p>	<p>⑫ DRAWER LEFT PANEL</p>  <p>2PCS</p>
<p>⑬ DRAWER RIGHT PANEL</p>  <p>2PCS</p>	<p>⑭ DRAWER BACK PANEL</p>  <p>2PCS</p>	<p>⑮ DRAWER BOTTOM PANEL</p>  <p>2PCS</p>	<p>⑯ UPPER FLIP DOOR</p>  <p>1PCS</p>
<p>⑰ LOWER FLIP DOOR</p>  <p>1PCS</p>	<p>⑱ SHOE BOX LAYER PANEL</p>  <p>4PCS</p>	<p>⑲ SHOE BOX BOTTOM PANEL</p>  <p>2PCS</p>	

Hardware List

<p>(A) CAM BOLT</p>  <p>ø6X35mm</p> <p>30PCS spare:3</p>	<p>(B) CAM LOCK</p>  <p>ø15X10mm</p> <p>30PCS spare:3</p>	<p>(C) WOOD DOWEL</p>  <p>ø6X30mm</p> <p>21PCS spare:2</p>	<p>(D) SCREW</p>  <p>ø3.5 X14 mm</p> <p>28PCS spare:3</p>
<p>(E) SCREW</p>  <p>M3x12</p> <p>8PCS spare:1</p>	<p>(F) DRAWER HANDLE</p>  <p>96mm</p> <p>2PCS</p>	<p>(G) PLASTIC SCREW</p>  <p>4PCS spare:1</p>	<p>(H) PLASTIC PLUG</p>  <p>4PCS spare:1</p>
<p>(J) ANTI-TIP ACCESSORIES</p>  <p>M4x12mm</p> <p>2PCS</p>	<p>(K) PLASTIC PIN</p>  <p>4PCS spare:1</p>	<p>(L) SHOE BOX LEFT SUPPORT</p>  <p>2PCS</p>	<p>(M) SCREW</p>  <p>M4x35mm</p> <p>15PCS spare:2</p>
<p>(N) METAL SLIDE</p>  <p>CR CL DL DR</p> <p>2PCS</p>	<p>(P) SCREW</p>  <p>ø3.5X12mm</p> <p>16PCS spare:2</p>	<p>(R) SHOE BOX RIGHT SUPPORT</p>  <p>2PCS</p>	<p>(S) FLIP DOOR HANDLE</p>  <p>128mm</p> <p>2PCS</p>
<p>(T) ANTI-TIP ACCESSORIES</p>  <p>M4x40mm M6x30mm</p> <p>2PCS</p>			

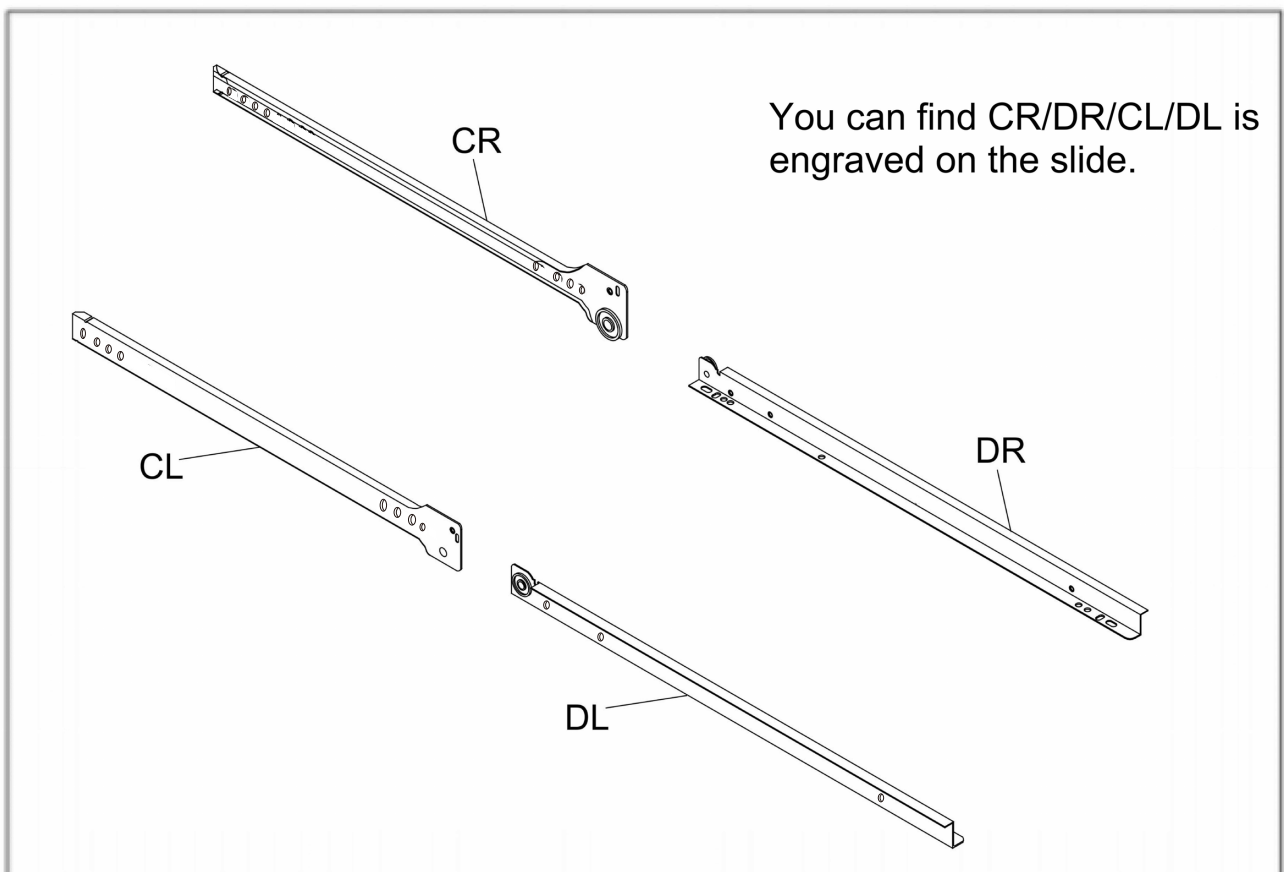
CAM LOCK/BOLT FASTENING INTRODUCTION

(You will use it during assembly)

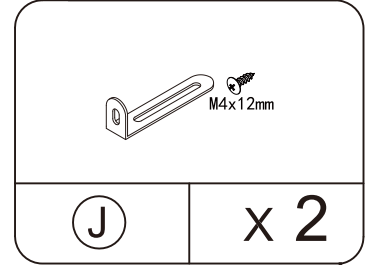
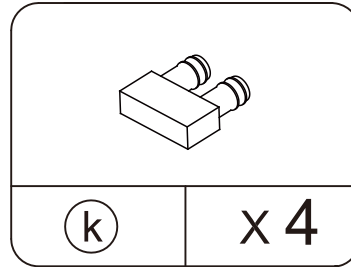
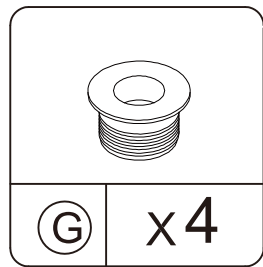
1 	2 	3 	4 
<p>1.Screw cam bolt into the threaded anchor gently. (Attention:don't screw cam bolt too deep or too shallow.)</p>	<p>2.Please connect the 2 boards you want connect by inserting cam bolt.</p>	<p>3.Insert the cam lock into the round hole of the board. (Attention:point the arrow on the top of the cam lock to the outer edge.)</p>	<p>4.Turn the cam lock clockwise until it is firmly tightened.</p>

SLIDE INTRODUCTION

(You will use it during assembly)

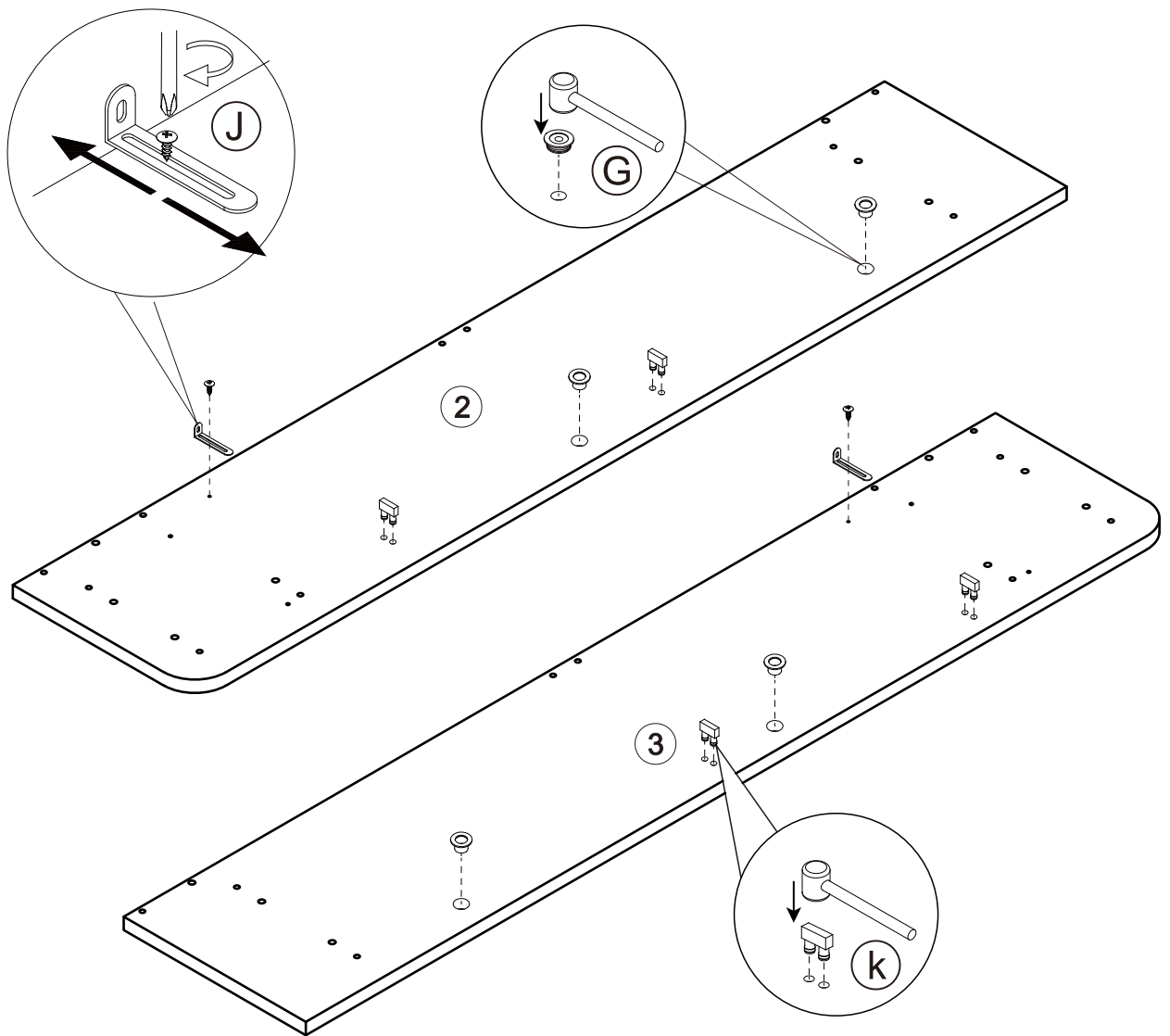


1.

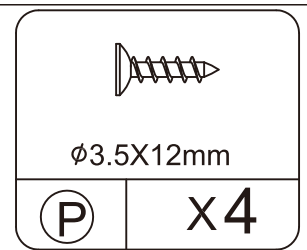
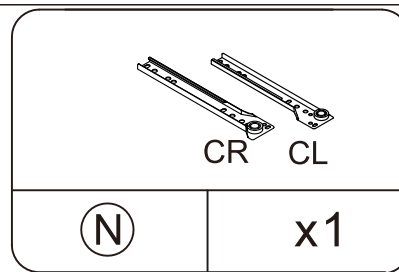
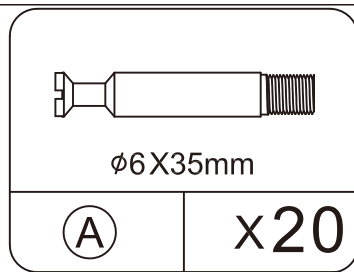


- (1) Use a rubber hammer to gently hammer the plastic fitting (G) (K) into panel (2) (3).
- (2) Use screw (J) to lock the L-shaped metal plate (J) to panel (2) (3).

Just tighten the screw (J) to 90%, and tighten screws 100% after you lock the cabinet to the wall in step 8.

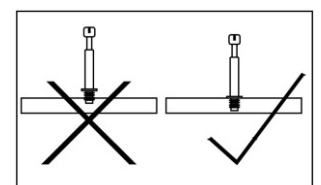
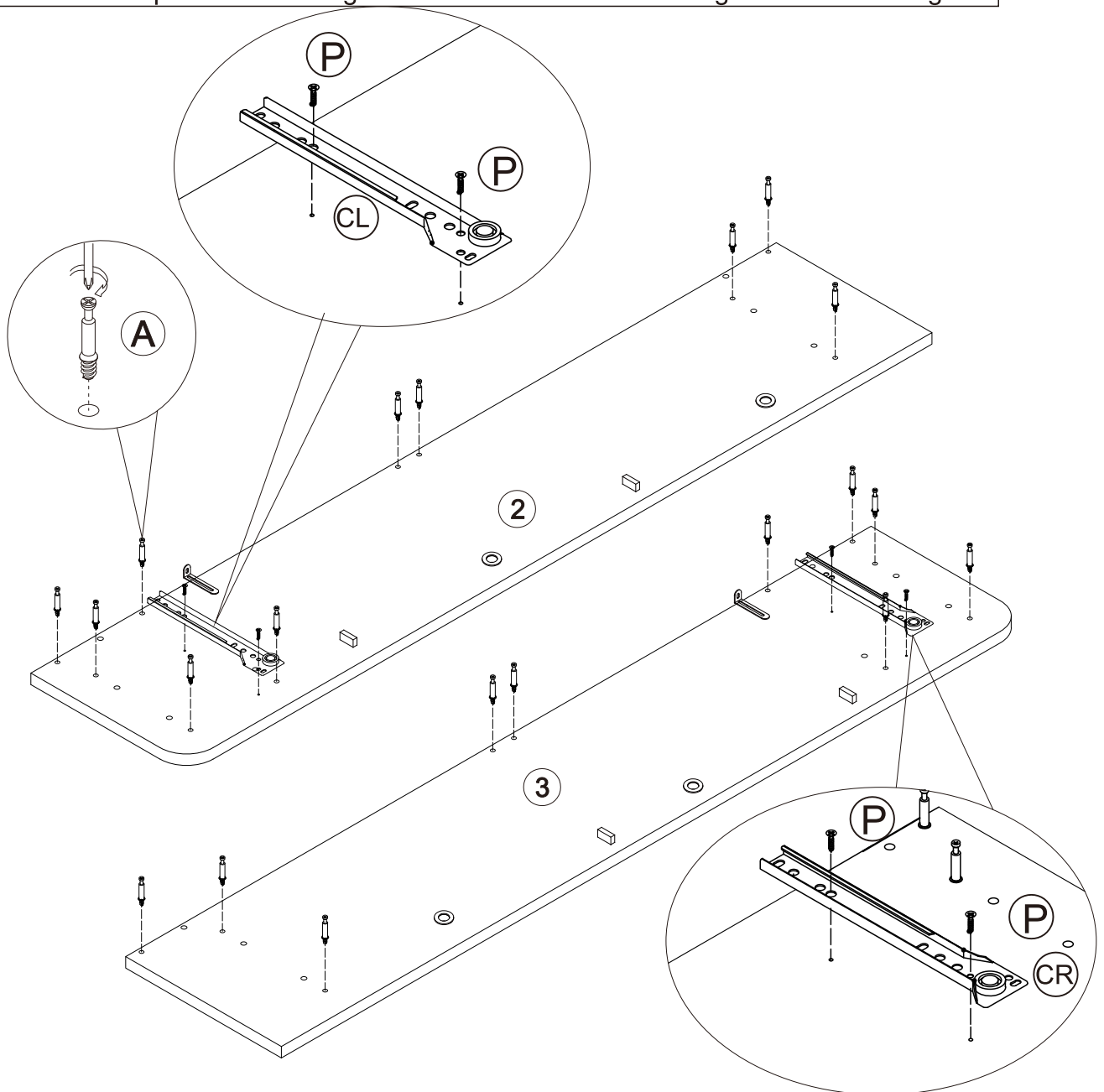


2.

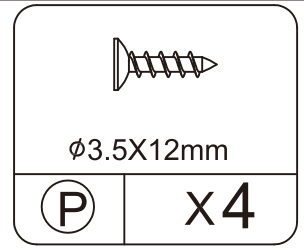
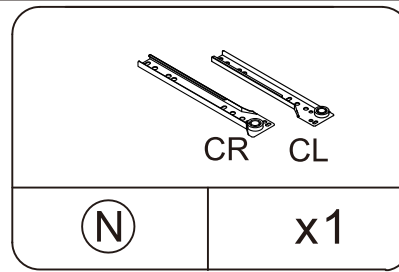
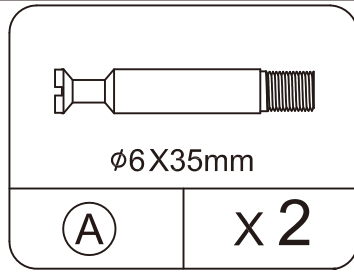


- (1) Gently screw cam bolt(A) into the threaded anchor on panel(2)(3).
- (2) Secure left slide(N(CL)) to side panel(2) with screw(P),
Secure right slide(N(CR)) to side panel(3) with screw(P),
Attention:CL/CR is engraved on the slide.

Please note the position of the guide rail holes for the locking screws in the figure.



3.



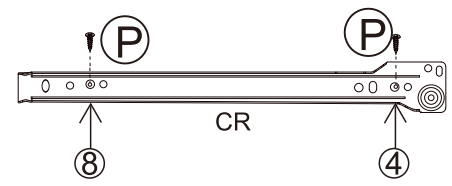
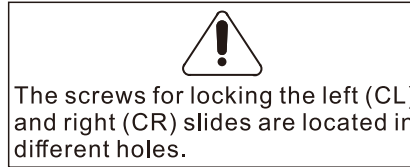
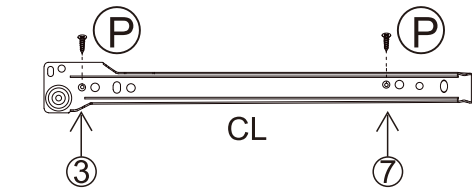
(1) Secure left slide(N(CL))and right slide(N(CR)) to both sides of panel(4) with screw(P).

Attention:CL/CR is engraved on the slide

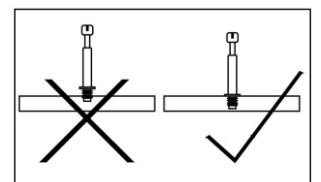
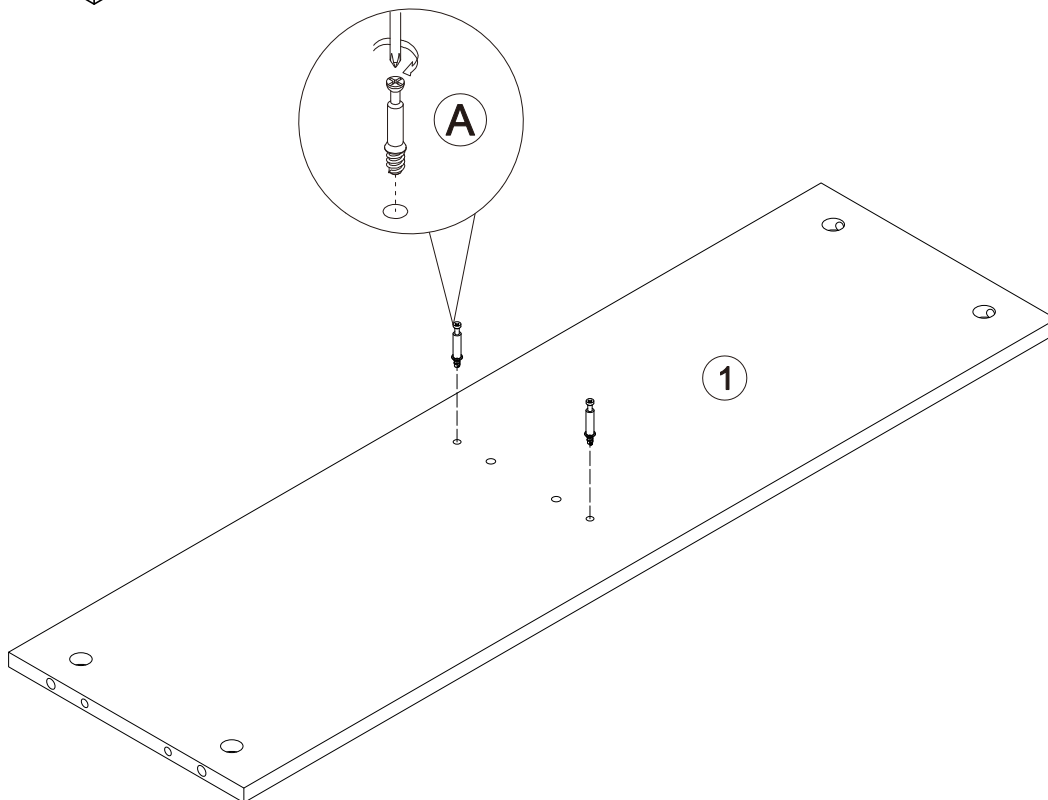
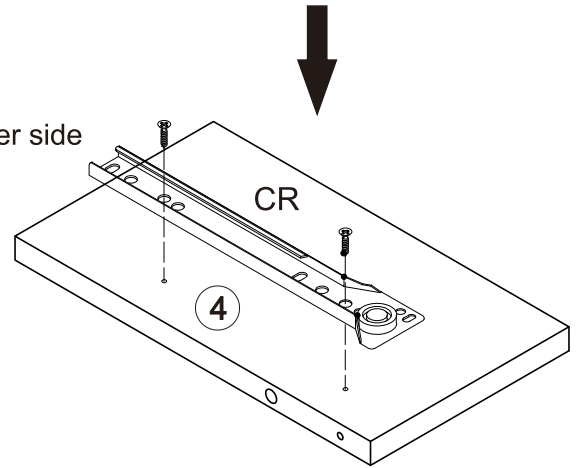
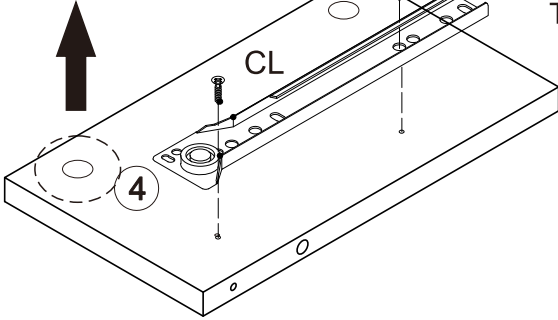
(2)Gently screw cam bolt(A) into the threaded anchor on panel(1).

CL:Please lock the screws in the 3rd and 7th holes.

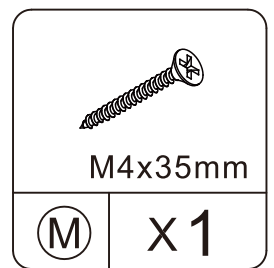
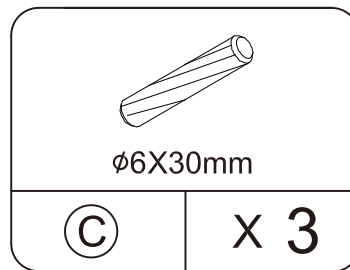
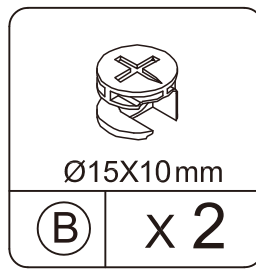
CR:Please lock the screws in the 4th and 8th holes.



Turn over 180° to the other side

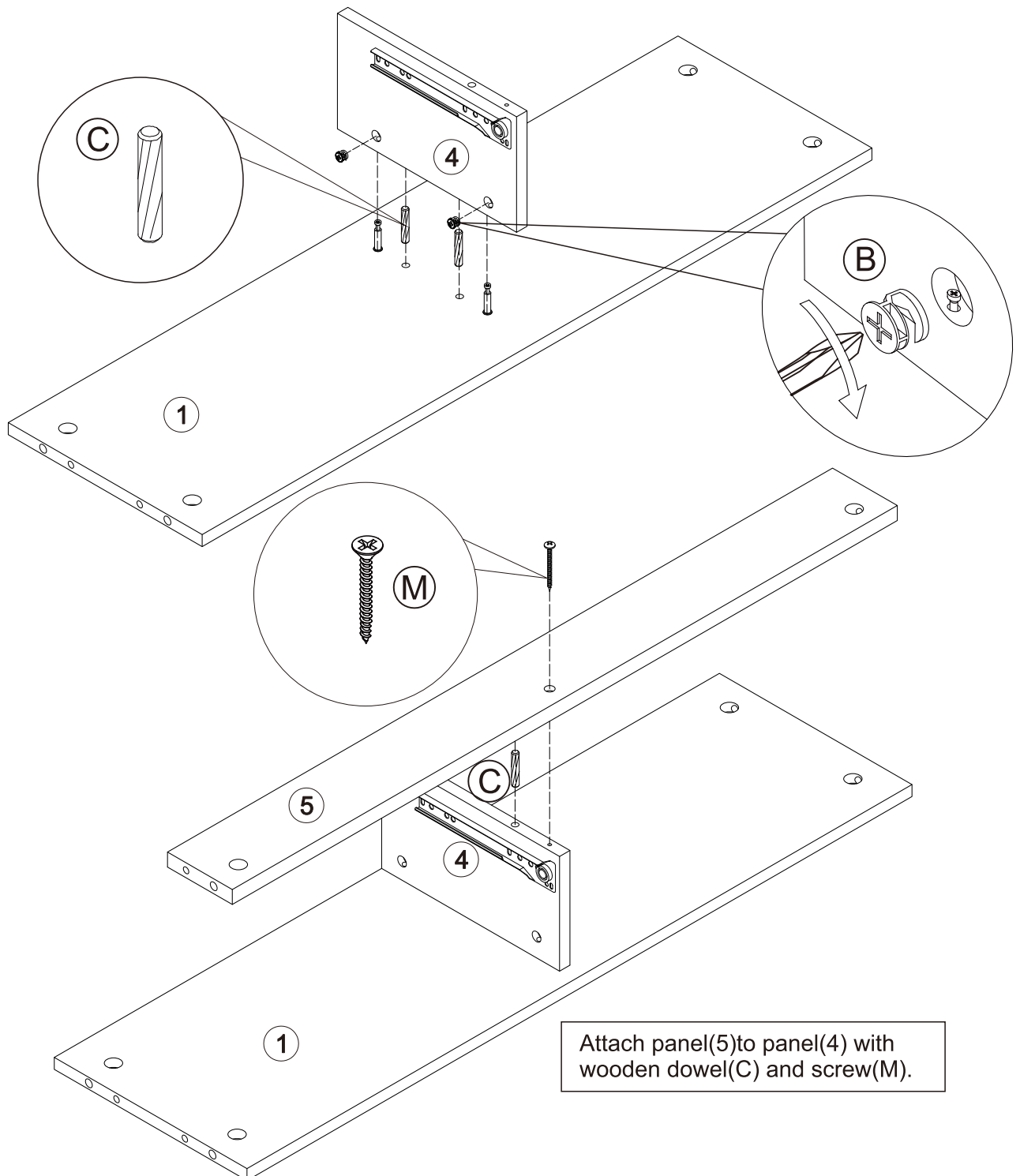


4.

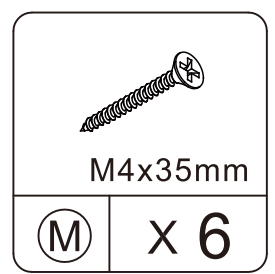
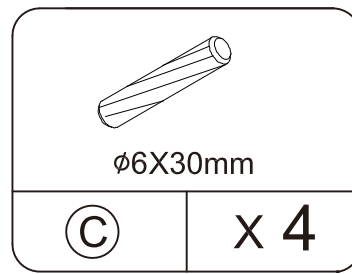


(1) Attach panel(4) to panel(1) by inserting wooden dowel(C) and cam lock(B), and then rotate clockwise to secure cam lock(B).

(2) Attach panel(5) to panel(4) with wooden dowel(C) and screw(M).

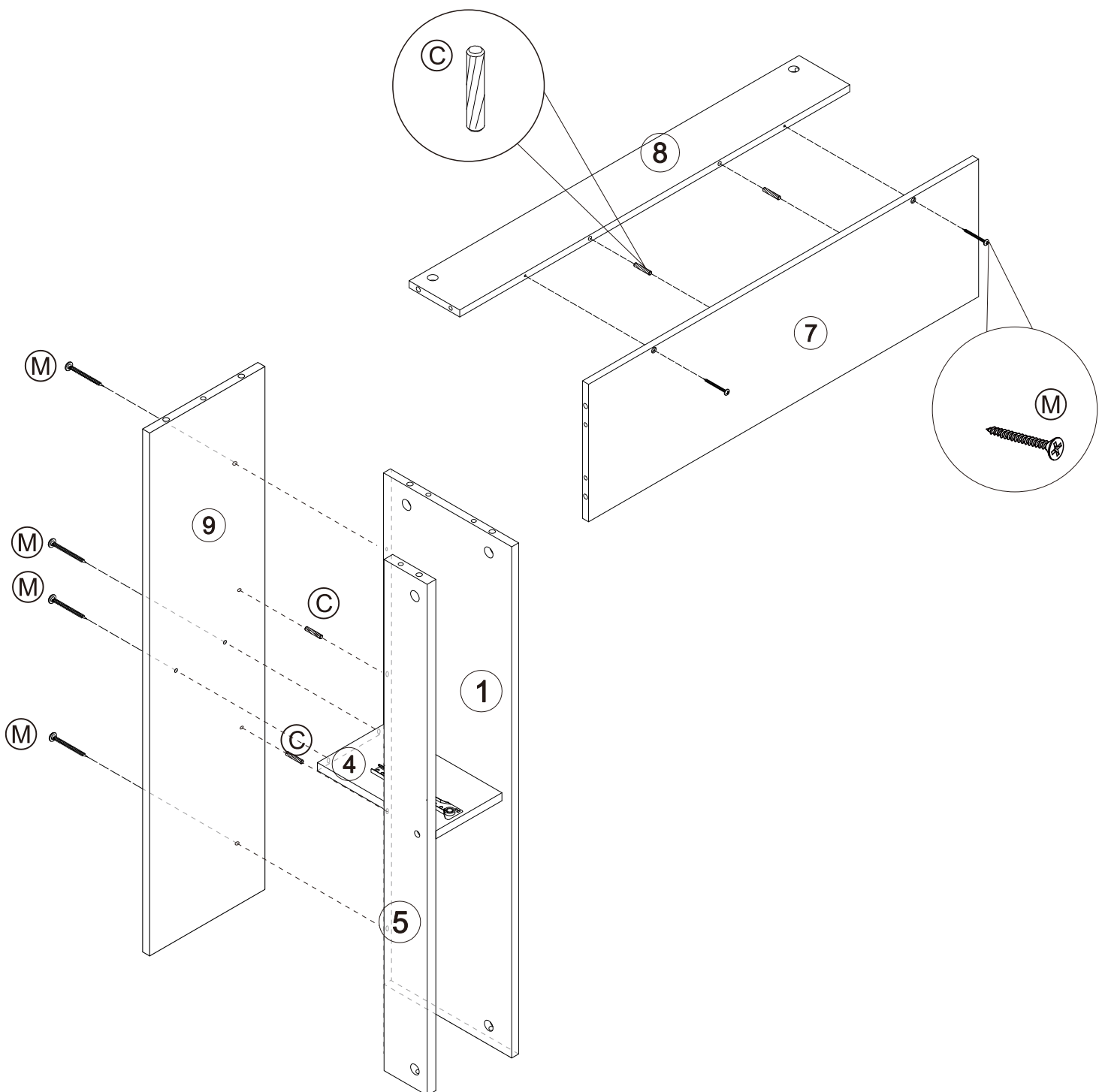


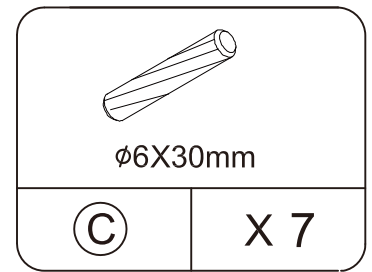
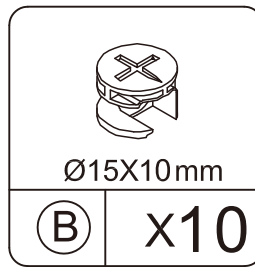
5.



(1) Attach panel(8) to panel(7) with wooden dowel(C) and screw(M).

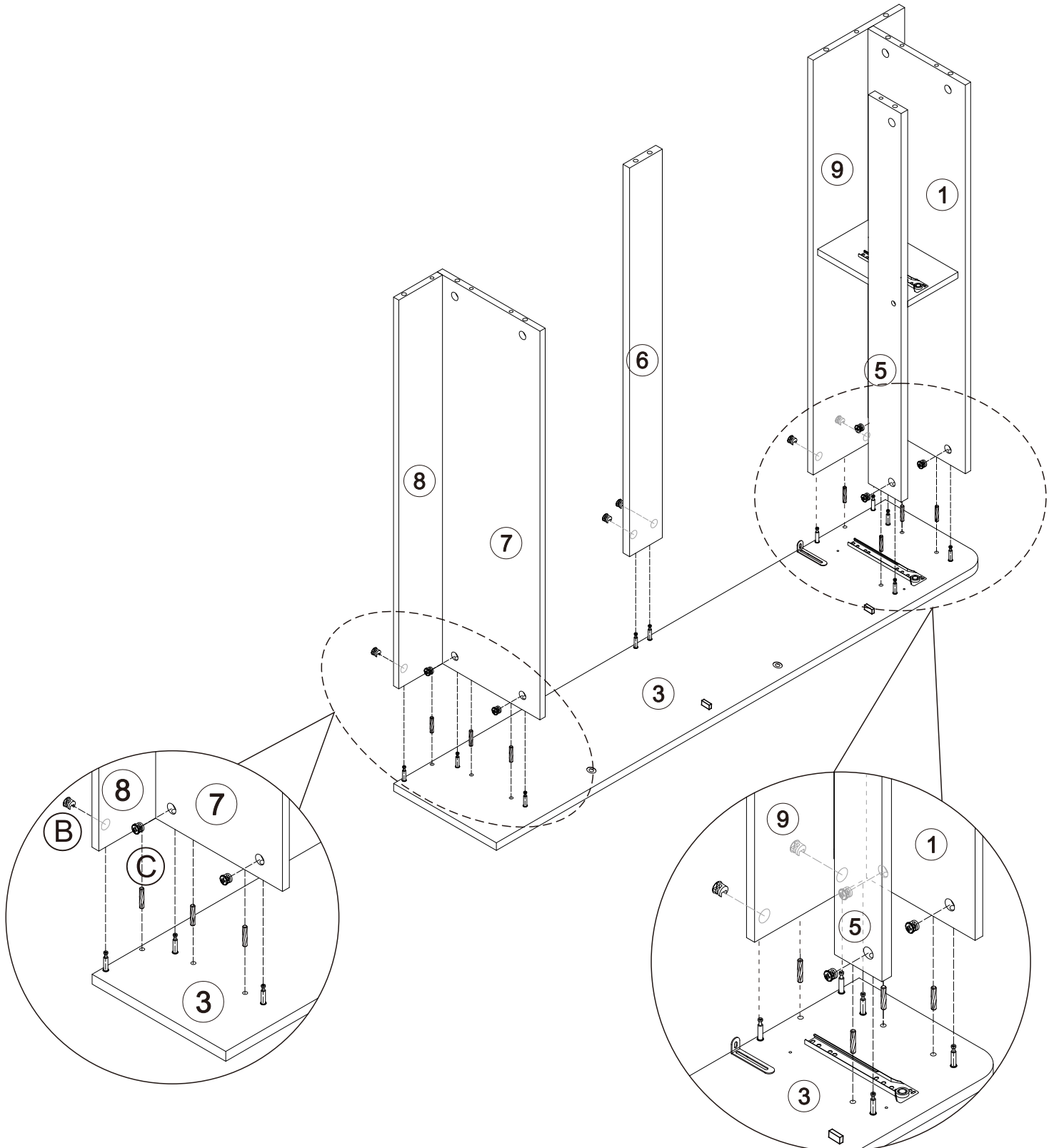
(2) Attach panel(9) to the frame with wooden dowel(C) and screw(M).



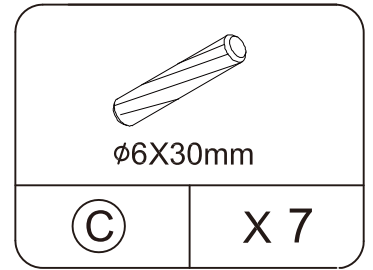
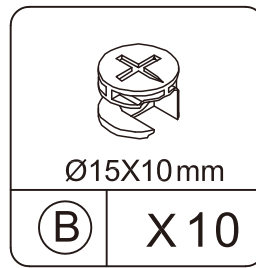


6.

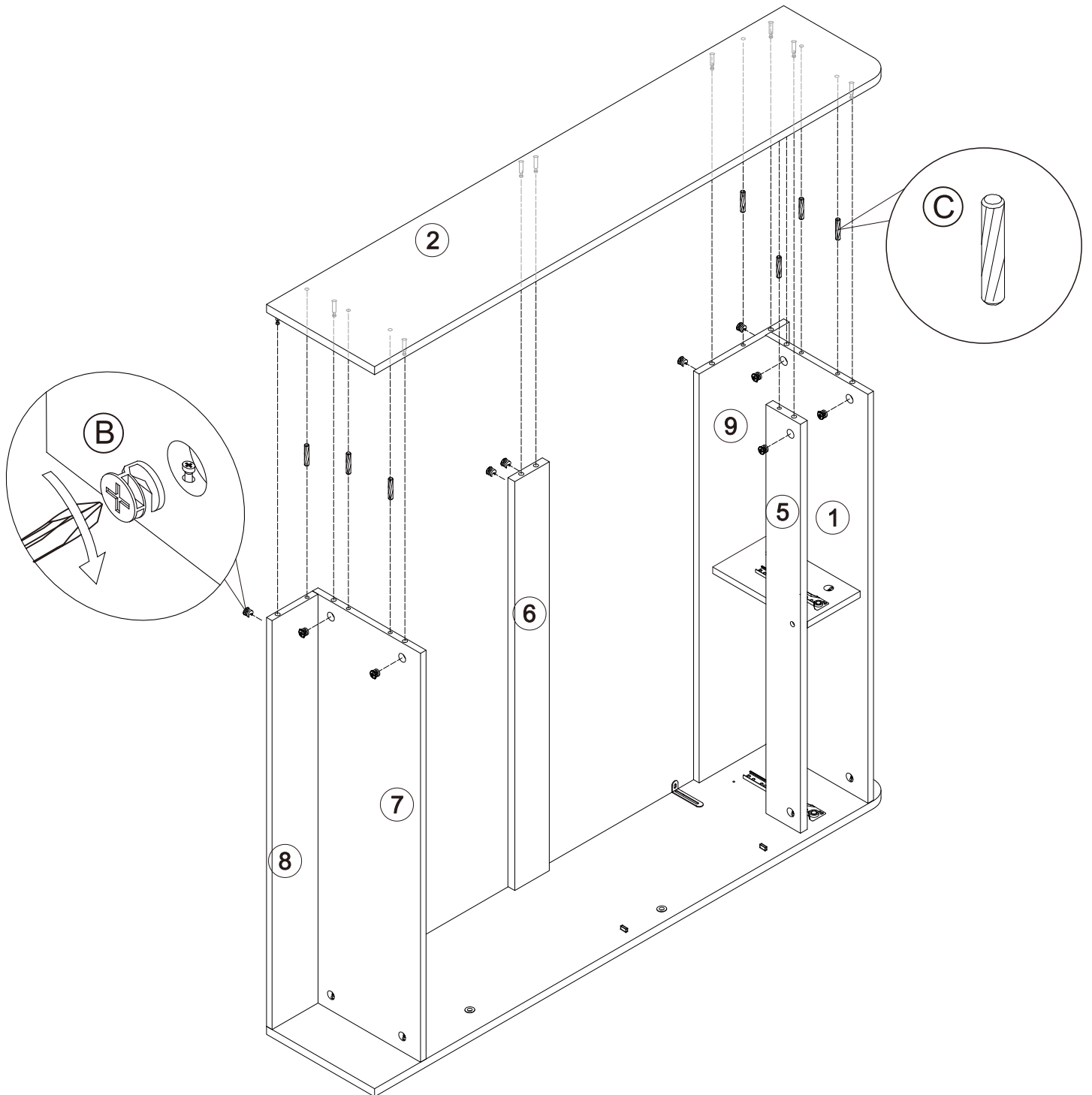
(1) Attach panel(6) and the 2 frames assembled in the last step to the panel(3) by inserting wooden dowel(C) and cam lock(B), and then rotate clockwise to secure cam lock(B).



7.



(1) Attach panel(2) to the frames assembled in the last step by inserting wooden dowel(C) and cam lock(B), and then rotate clockwise to secure cam lock(B).



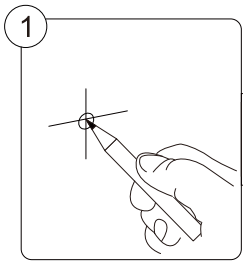
8.

M4x40mm M6x30mm

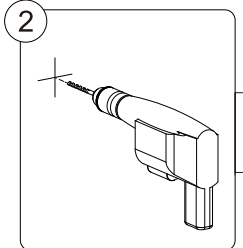
(T)

x2

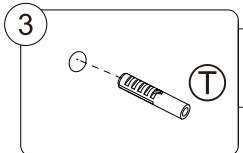
Because the cabinet is very narrow, please must permanently fixed to the wall with included anti-tipping device to prevent the cabinet from tipping over



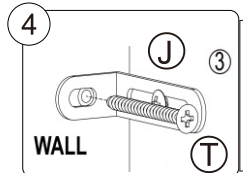
1. Mark the drill position on the wall with a pencil.



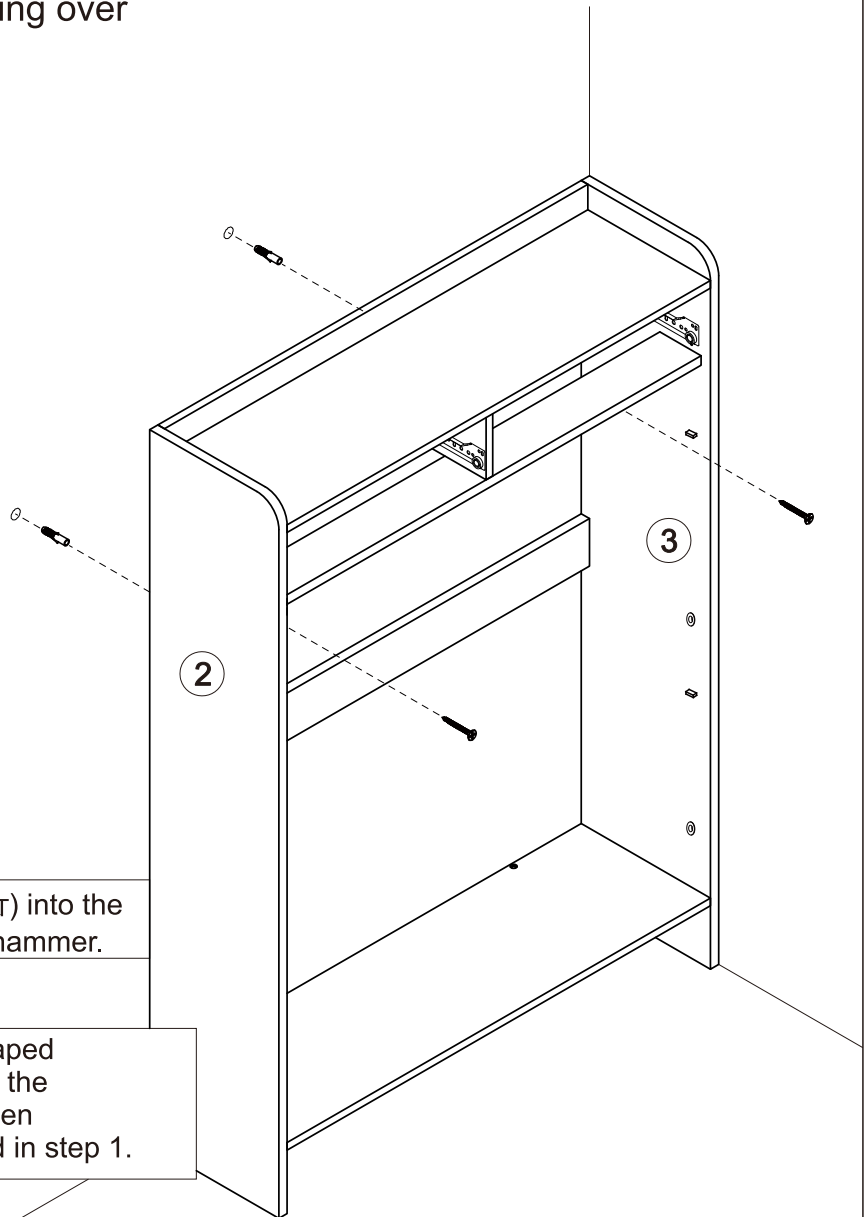
2. Drill holes on the marked position using a bit.



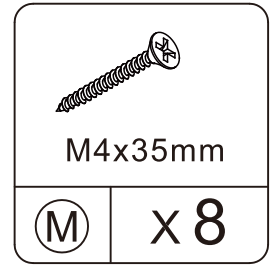
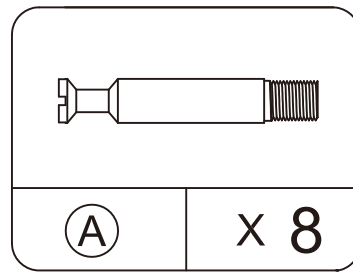
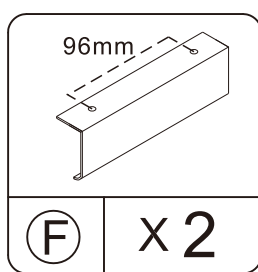
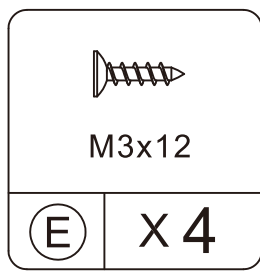
3. Gently insert the wall anchor (T) into the drilled hole with the help of a hammer.



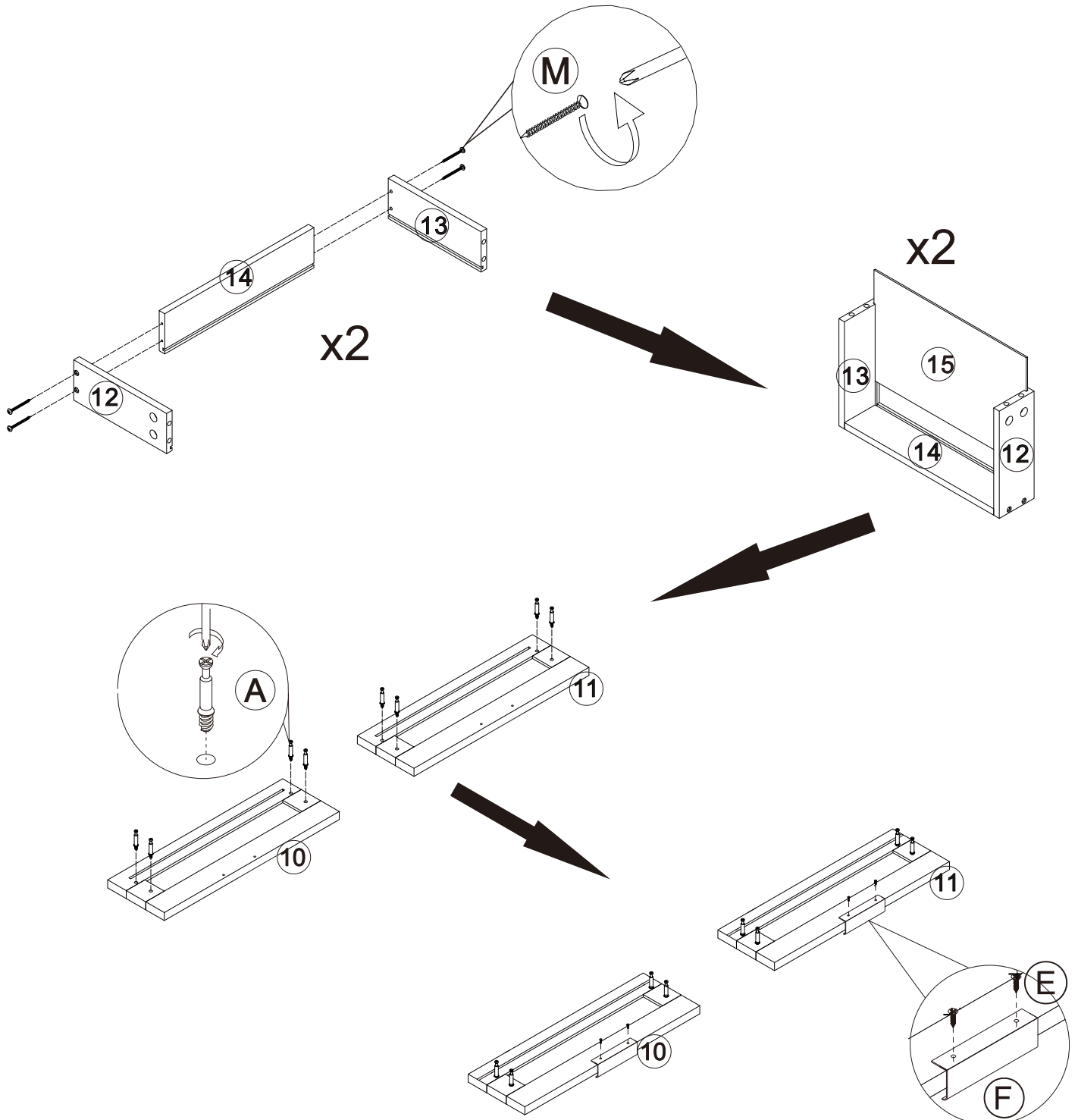
4. Adjust the position of the L-shaped plate on side panel and fix it to the wall with provided screws (T), then tighten all screws not tightened in step 1.



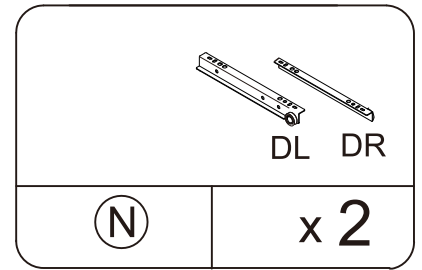
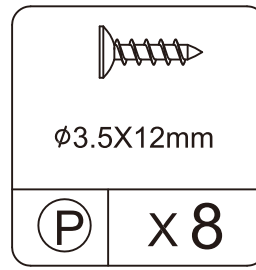
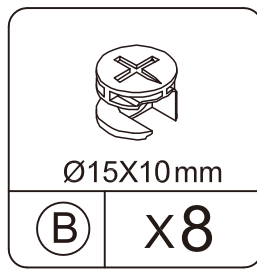
9.



- (1) Attach drawer left/right panel(12)(13) to drawer back panel(14) with screw(M).
- (2) Insert drawer bottom panel(15) into the the groove of panel(12)(13)(14).
- (3) Gently screw cam bolt(A) into the threaded anchor on panel(10)(11).
- (4) Attach handel(F) to drawer front panel(10)(11) with screw(E).



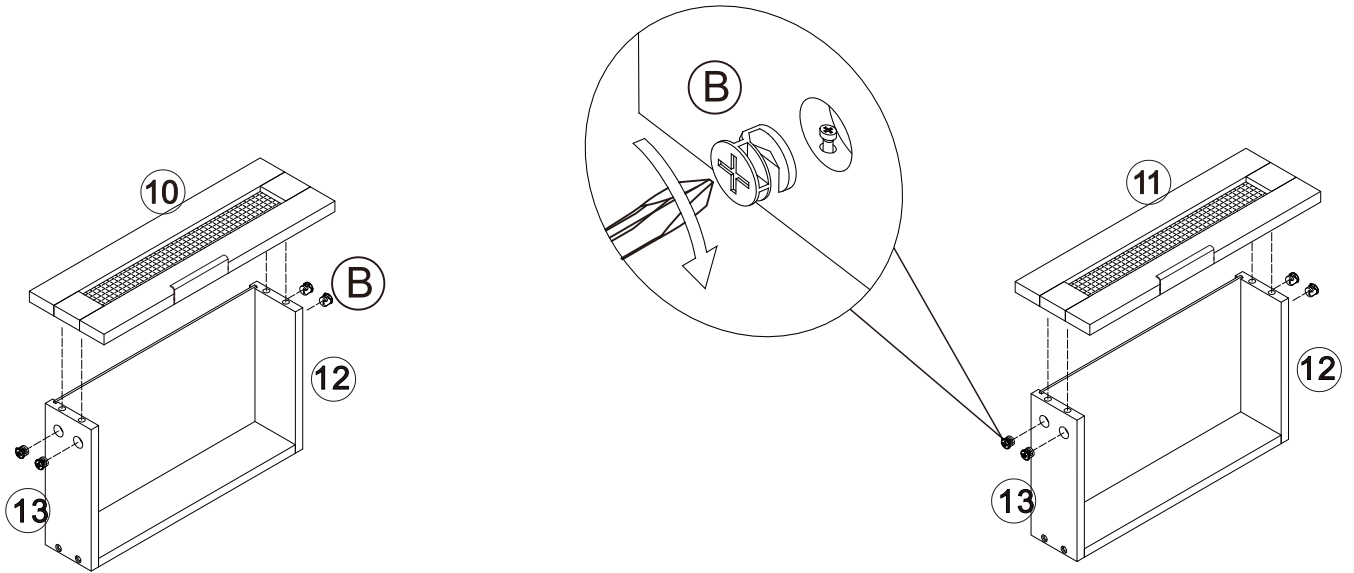
10.



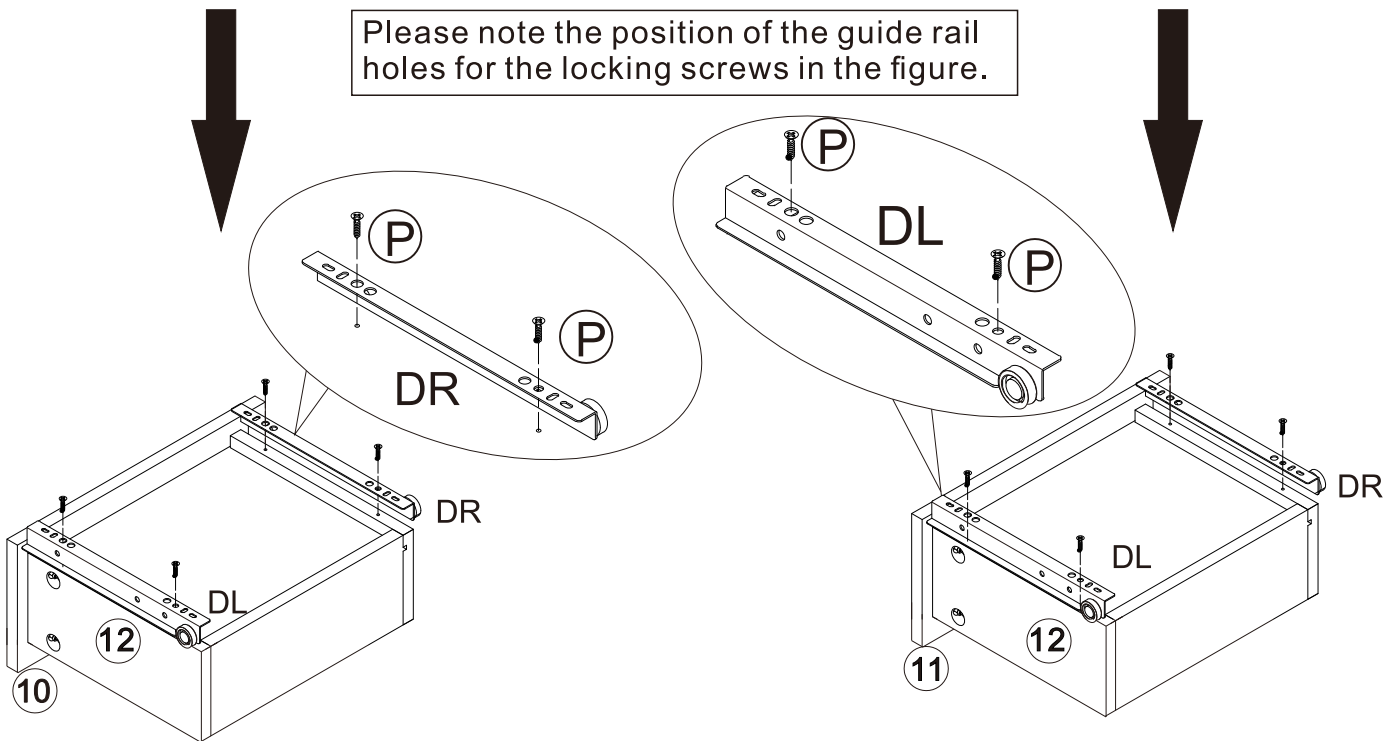
(1) Attach drawer front panel(10)(11) to drawer by inserting cam lock(B), and then rotate clockwise to secure cam lock(B).

(2) Attach left slide(N(DL)) and right slide(N(DR)) to drawer with screw(P).

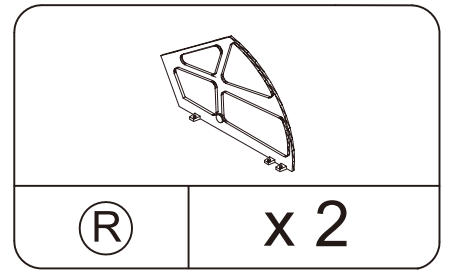
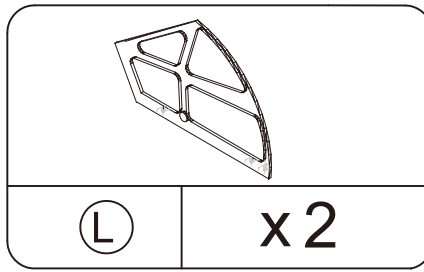
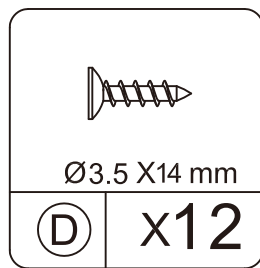
Attention:DL/DR is engraved on the slide.



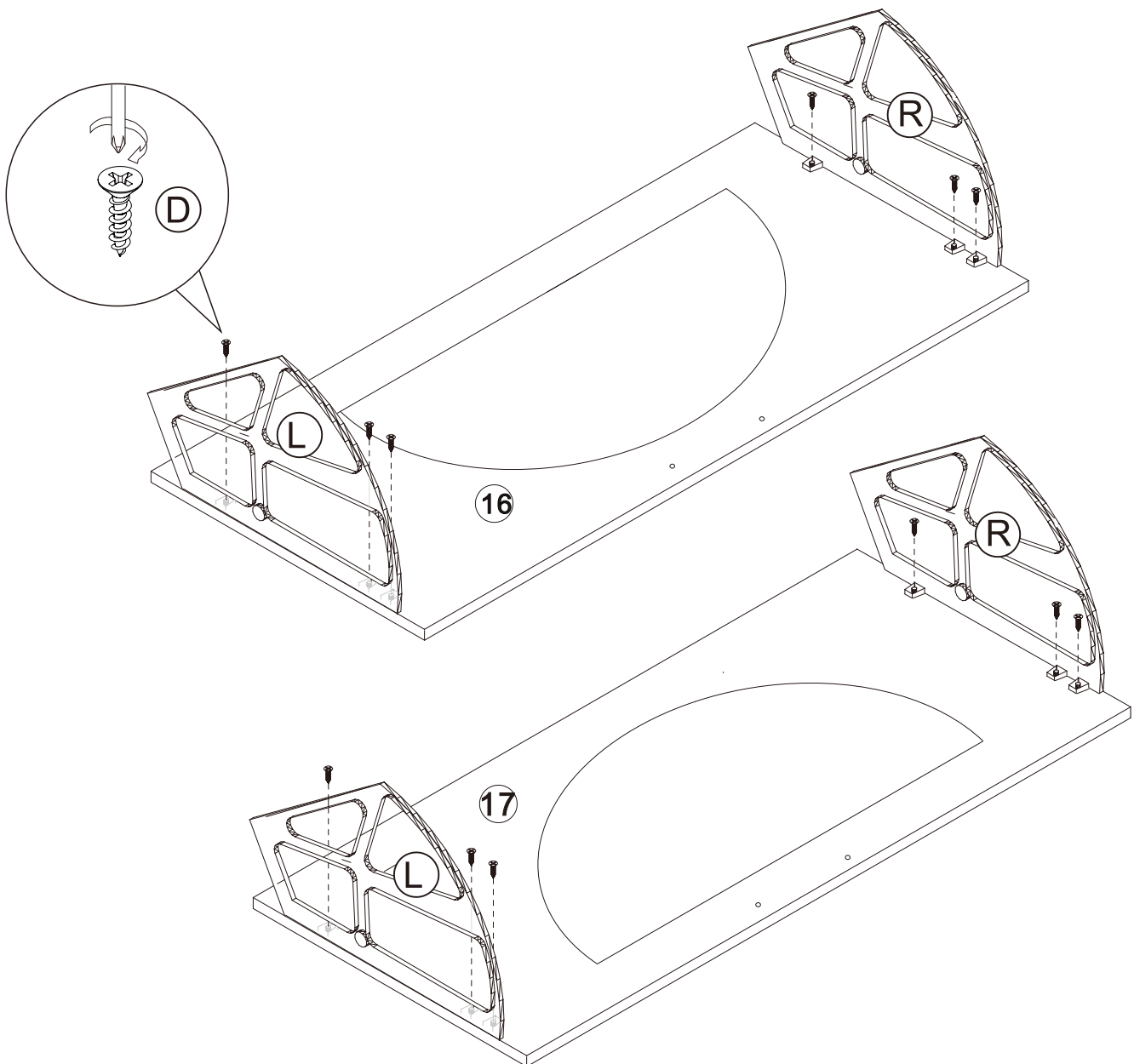
Please note the position of the guide rail holes for the locking screws in the figure.



11.

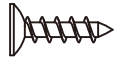


(1) Install the flip support(L)(R) to the door panel(16)(17) with screw(D).



12.

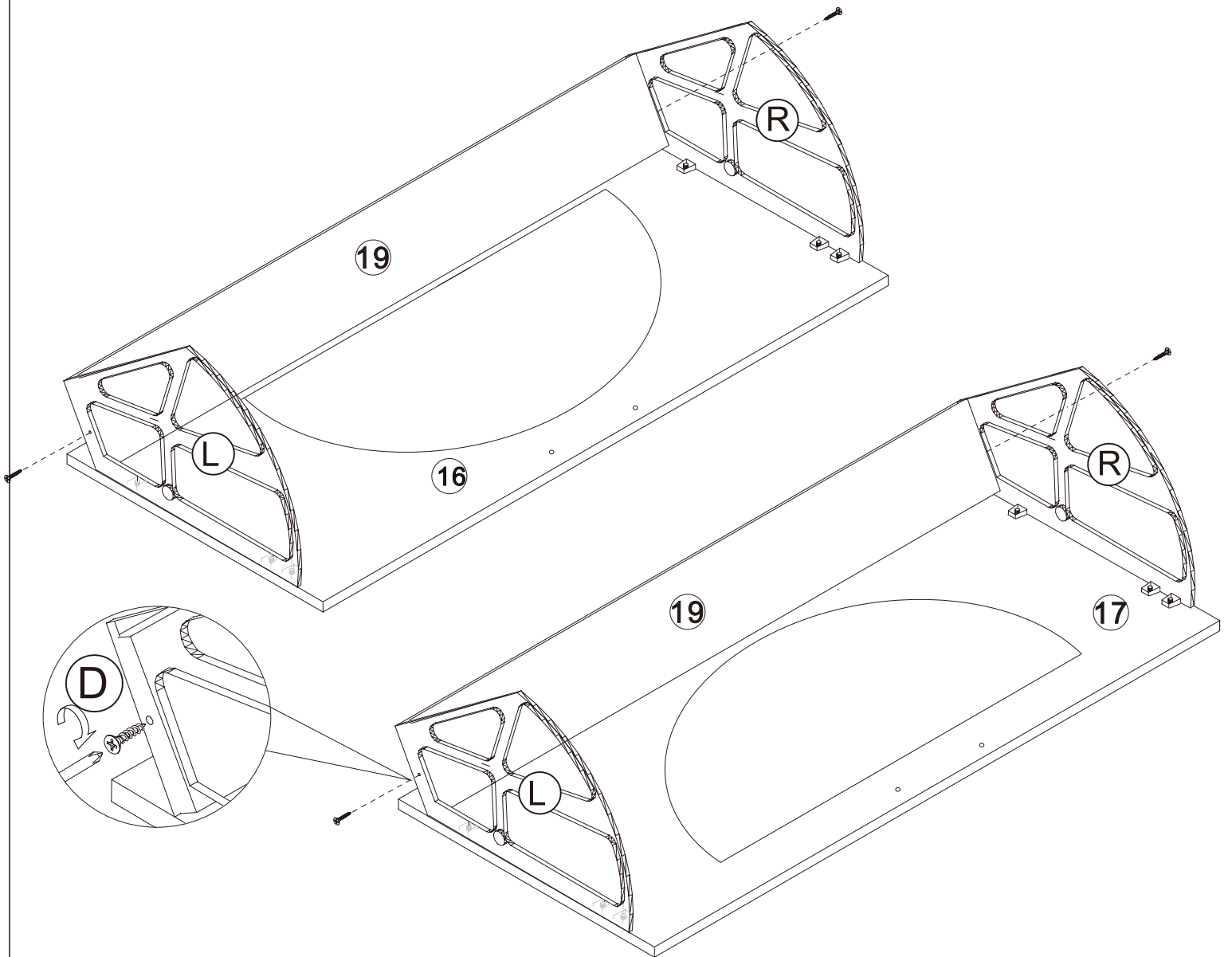
(1) Install panel(19) to the flip support(L)(R) with screw(D).



Ø3.5 X14mm

(D)

X 4





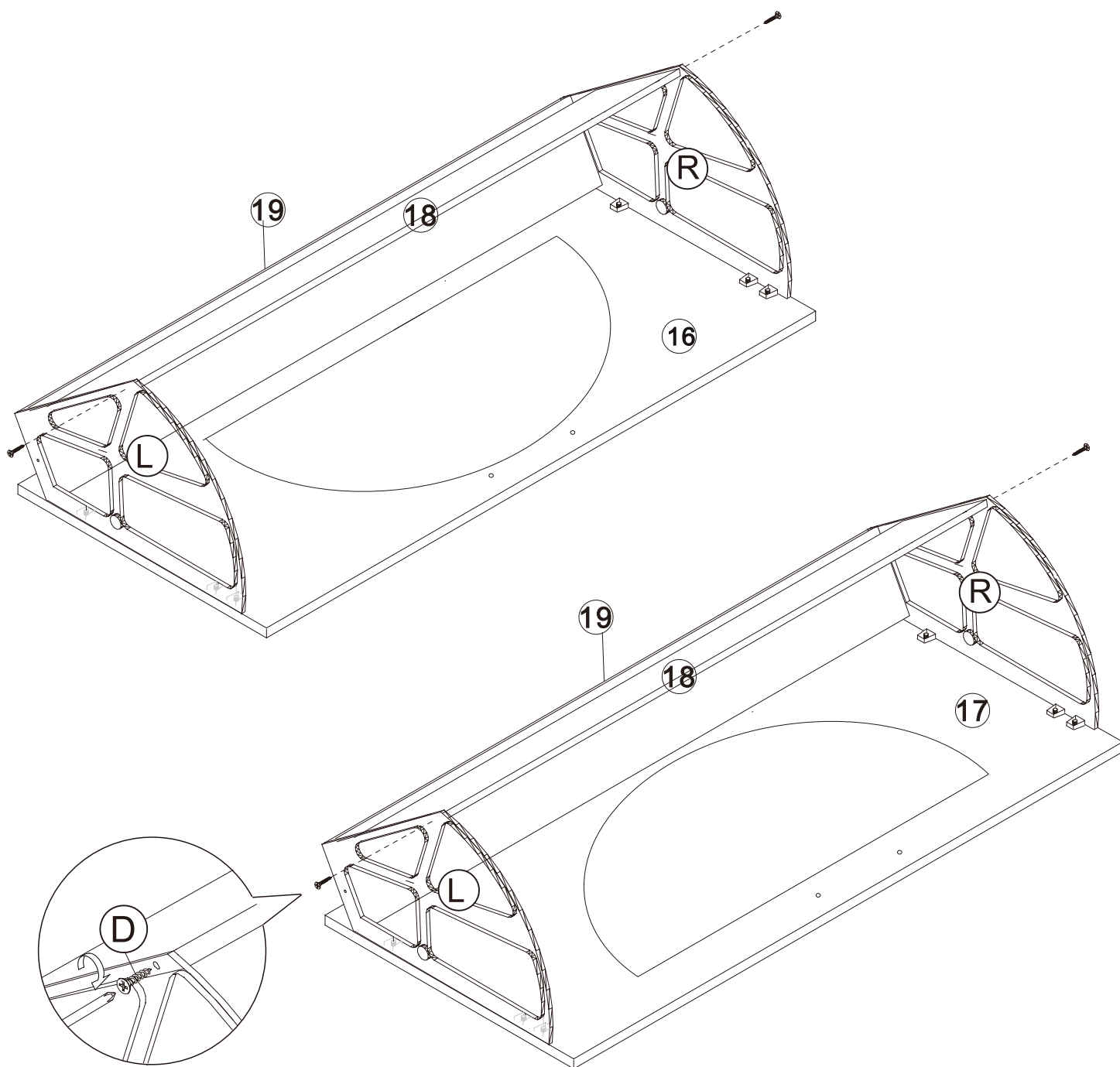
Ø3.5 X14mm

(D)

x4

13.

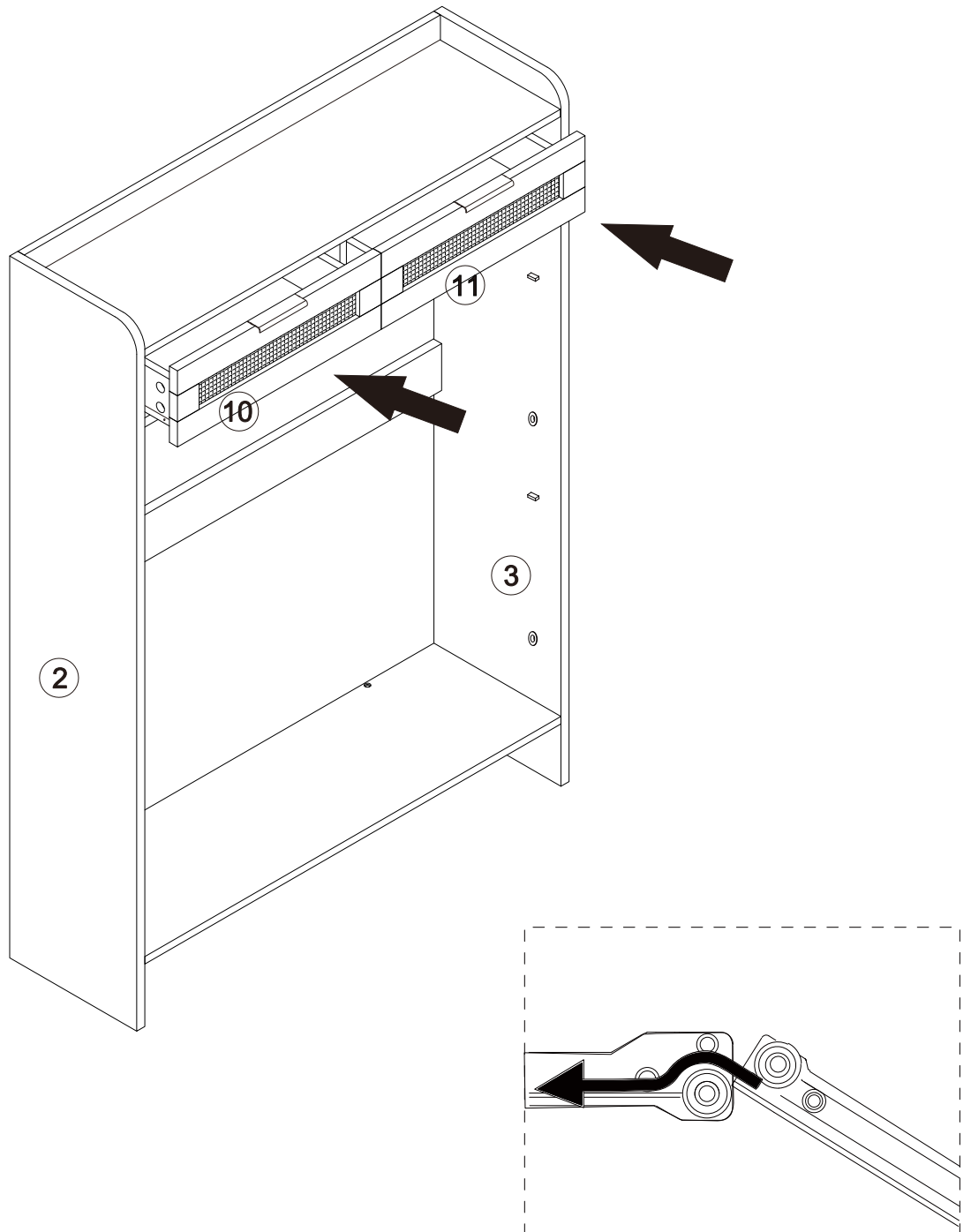
(1) Install panel(18) to the flip support(L)(R) with screw(D).



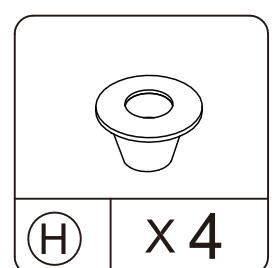
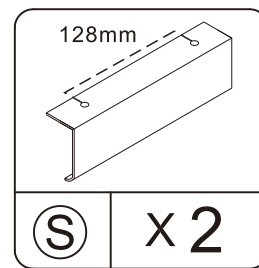
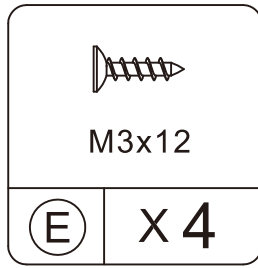
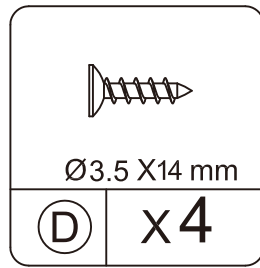
14.

(1) Insert the drawer to the table.

Attention: please don't install the left drawer(10) and right drawer(11) in reverse.



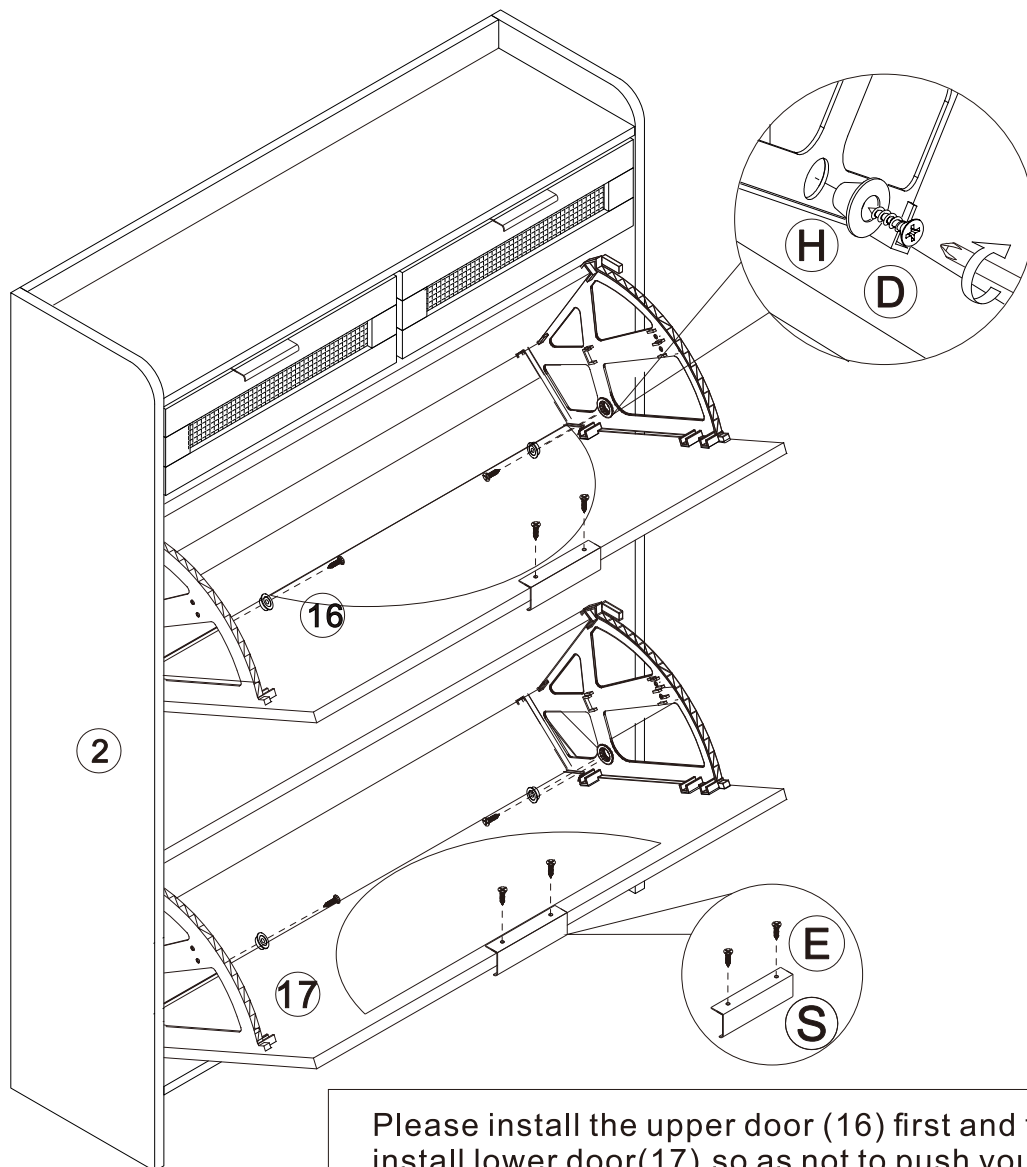
15.



(1) Install 2 flip drawers to the cabinet with plug(H) and screw(D).

Attention: please don't install the upper door(16) and lower door(17) in reverse.

(2) Install handle(S) with screw(E).



Please install the upper door (16) first and then install lower door(17), so as not to push your knees against the door(17).

16.

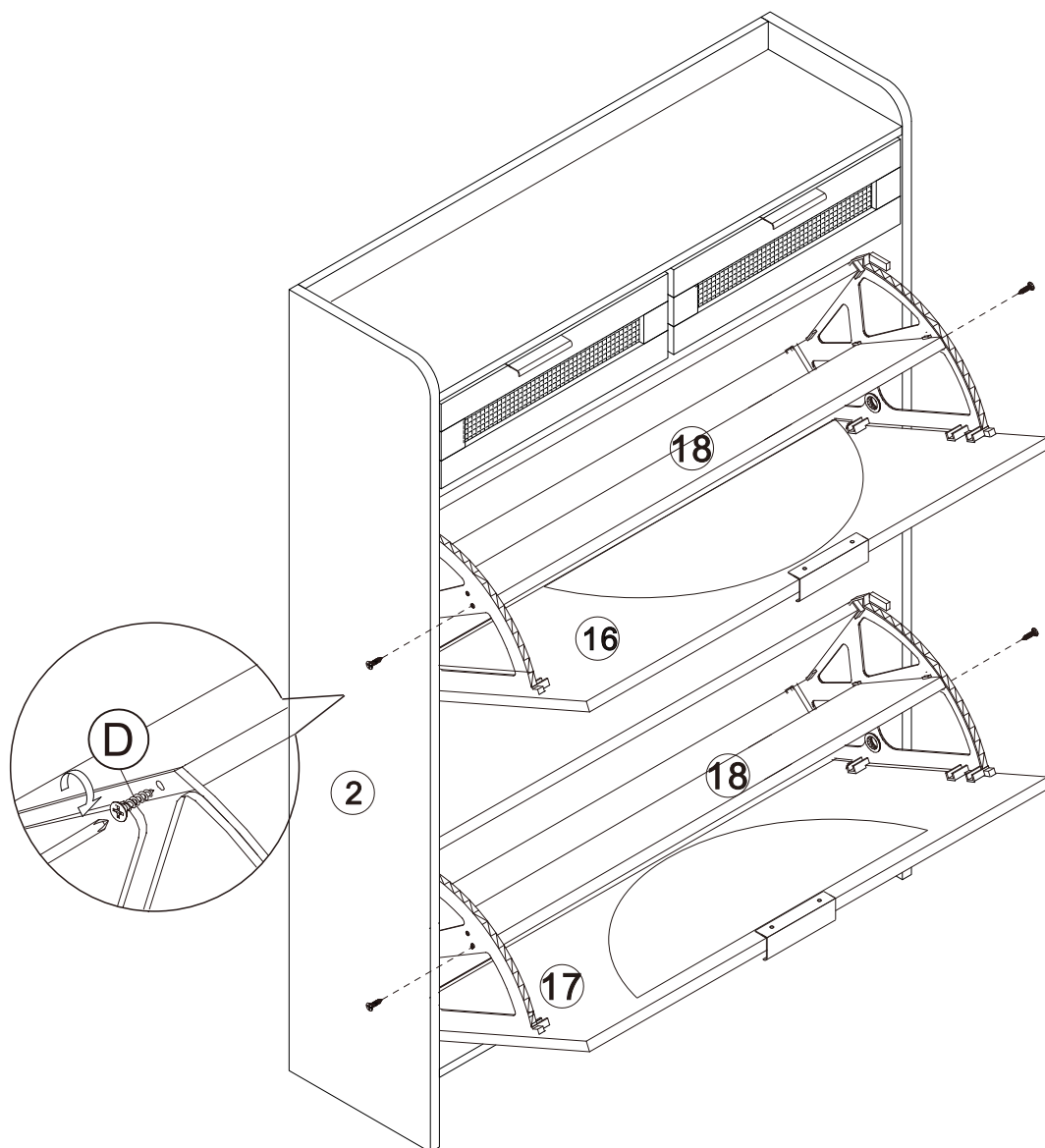
(1) Insert panel(18) and and secure with screw(D).



Ø3.5 X14 mm

(D)

x4



WARNING



Children have died from furniture tipover. To reduce the risk of furniture tipover:

- ALWAYS install tipover restraint provided.
- NEVER put a TV on this product.
- NEVER allow children to stand, climb or hang on drawers, doors, or shelves.
- NEVER open more than one drawer at a time.
- Place heaviest items in the lowest drawers.
- Do not defeat or remove the drawer interlock system.

This is a permanent label.

Do not remove!

ATTENTION



Des enfants sont morts du basculement des meubles. Pour réduire le risque de basculement des meubles:

- TOUJOURS installer la retenue de basculement fournie.
- NE JAMAIS mettre de téléviseur sur ce produit.
- NE JAMAIS permettre aux enfants de se tenir debout, de grimper ou de s'accrocher à des tiroirs, des portes ou des étagères.
- N'ouvrez JAMAIS plus d'un tiroir à la fois.
- Placez les objets les plus lourds dans les tiroirs les plus bas.
- Ne désactivez pas et ne retirez pas le système de verrouillage du tiroir.

Ceci est une étiquette permanente.

Ne pas enlever!

WARNUNG



Kinder sind an einem Möbelkipp gestorben. So verringern Sie das Risiko eines Umkippen von Möbeln:

- Installieren Sie IMMER die mitgelieferte Kipprückhaltevorrichtung.
- Stellen Sie NIEMALS einen Fernseher an dieses Produkt.
- Lassen Sie Kinder NIEMALS an Schubladen, Türen oder Regalen stehen klettern oder hängen.
- Öffnen Sie NIEMALS mehr als eine Schublade gleichzeitig.
- Legen Sie schwerste Gegenstände in die untersten Schubladen.
- Besiegen oder entfernen Sie das Schubladenverriegelungssystem nicht.

Dies ist ein dauerhaftes Etikett.

Nicht entfernen!