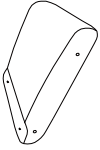

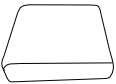

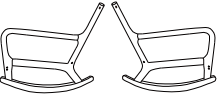

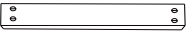


# ASSEMBLY INSTRUCTIONS

<p>Ax1</p> 	<p>Fx2</p> 
<p>Bx1</p> 	<p>Gx8</p> 
<p>Cx1Lx1R</p> 	<p>Hx1</p> 
<p>Dx1</p> 	
<p>Ex10</p> 