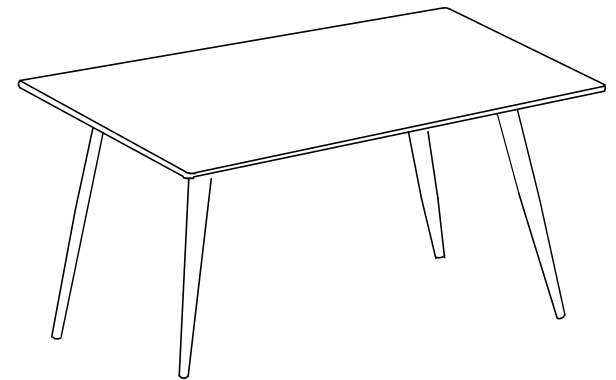
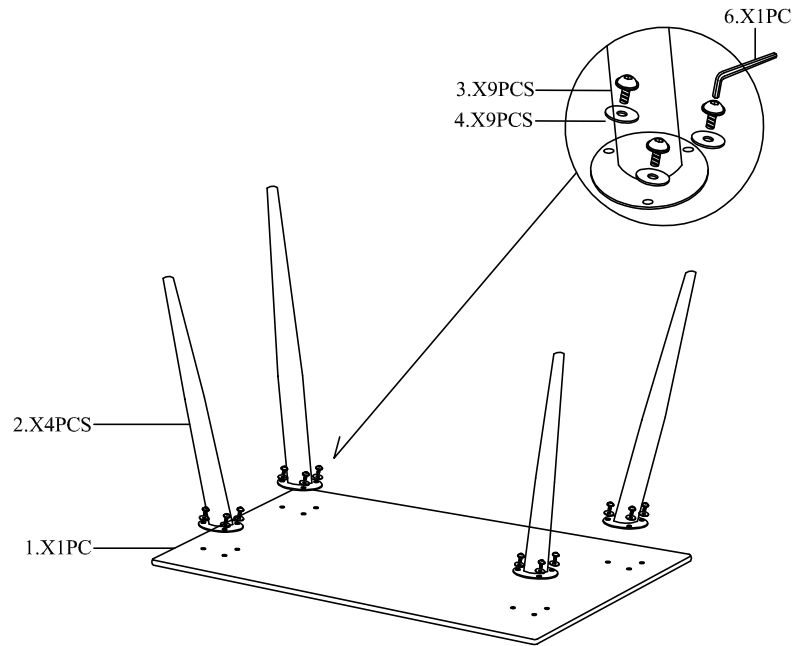
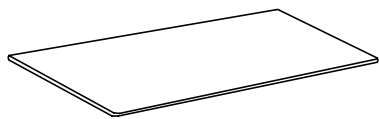


ASSEMBLY INSTRUCTION



1.X1PC



2.X4PCS



3.X12PCS



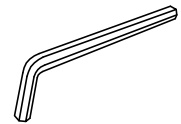
M8*18

4.X12PCS



M8

6.X1PC



M5