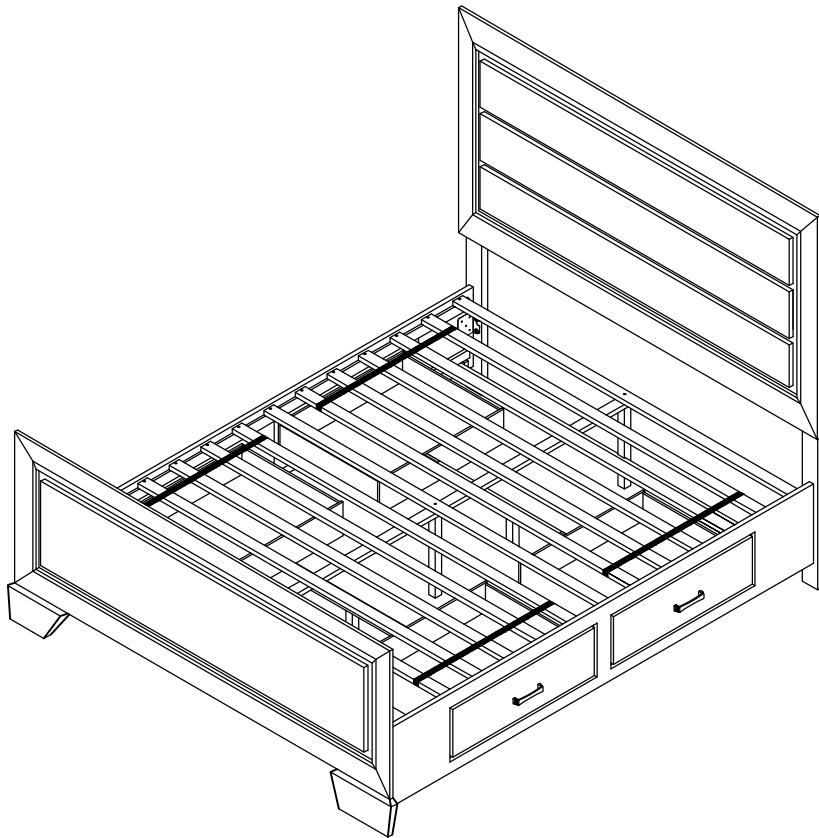


# *ASSEMBLY INSTRUCTIONS*



## **Queen Storage Bed**

# ASSEMBLY INSTRUCTIONS

## ASSEMBLY TIPS:

- 1 . Remove hardware from box and sort by size.
- 2 . Please check to see that all hardware and parts are present prior to start of assembly.
- 3 . Please follow attached instructions in the same sequence as numbered to assure fast & easy assembly.



### WARNING !

- 1 . Don't attempt to repair or modify parts that are broken or defective. Please contact the store immediately.
- 2 . This product is for home use only and not intended for commercial establishment.

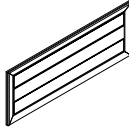
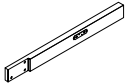
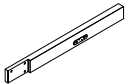
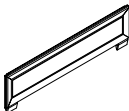


ASSEMBLY TIME

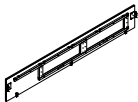
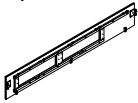
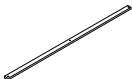

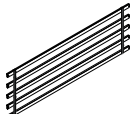
30 MINUTES

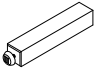
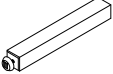
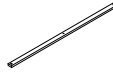

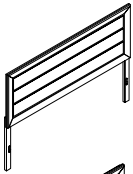
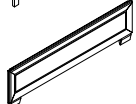
## PARTS IDENTIFICATION

### B1 (BOX 1)

A	HEADBOARD PANEL		1PC
B	LEFT HEADBOARD LEG		1PC
C	RIGHT HEADBOARD LEG		1PC
D	FOOTBOARD		1PC

### B2 (BOX 2)

E	LEFT BED RAIL		1PC
F	RIGHT BED RAIL		1PC
G	BED SLAT WITH 3 HOLES		3PCS
H	DRAWER SLAT		2PCS
I	ROLL SLAT (5PCS)		2SETS

J	STORAGE FOOTBOARD SUPPORT LEG		2PCS
K	CENTER RAIL SUPPORT WITH LEVELER		3PCS
L	CENTER RAIL		1PC
M	BOTTOM CROSS BAR		3PCS
HB	FROM BOX 1 HEADBOARD COMPLETE		1PC
D	FROM BOX 1 FOOTBOARD		1PC

### B3 (BOX 3)

N	DRAWER BOX		2PCS
---	------------	---	------

### B4 (BOX 4)

O	DRAWER BOX		2PCS
---	------------	---	------

# ASSEMBLY INSTRUCTIONS

## ASSEMBLY TIPS:

- 1 . Remove hardware from box and sort by size.
- 2 . Please check to see that all hardware and parts are present prior to start of assembly.
- 3 . Please follow attached instructions in the same sequence as numbered to assure fast & easy assembly.



### WARNING !

- 1 . Don't attempt to repair or modify parts that are broken or defective. Please contact the store immediately.
- 2 . This product is for home use only and not intended for commercial establishment.



ASSEMBLY TIME

30 MINUTES

## HARDWARE IDENTIFICATION

### Z-B1 (BOX 1) - HARDWARE PACK IS LOCATED

1 BOLT  
(M6 x30mm - BLK)



6PCS

2 LOCK WASHER  
(1/4" - BLK)



6PCS

3 FLAT WASHER  
(1/4" x13mm - BLK)



6PCS

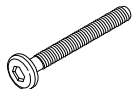
4 ALLEN WRENCH  
(M4 x 65mm - BLK)



1PC

### Z-B2 (BOX 2) - HARDWARE PACK IS LOCATED

5 BOLT  
(M6 x50mm - BLK)



5PCS

6 LONG FLAT HEAD  
SCREW  
(M4 x 32mm - RBW)



43PCS

7 SHORT FLAT HEAD  
SCREW  
(M4 x 16mm - RBW)



4PCS

8 SMALL ALLEN  
WRENCH  
(M4 x 65mm - BLK)



1PC

9 BIG ALLEN  
WRENCH  
(M5 x 65mm - BLK)



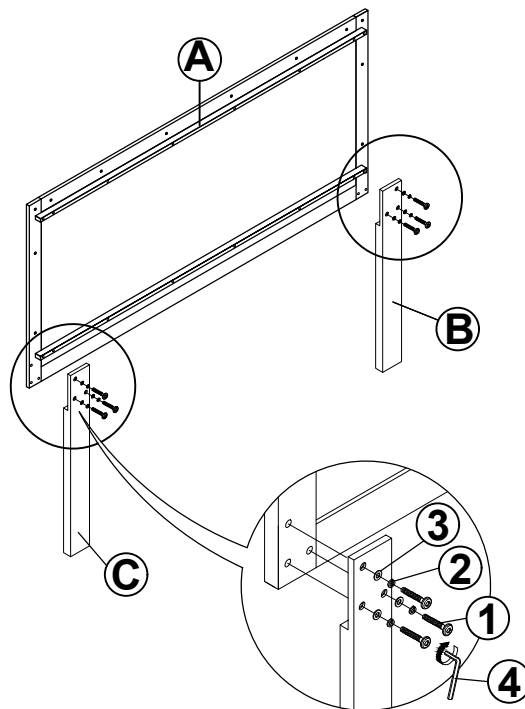
1PC

### NOTE:

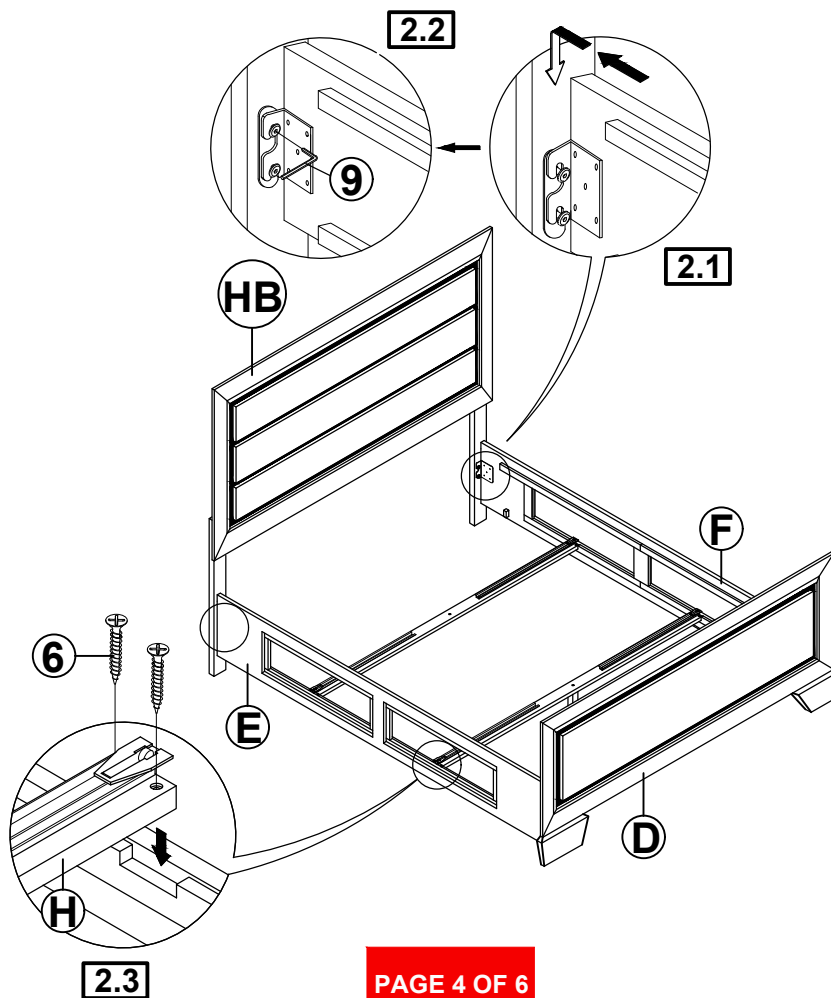
Philips head screw driver in the assembly process ; however, manufacturer does not provide the item

# ASSEMBLY INSTRUCTIONS

## STEP 1

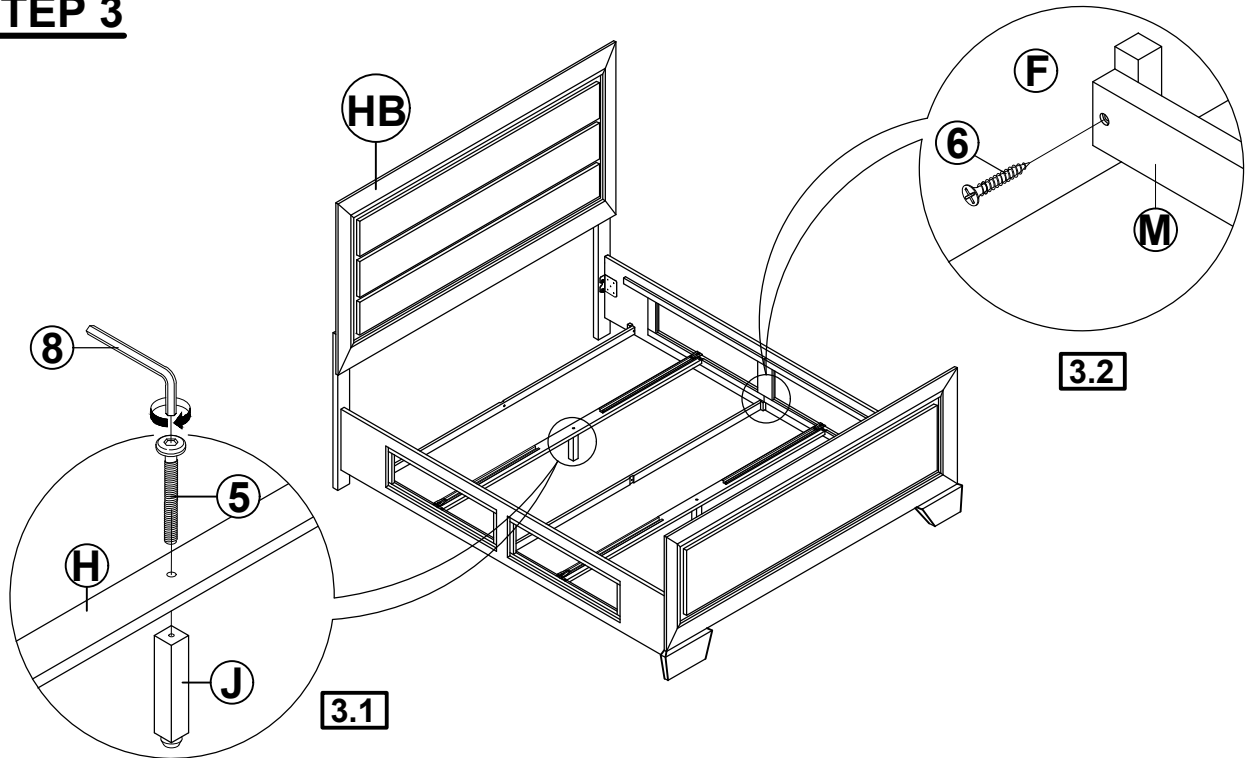


## STEP 2

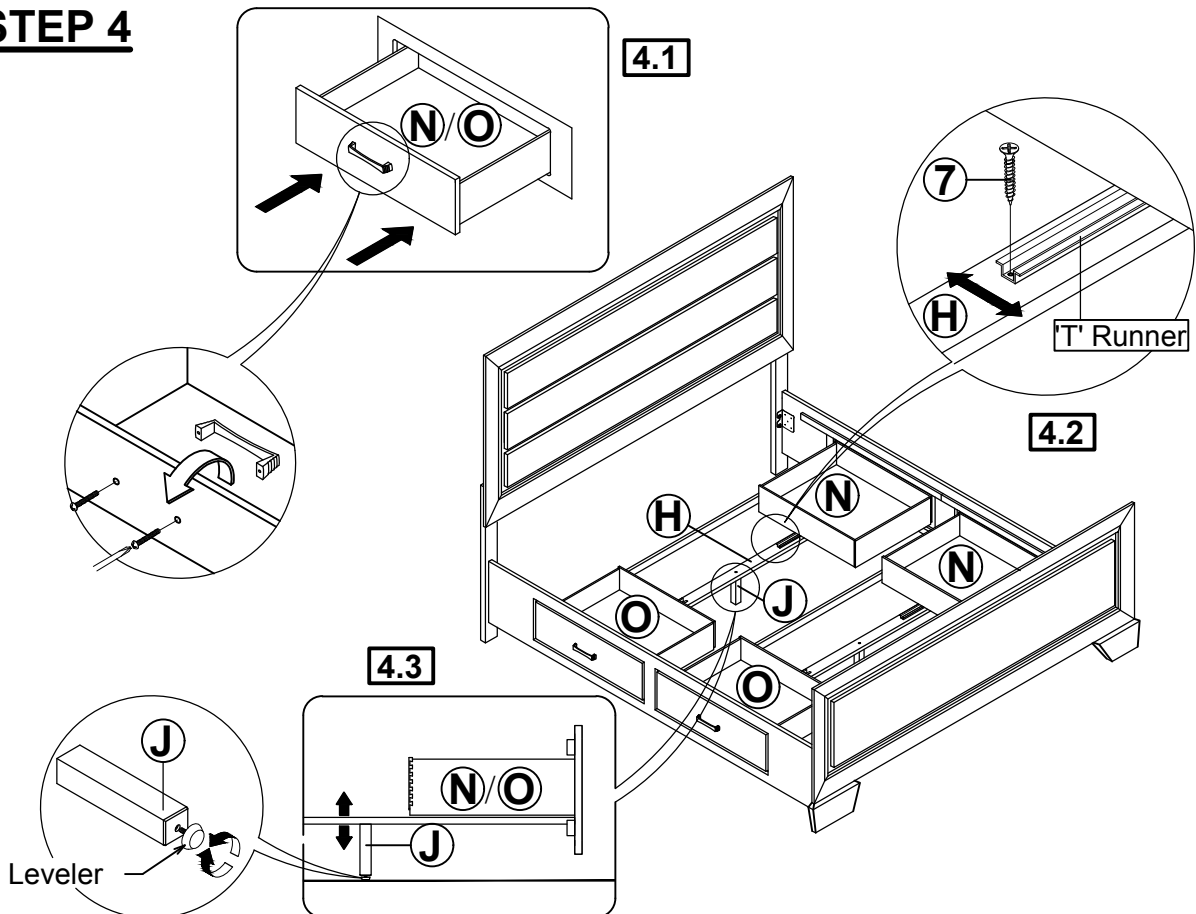


# ASSEMBLY INSTRUCTIONS

## STEP 3

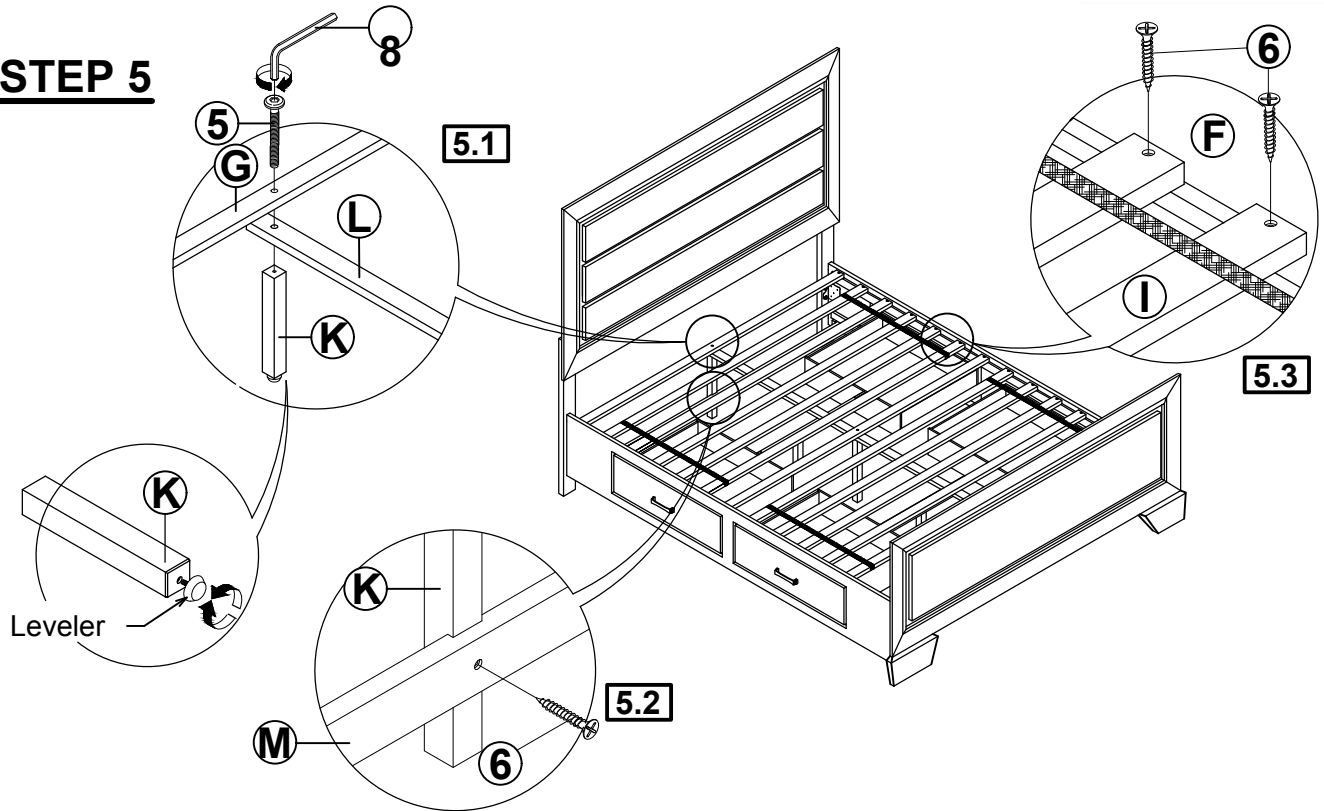


## STEP 4

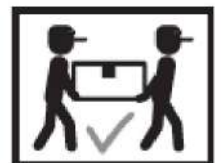
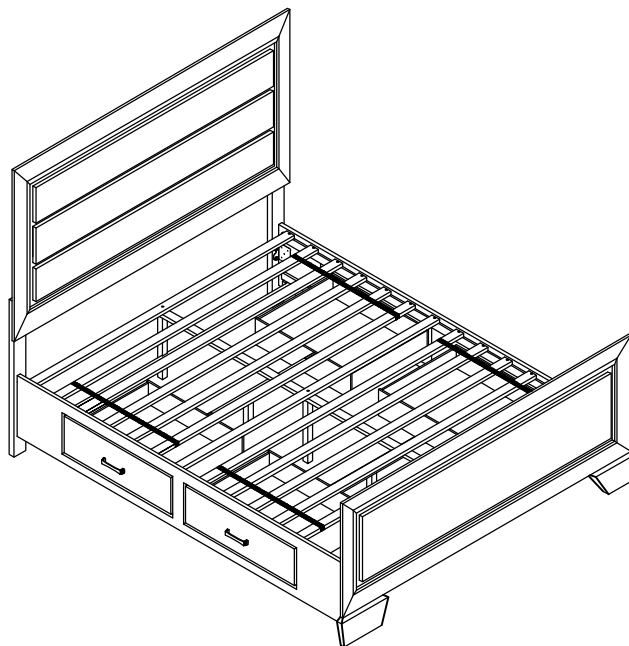


# ASSEMBLY INSTRUCTIONS

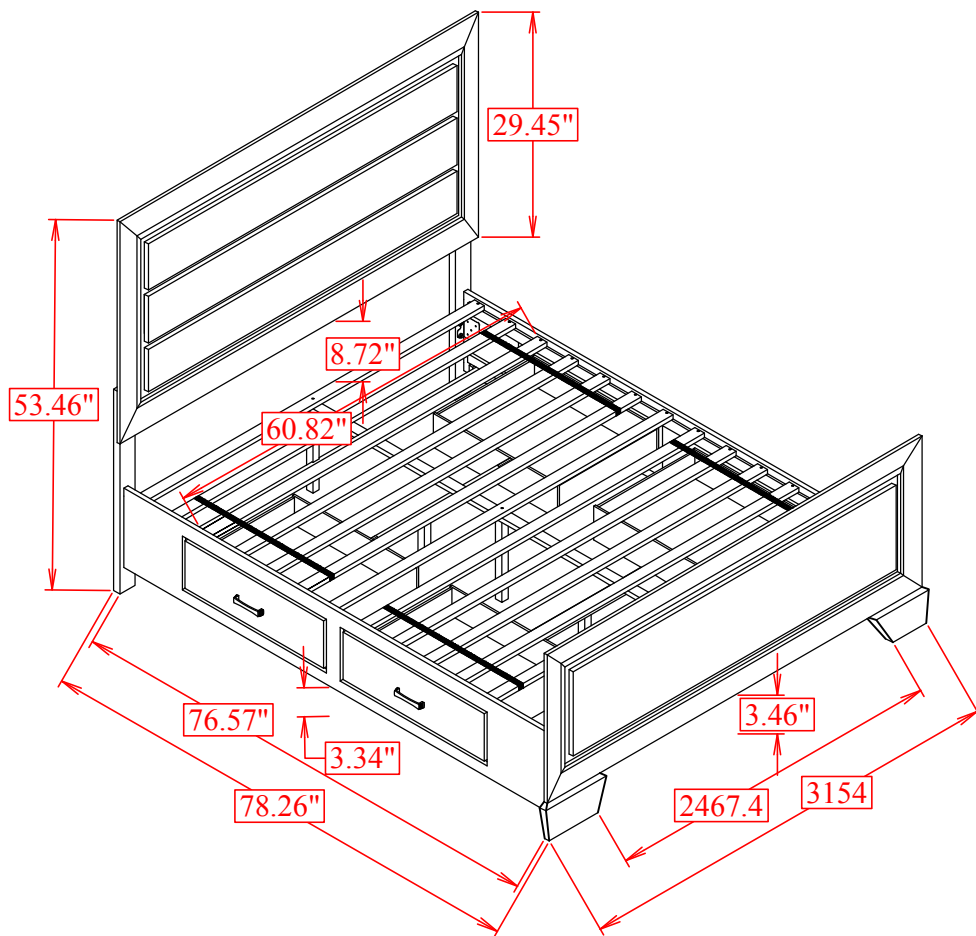
## STEP 5



## STEP 6 COMPLETE



**INNER SIZE : 60.82" X 76.57"**  
**INNER SIZE DRAWER : 5.78" X 17.71" X 24.01"**



**Note:** Dimension tolerance  $\pm 5\%$