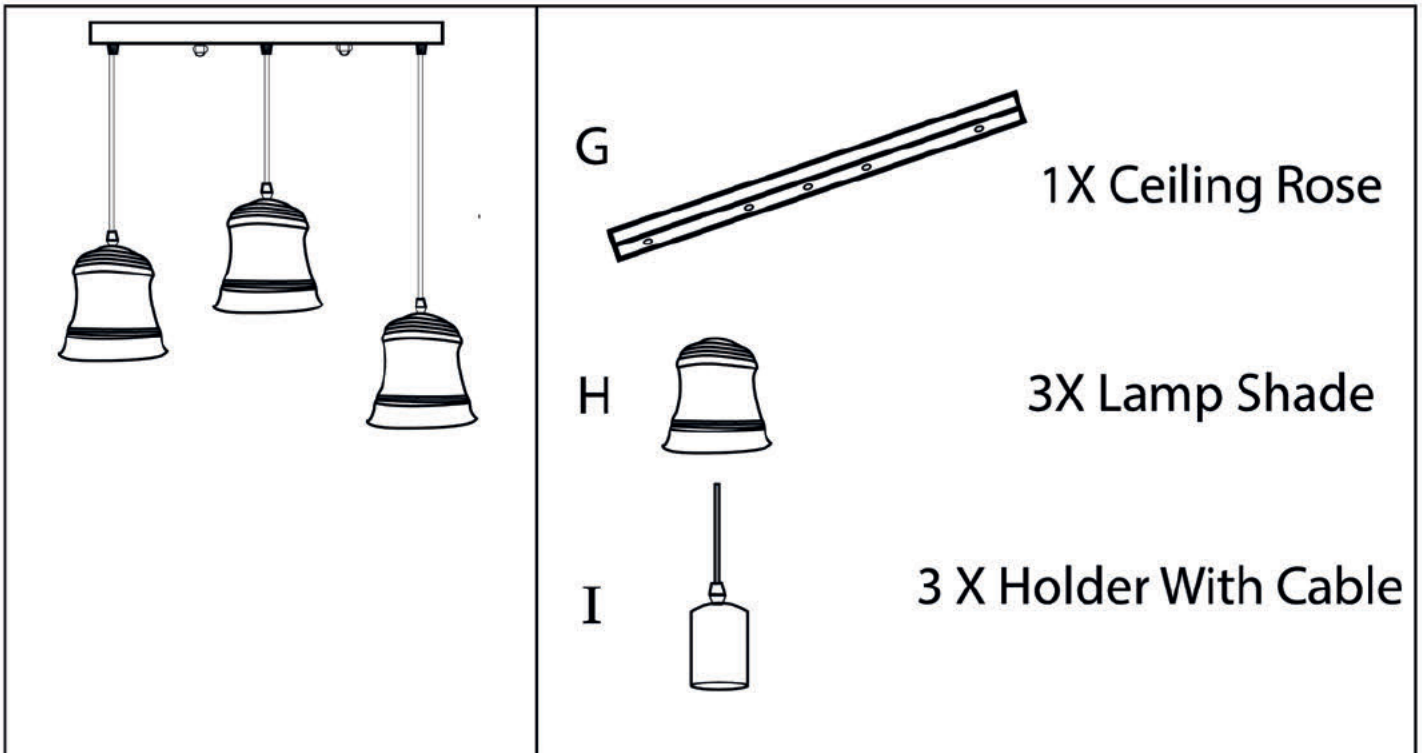




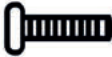

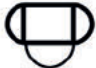



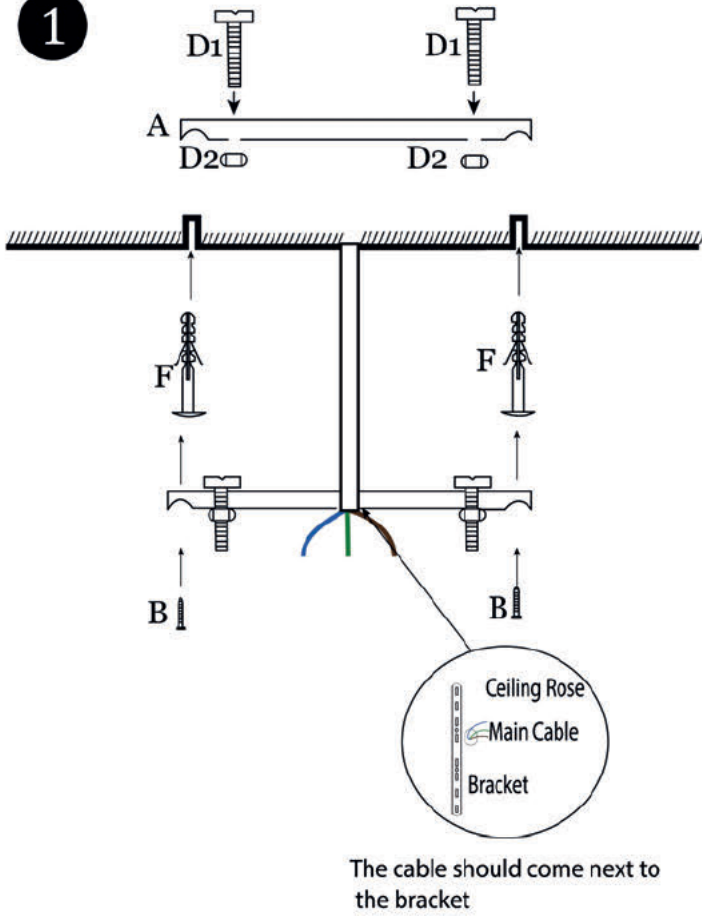
Vintage Metal Pendant Lamp Assembling Instruction



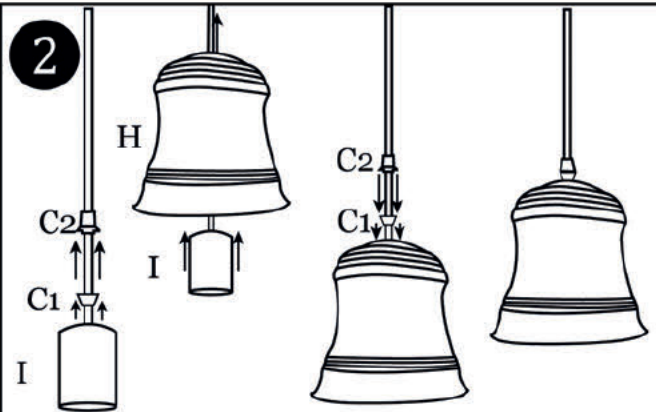
A		1
B		2
C1		3
C2		3
D1		2
D2		2
E		2
F		2

3 Head Pendant Lamp Assembling Instruction

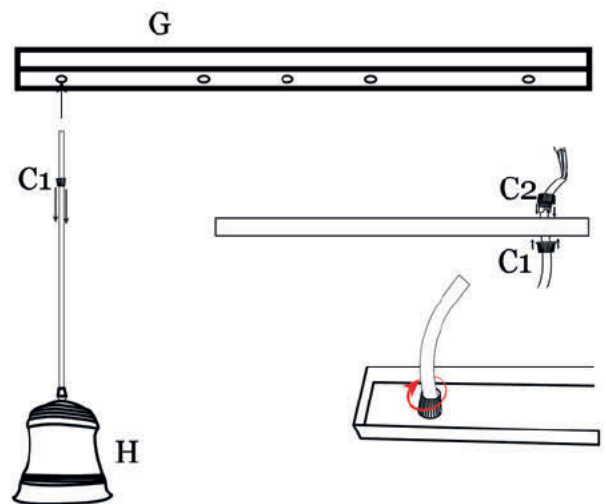
1



2

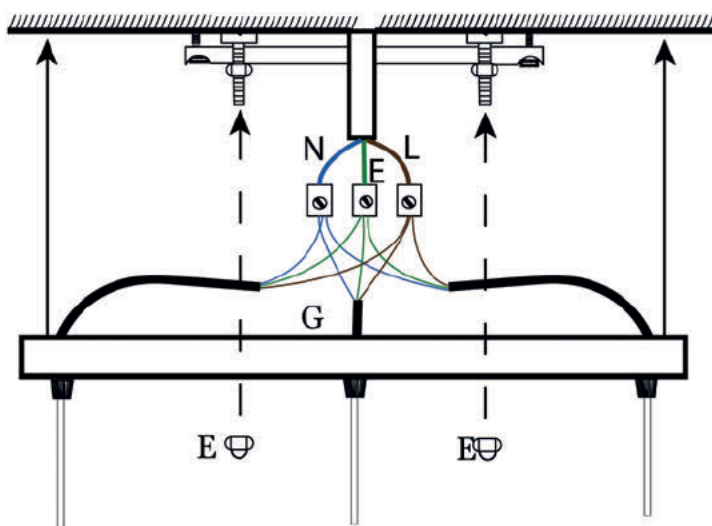


3



4

N - Blue
E - Green
L - Brown



5



Please refer the last page for compatible lamp shades

Vintage Metal Pendant Lamp Assembling Instruction

