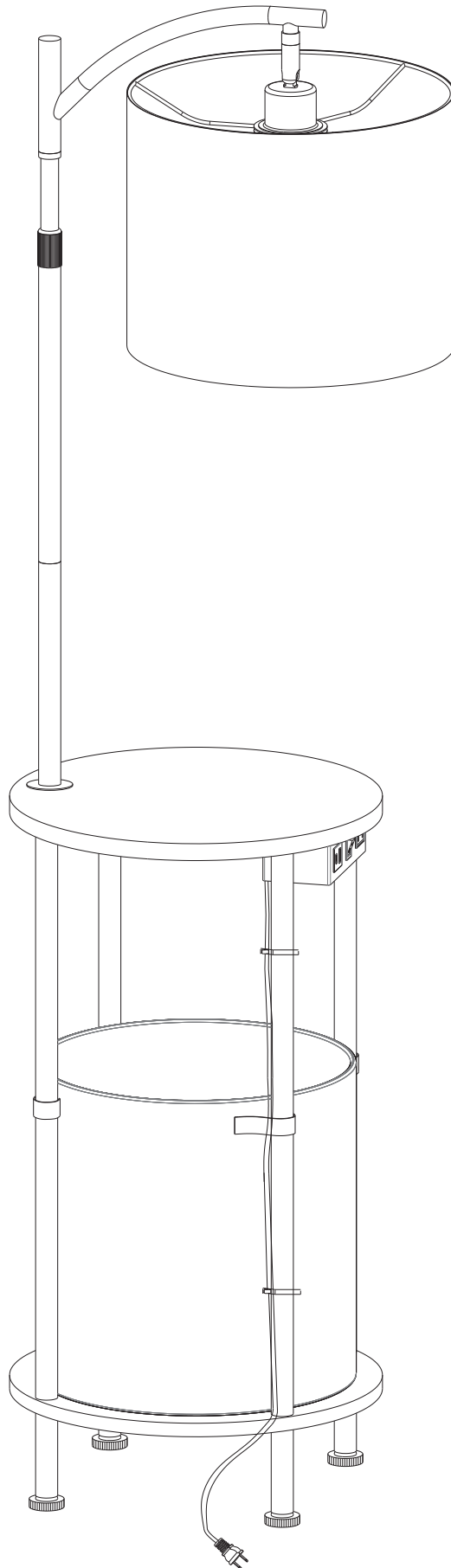
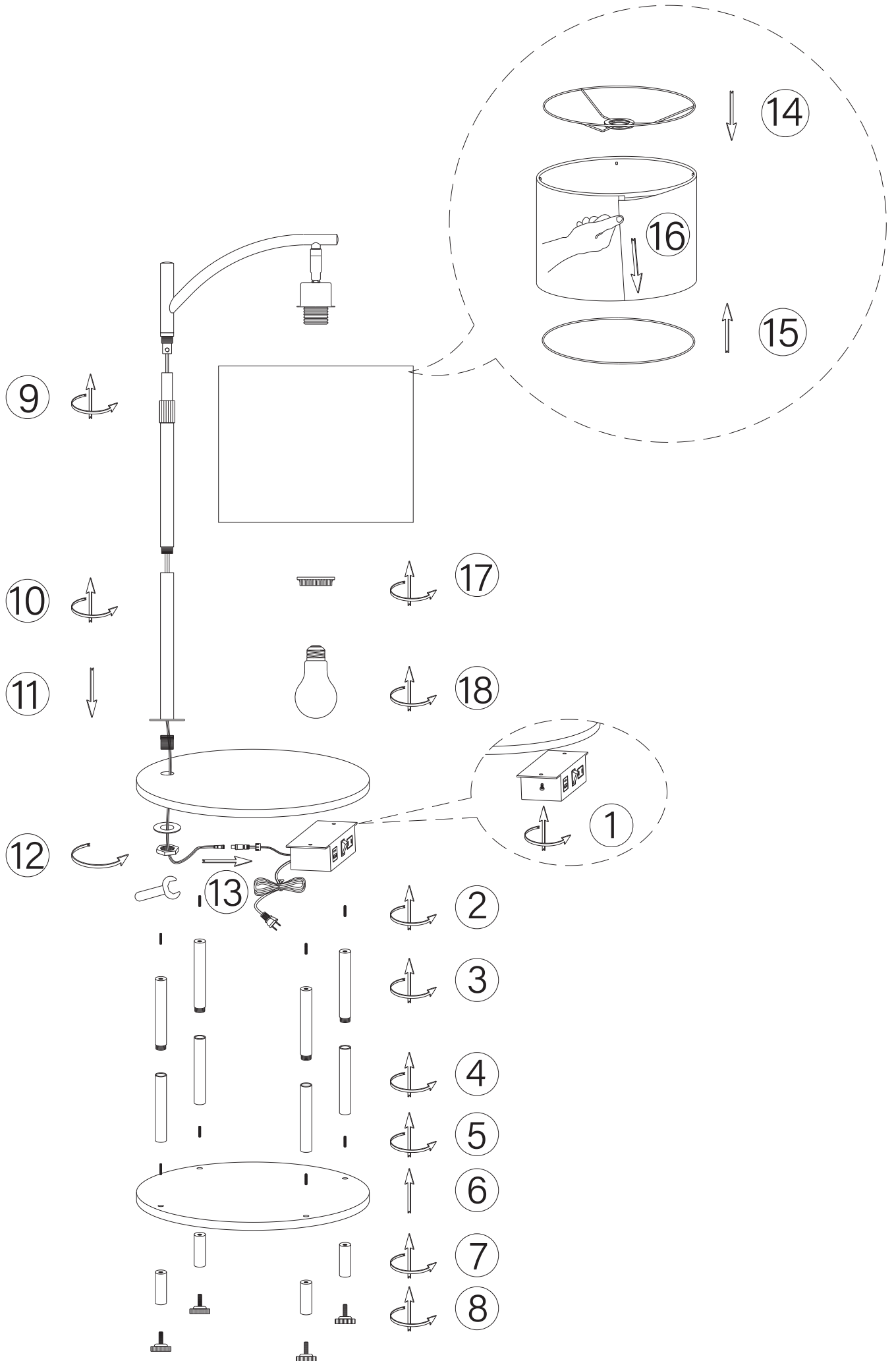
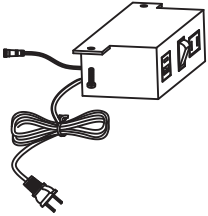

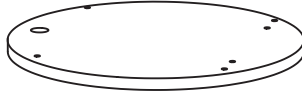
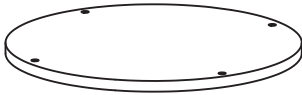






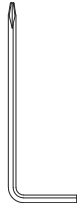
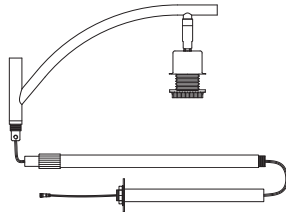



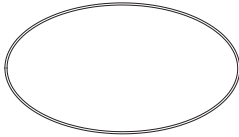



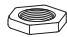
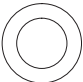



# Installation Manual





<p>electricalbox*1</p> 	<p><math>G\frac{1}{4}</math>-20T*L13MM*2</p> 	<p>Domeroof*1</p> 	<p>Roundbottomplate*1</p> 
<p>L260mm threaded tubing/pipe*4</p> 	<p>L250mm Vehicle toothpipe*4</p> 	<p>L75mm Vehicle toothpipe*4</p> 	<p>support leg*4</p> 
<p><math>G\frac{1}{4}</math>"-20T*30MM Toothpick*4</p> 	<p><math>G\frac{1}{4}</math>"-20T*20MM Toothpick*4</p> 	<p>Dual-purposehexsocket wrench*1</p> 	<p>Lampbodywith wiring*1</p> 
<p>spanner*1</p> 	<p>pothook*2</p> 	<p>Wireclip*2</p> 	<p>Steelframering (below)*1</p> 
<p>Steelframering (upperpart)*1</p> 	<p>lampshade*1</p> 	<p>bulb*1</p> 	<p>nut*1</p> 
<p>gasket*1</p> 	<p>Round Storage Basket*1</p> 		

1

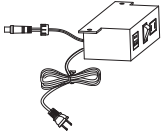
dual-purpose hex wrench\*1



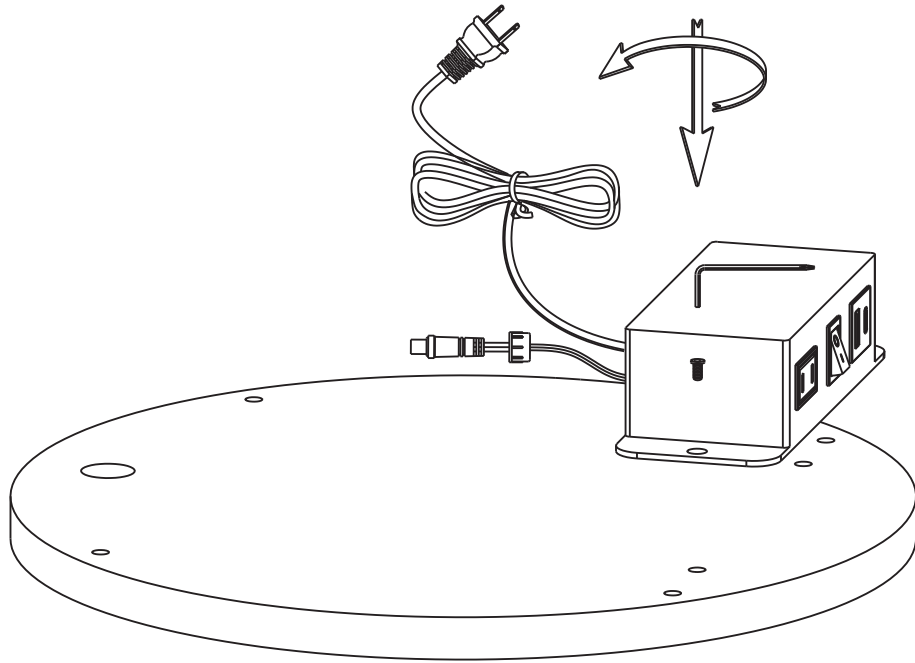
G $\frac{1}{4}$ "-20T\*L13MM\*2



electrical box\*1



Domeroof\*1

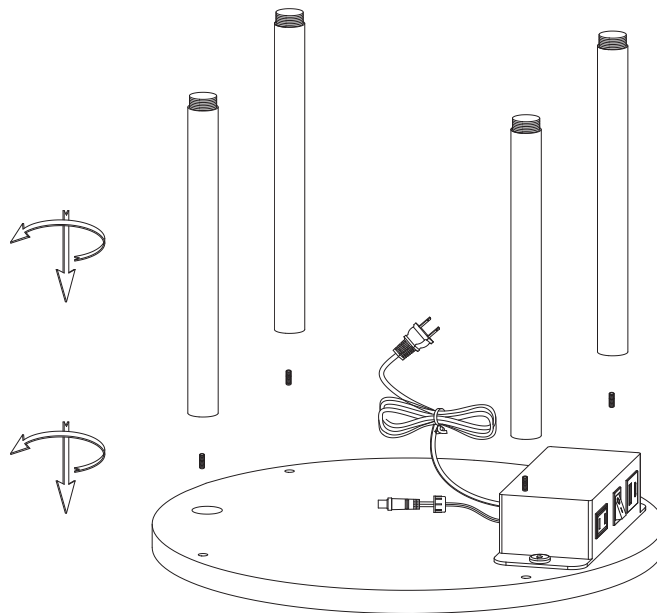


2

L260mm threaded tubing/pipe\*4

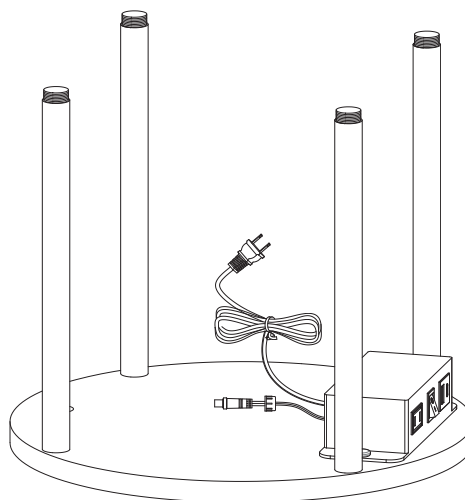
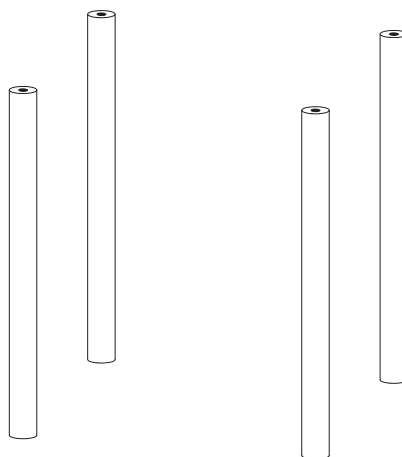


G $\frac{1}{4}$ "-20T\*20 MM threaded rod\*4



3

L250mm threaded tubing/pipe\*4

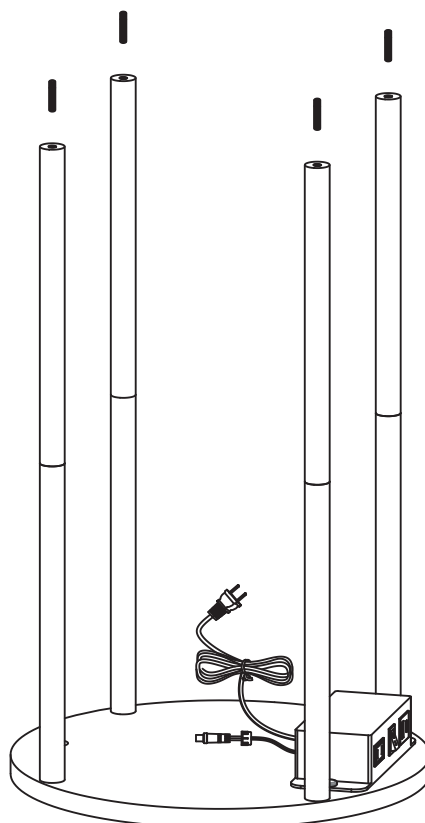
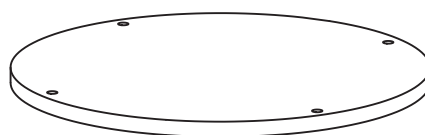


4

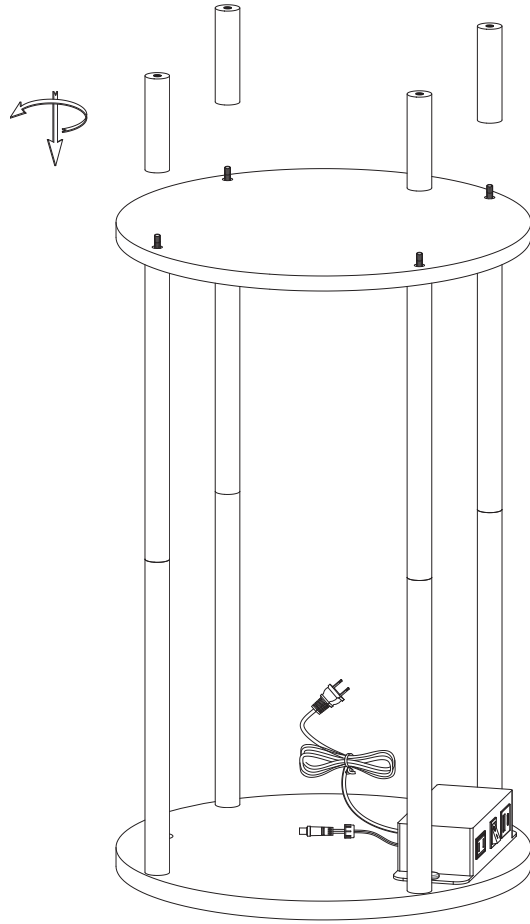
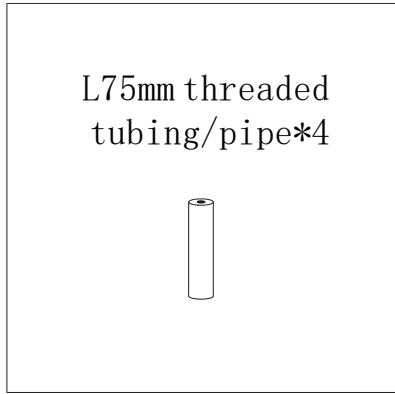
$G\frac{1}{4}$ "-20T\*30MM screw rod\*4



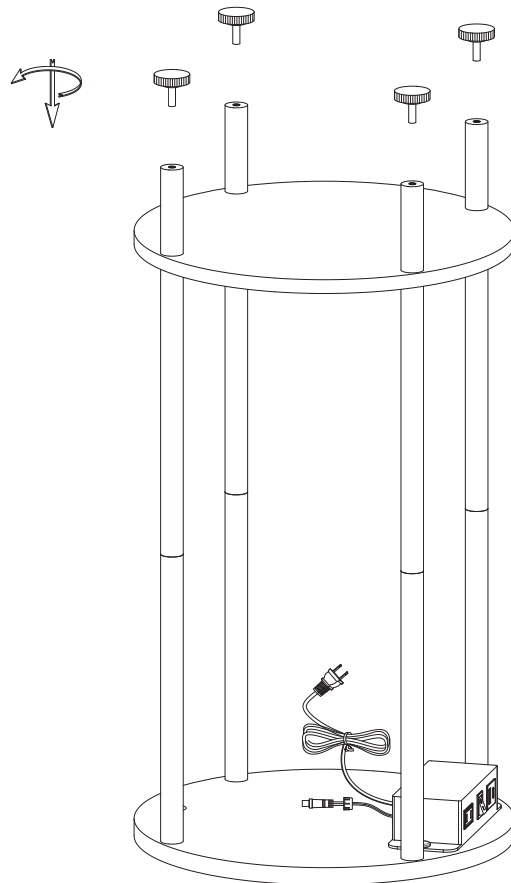
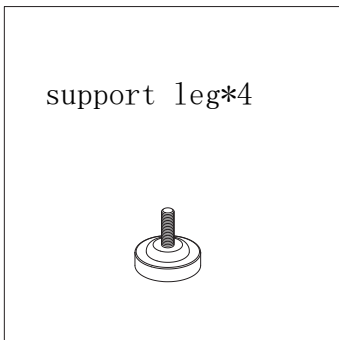
circular base plate



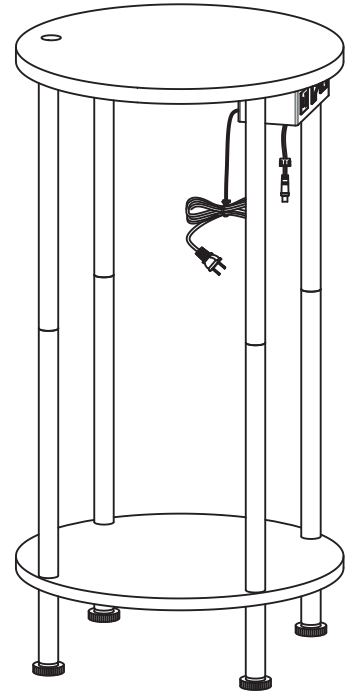
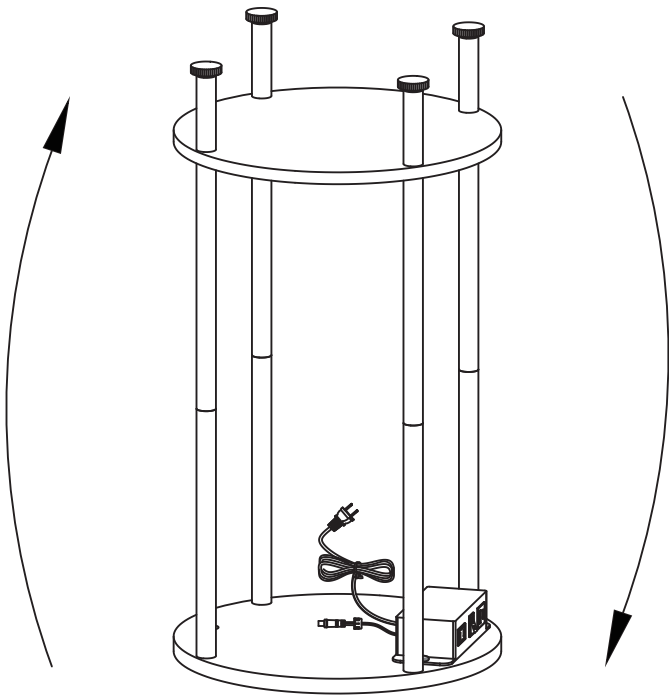
5



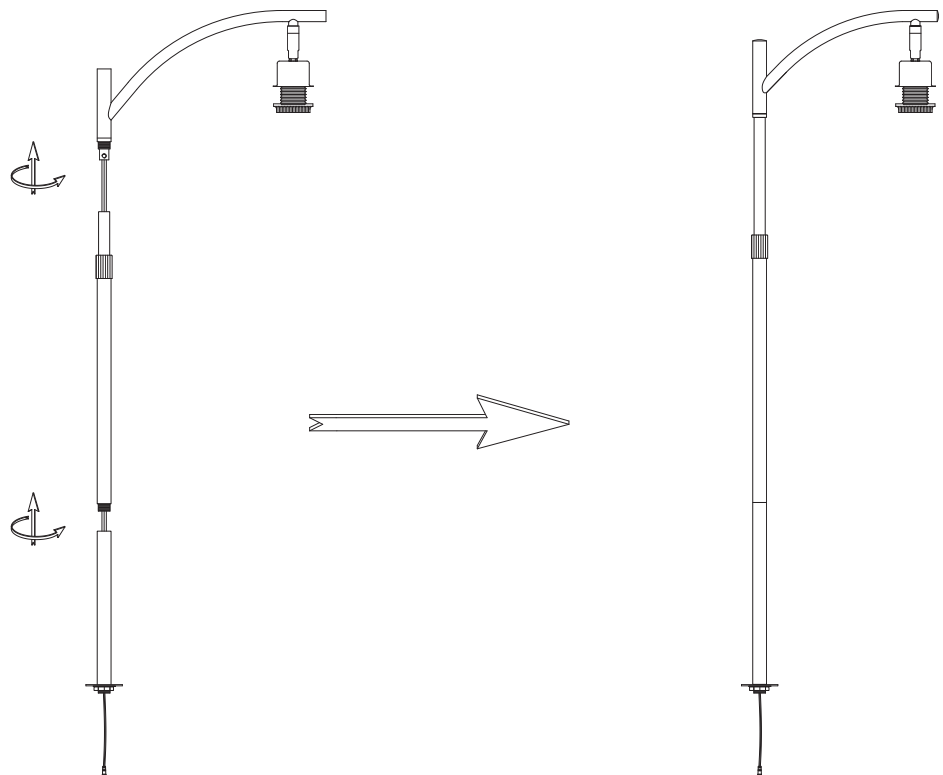
6



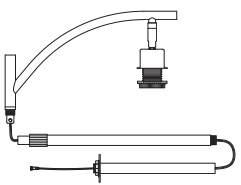
7



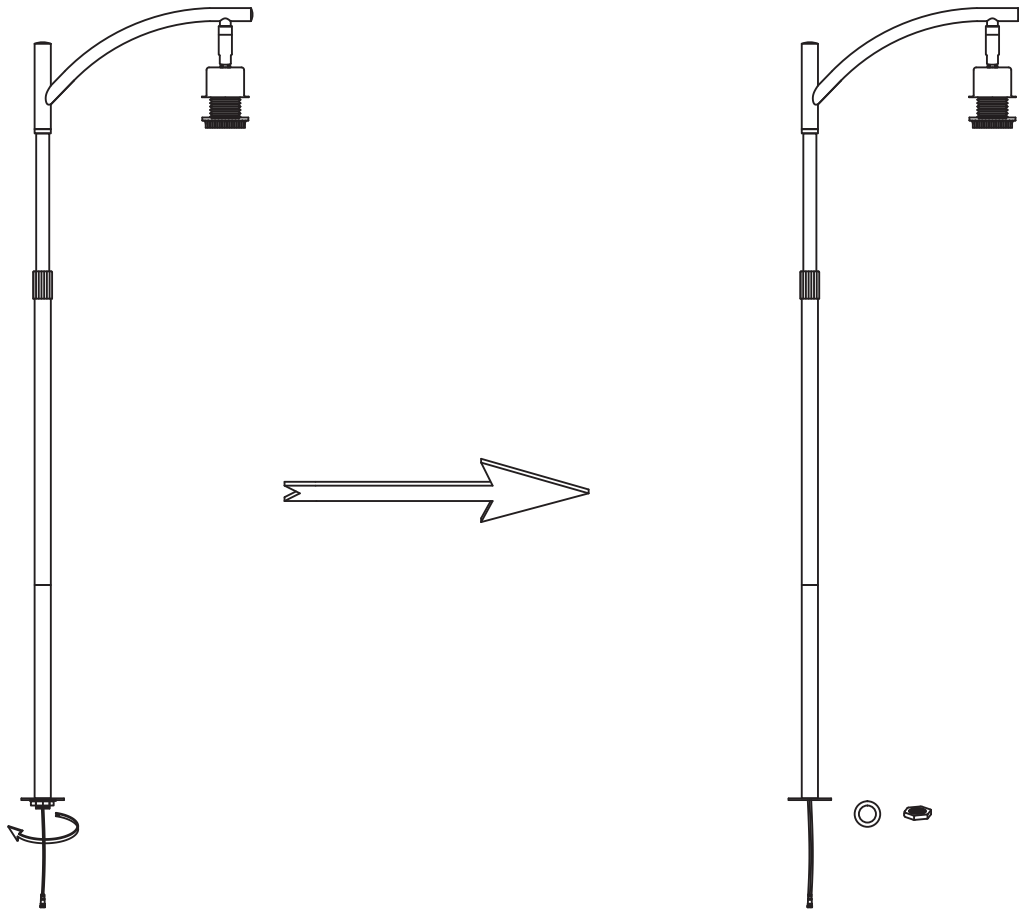
8



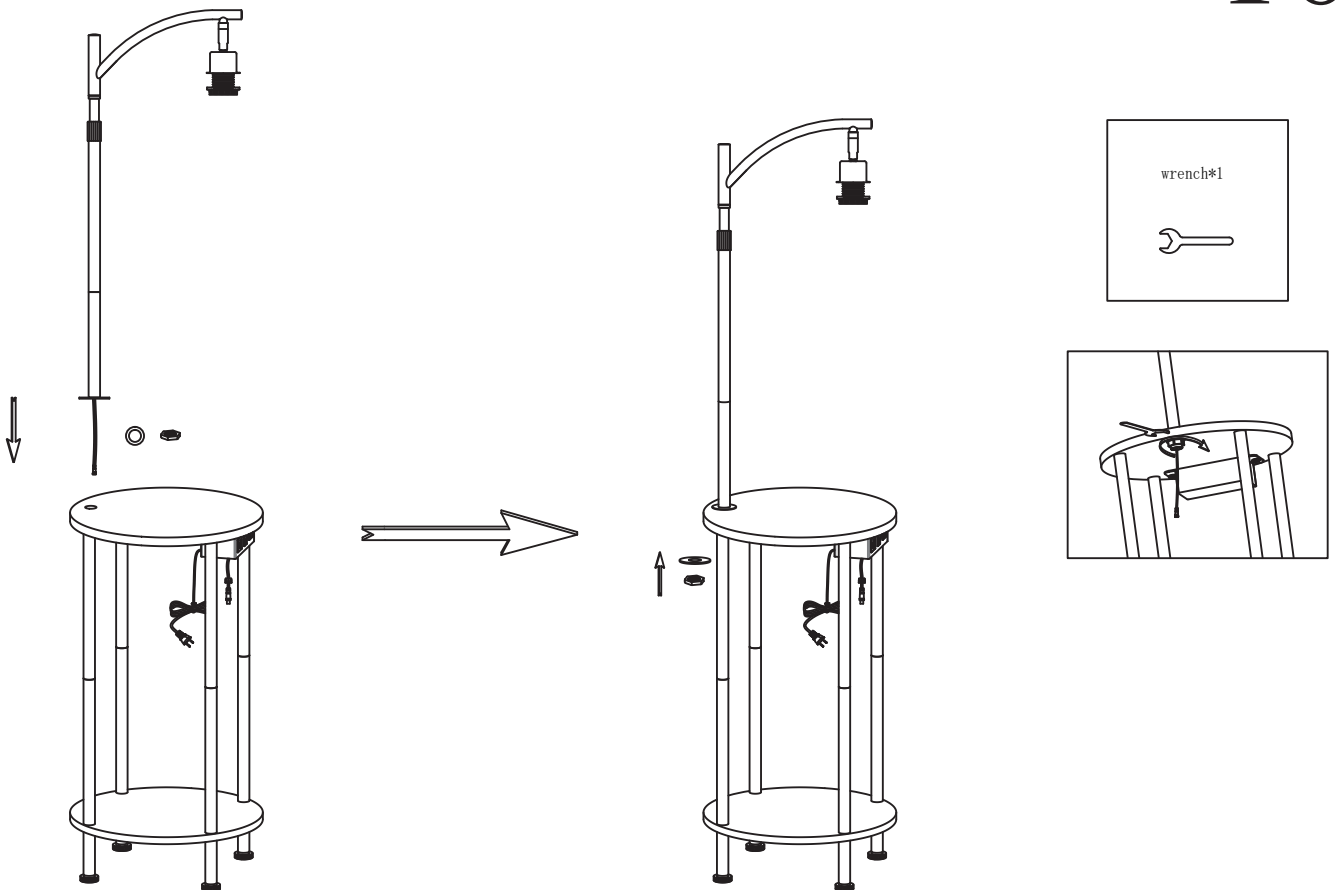
light body with wires



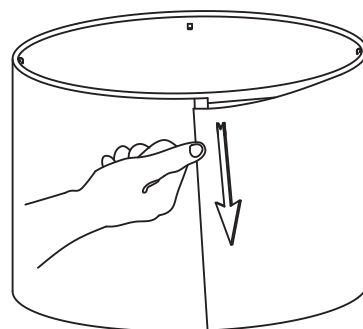
9



10



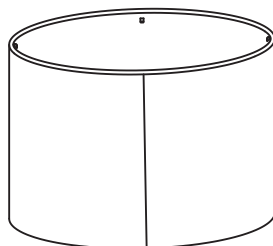
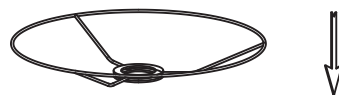
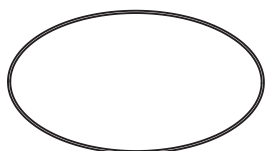
4. lampshade\*1

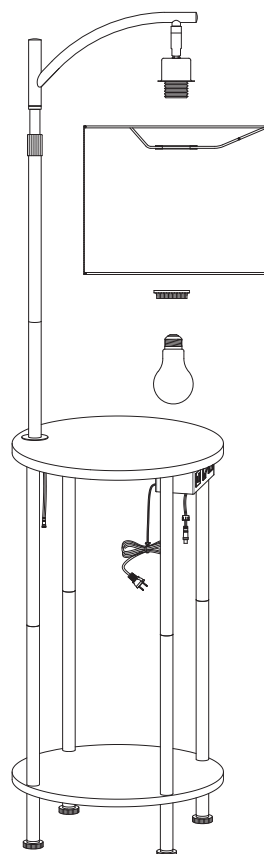
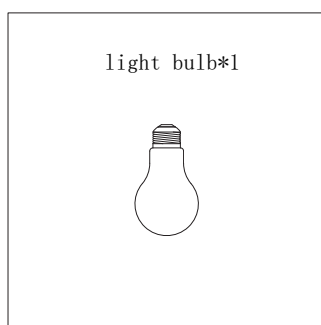
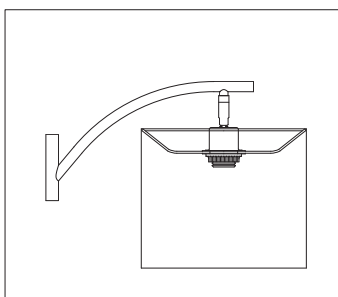
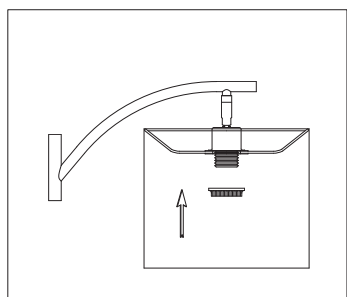
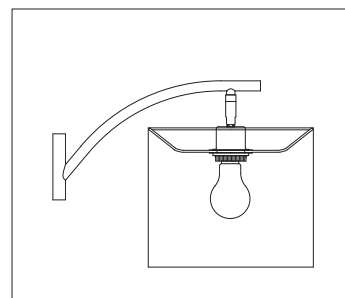
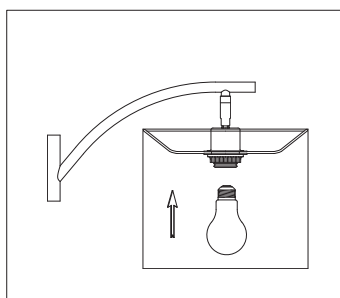
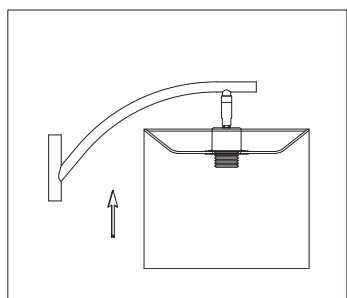


14. Steel Frame Ring  
(Upper)\*1

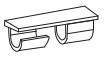


10. Steel Frame Ring  
(Lower)\*1





wire clip\*2



hook\*2

