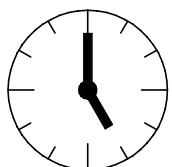
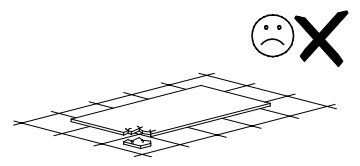
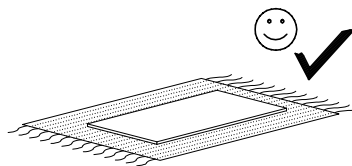
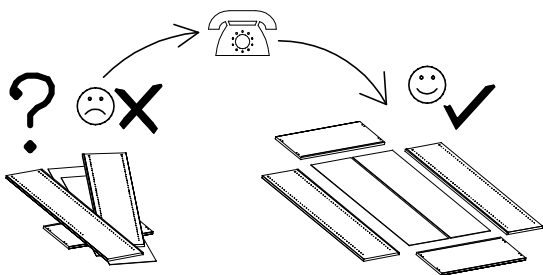
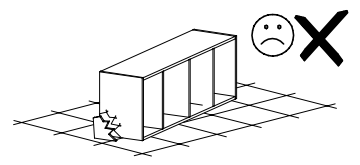
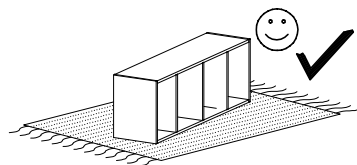
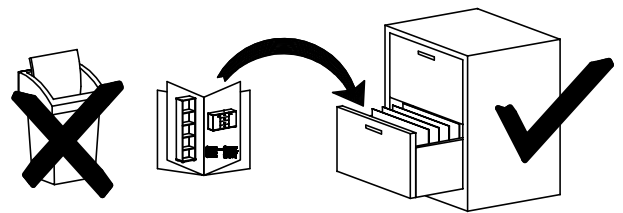
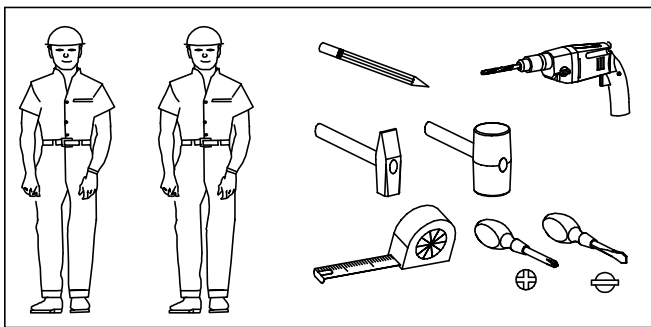
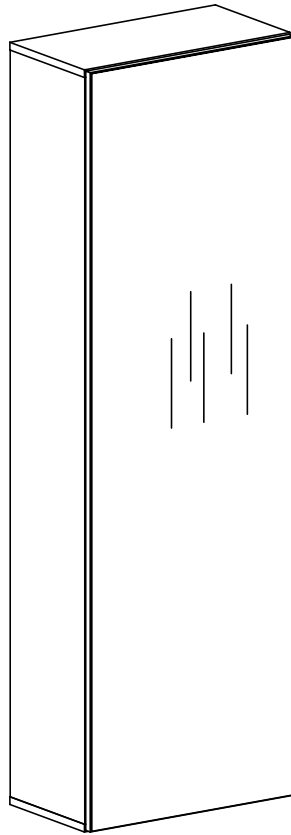
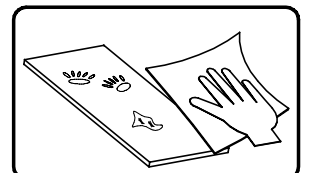
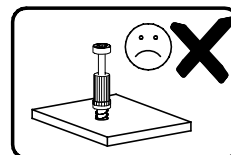
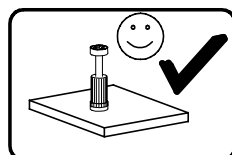
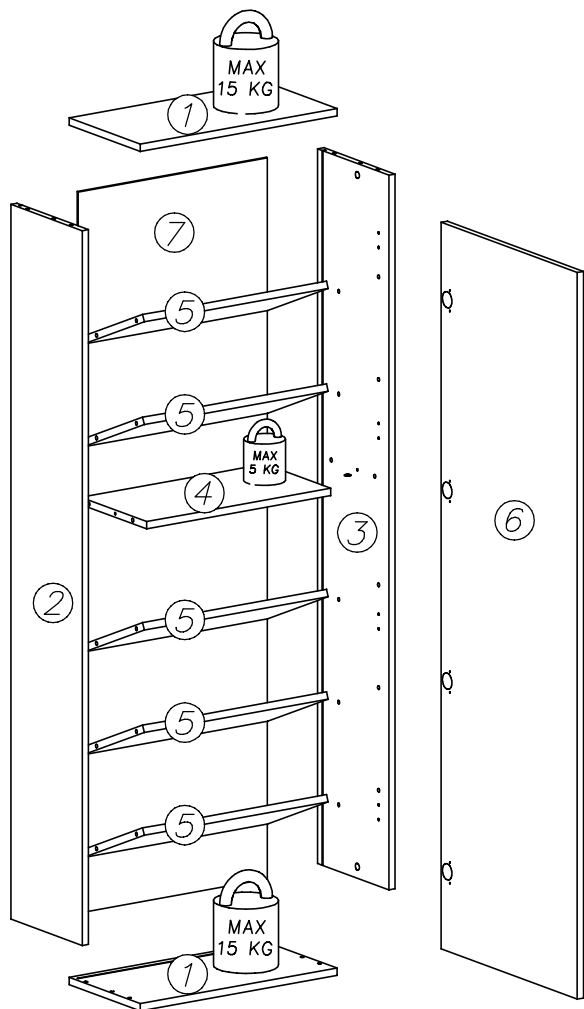
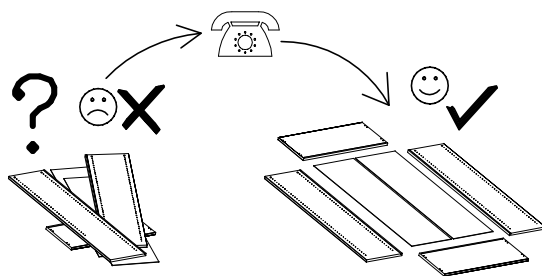
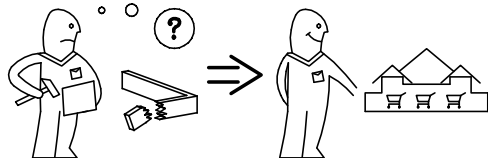
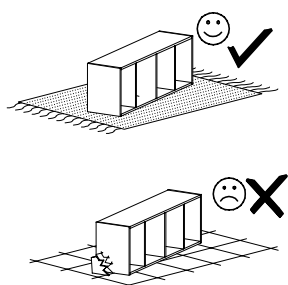


# SHOESCASE WITH MIRROR



1,5h





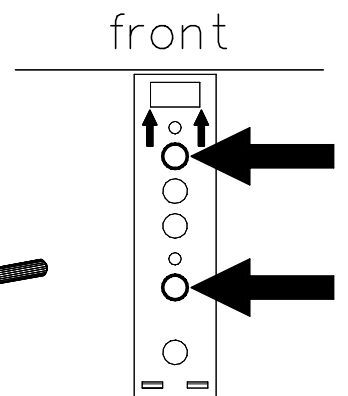
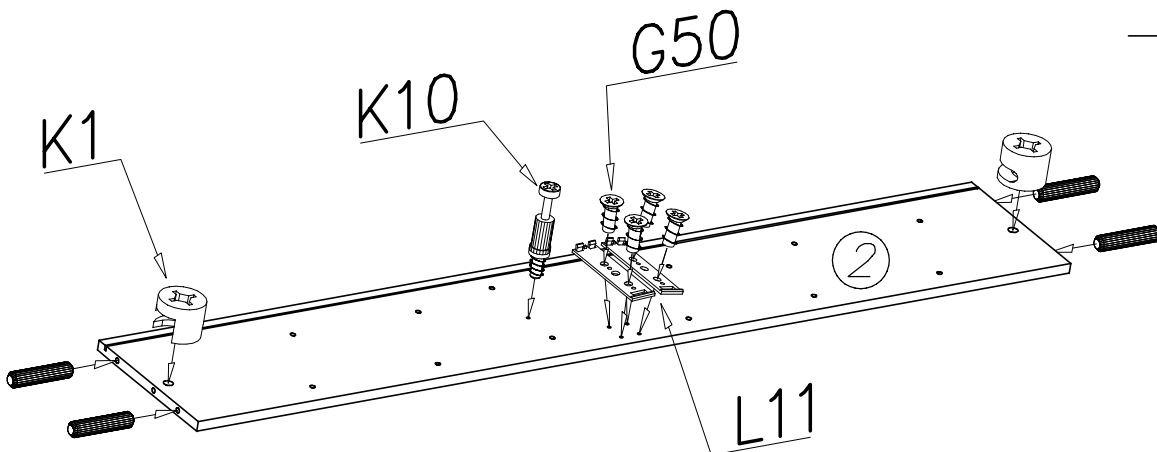
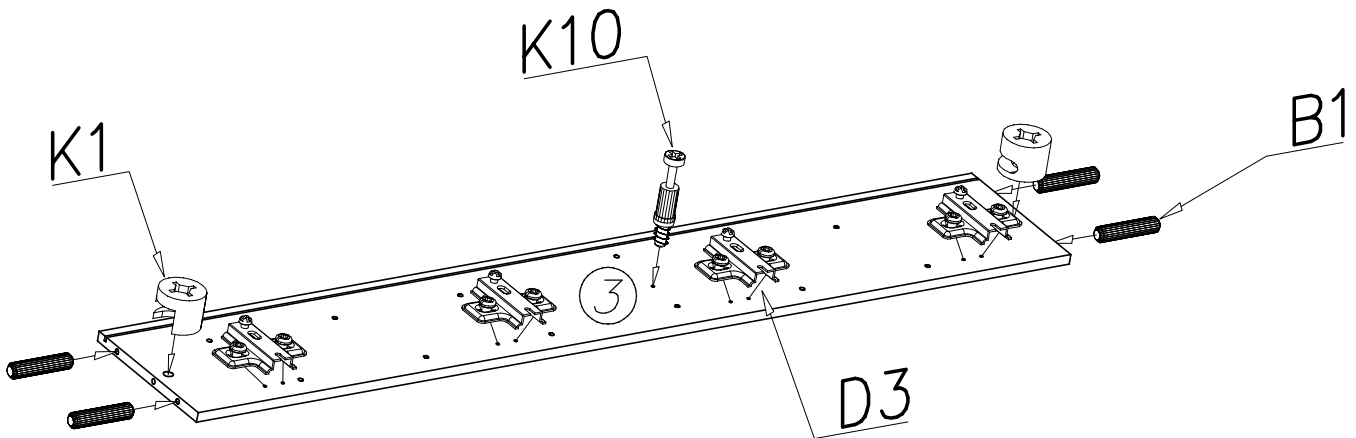
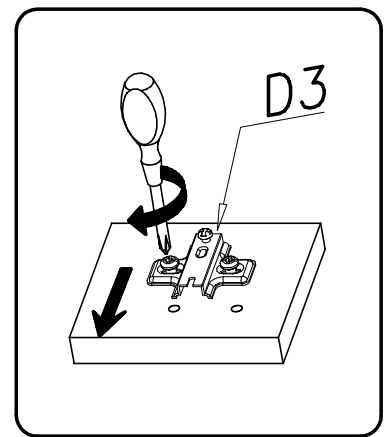
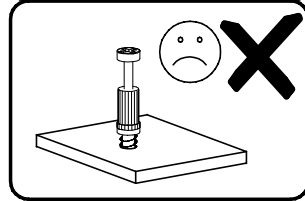
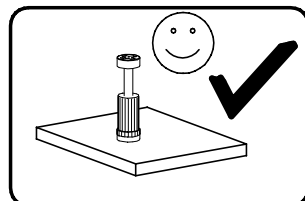
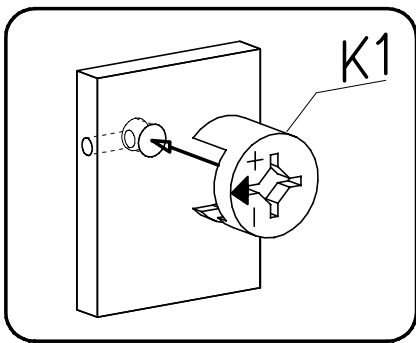
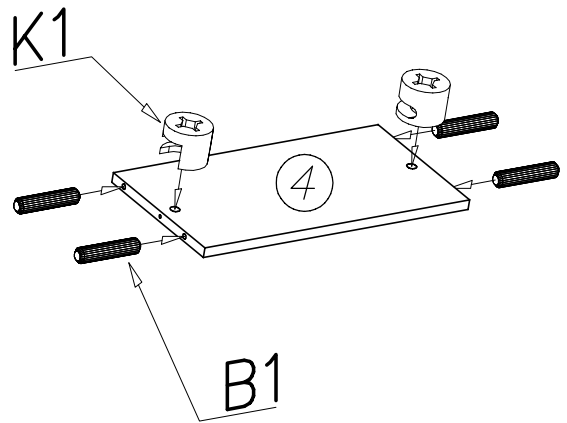
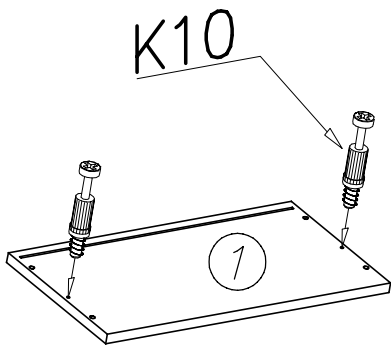
nr	L[mm]	B[mm]	T[mm]	Menge	Colli
1	506	262	16	2	1/2
2	1559	262	16	1	1/2
3	1559	262	16	1	1/2
4	473	242	16	1	1/2
5	473	242	16	5	1/2
6	1585	500	16	1	2/2
7	1571	485	3	1	2/2



<b>G28</b>  4x60 x...(1)	<b>G34</b>  3,5x16 x...(22)	<b>U6</b>  ø8x40 x...(1)	<b>M11</b>  x...(1)	<b>I1</b>  x...(10)
<b>P33</b>  x...(4)	<b>B1</b>  ø8x35 x...(32)	<b>L11</b>  x...(2)	<b>G50</b>  6x13 x...(4)	<b>W2</b>  x...(1)
<b>K10</b>  x...(6)	<b>K1</b>  ø15x12 x...(6)	<b>C3</b>  Z35PR x...(4)	<b>D3</b>  PZ35PR x...(4)	<b>I7</b>  ø18 x...(6)

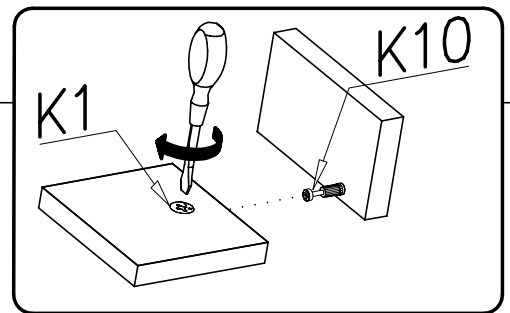
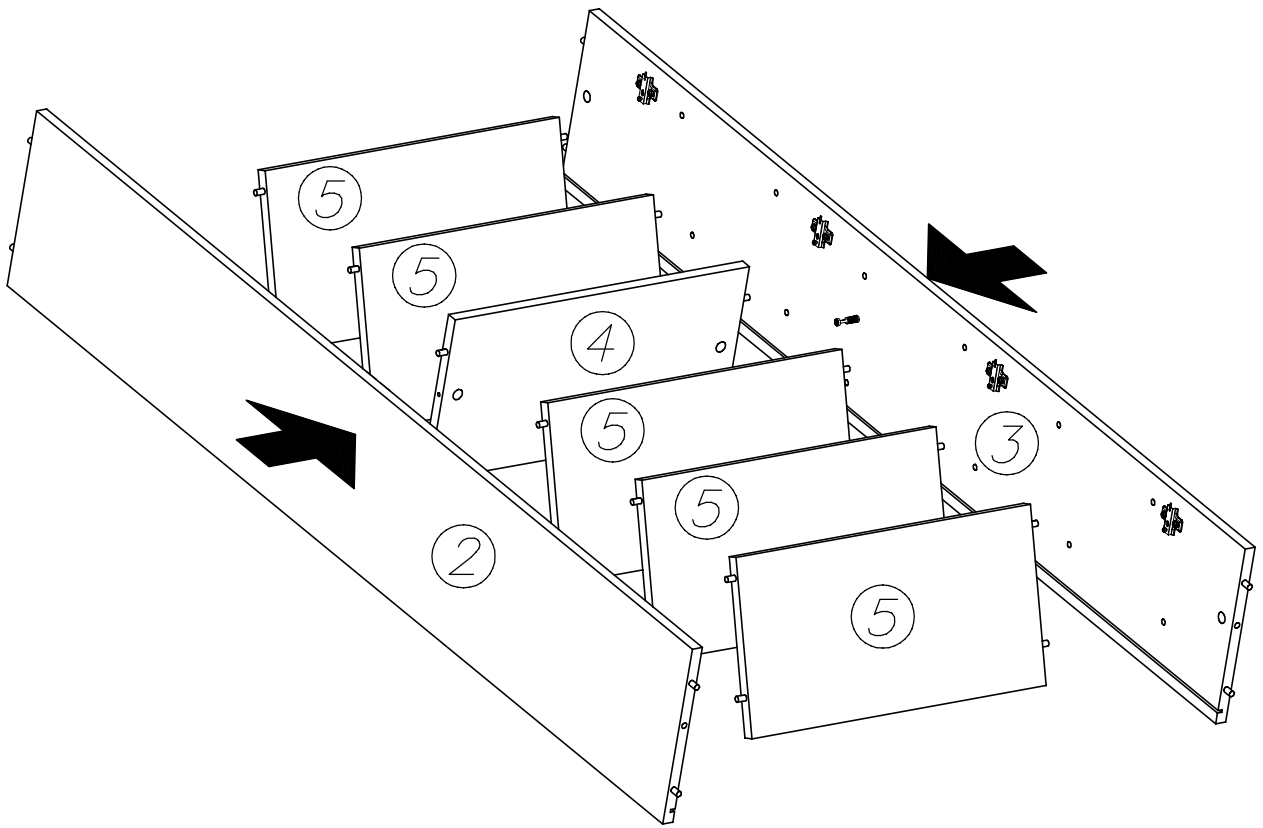


I

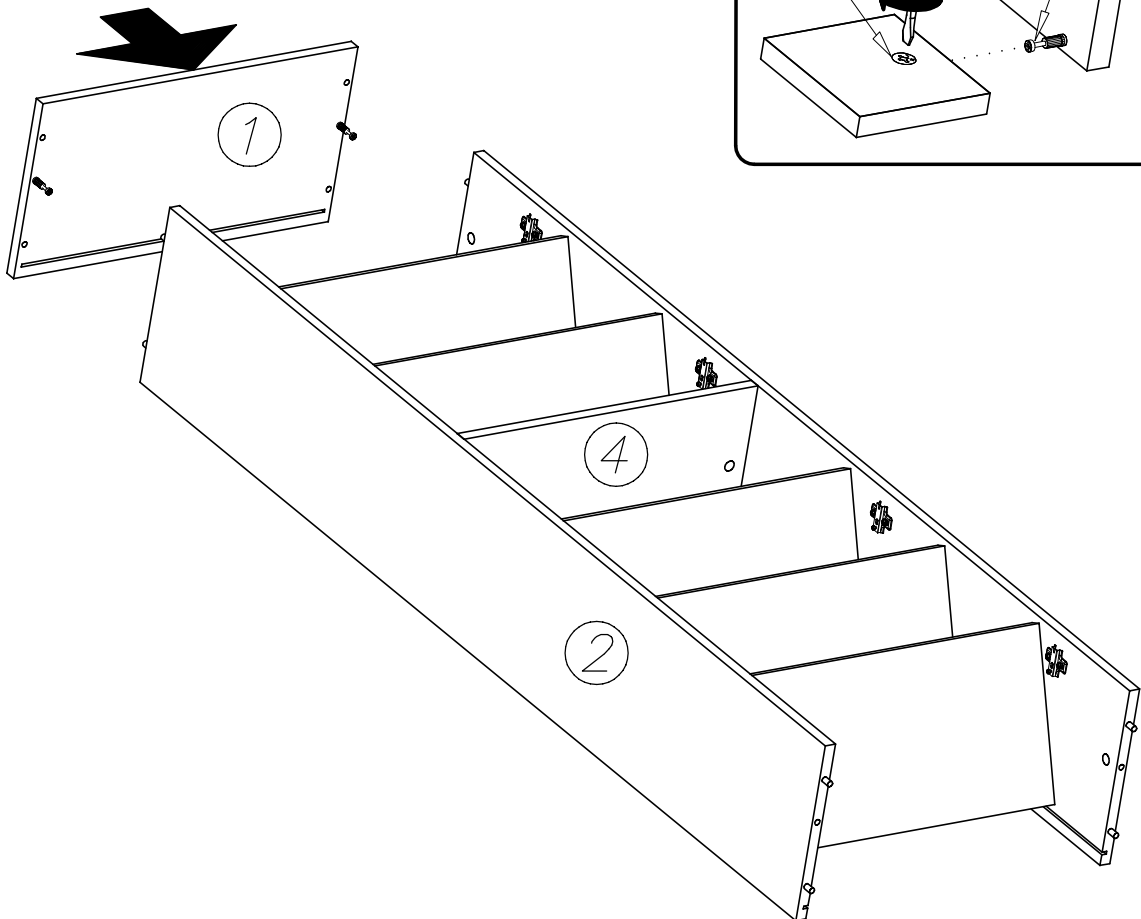


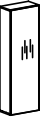


II

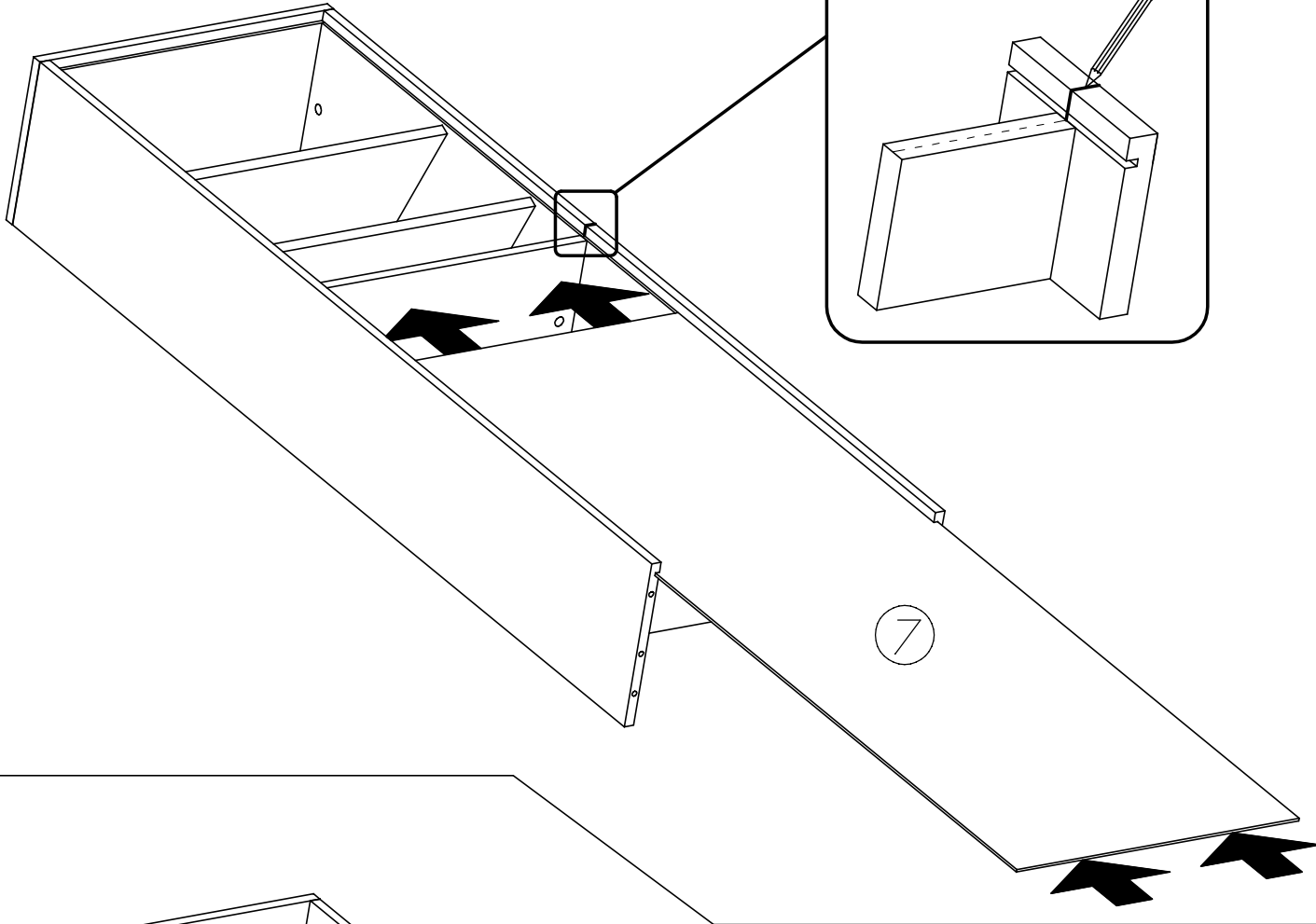


III

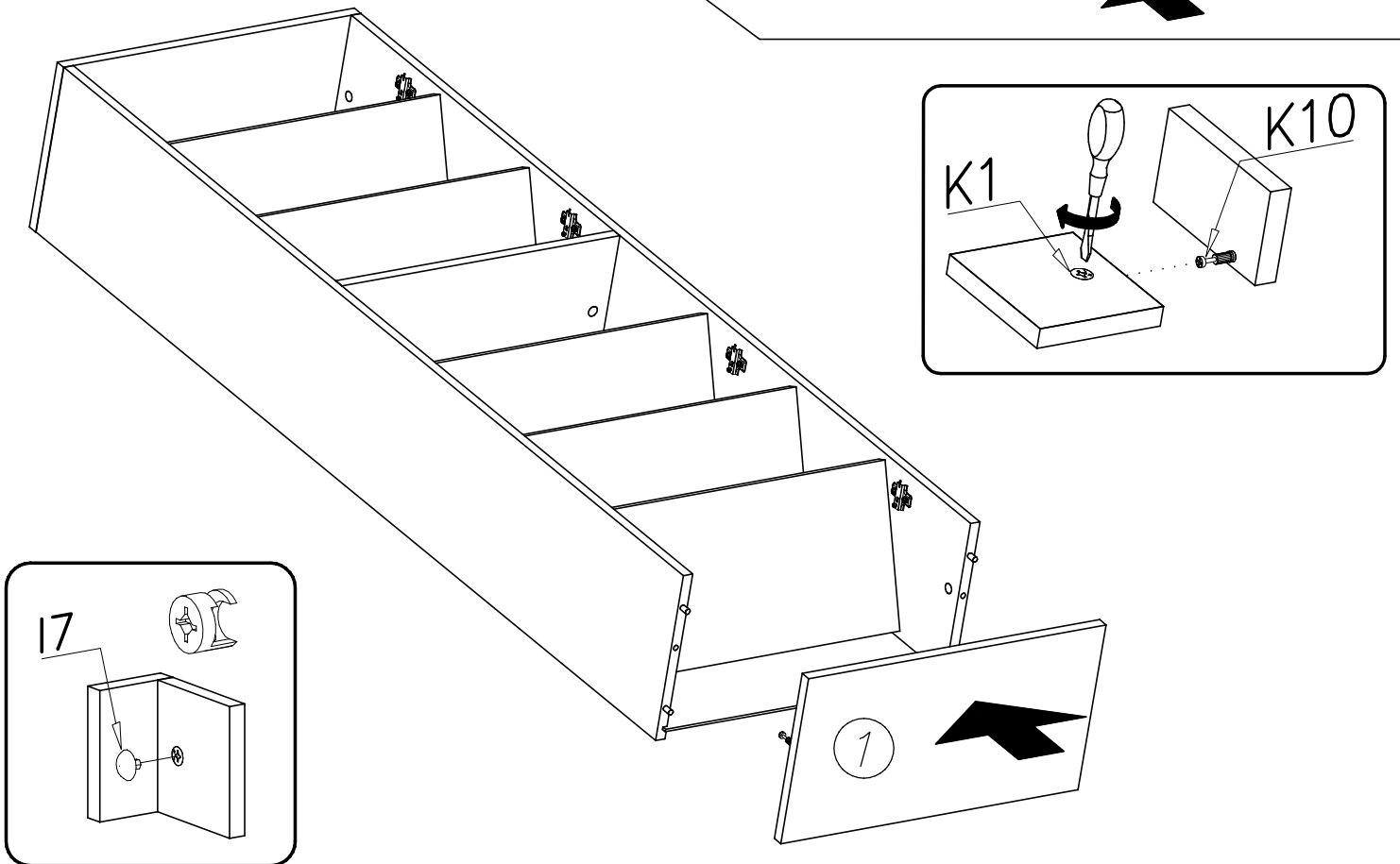




IV

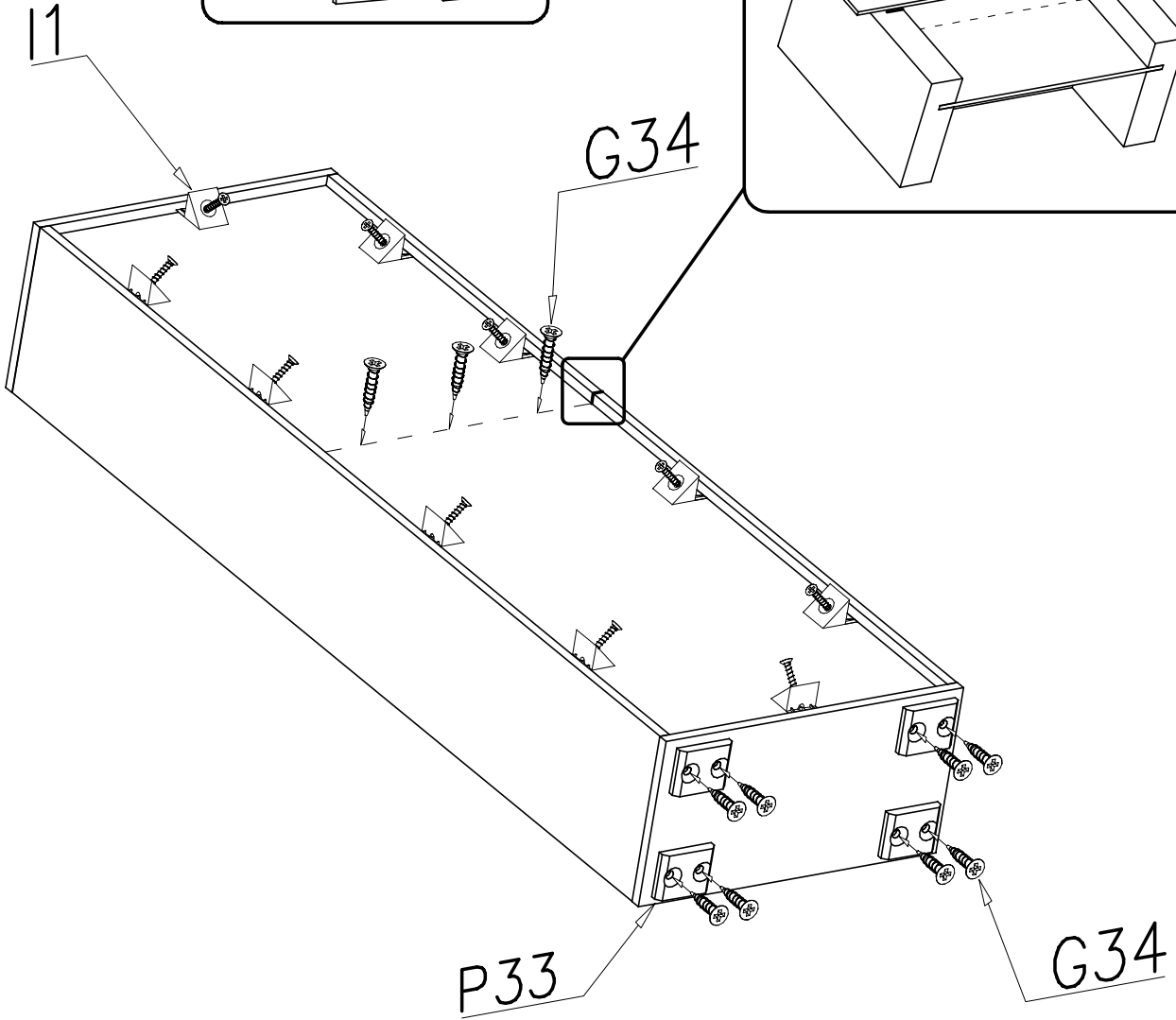
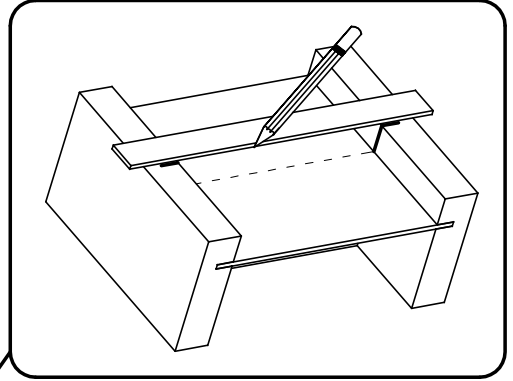
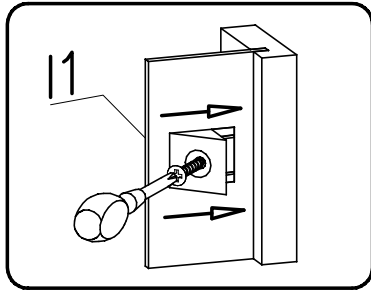


V

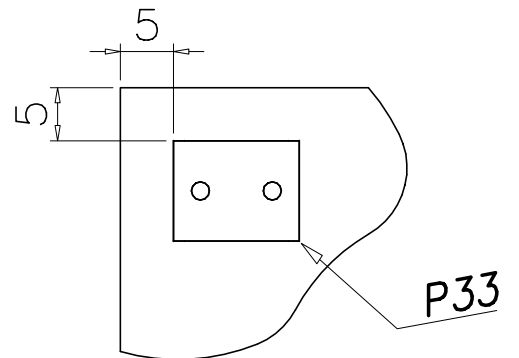
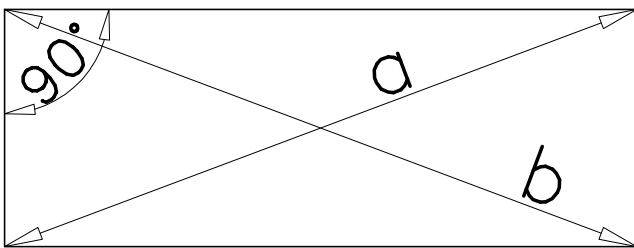


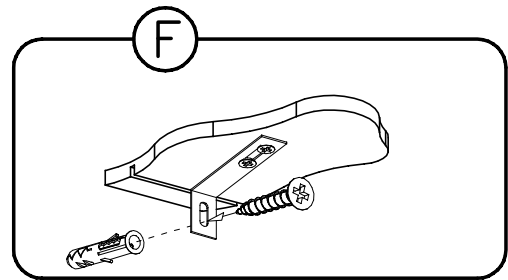
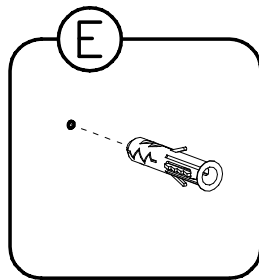
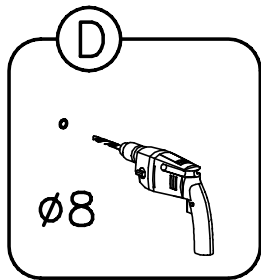
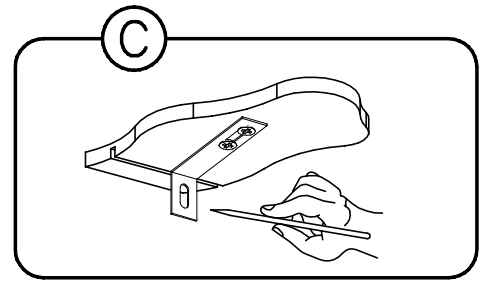
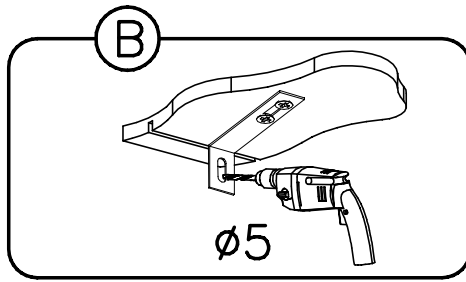
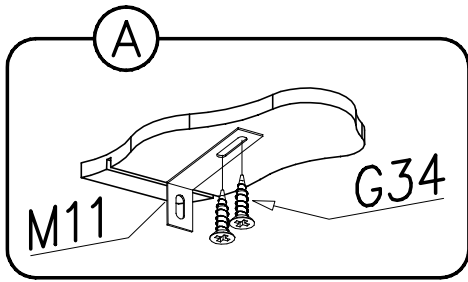


VI

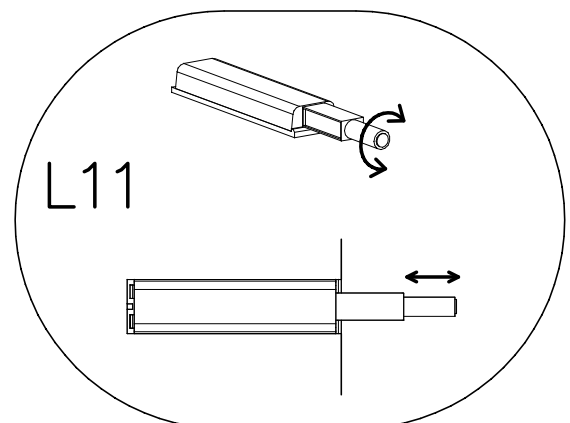
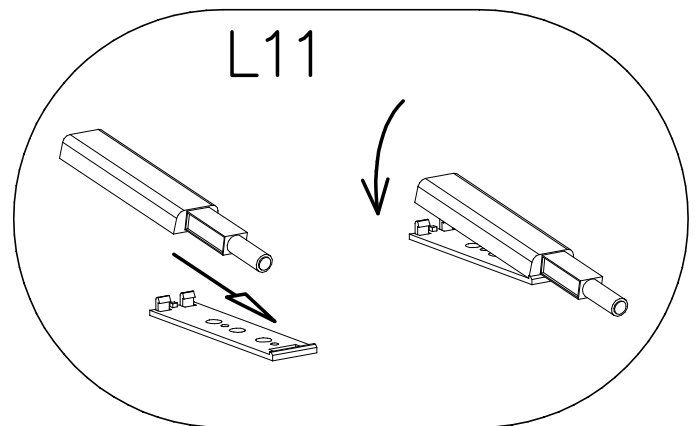
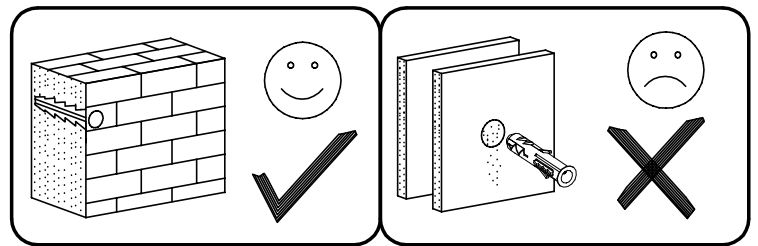
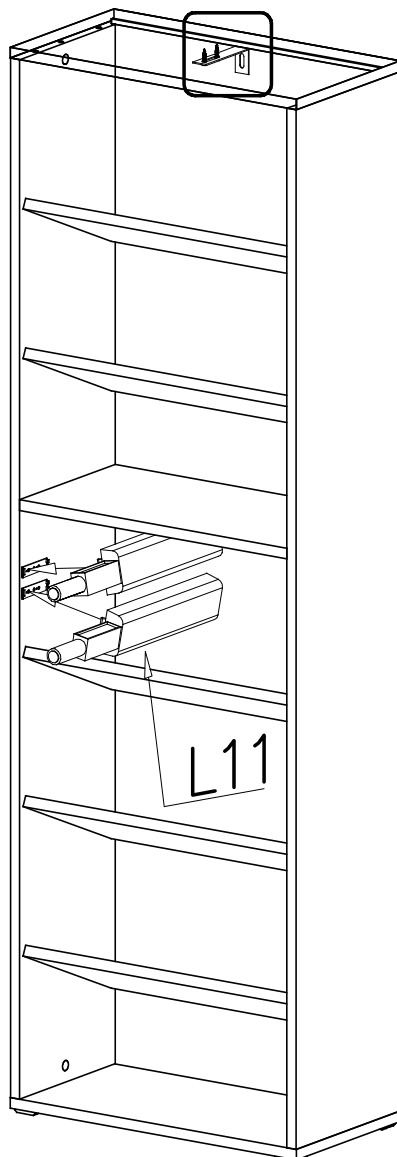


$a = b$



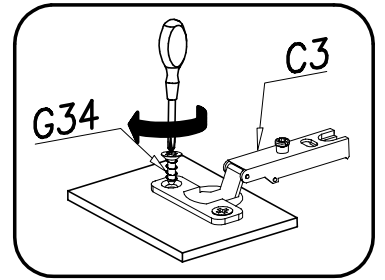
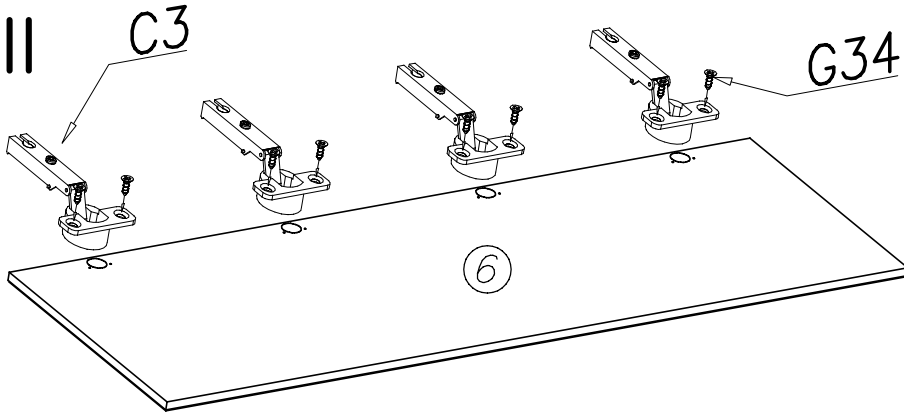


VII





VIII



IX

