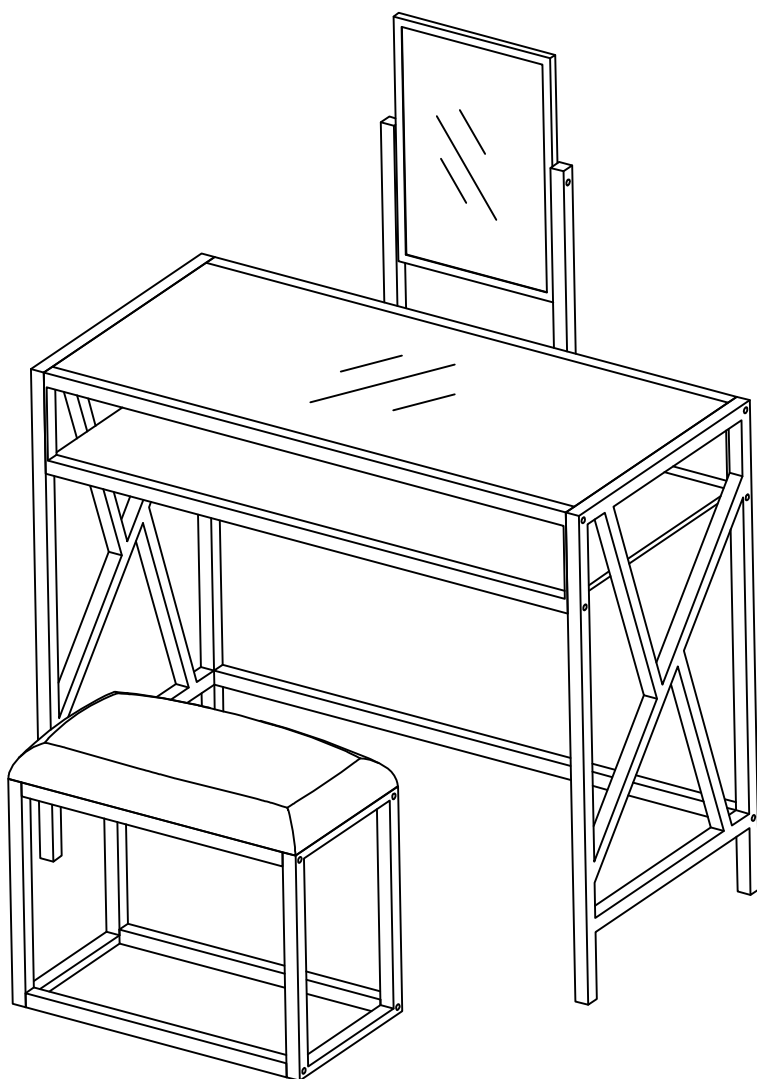


# ASSEMBLY INSTRUCTIONS

---



## TOOLS REQUIRED



Allen Wrench  
(Included)



2 - Persons  
Recommended

## ASSEMBLY RATING



EASY —————> DIFFICULT

The Assembly Rating is a 5-point system showing the level of effort needed to assemble a specific product.

Thank you for your purchase!

We hope you enjoy this new addition to your home for many years to come.

Our commitment to providing quality products does not simply end when you purchase our product. We fully stand behind our products from start to finish.



## CHECK BEFORE STARTING

### Are you missing anything?

Double-check all parts, hardware and accessories listed on Page 6 are accounted for.

### Check out our Quick Tips!

We recommend reviewing the pre-assembly handouts. Even experts need a refresher now and then!

### Should we send any replacements?

Are there any irregularities or flaws in the parts? We can send replacements!

### Prep Time!

Please review the assembly instructions and all diagrams prior to assembling. Arrange parts as recommended on Page 7 and group identical hardware together to make assembling easier.

# PRE ASSEMBLY INTRODUCTION

We understand building ready-to-assemble furniture can be a challenging experience for some. To help avoid confusion, we have provided some helpful tips that may speed up the process.



## Teamwork

ALWAYS have at least two people to help with transporting and assembling the product to avoid potential injury and/or damage.



## Suitable Location

Assembling near the area of the intended location is highly recommended.



## Sufficient Space

Make sure you have enough space to move around during the assembly.



## Avoid Scratches

Use cardboard, blankets or a carpeted area while assembling furniture to prevent scratches.



## Flat Surface

Make sure the furniture rests on a flat and level surface with each leg evenly touching the floor.

# ASSEMBLY AND CARE ADVICE



**FAILURE TO FOLLOW THE GUIDELINES BELOW MAY RESULT IN INJURY AND/OR PROPERTY DAMAGE.**



Position each part correctly and insert screws or bolts into their respective holes.



Turn clockwise to tighten and only tighten when step is completed or when instructed to do so.



Use the appropriate hand tools or power tools for assembly. Select steps, such as tightening screws and/or bolts, may require hand tools to avoid causing damage during assembly.



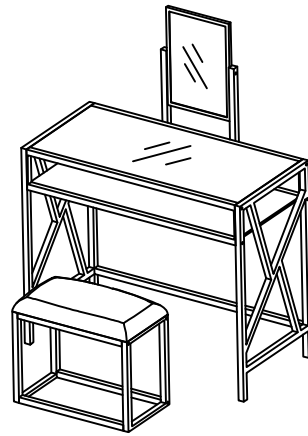
Save the instructions and store any supplied tools for later maintenance.



After two weeks, check and tighten any loose hardware and repeat again every six months thereafter.

**IT IS THE USER'S RESPONSIBILITY TO MAINTAIN THE FURNITURE. THE HARDWARE MAY LOOSEN OVER TIME AND MAY CAUSE THE FURNITURE TO BE WOBBLY AND UNABLE TO SUPPORT ITS INTENDED WEIGHT CAPACITY. THIS MAY LEAD TO COLLAPSE AND MAY CAUSE SERIOUS INJURY.**

# VANITY SET

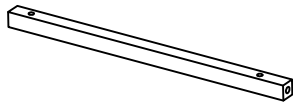


- Please keep instructions for future reference.
- Check the quantity and irregularity of parts and hardware before you start.

Due to the size and/or weight of this product, it is highly recommended that the assembly should be done near the area of its intended location. Make sure you have enough space to move around during the assembly. Always have at least two people to help with transporting and assembling the product to avoid any potential injury and/or damage.

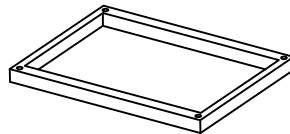
## PARTS

#1 2pcs



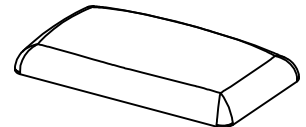
Stool Stretcher (2 HOLD )

#2 2pcs



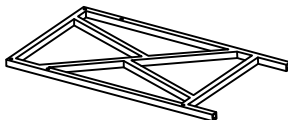
Stool Side Panel

#3 1pc



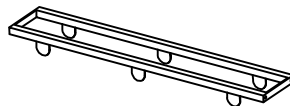
Cushion

#4 2pcs



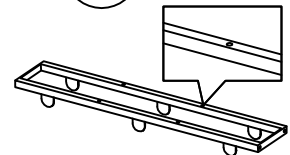
Side Panel

#5 1pc



Front Frame

#6 1pc



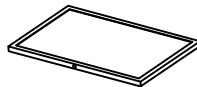
Black Fraem

#7 2pcs



Mirror Stretcher

#8 1pc



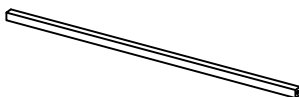
Mirror

#9 2pcs



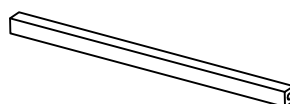
Glass

#10 1pc



Bottom Stretcher

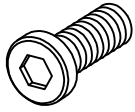
#11 2pcs



Stool Bottom Stretcher

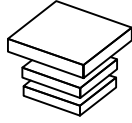
# HARDWARE

#A 22pcs



Bolt 1/4" x1-1/2"

#B 8pcs



Foot Cap

#C 18pcs



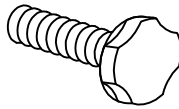
Bolt Cap

#D 12pcs



Glass Pad

#E 2pcs



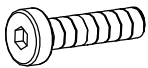
Bolt

#F 2pcs



Nut

#G 4pcs



Bolt 1/4" x1-3/4"

#H 1pc



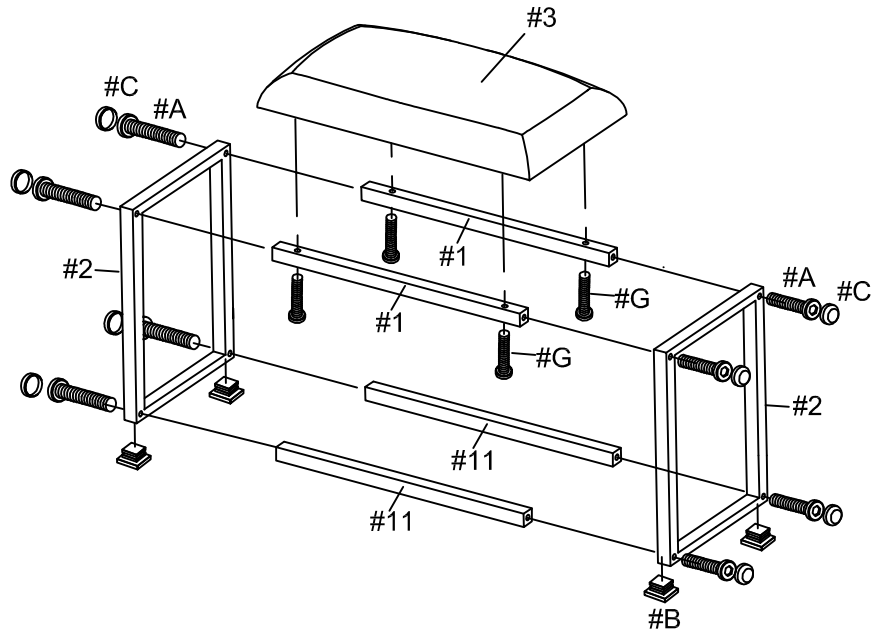
Allen Wrench

# ASSEMBLY INSTRUCTIONS

## 1

- Part #1 x2pcs
- Part #2 x2pcs
- Part #3 x1pc
- Part #11 x2pcs
- Hardware #A x8pcs
- Hardware #B x4pcs
- Hardware #C x8pcs
- Hardware #G x4pcs

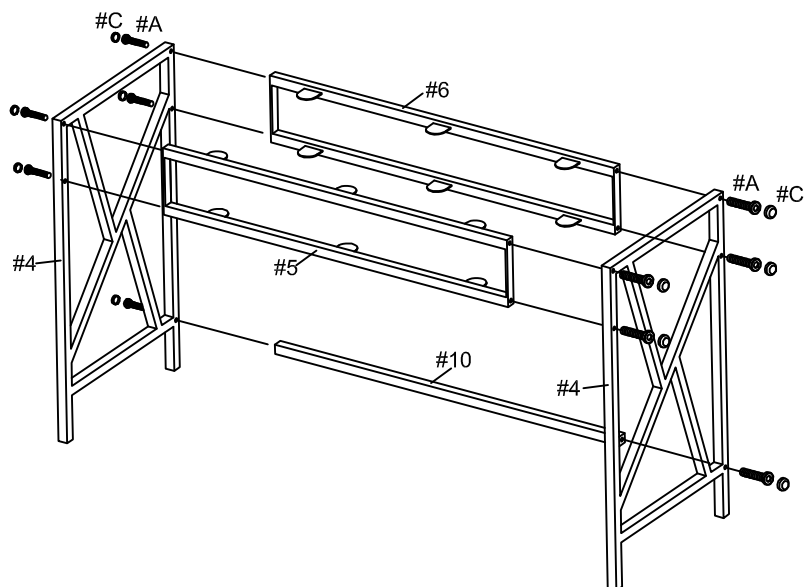
- 1) Align the stool stretchers (#1) to the holes of the stool side panels (#2). Make sure the stool stretchers (#1) with the holes are faced and placed upwards. Secure with bolts (#A)
- 2) Align bottom stretchers (#11) to the holes of the side panels (#2), then secure with bolts (#A).
- 3) Align cushion (#3) to the holes of the stool stretchers (#1). Secure with bolts (#G).
- 4) Fully tighten the bolts (#A,G), then attach bolt caps (#C) to each bolt holes. Attach foot caps (#B) to the bottom of the stool side panels (#2).



## 2

- Part #4 x2pcs
- Part #5 x1pc
- Part #6 x1pc
- Part #10 x1pc
- Hardware #A x10pcs
- Hardware #C x10pcs

DO NOT FULLY TIGHTEN BOLTS UNTIL THIS STEP IS PUT TOGETHER.



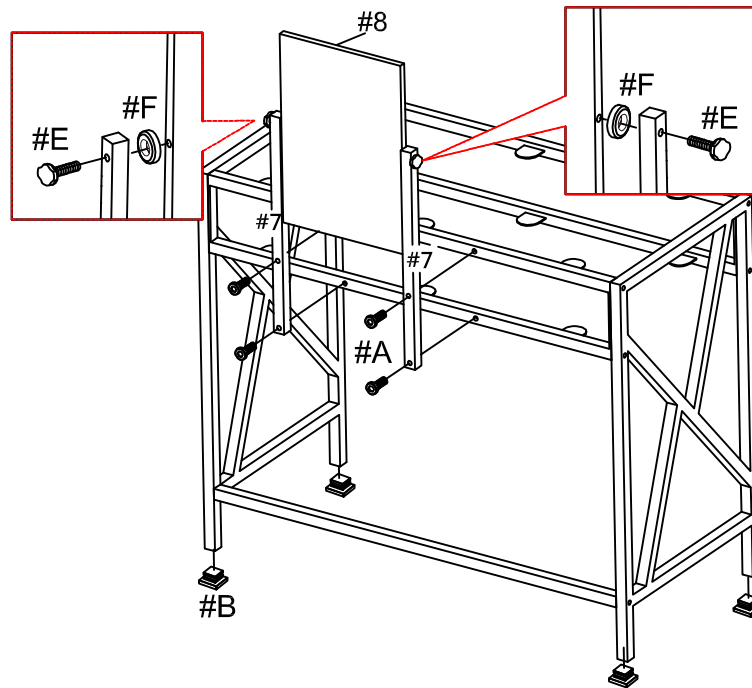
- 1) Align front frame (#5) to the front holes of the side panels (#4), then secure with bolts (#A).
- 2) Align back frame (#6) to the back top holes of the side panels (#4), then secure with bolts (#A).
- 3) Align bottom stretchers (#10) to the bottom back holes of the side panels (#4), then secure with bolts (#A).
- 4) Fully tighten bolts (#A), then attach bolt caps (#C) to each bolt holes.

# ASSEMBLY INSTRUCTIONS

## 3

DO NOT FULLY TIGHTEN BOLTS UNTIL THIS STEP IS DONE.

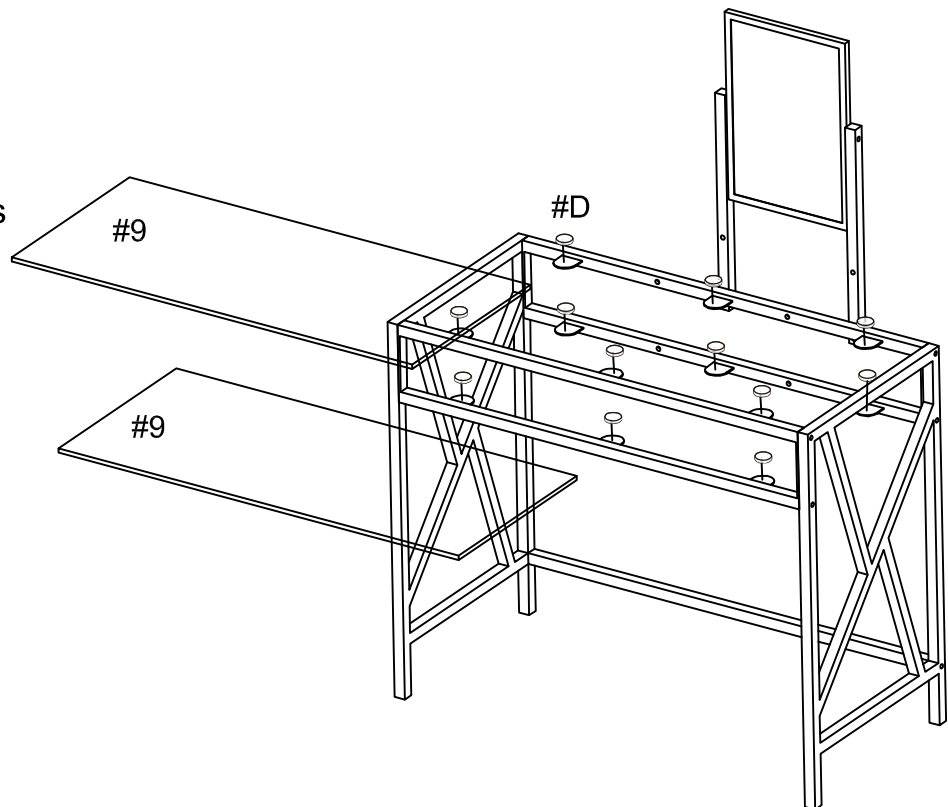
- Part (#7) x2pcs
- Part (#8) x1pc
- Hardware (#A) x4pcs
- Hardware (#B) x4pcs
- Hardware (#E) x2pcs
- Hardware (#F) x2pcs



- 1) Align mirror stretchers (#7) to the holes of the mirror (#8). Make sure to place the nuts (#F) in-between the holes of the mirror (#8) and mirror stretchers (#7), then secure with bolts (#E).
- 2) Align mirror stretchers (#7) to the holes of the back frame (#6), then secure with bolts (#A).
- 3) Fully tighten all the bolts (#A,E), then attach the foot caps (#B) to the bottom of the side panels (#4).

## 4

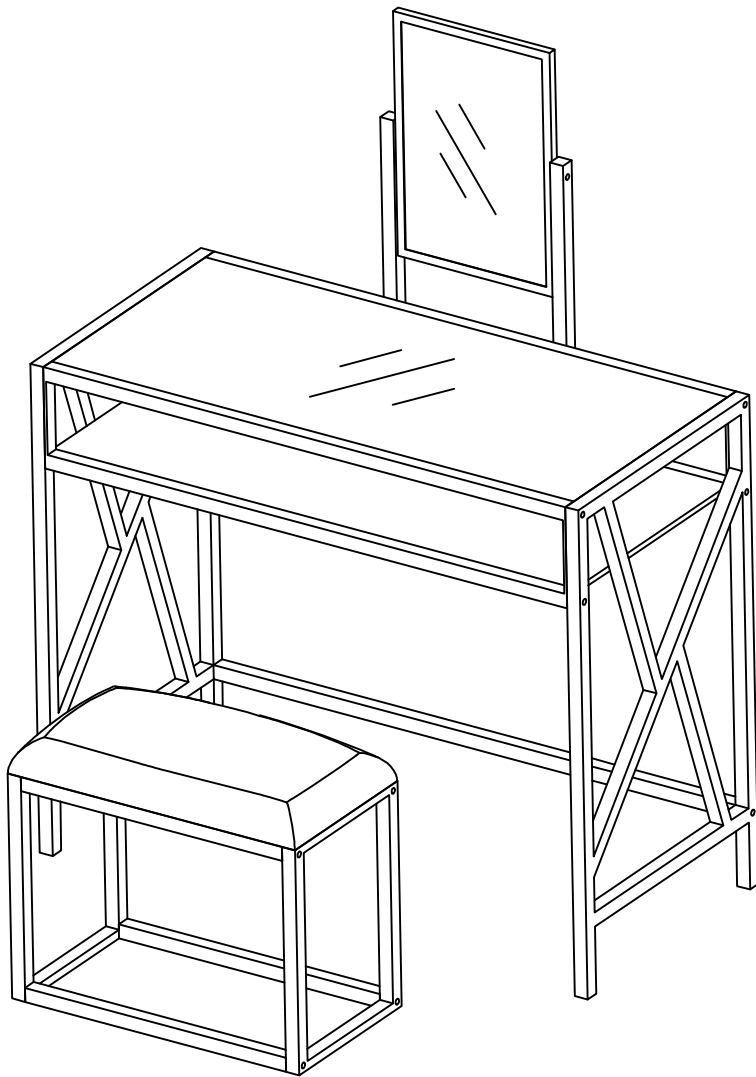
- Part (#9) x2pcs
- Hardware (#D) x12pcs



Attach the glass pads (#D) to the desk top and then carefully place the glass (#9) to the desk.

# ASSEMBLY INSTRUCTIONS

5



## ASSEMBLY COMPLETED



Please ensure the furniture rests on an even and flat surface. If the product wobbles or feels loose, double-check all bolts and/or screws are properly tightened and secured.



### Keep this handy!

Please retain this instruction manual and any order-related information for future reference.