

STORAGE CABINET

User Manual

INTRODUCTION

Thank you for choosing the kitchen pantry cabinet. Please read this user manual carefully and keep it for future reference. If you need any assistance, please contact us by email with your order number and details.

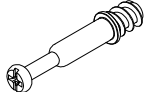

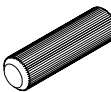

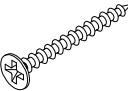
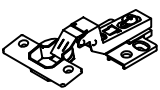
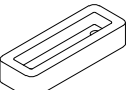
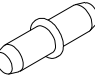



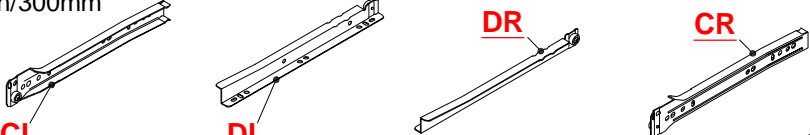

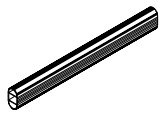

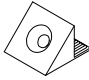

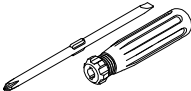





PACKAGE CONTENTS

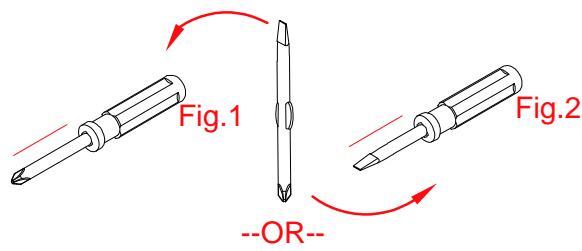
- 1 x Storage cabinet
- 1 x Pack of Accessories
- 1 x User Manual

PRODUCT CARE

- Please follow the instruction to assemble this item correctly.
- Don't make the screws be too loose or too tight.
- Please put the screws into the holes' position just as shown in the arrows of the image, and then clockwise rotate 90° or 180°
- More product parts, it is recommended that two people install
- The fittings pack contains small accessories that should be kept away from small children.

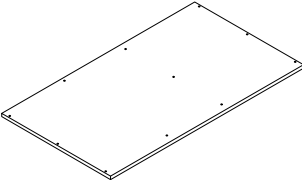
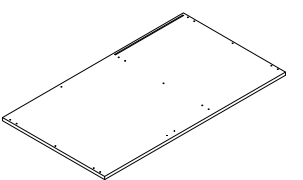
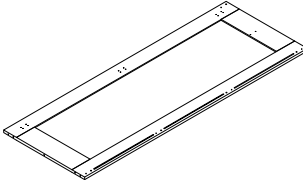
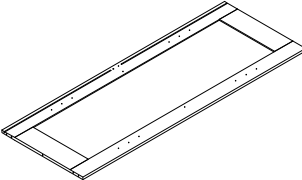
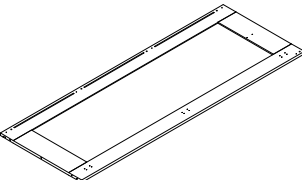
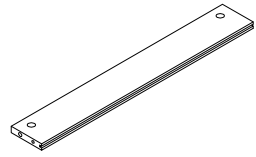
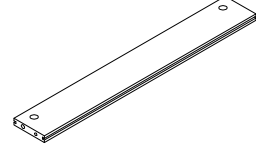
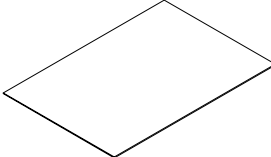
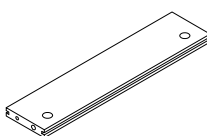
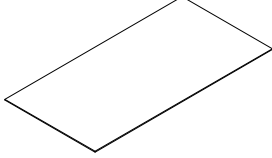
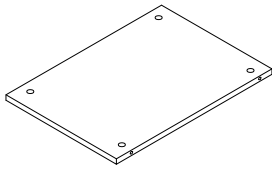
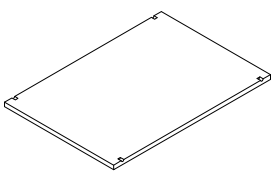
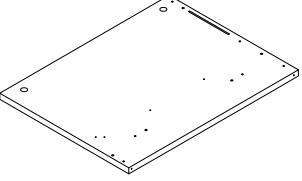
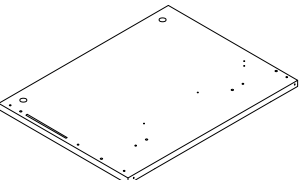
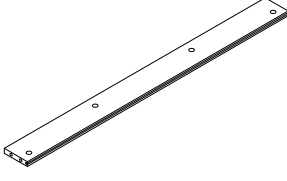
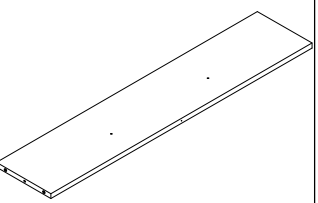
HARDWARE SUPPLIED

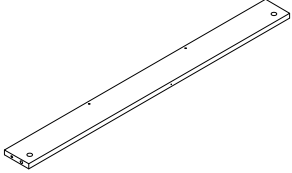
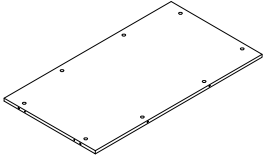
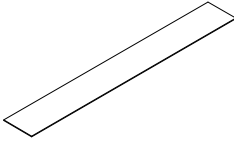
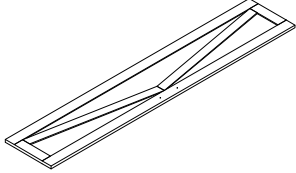
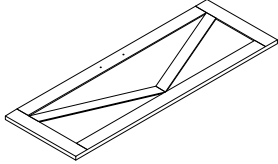

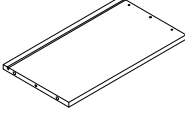
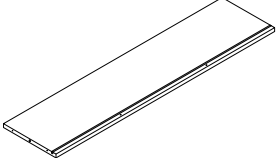
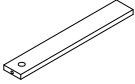
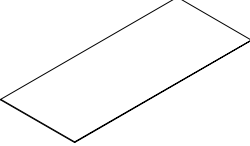
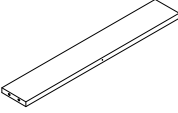
<p>A. 6x35mm</p>  <p>46 PCS</p>	<p>B. 15x9.8mm</p>  <p>46 PCS</p>	<p>C. Ø6x30mm</p>  <p>44 PCS</p>	<p>D. M3.5x14mm</p>  <p>58 PCS</p>	<p>E. #8*Φ4*40mm</p>  <p>30 PCS</p>
<p>F.</p>  <p>6 PCS</p>	<p>G.</p>  <p>1 PC</p>	<p>H. Φ5*7*17mm</p>  <p>9 PCS</p>	<p>I. 3 PCS I.1  3 PCS I.2  M4*16mm.6 PCS</p>	<p>M.</p>  <p>2 PCS</p>
<p>K. 12inch/300mm</p>  <p>CL DL DR CR</p> <p>1 SET</p>				<p>L. Φ21*0.4mm</p>  <p>46 PCS</p>
<p>N.</p>  <p>1 PC</p>	<p>O. O.1  O.1 32 PCS O.2 </p>	<p>P. Φ13*18*4mm</p>  <p>6 PCS</p>	<p>S. 140mm</p>  <p>1 PC</p>	
<p>Q.</p> <p>Q1  x2pcs</p> <p>Q2  x4pcs</p> <p>Q3  x2pcs</p> <p>Q4  x2pcs</p> <p>Q5  x2pcs</p>				



PARTS LIST

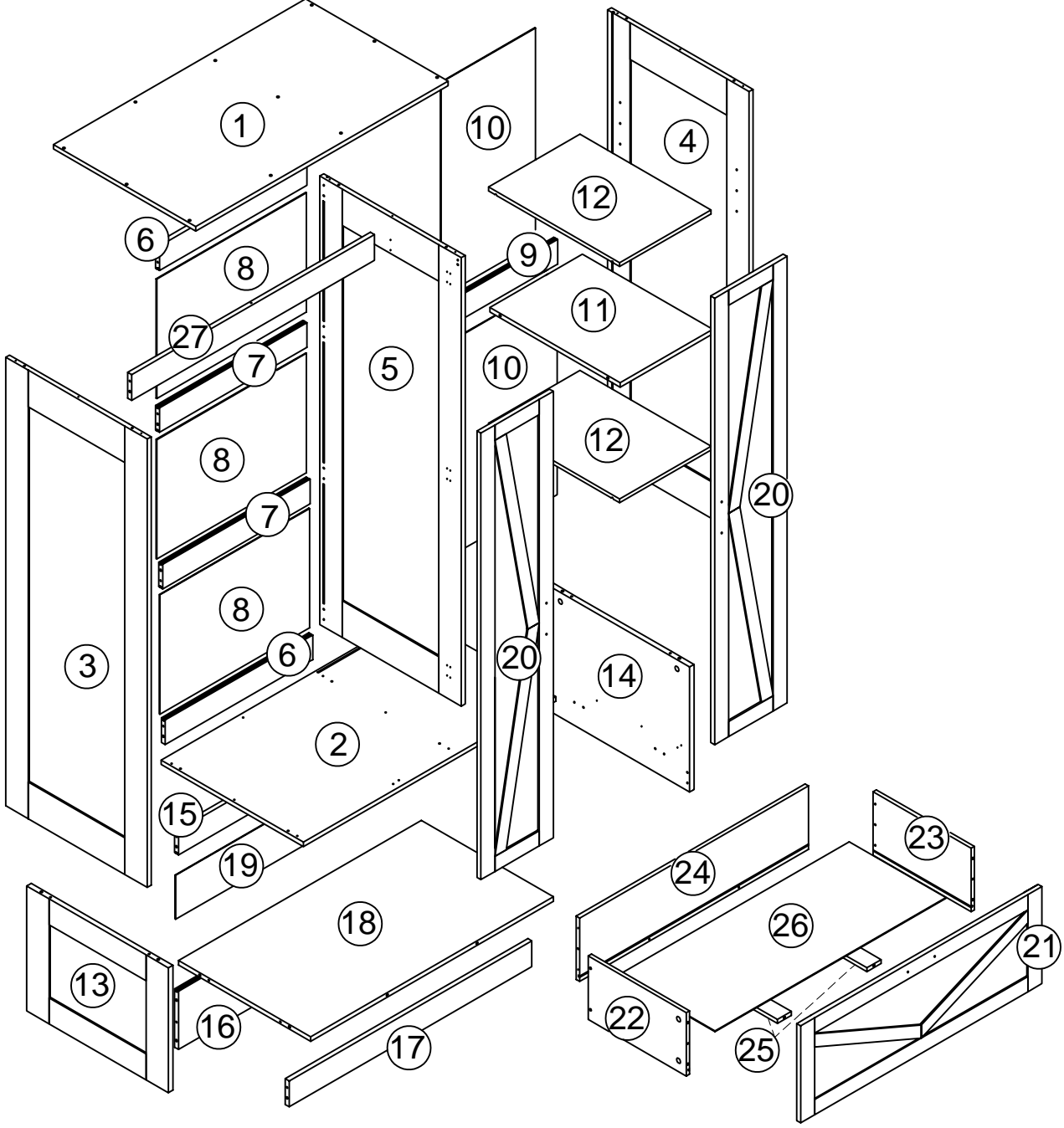
Unit: (mm)

① 900*508*14  1PC	② 900*508*14  1PC	③ 1386*505*14  1PC	④ 1386*505*14  1PC
⑤ 1386*505*14  1PC	⑥ 526*76*14  2PCS	⑦ 526*76*14  2PCS	⑧ 534*369*2.4  3PCS
⑨ 330*76*14  1PC	⑩ 663*337*2.4  2PCS	⑪ 330*465*12  1PC	⑫ 326*467*12  2PCS
⑬ 386*506*16  1PC	⑭ 386*506*16  1PC	⑮ 866*76*14  1PC	⑯ 866*196*14  1PC


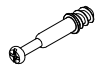
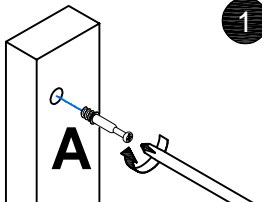
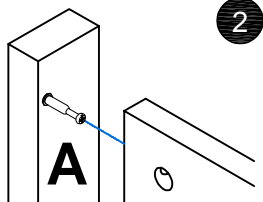
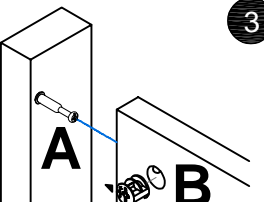
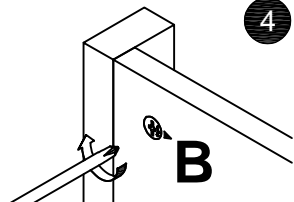
<p>①⑦ 866*80*14</p>  <p>1PC</p>	<p>①⑧ 866*472*14</p>  <p>1PC</p>	<p>①⑨ 874*122*2.4</p>  <p>1PC</p>	<p>①⑩ 1380*258.5*14</p>  <p>2PCS</p>
<p>①⑪ 861*300*14</p>  <p>1PC</p>	<p>①⑫ 350*196*12</p>  <p>1PC</p>	<p>①⑬ 350*196*12</p>  <p>1PC</p>	<p>①⑭ 816.5*196*12</p>  <p>1PC</p>
<p>①⑮ 336*50*12</p>  <p>2PCS</p>	<p>①⑯ 824.5*344*2.4</p>  <p>1PC</p>	<p>①⑰ 526*50*14</p>  <p>1PC</p>	

PANEL LAYOUT

Top

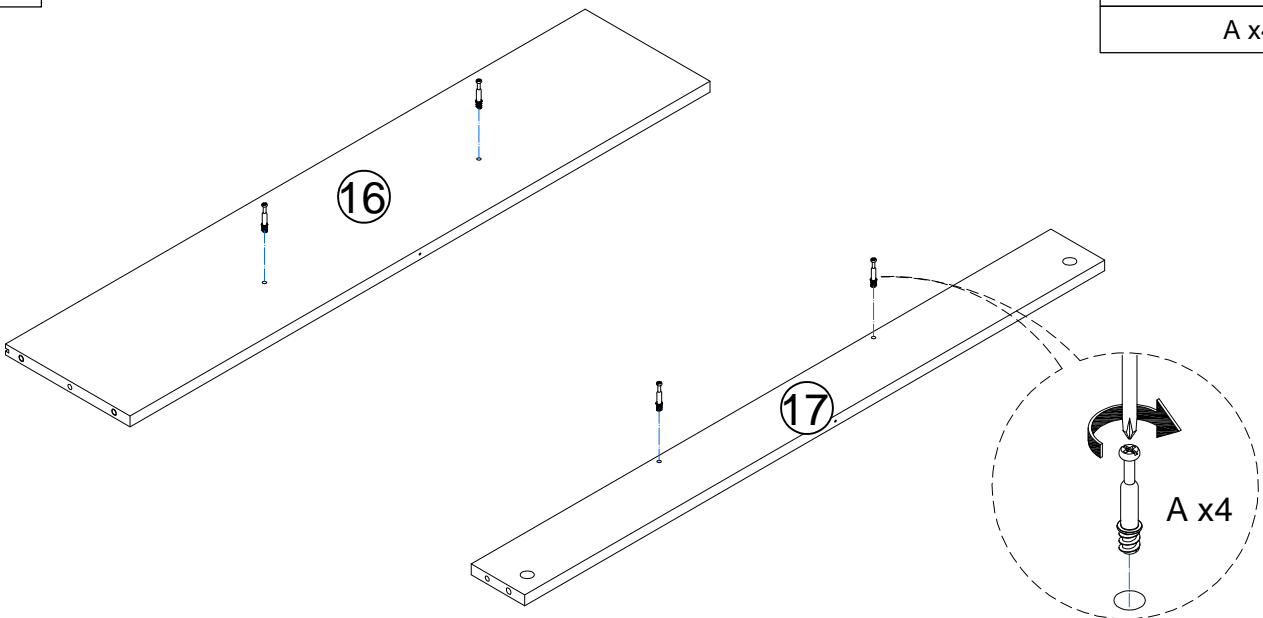


Bottom

HOW TO  Cam lock  Cam bolt	 1	 2	 3	 4
	1. Screw Cam Bolt into panel	2. Insert Cam Bolt into bolt hole of joining panel.	3. Insert Cam Lock with arrow facing bolt.	4. Gently turn Cam Lock 180° clockwise to lock into position.

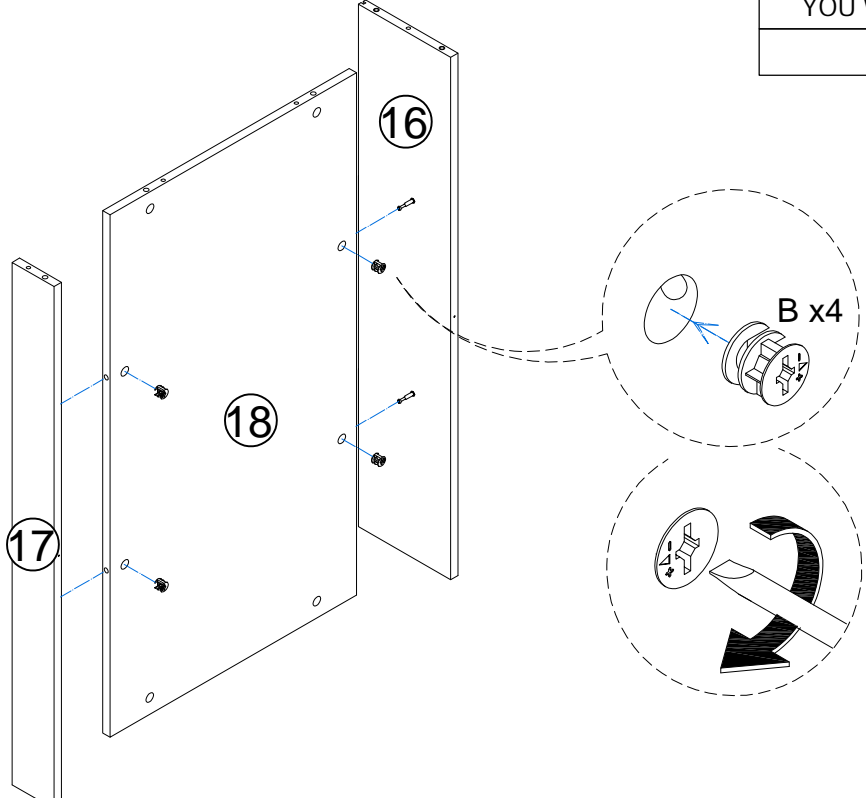
1



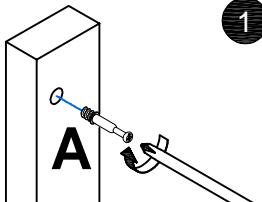
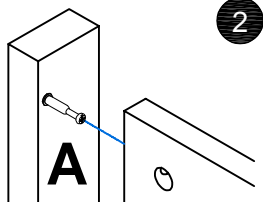
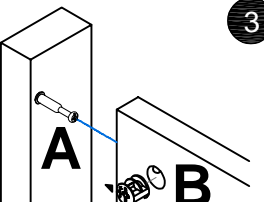
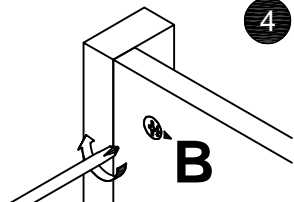
YOU WILL NEED
 A x4

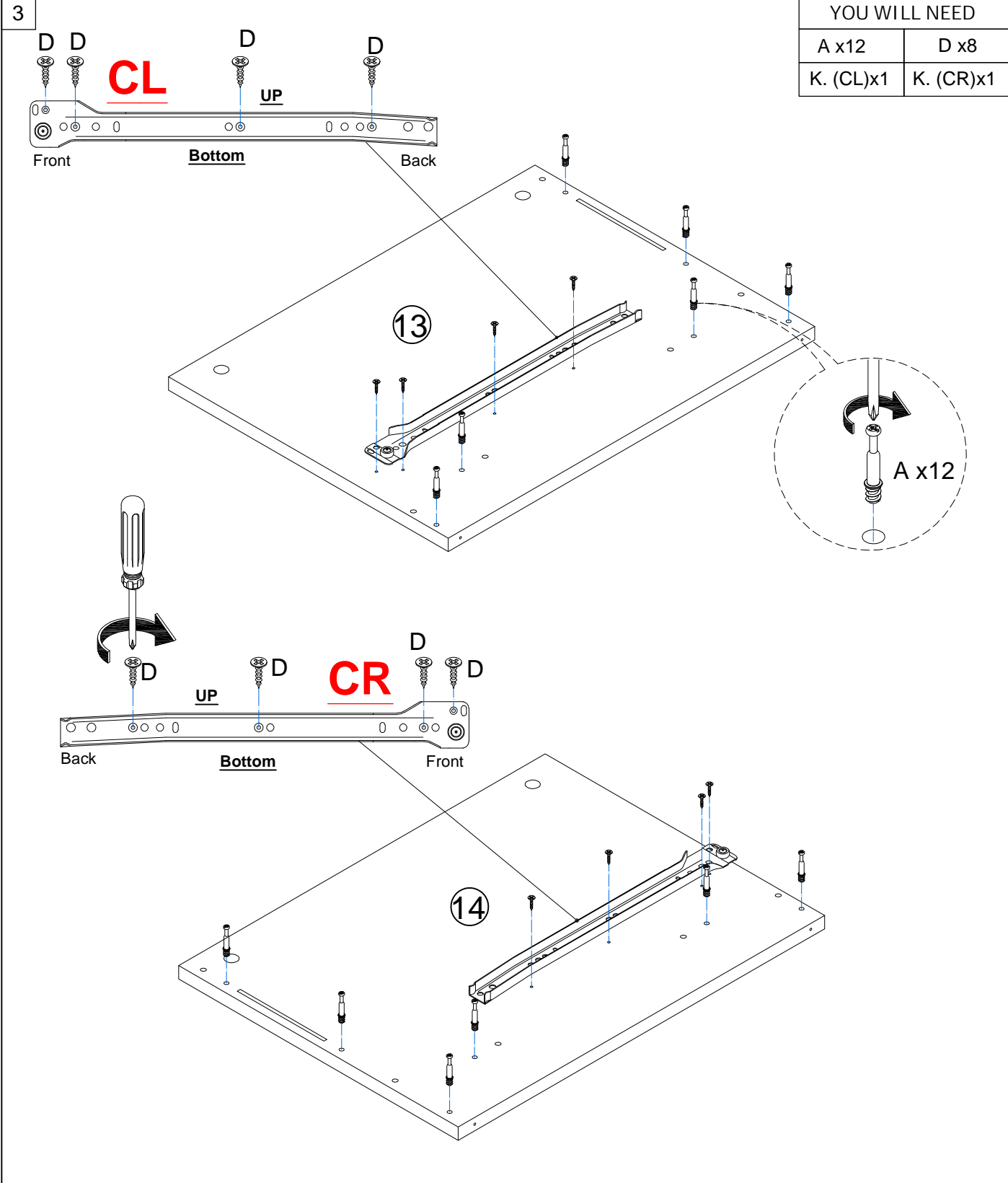



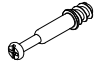
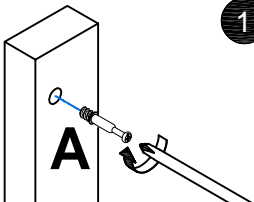
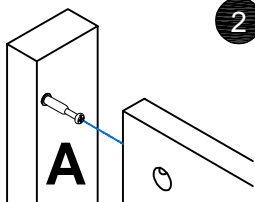
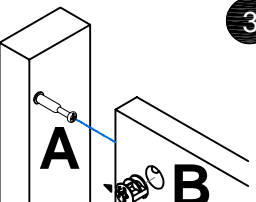
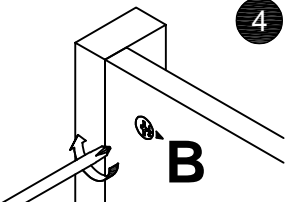
2

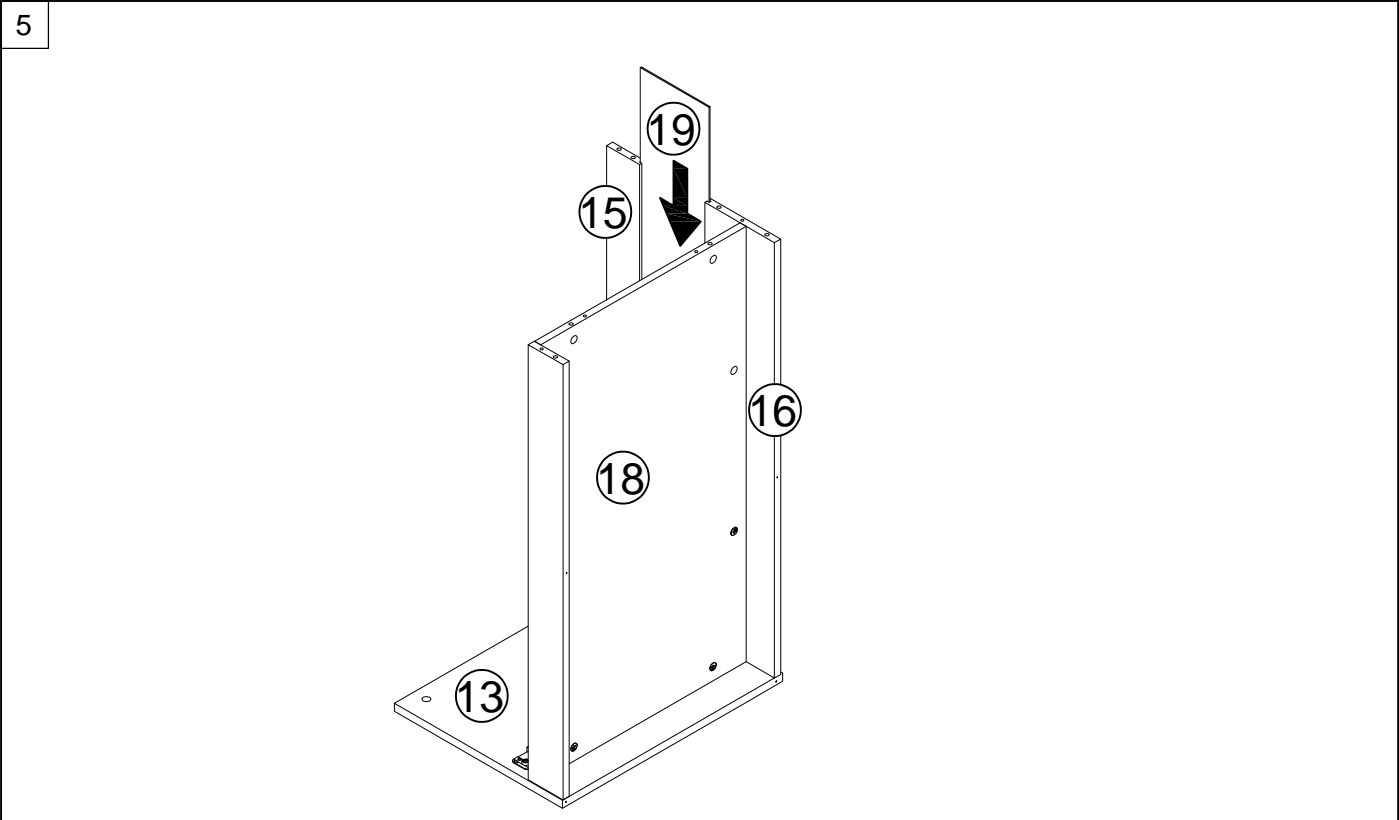
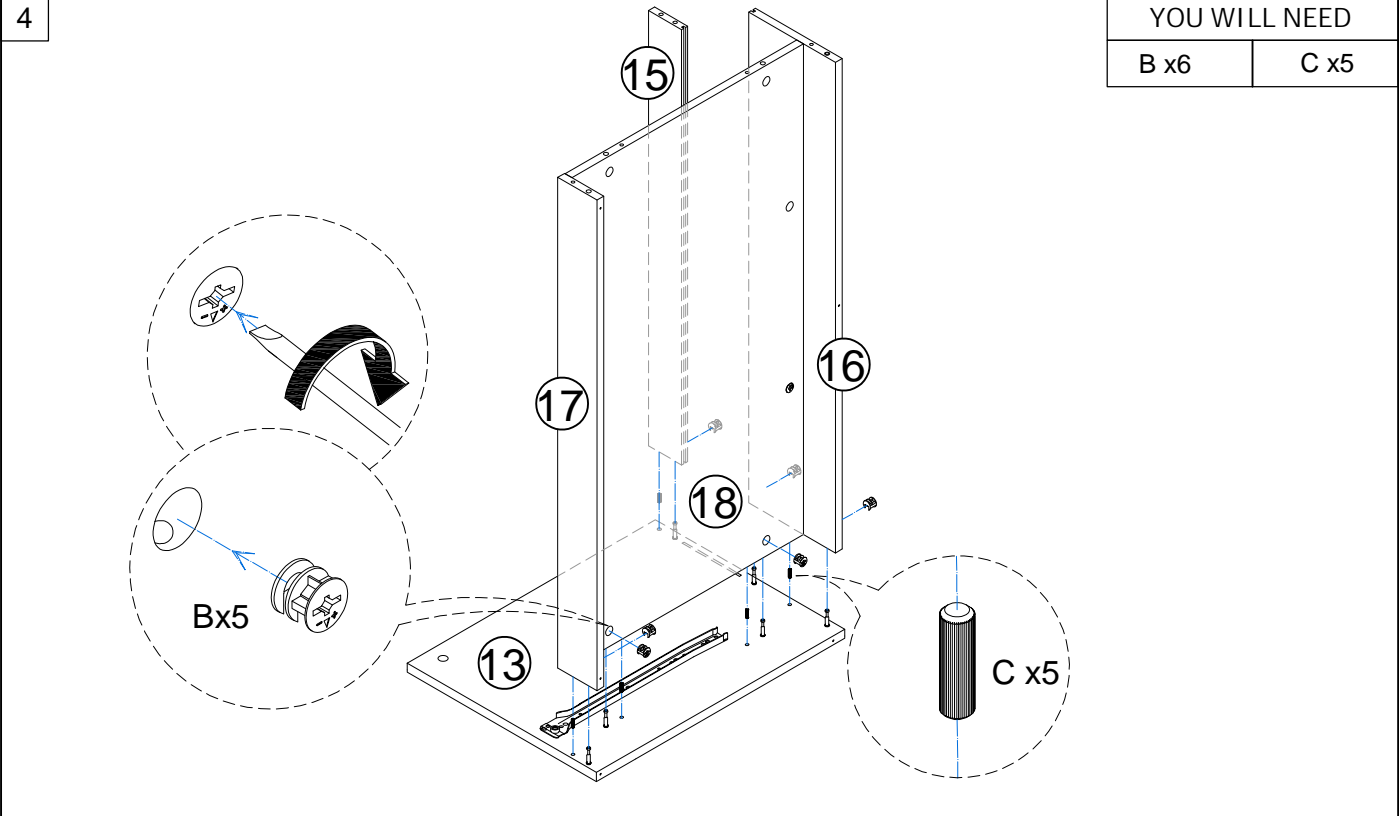
YOU WILL NEED
 B x4


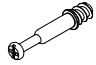
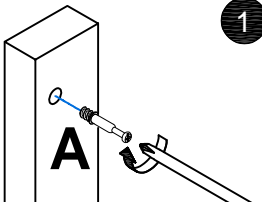
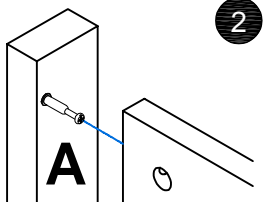
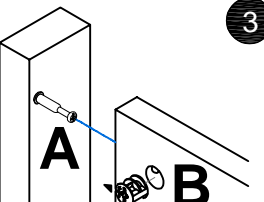
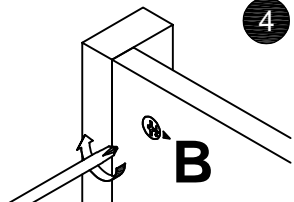


HOW TO  Cam lock  Cam bolt	 1	 2	 3	 4
	1. Screw Cam Bolt into panel	2. Insert Cam Bolt into bolt hole of joining panel.	3. Insert Cam Lock with arrow facing bolt.	4. Gently turn Cam Lock 180° clockwise to lock into position.



<p>HOW TO</p>  <p>Cam lock</p>  <p>Cam bolt</p>	 <p>1</p>	 <p>2</p>	 <p>3</p>	 <p>4</p>
	<p>1. Screw Cam Bolt into panel</p>	<p>2. Insert Cam Bolt into bolt hole of joining panel.</p>	<p>3. Insert Cam Lock with arrow facing bolt.</p>	<p>4. Gently turn Cam Lock 180° clockwise to lock into position.</p>
	<p>YOU WILL NEED</p>			
			<p>B x6</p>	<p>C x5</p>



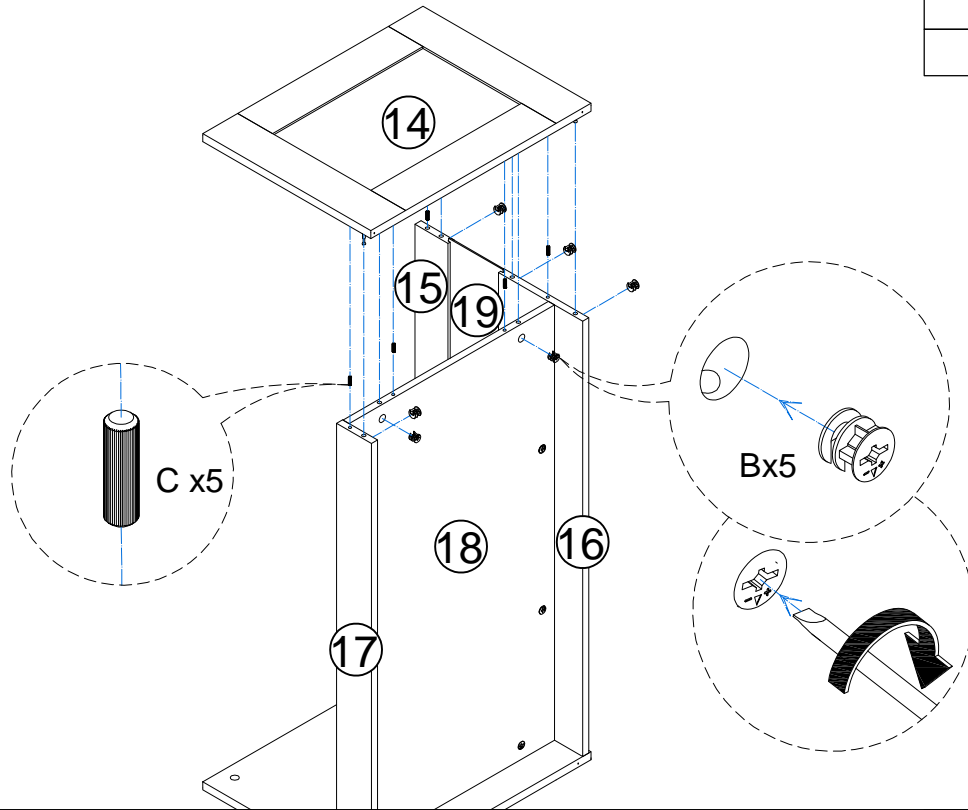
<p>HOW TO</p>  <p>Cam lock</p>  <p>Cam bolt</p>	 <p>1</p>	 <p>2</p>	 <p>3</p>	 <p>4</p>
	<p>1. Screw Cam Bolt into panel</p>	<p>2. Insert Cam Bolt into bolt hole of joining panel.</p>	<p>3. Insert Cam Lock with arrow facing bolt.</p>	<p>4. Gently turn Cam Lock 180° clockwise to lock into position.</p>

6

YOU WILL NEED

B x6

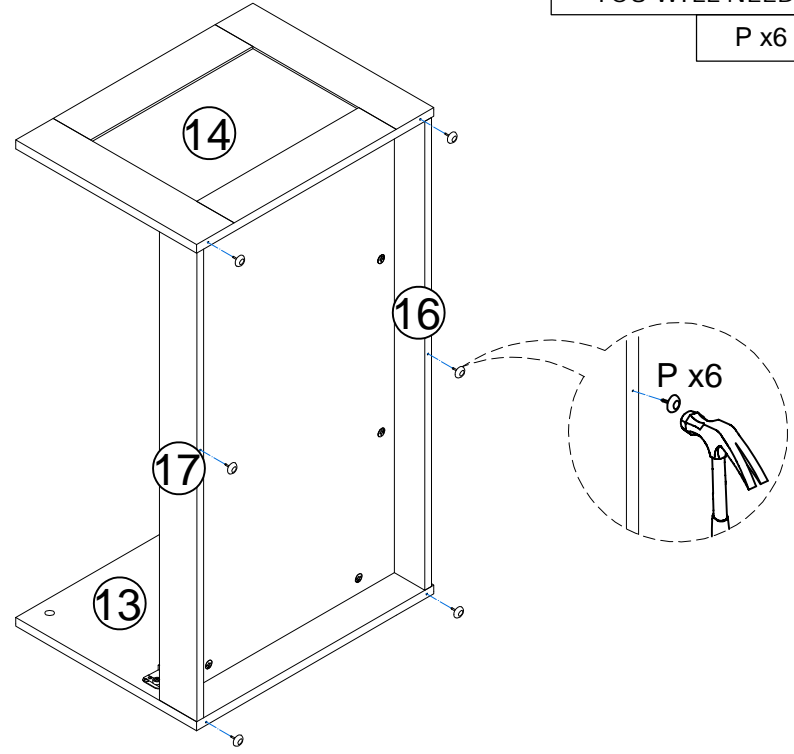
C x5


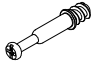
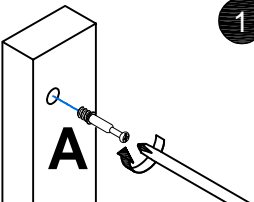
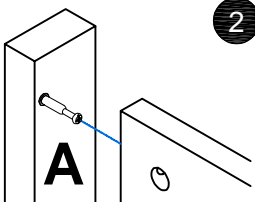
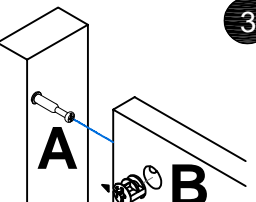
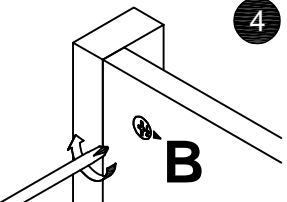


7

YOU WILL NEED

P x6

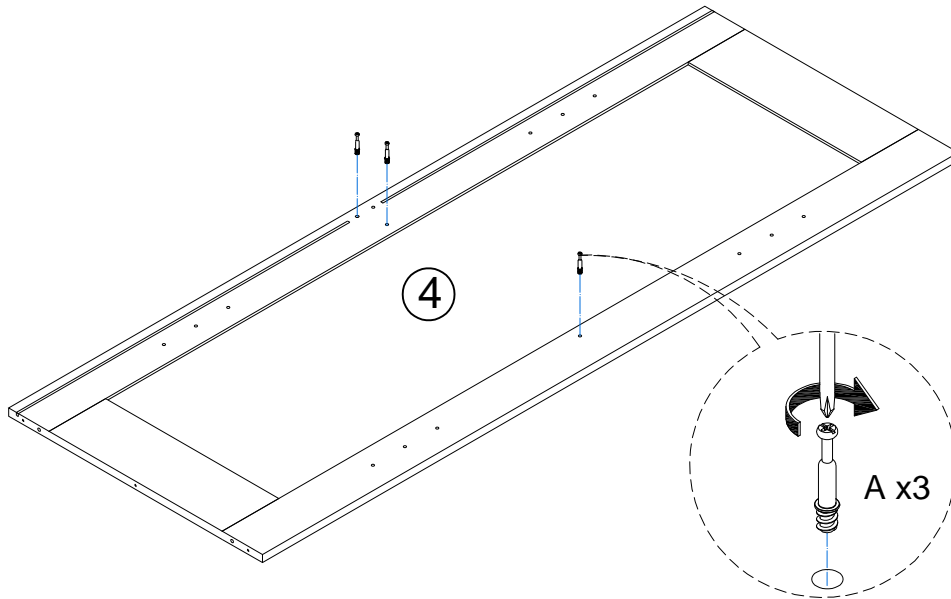


HOW TO  Cam lock  Cam bolt	 1	 2	 3	 4
	1. Screw Cam Bolt into panel	2. Insert Cam Bolt into bolt hole of joining panel.	3. Insert Cam Lock with arrow facing bolt.	4. Gently turn Cam Lock 180° clockwise to lock into position.

8

YOU WILL NEED

A x3

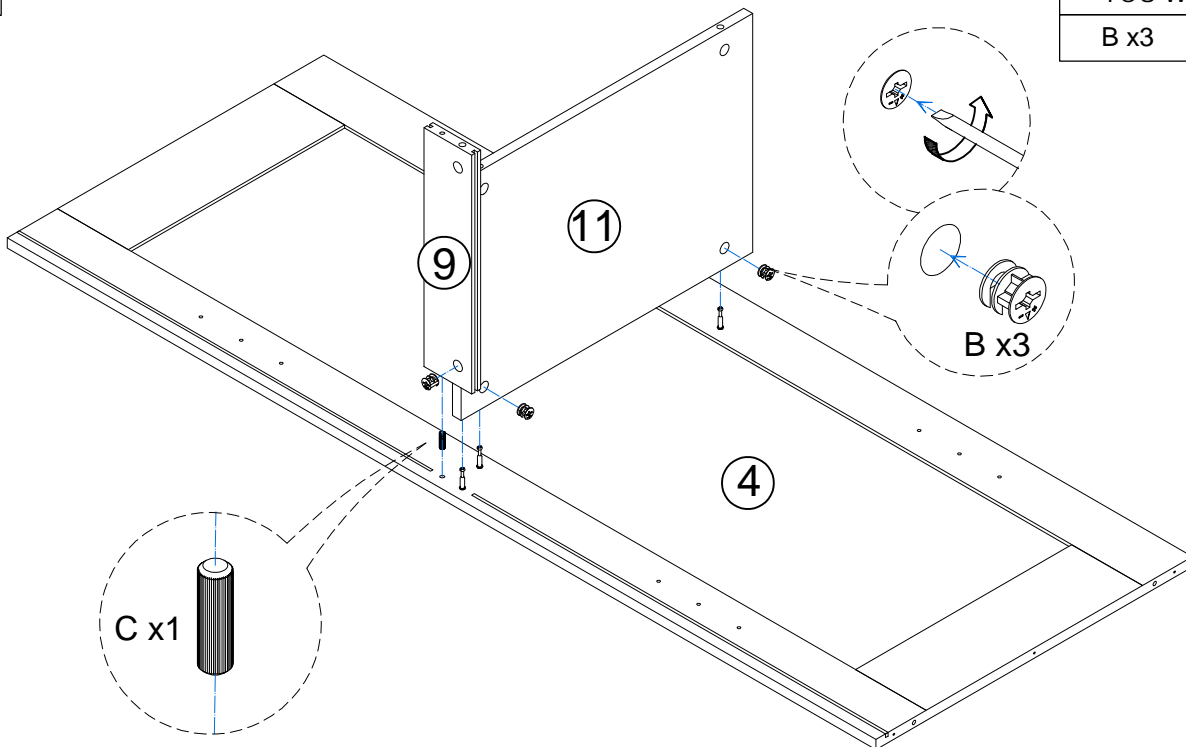




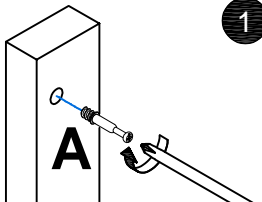
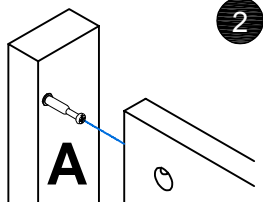
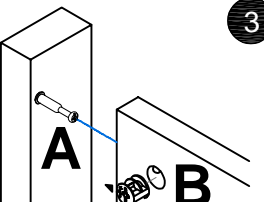
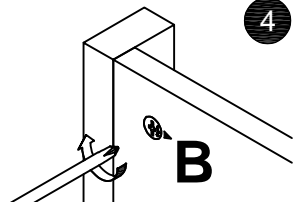
9

YOU WILL NEED

B x3

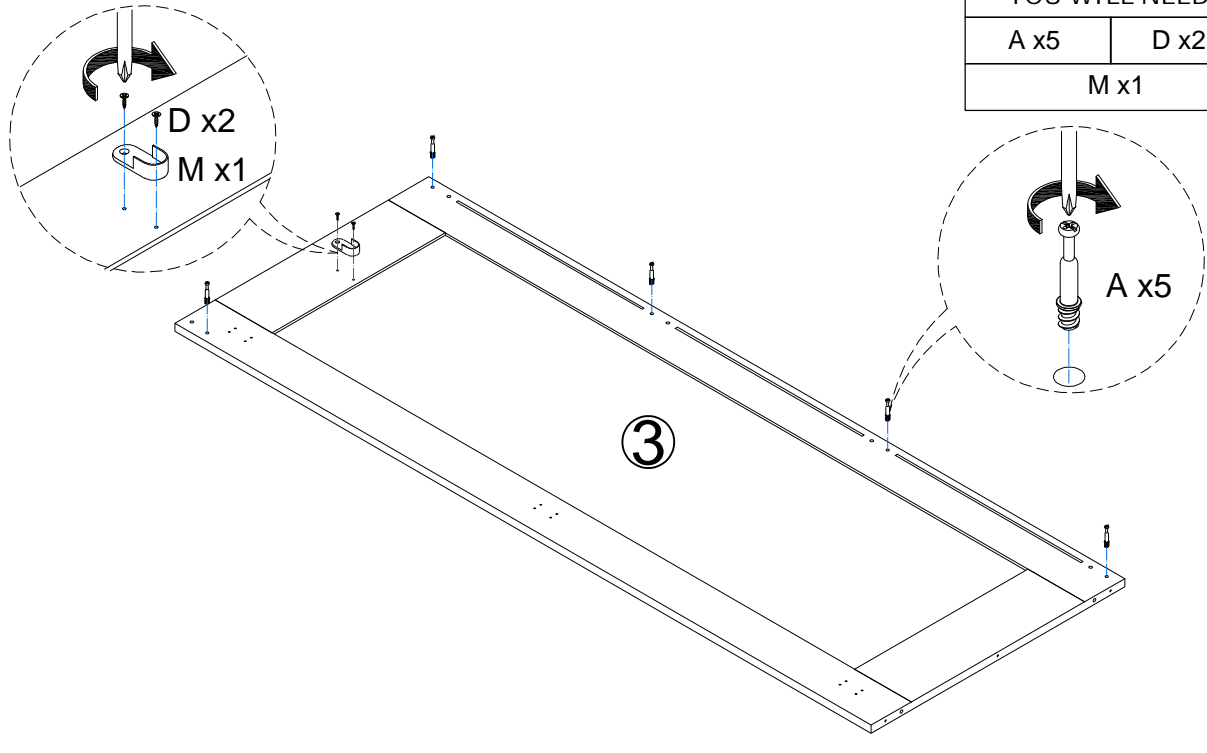
C x1



HOW TO  Cam lock  Cam bolt	 1	 2	 3	 4
	1. Screw Cam Bolt into panel	2. Insert Cam Bolt into bolt hole of joining panel.	3. Insert Cam Lock with arrow facing bolt.	4. Gently turn Cam Lock 180° clockwise to lock into position.

10

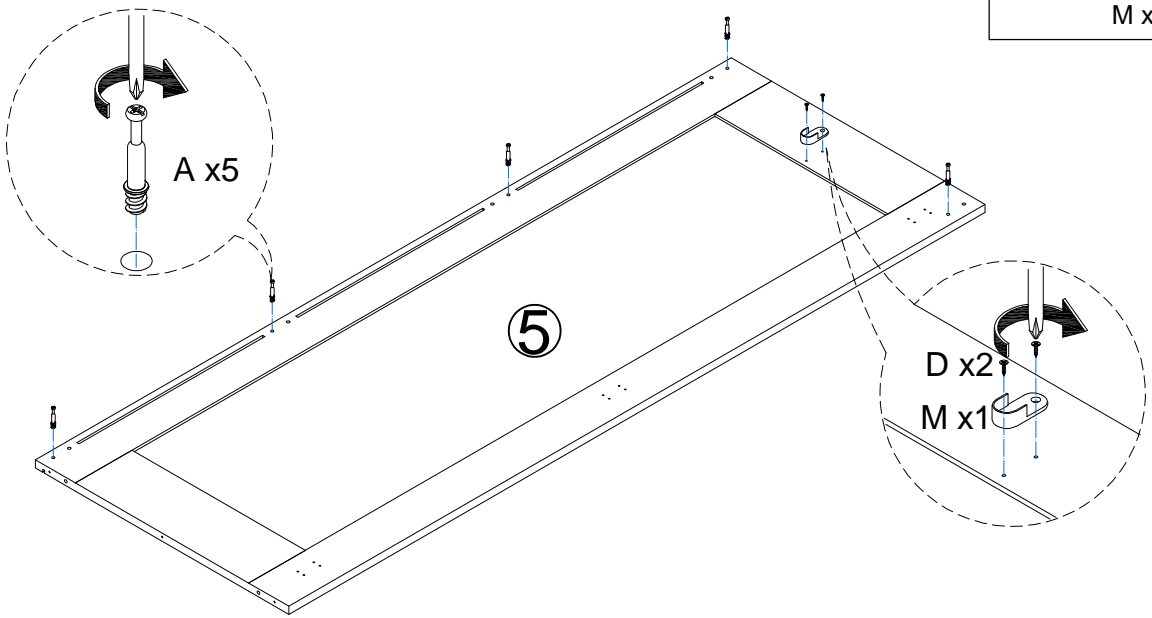
YOU WILL NEED	
A x5	D x2
M x1	




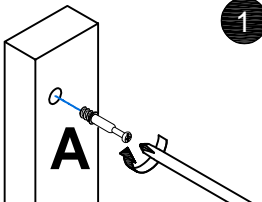
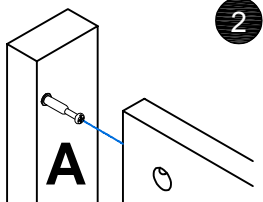
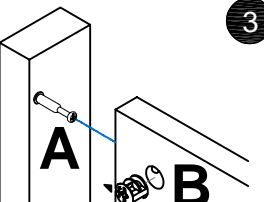
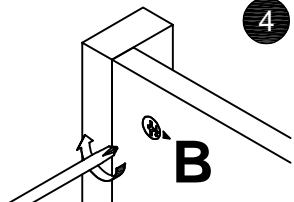
3

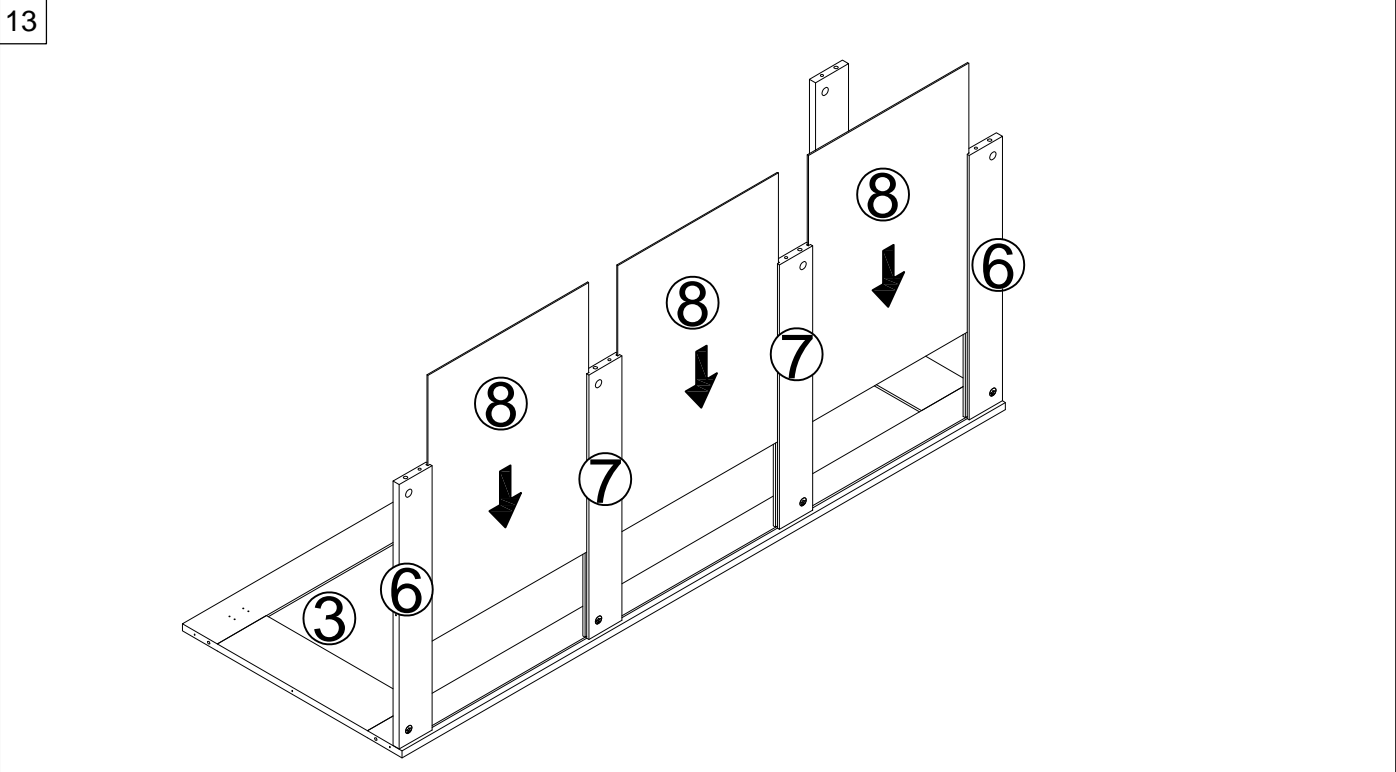
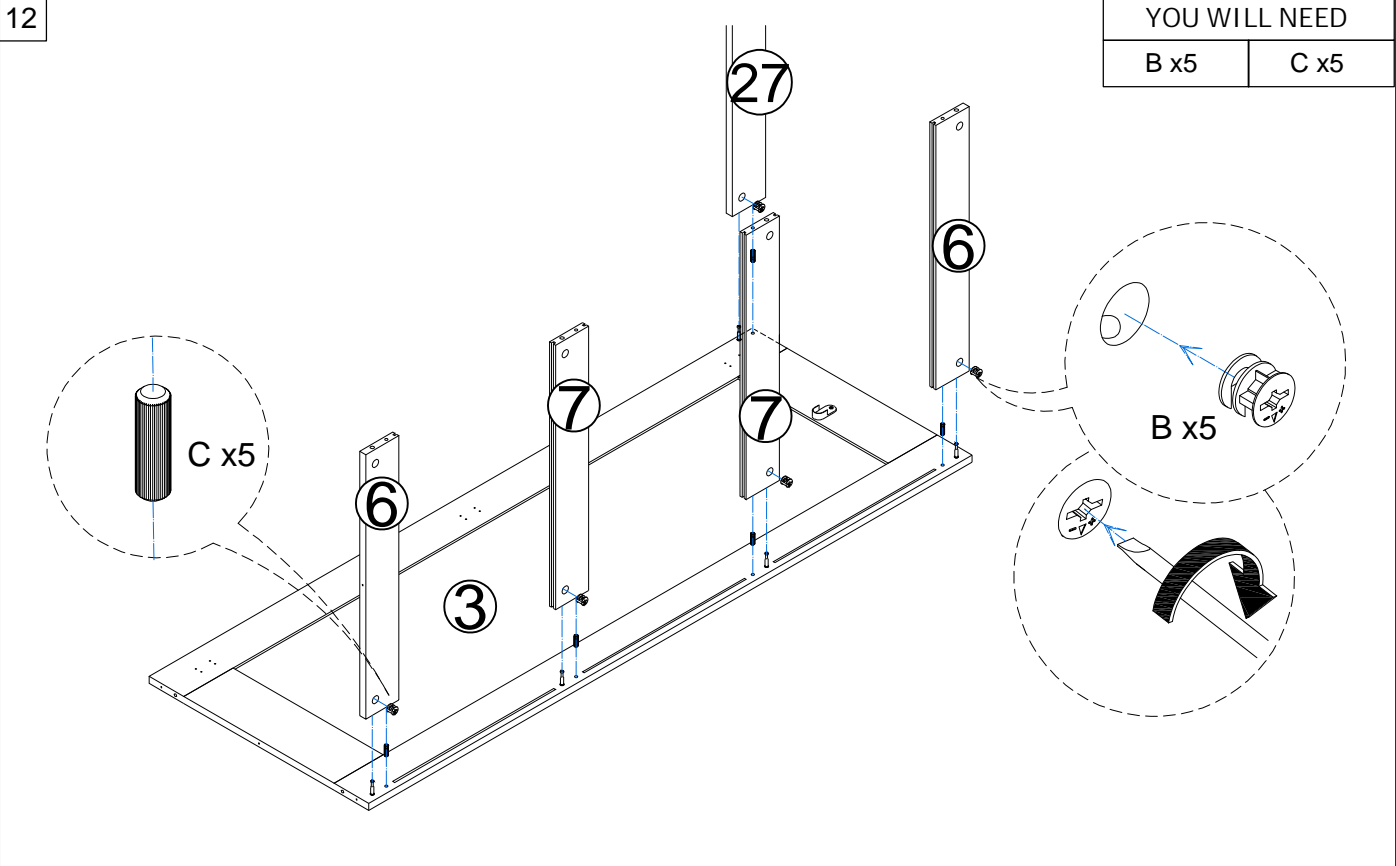
11


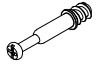
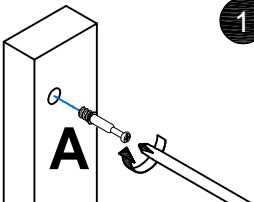
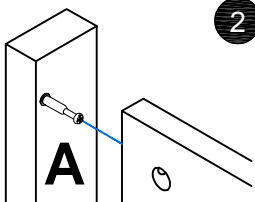
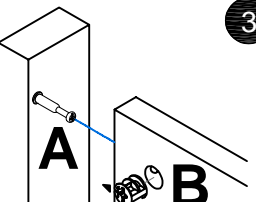
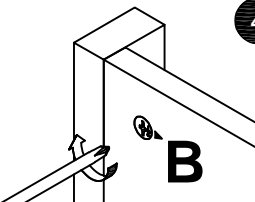
YOU WILL NEED	
A x5	D x2
M x1	



5

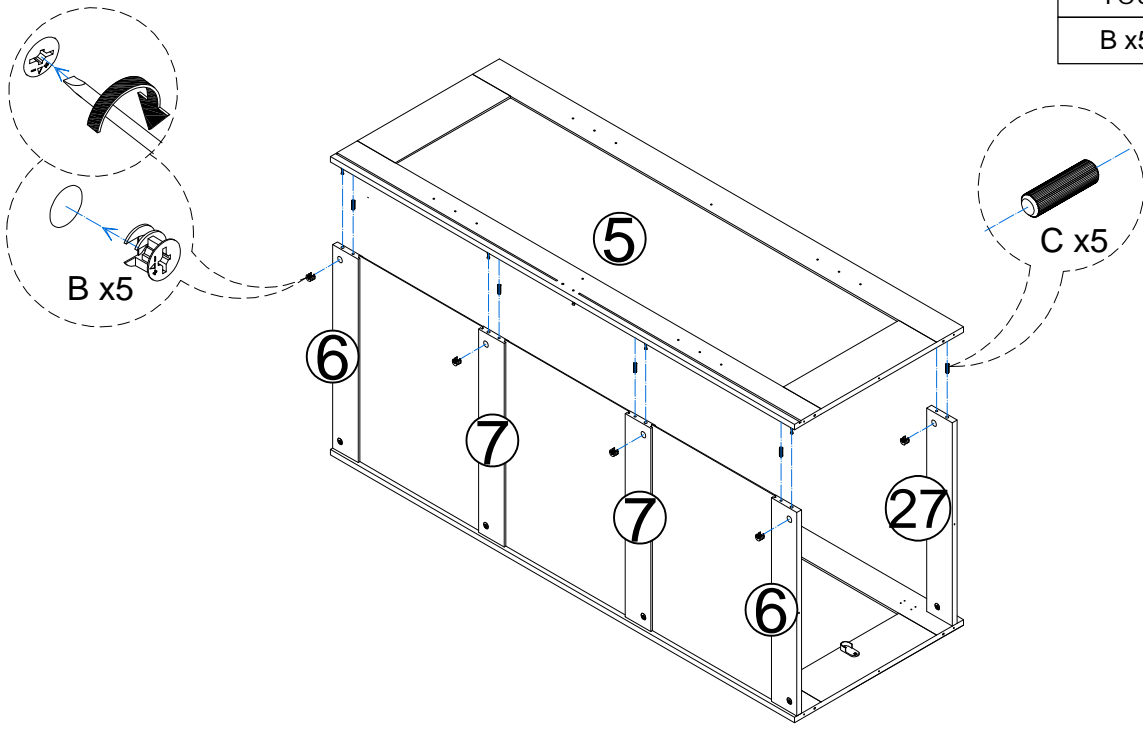
<p>HOW TO</p>  <p>Cam lock</p> <p>Cam bolt</p>	 <p>1</p> <p>A</p>	 <p>2</p> <p>A</p>	 <p>3</p> <p>A</p> <p>B</p>	 <p>4</p> <p>B</p>
	<p>1. Screw Cam Bolt into panel</p>	<p>2. Insert Cam Bolt into bolt hole of joining panel.</p>	<p>3. Insert Cam Lock with arrow facing bolt.</p>	<p>4. Gently turn Cam Lock 180° clockwise to lock into position.</p>



HOW TO  Cam lock  Cam bolt	 1	 2	 3	 4
	1. Screw Cam Bolt into panel	2. Insert Cam Bolt into bolt hole of joining panel.	3. Insert Cam Lock with arrow facing bolt.	4. Gently turn Cam Lock 180° clockwise to lock into position.

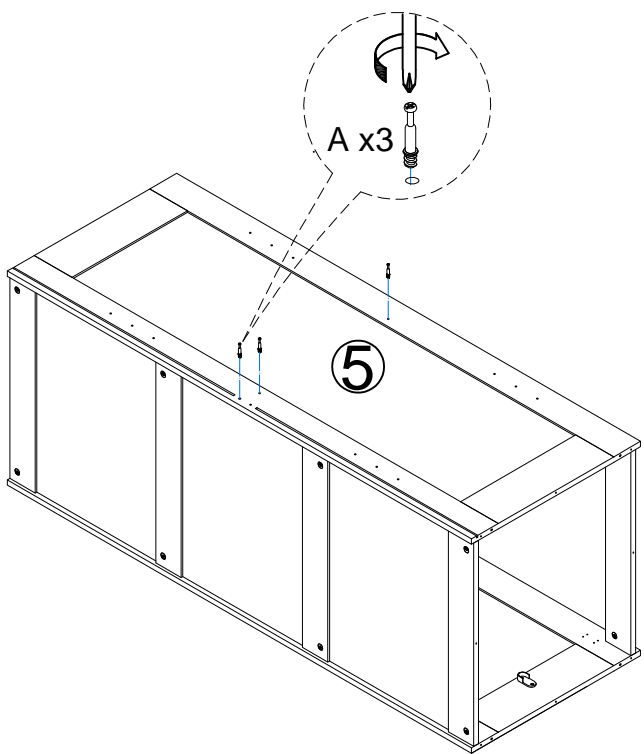
14



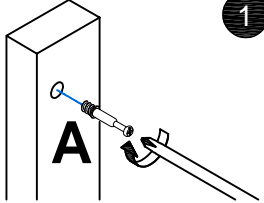
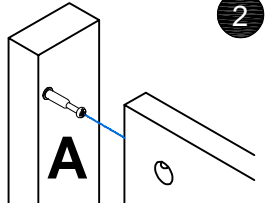
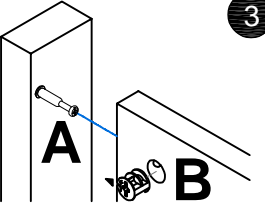
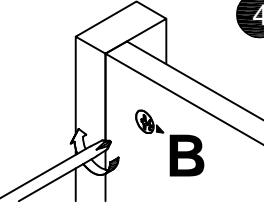
YOU WILL NEED	
B x5	C x5



15

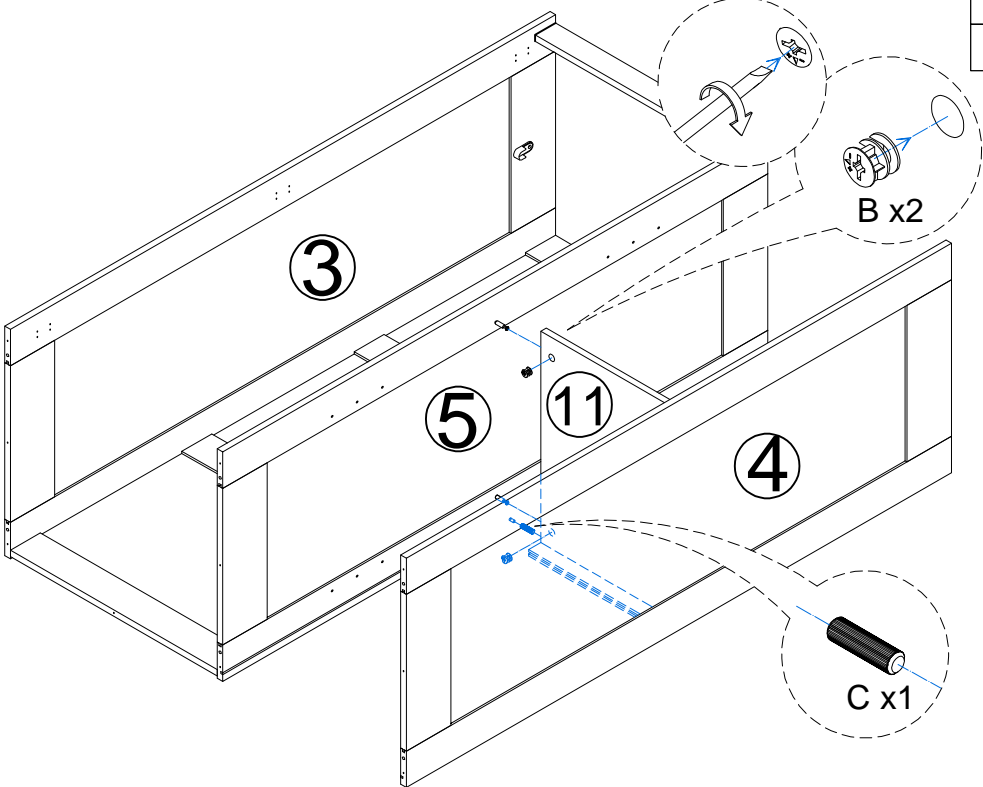
YOU WILL NEED
A x3



HOW TO  Cam lock  Cam bolt	 1	 2	 3	 4
	1. Screw Cam Bolt into panel	2. Insert Cam Bolt into bolt hole of joining panel.	3. Insert Cam Lock with arrow facing bolt.	4. Gently turn Cam Lock 180° clockwise to lock into position.

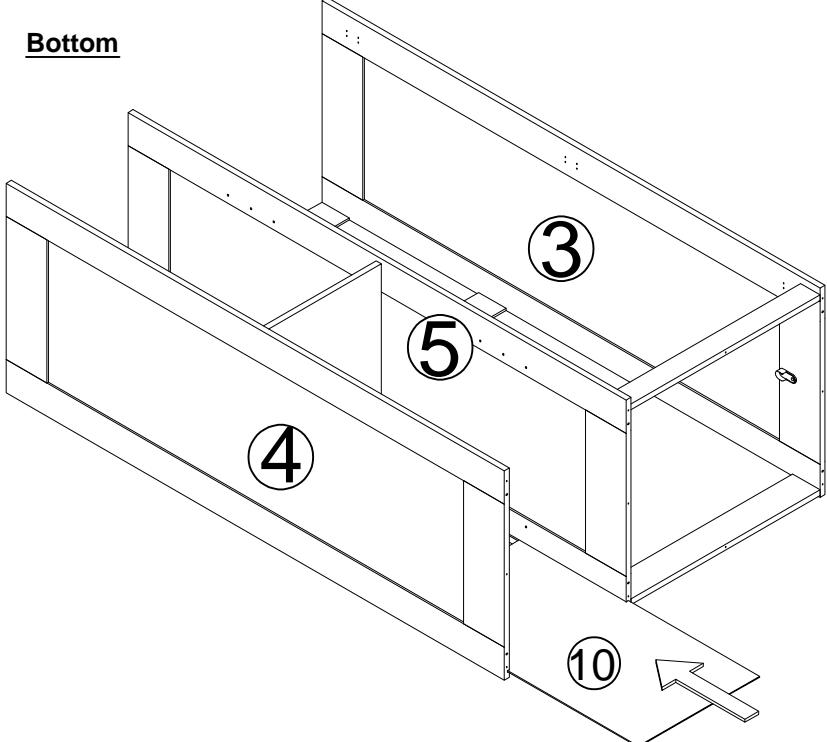
16

YOU WILL NEED
 B x2 C x1



17

Bottom



Top

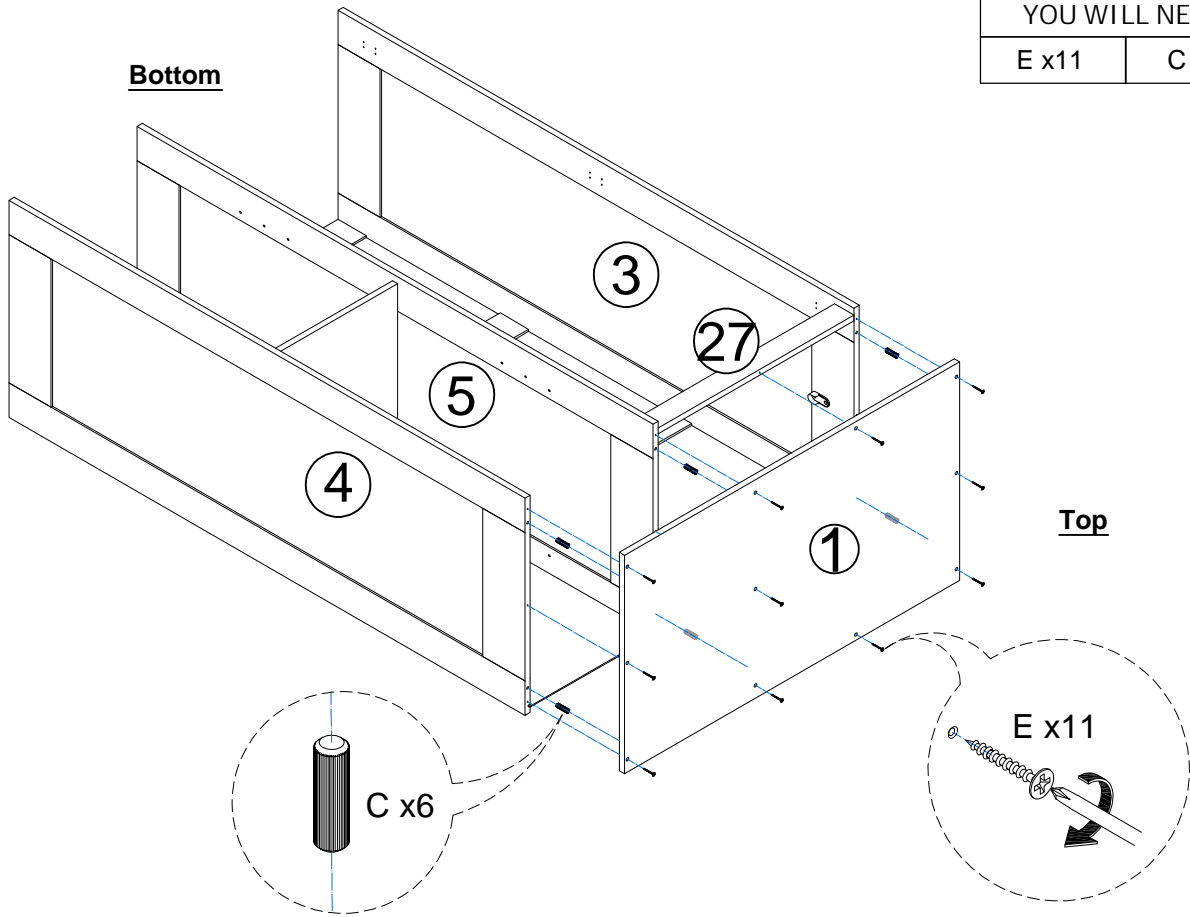
18

YOU WILL NEED

E x11

C x6

Bottom



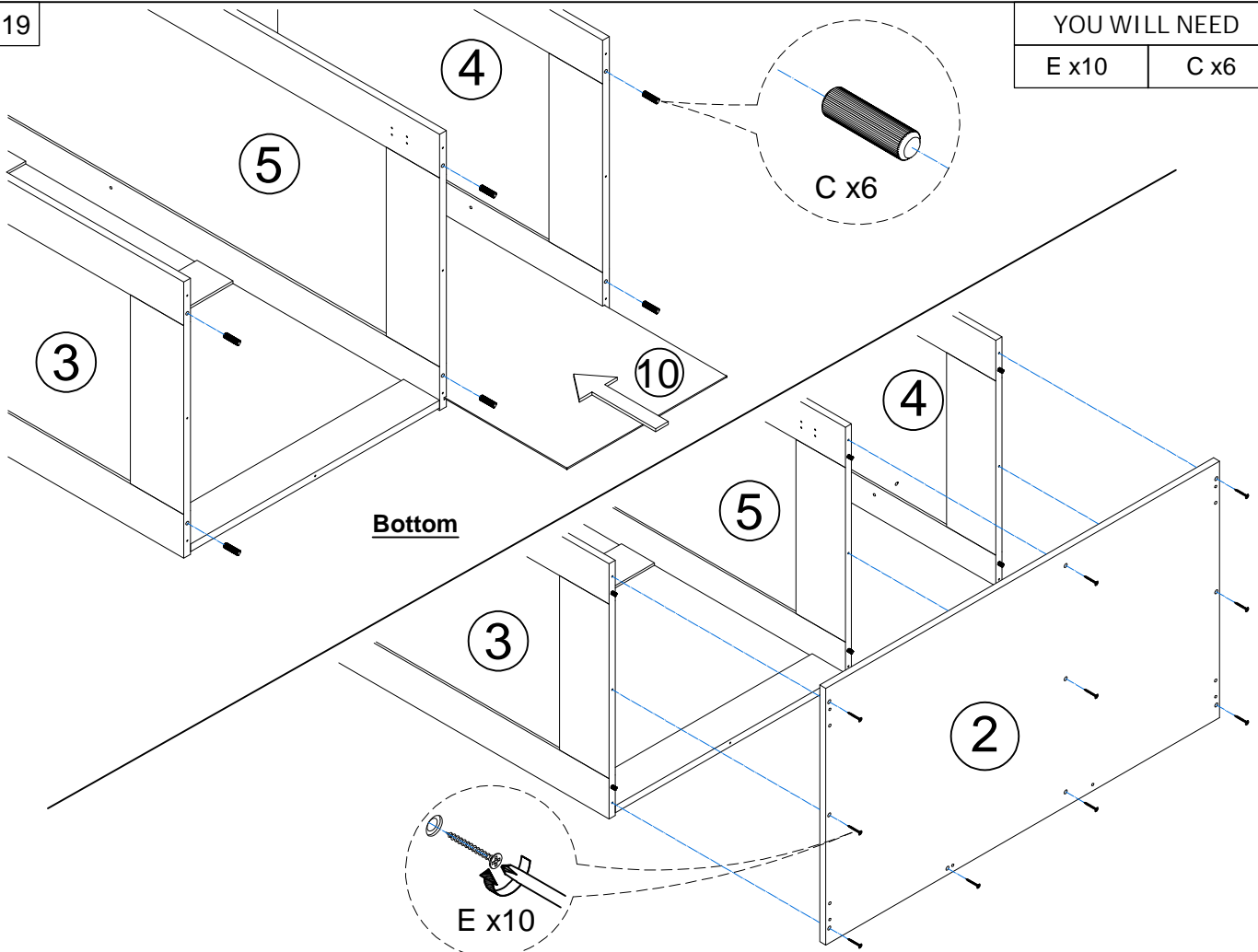
Top

19


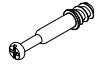
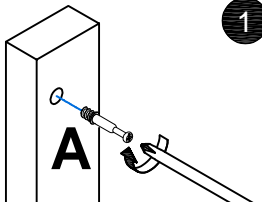
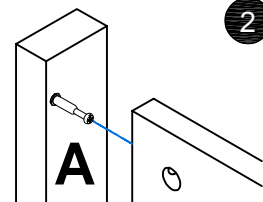
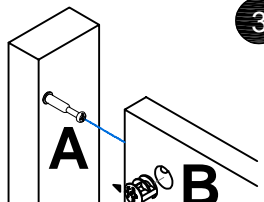
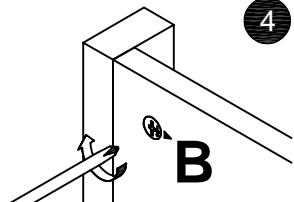
YOU WILL NEED

E x10

C x6



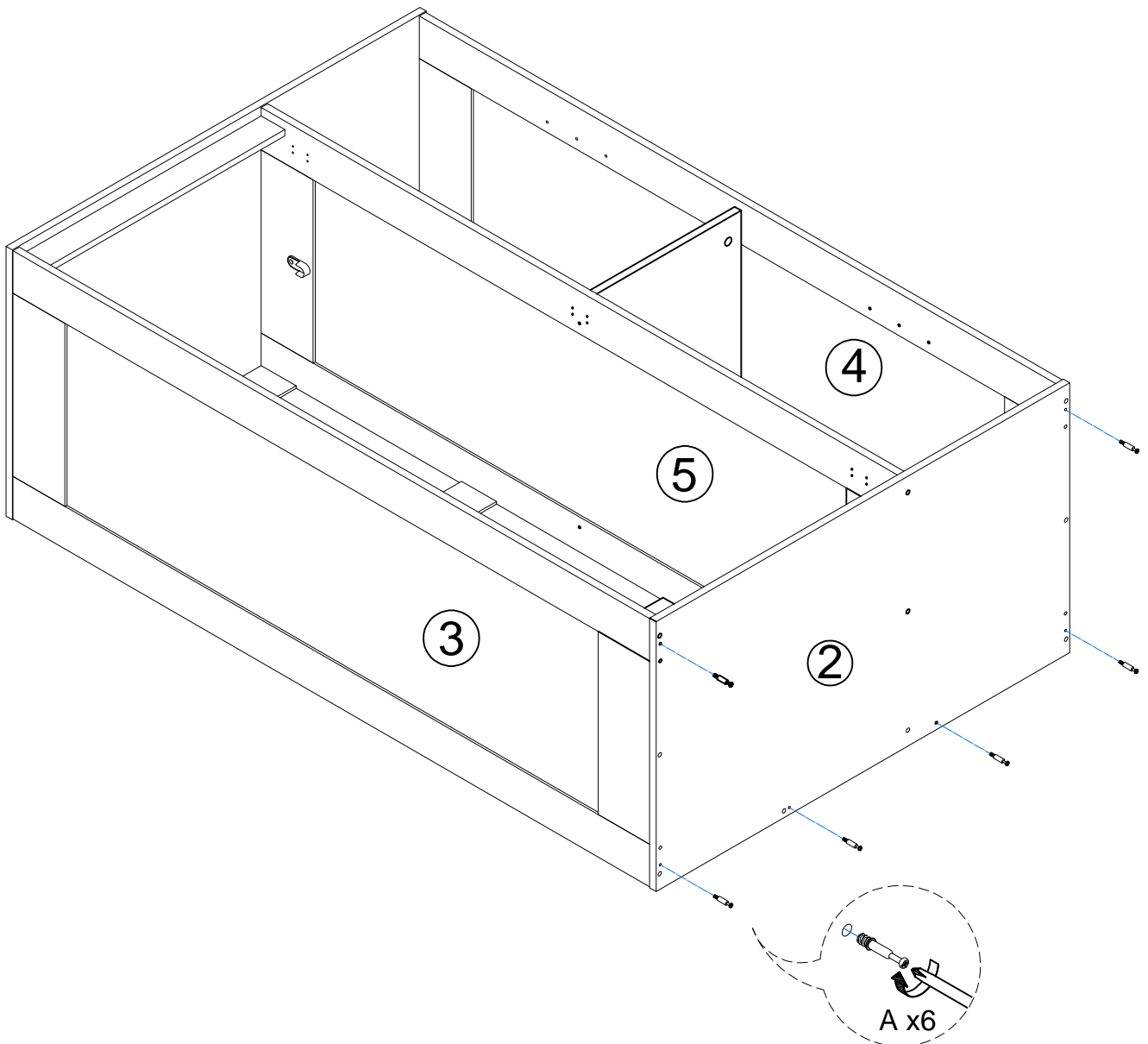
Bottom


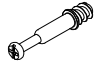
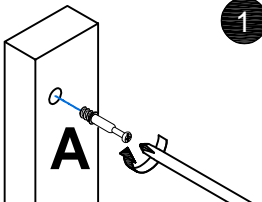
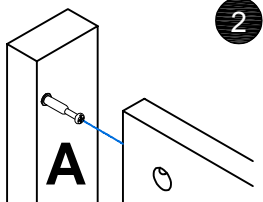
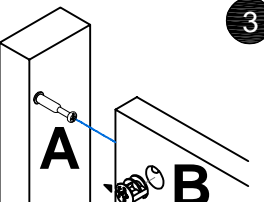
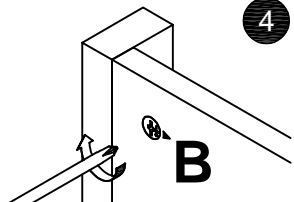
<p>HOW TO</p>  <p>Cam lock</p>  <p>Cam bolt</p>	 <p>1</p>	 <p>2</p>	 <p>3</p>	 <p>4</p>
	<p>1. Screw Cam Bolt into panel</p>	<p>2. Insert Cam Bolt into bolt hole of joining panel.</p>	<p>3. Insert Cam Lock with arrow facing bolt.</p>	<p>4. Gently turn Cam Lock 180° clockwise to lock into position.</p>

20

YOU WILL NEED

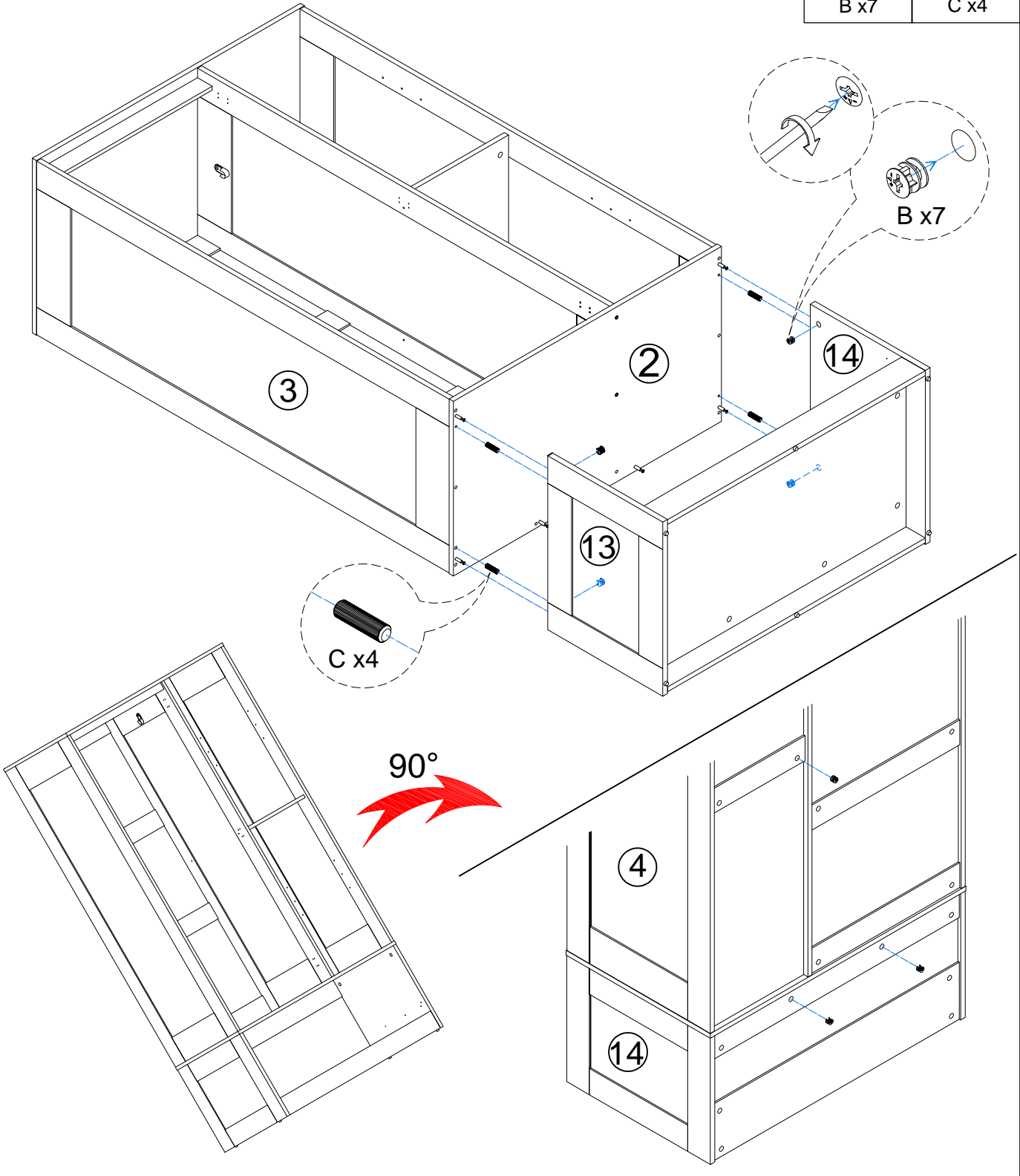
A x6



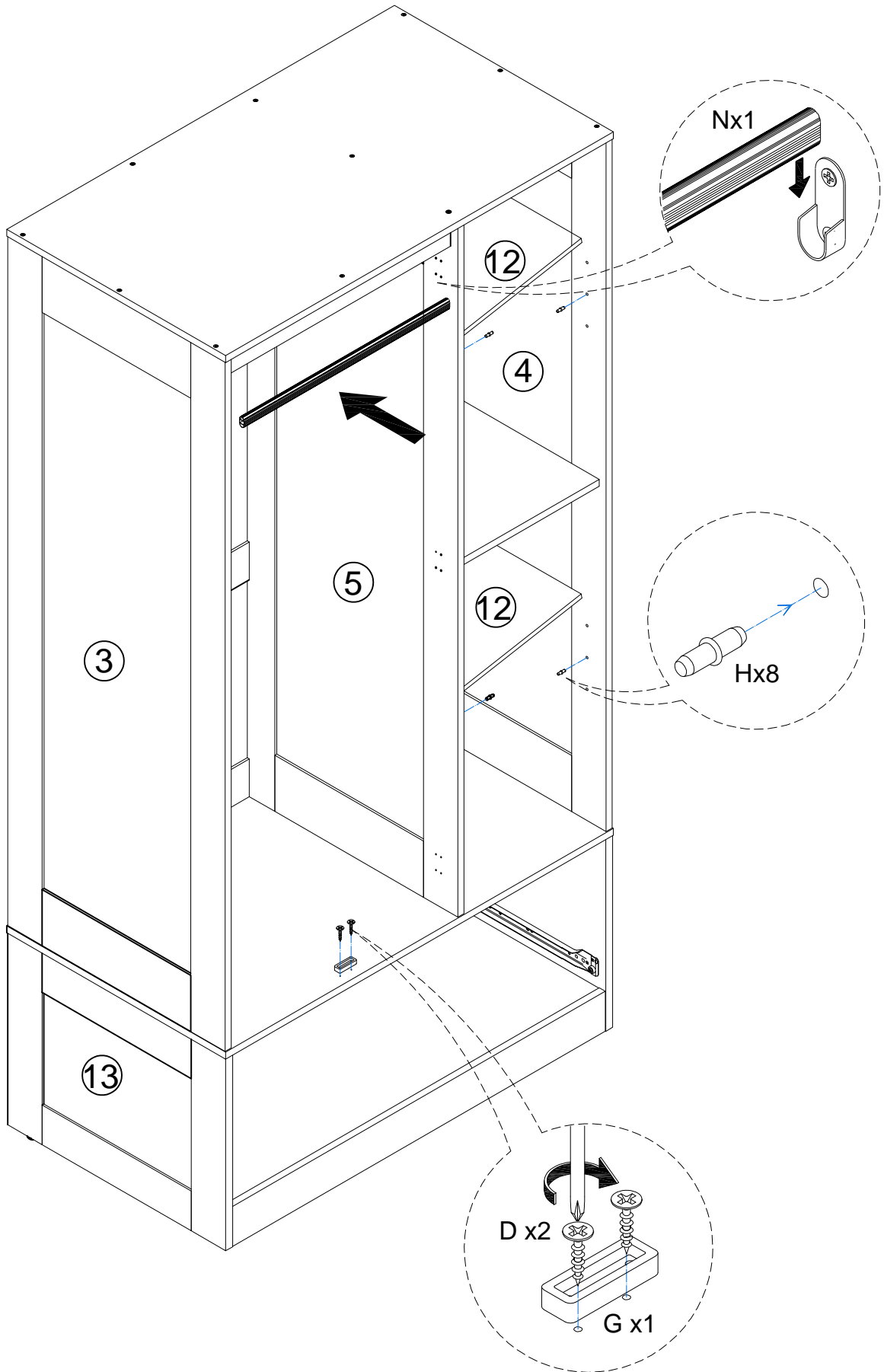
HOW TO  Cam lock  Cam bolt	 1	 2	 3	 4
	1. Screw Cam Bolt into panel	2. Insert Cam Bolt into bolt hole of joining panel.	3. Insert Cam Lock with arrow facing bolt.	4. Gently turn Cam Lock 180° clockwise to lock into position.

21

YOU WILL NEED	
B x7	C x4



YOU WILL NEED	
N x1	G x1
H x8	D x2

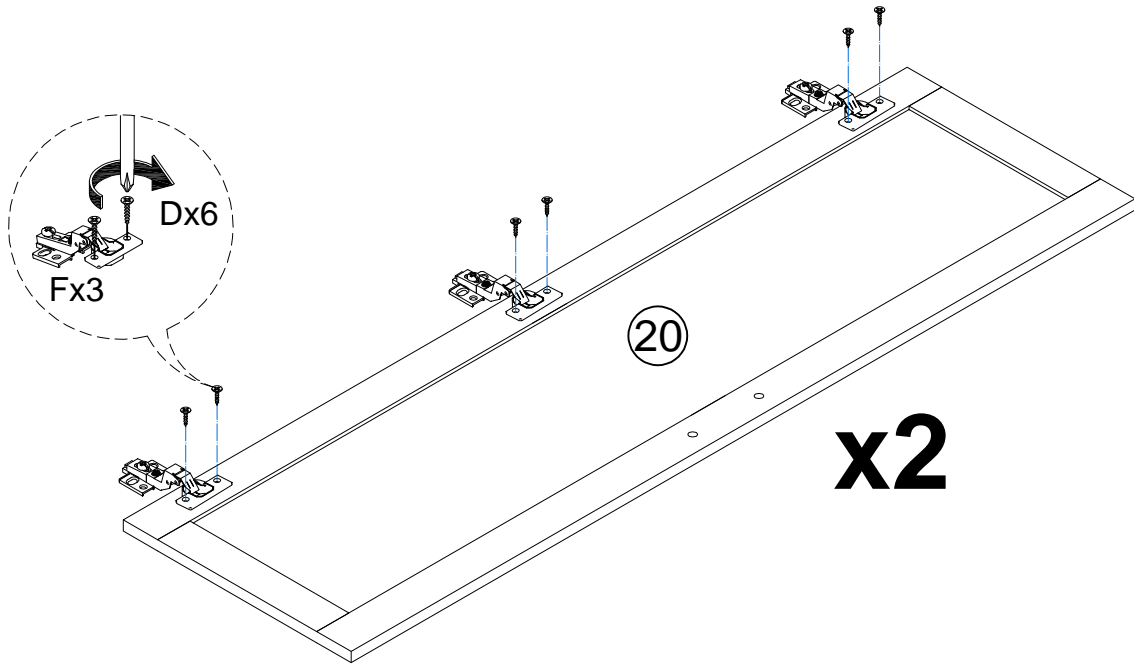


23

YOU WILL NEED

Fx6

Dx12

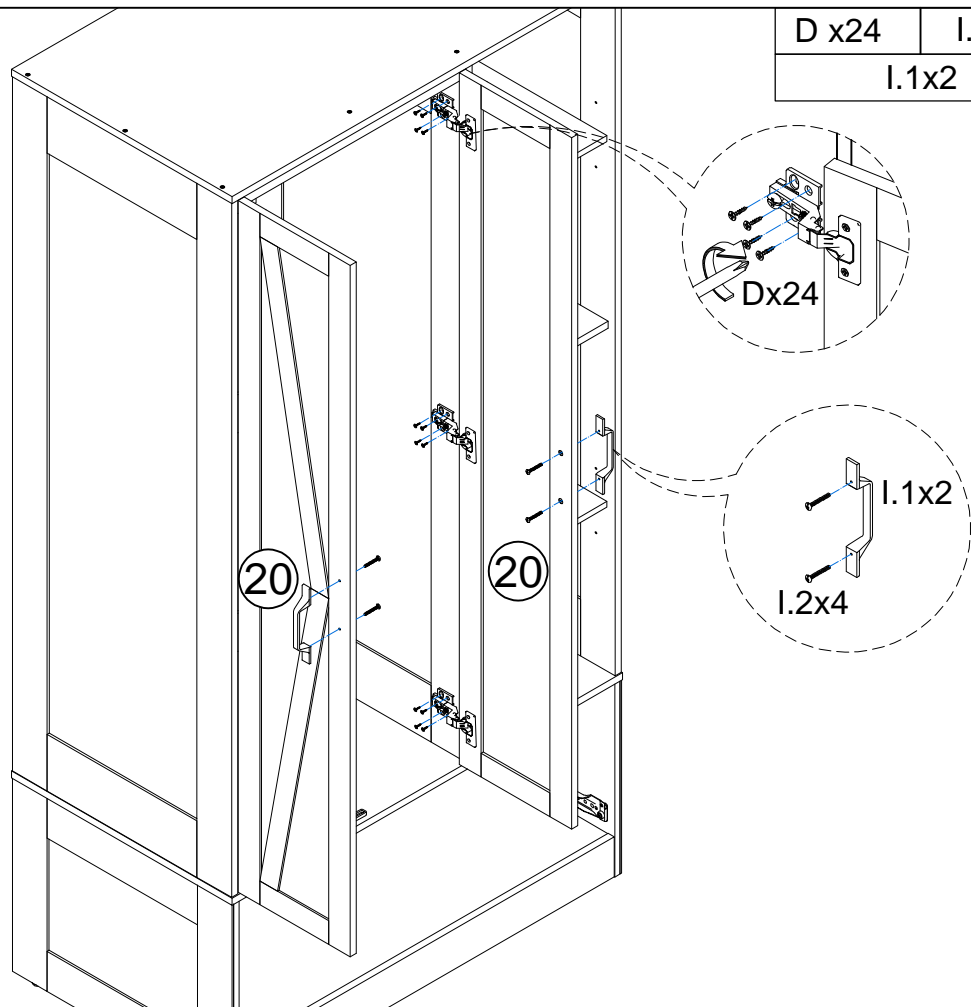


24

D x24

I.2x4

I.1x2

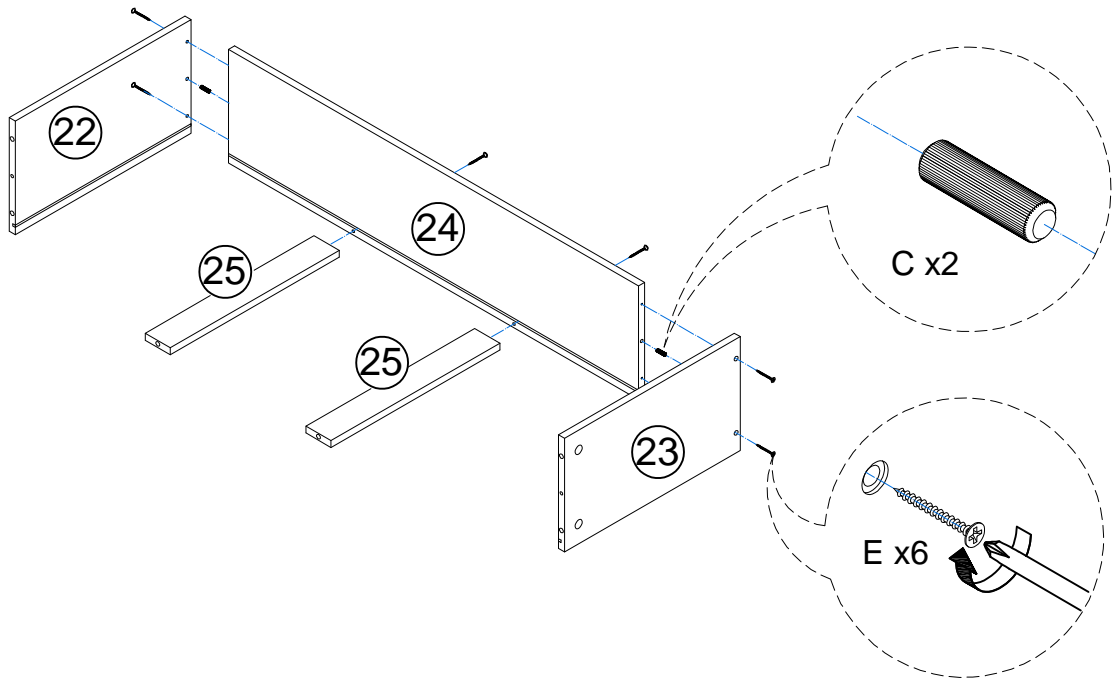


25

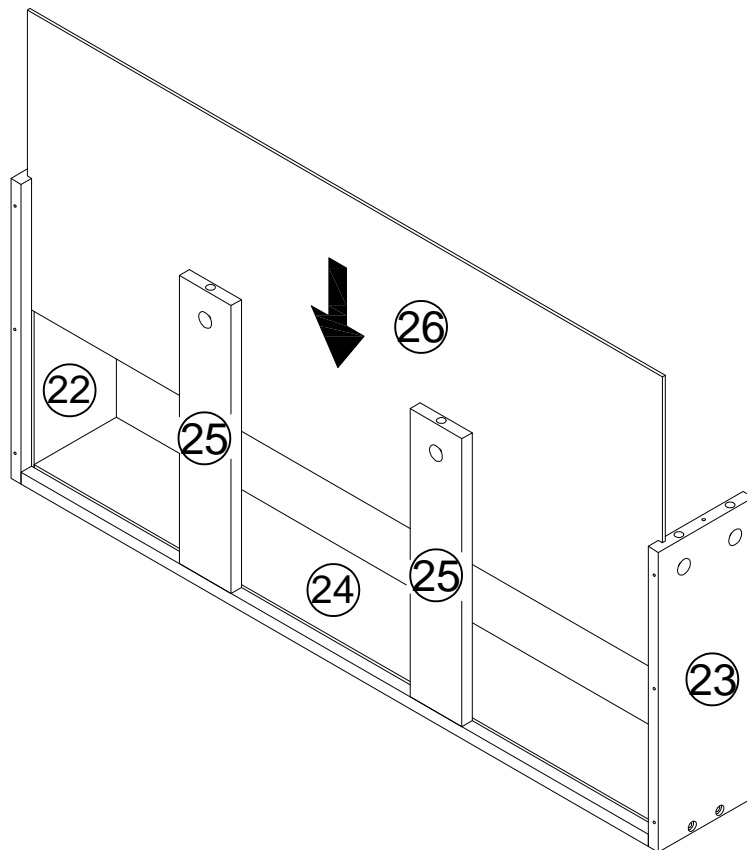
YOU WILL NEED


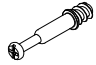
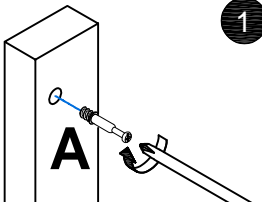
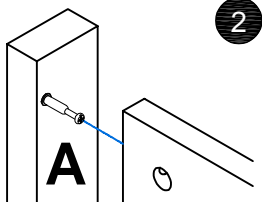
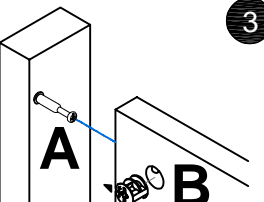
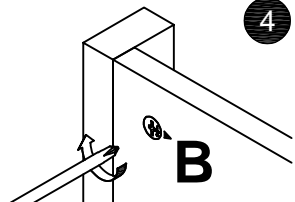
C x2

Ex6



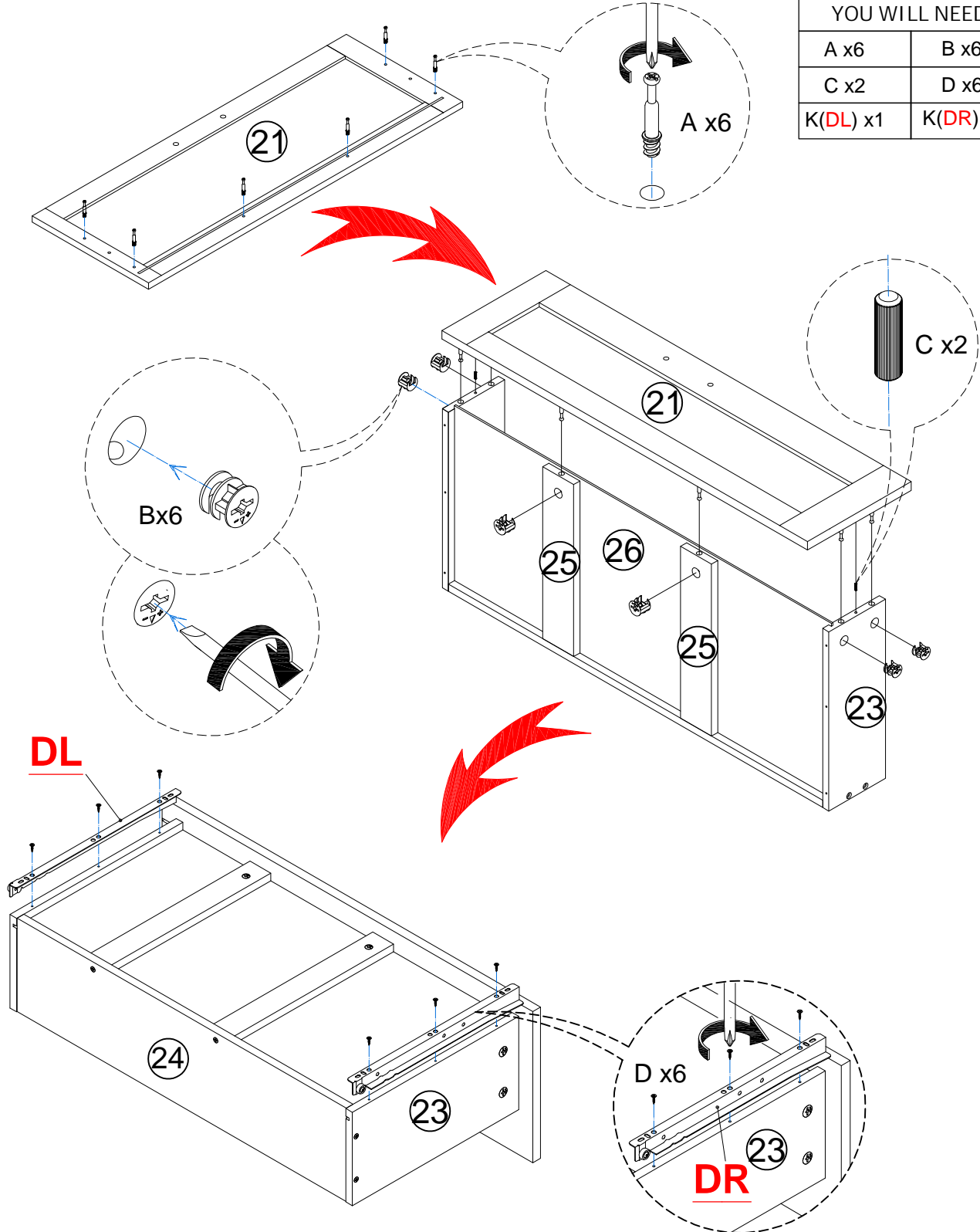
26

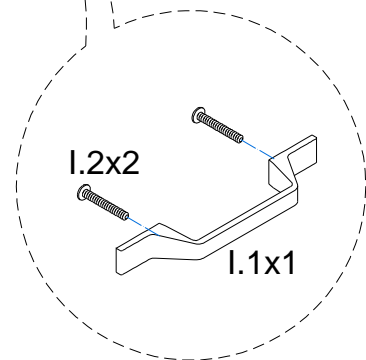
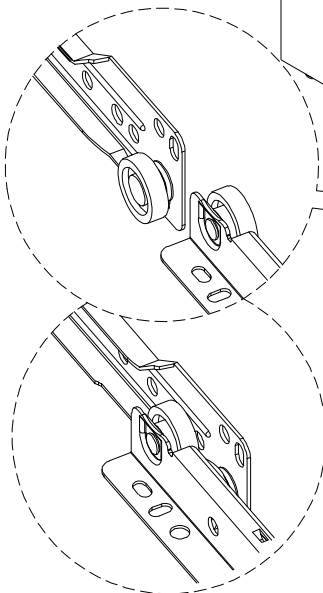
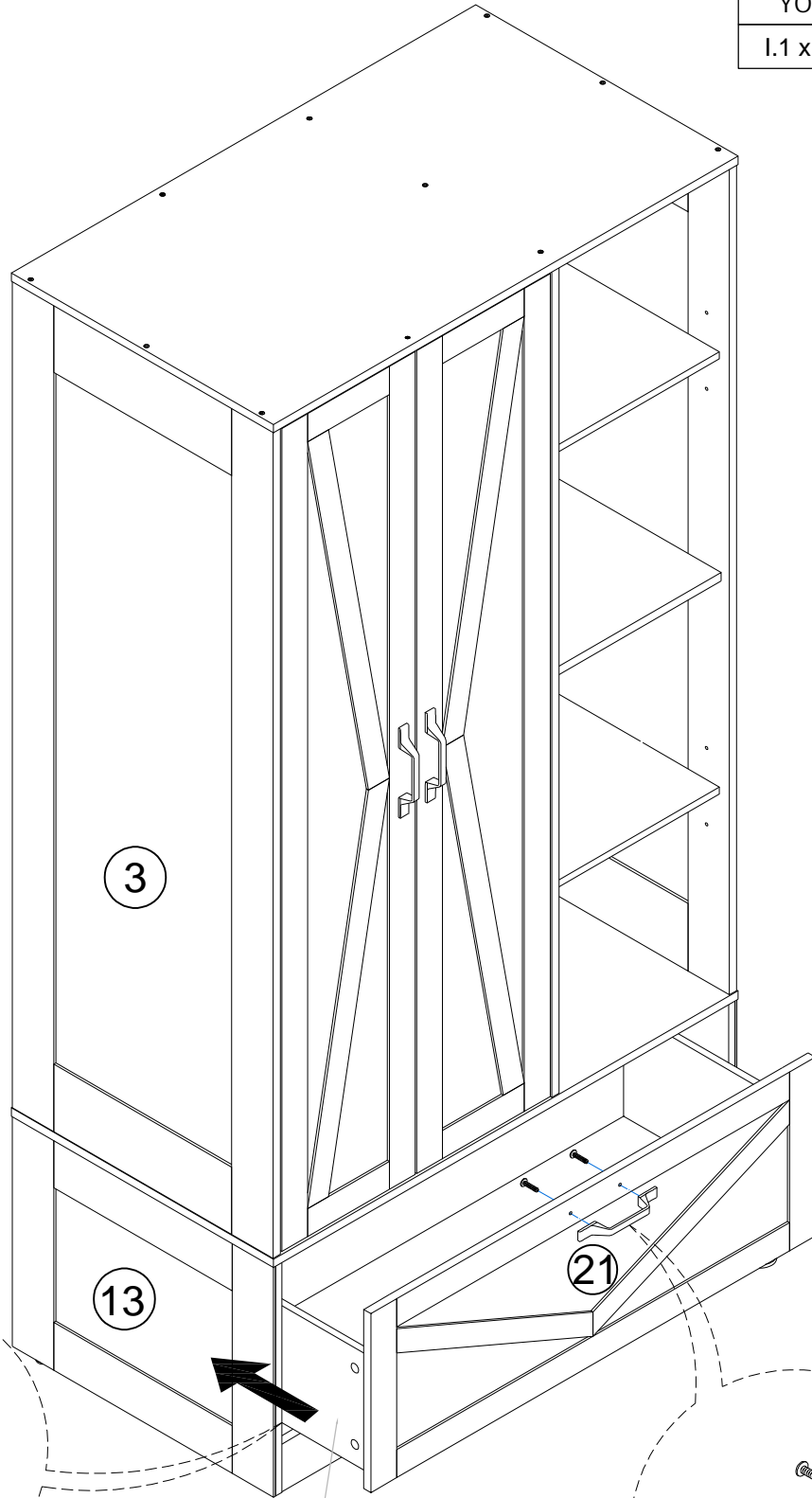


HOW TO  Cam lock  Cam bolt	 <p>1</p> <p>A</p>	 <p>2</p> <p>A</p>	 <p>3</p> <p>A B</p>	 <p>4</p> <p>B</p>
	1. Screw Cam Bolt into panel	2. Insert Cam Bolt into bolt hole of joining panel.	3. Insert Cam Lock with arrow facing bolt.	4. Gently turn Cam Lock 180° clockwise to lock into position.

27

YOU WILL NEED	
A x6	B x6
C x2	D x6
K(DL) x1	K(DR) x1

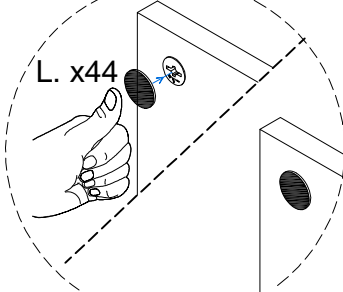




You can see warning label inside !

YOU WILL NEED	
O.1 x30	O.2 x32
L x44	
Q	
Q1 x2, Q2 x2, Q3 x2	

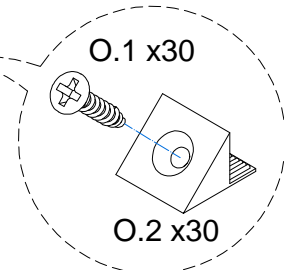
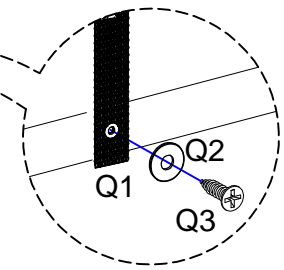
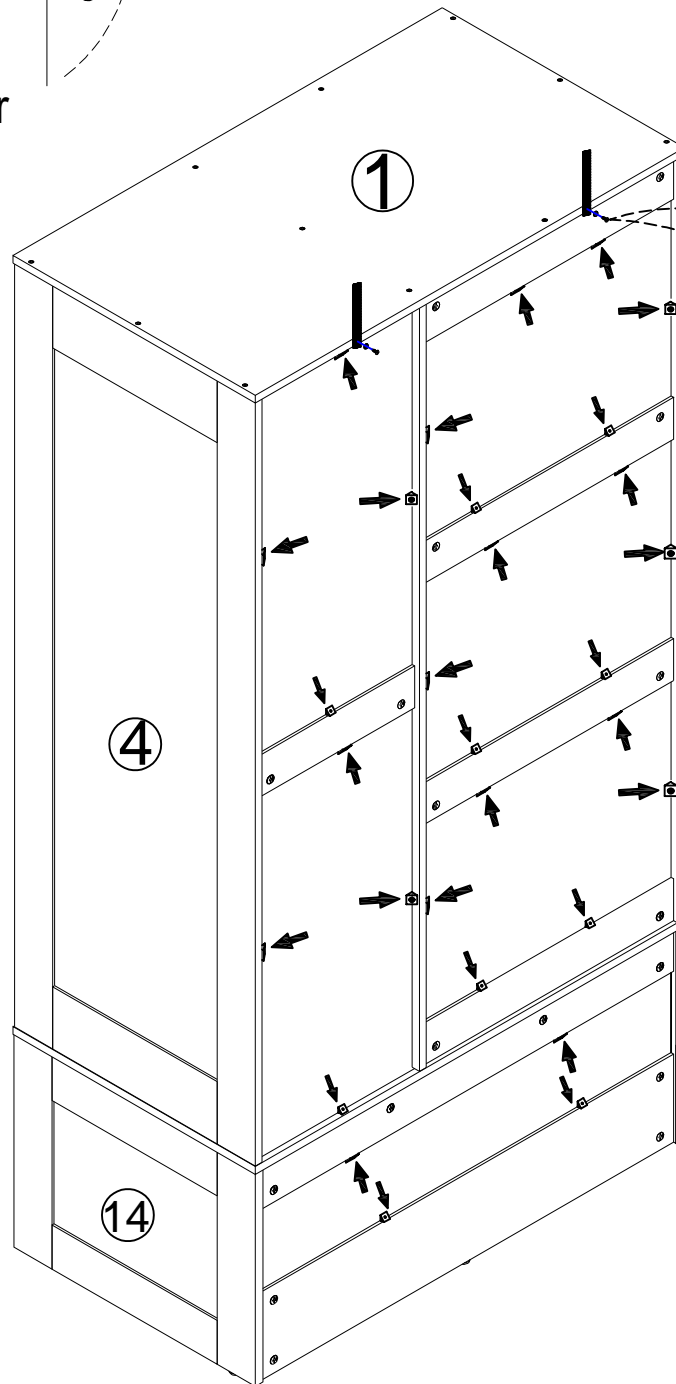
Before



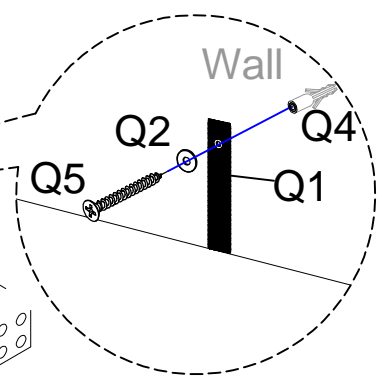
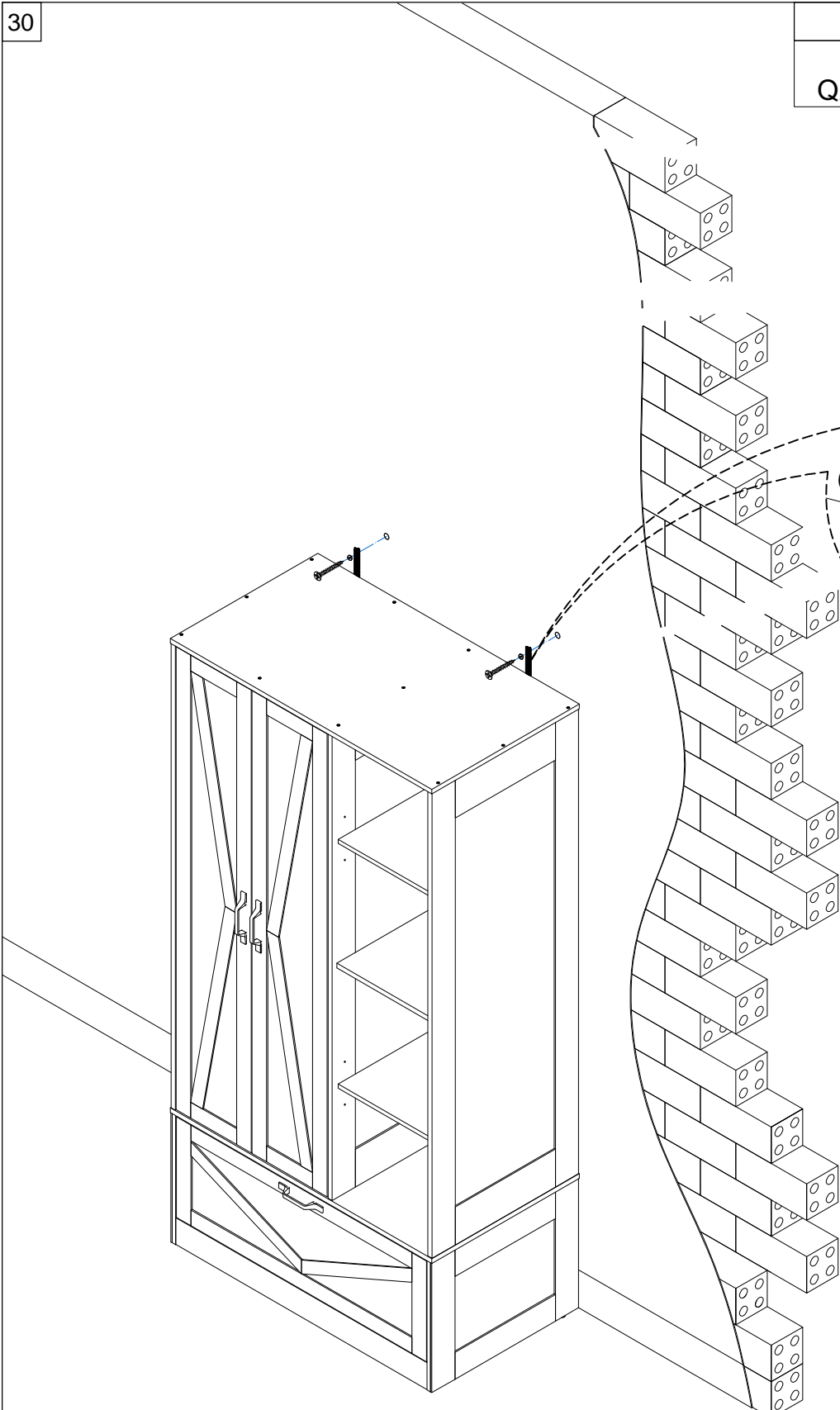
L. x44

Use Perfect Sticker (L) to cover the Camlock's holes on back side !

After



YOU WILL NEED		
	Q	
Q2 x2	Q4 x2	Q5 x2



WALL
Mark the hole drilling location

I x2

WALL
Drill a hole

II x2

WALL

Use a hammer to close anchor (Q4)

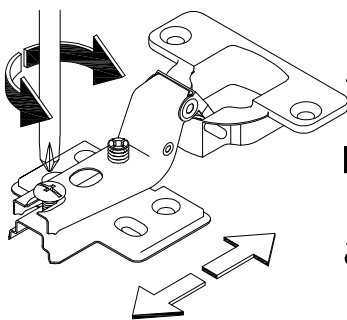
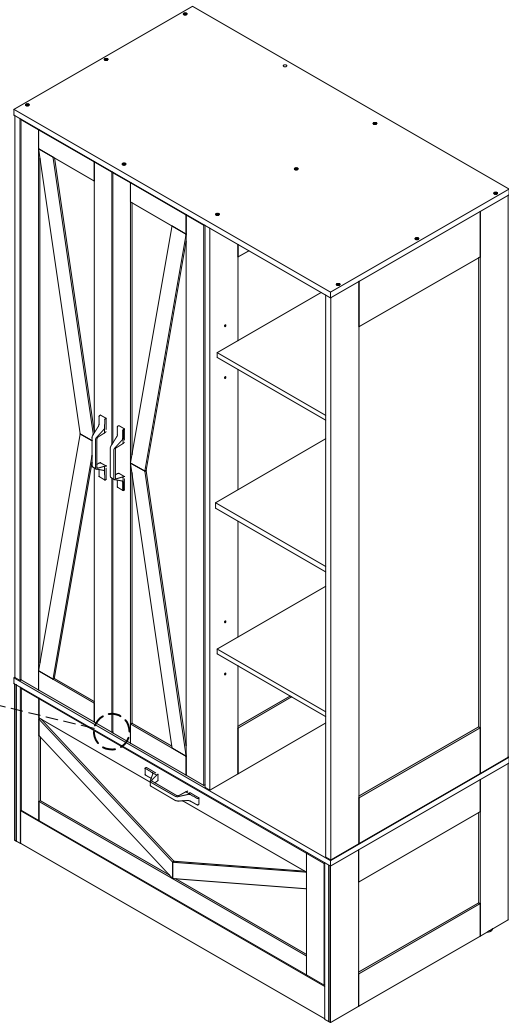
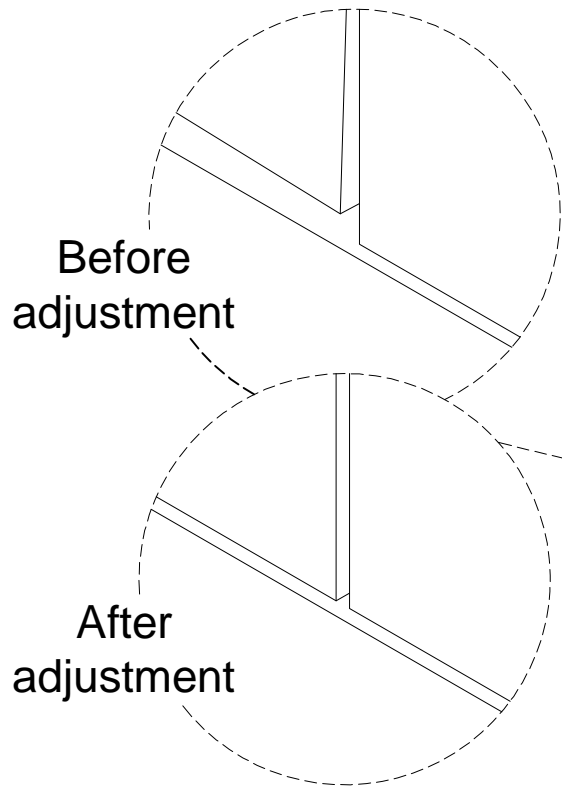
III x2

Step1: determine the location of the anti-overturning on the wall and then mark the position after confirming the product has been balanced.

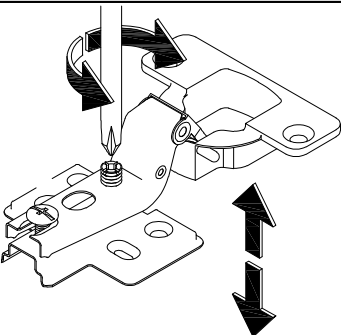
Step 2: drill the holes and then fixed the anchor (Q4) on the wall

Step 3: use screw (Q5) to fix the (Q2) and Strap (Q1) on the wall

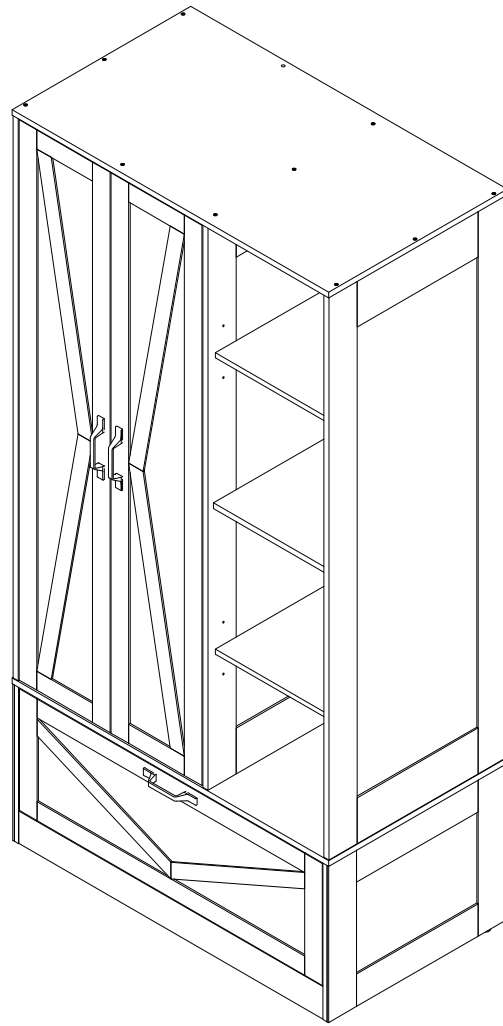
***IF THE DOOR ARE NOT BALANCE**



Adjust the door
running back
and front



Adjust the
door left
and right



GUARANTEE

Storage cabinet offers a 90-days warranty that begins on the date of the original purchase and applies to problems caused by the manufacturer. For questions, assistance, or support, please contact the Customer Service by e-mail with your order number and details. We will send you further information about the solution.