

Shoe Cabinet

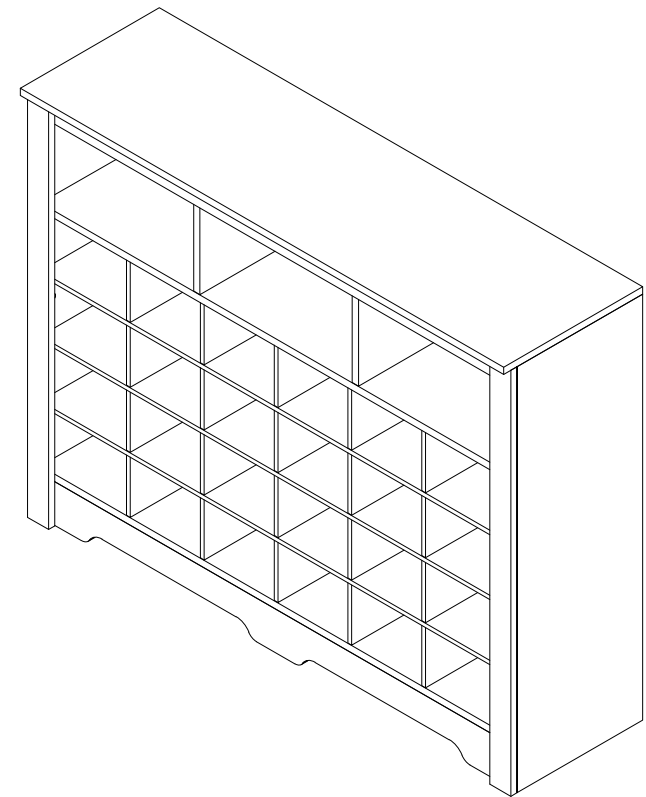
Assembly Instructions - Please keep for future reference

Dimensions

Width-45inch






Depth-13inch

Height-35inch



Important-Please read these instructions fully before starting assembly










1. Thank you for choosing *our products*.

-  • Read instructions, cover to cover
-  • Have 2-4 adults on hand for assembly *depending on product size*
-  • Do not assemble *directly* on flooring or carpet
-  • Assemble on a clean non-marring surface (*example*: packing foam)
-  • Save all packaging until finished

3. Assembly Notice:

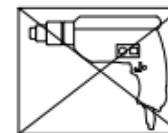
- If you encounter any problems during assembly and find that you cannot continue, rest assured we will help you solve the situation as soon as possible. Simply keep all of the parts of the product stored in a safe place and contact us immediately so we may assist you further.
- Once you have opened your package, remove all inner hardware packages and take the parts out. One by one, Place the parts out neatly in front of you, then refer to the instructions to ensure no parts are missing. If any pieces are found missing, please carefully look in the box first, as the hardware packaging might have torn making the hardware spill in the box.
- **IMPORTANT:** When setting up your product, **DO NOT INSTALL THE SCREWS ALL THE WAY IN THE BEGINNING.** Place each screw into their proper hole and use your hand to twist the screw halfway. Twist all the screws in halfway to ensure the holes will match up properly and the product is level on the ground. When everything seems fitted, then tighten the screws.
- When you have completed assembly, we suggest you have more than one person to assist you with lifting and placing the product.

Care & Maintenance

-  • Do not put hot items directly on furniture surface
-  • Do not clean furniture with harsh cleansers or polish
-  • Do not place furniture under direct sunlight
-  • Do not place furniture near heating or cooling vents
-  • Do not write on furniture without a padded barrier to protect the surface
-  • Do not place furniture outside. For indoor use only
-  • Not for commercial use. For residential use only
-  • Stains may be removed with mild soap solution and damp cloth
-  • Children should not climb or jump on the furniture
-  • Dust and pick-up spills using a clean, non-colored, lint-free cloth

Caution

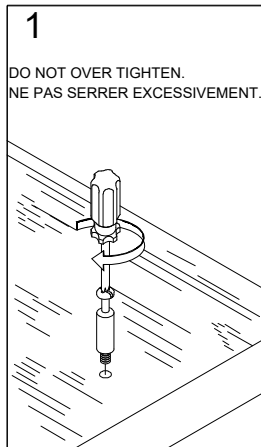
- This product contains small components. Please ensure that they are kept away from small children.
- Do not use power tools to assemble your furniture. Power tools may strip or damage the parts.



Using Camlocks

Step 1

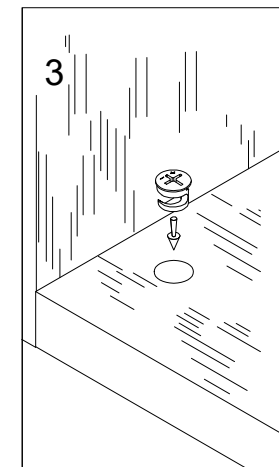
Connect the male camlock as directed in the assembly instructions using a screwdriver.



Step 3

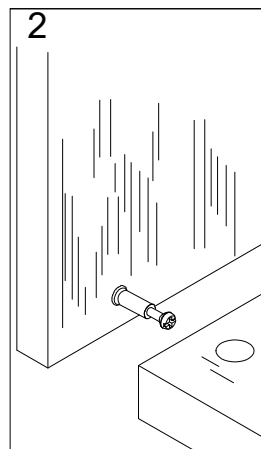
Insert the female camlock as shown in the instruction.

Note: ensure that the arrow on the top of the camlock points towards the entry hole for the male camlock.



Step 2

Push the male camlock into the entry hole.

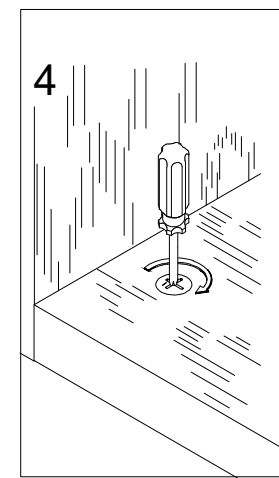


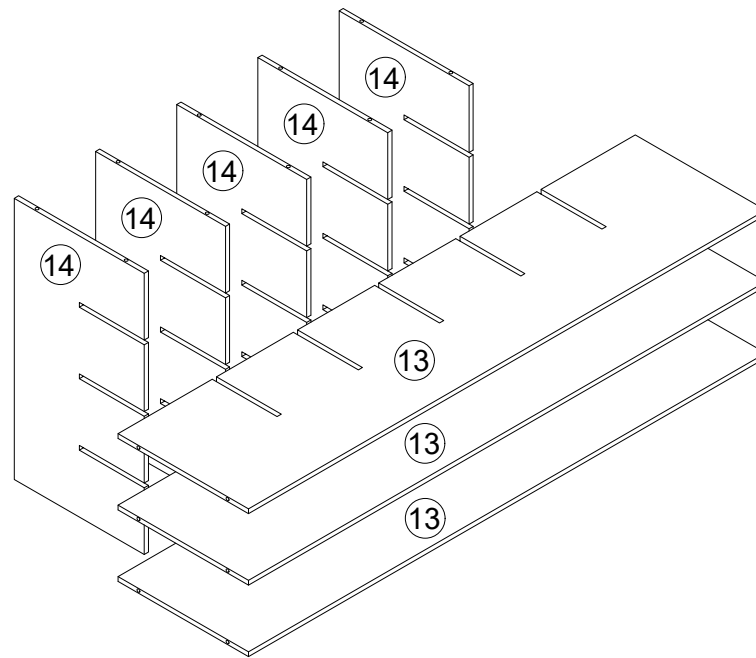
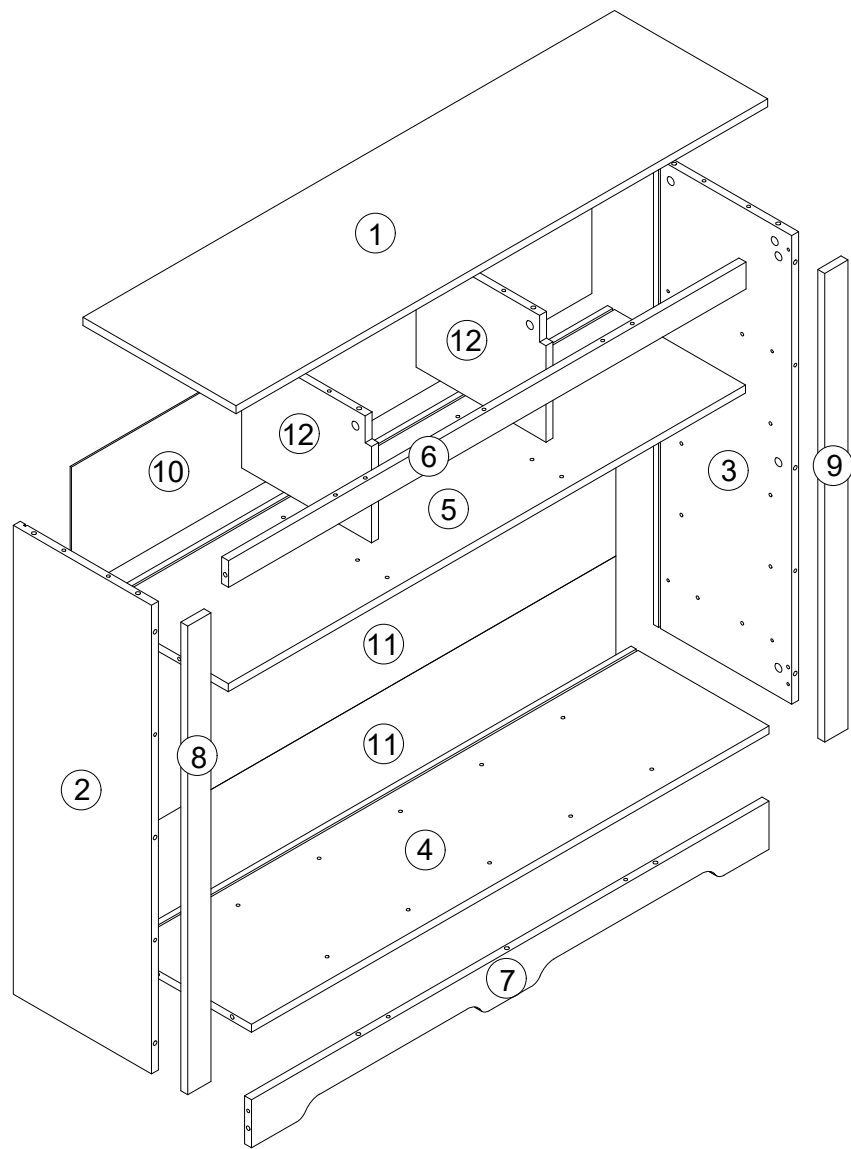
Step 4

Turn the female camlock clockwise with a screwdriver.

You should feel a click when the camlock is locked in place.

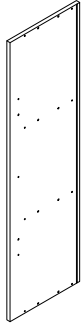
The joint is now secure.





UNIT:MM
PACKAGE-A

① x1



1146x330x15mm

② x1



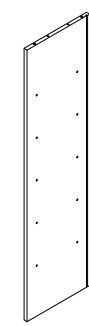
875x289x15mm

③ x1



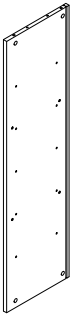
875x289x15mm

④ x1



1115x297x15mm

⑤ x1



1115x297x15mm

⑥ x1



1115x50x15mm

⑦ x1



1115x90x15mm

⑧ x1



875x50x15mm

⑨ x1



875x50x15mm

⑩ x1



1122x237x2.5mm

⑪ x2



1122x266x2.5mm

⑫ x2



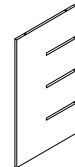
230x280x15mm

⑬ x3



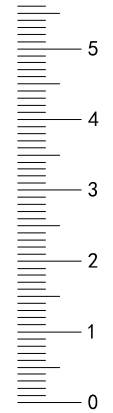
1115x281x9mm

⑭ x5

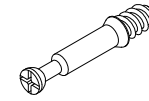


525x280x9mm

PACKAGE-B



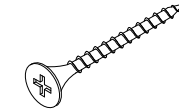
UNIT:MM



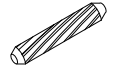
Ø6*35mm
A x29+2



Ø15*9mm
B x29+2



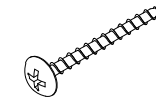
Ø4*40mm
C x6+1



Ø6*30mm
D x62+2



Ø20mm
E x14+2



Ø4*35mm
F x3



G x7+1



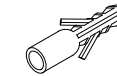
Ø3*14mm
H x14+2



I x12+2



J x4



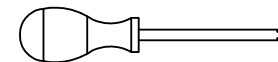
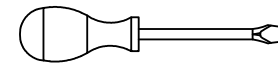
Ø6*30mm
K x2



L x2

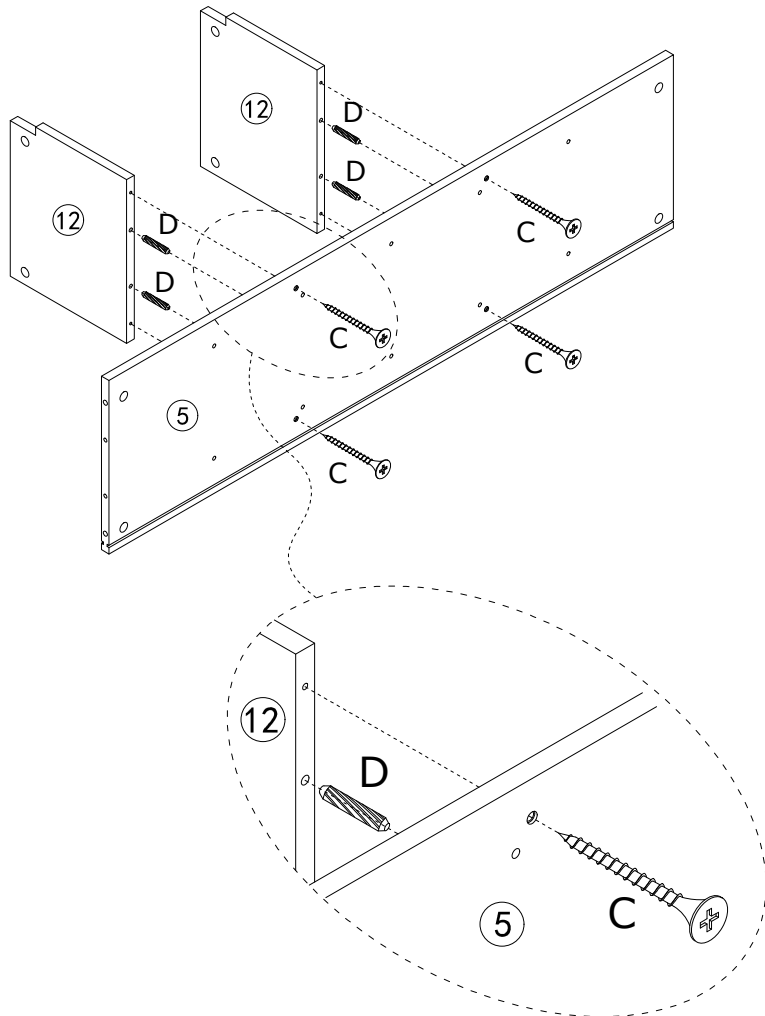




1113mm
M x1



Phillips screwdriver
(medium large)

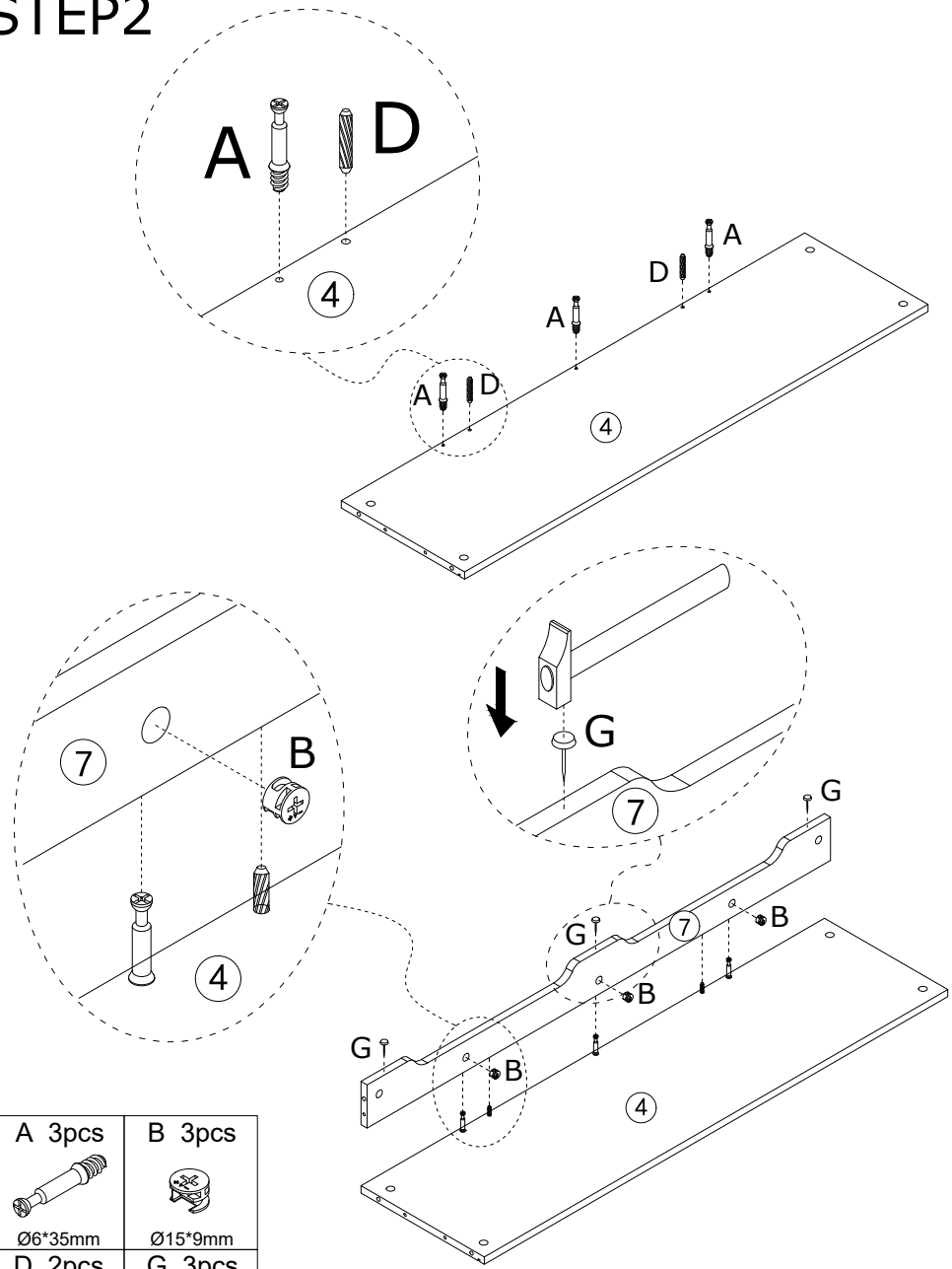
STEP1

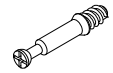

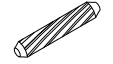



C 4pcs	D 4pcs
	
Ø4*40mm	Ø6*30mm

2

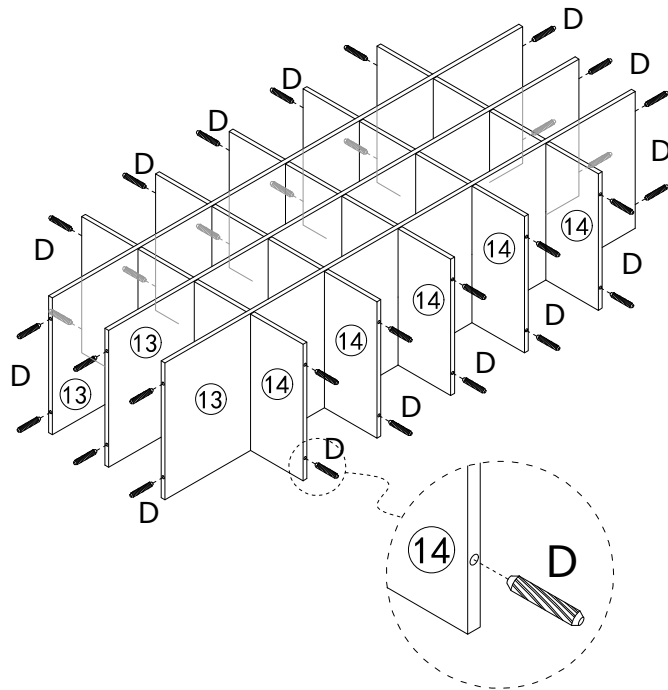
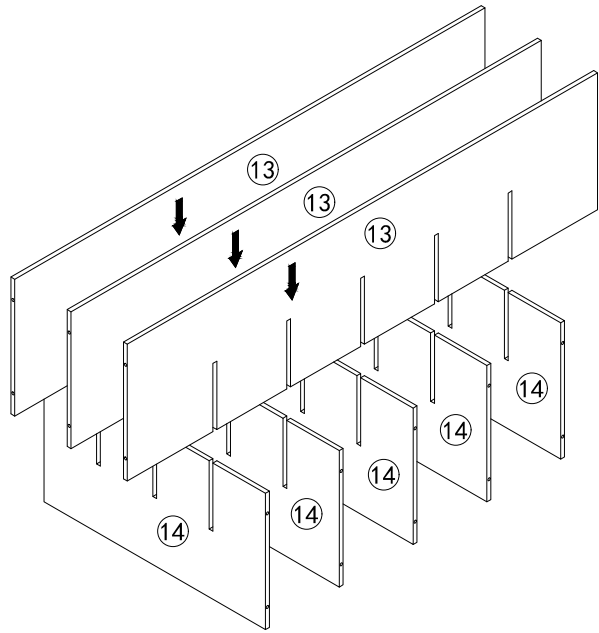
STEP2



A 3pcs	B 3pcs
	
Ø6*35mm	Ø15*9mm
D 2pcs	G 3pcs
	
Ø6*30mm	

3

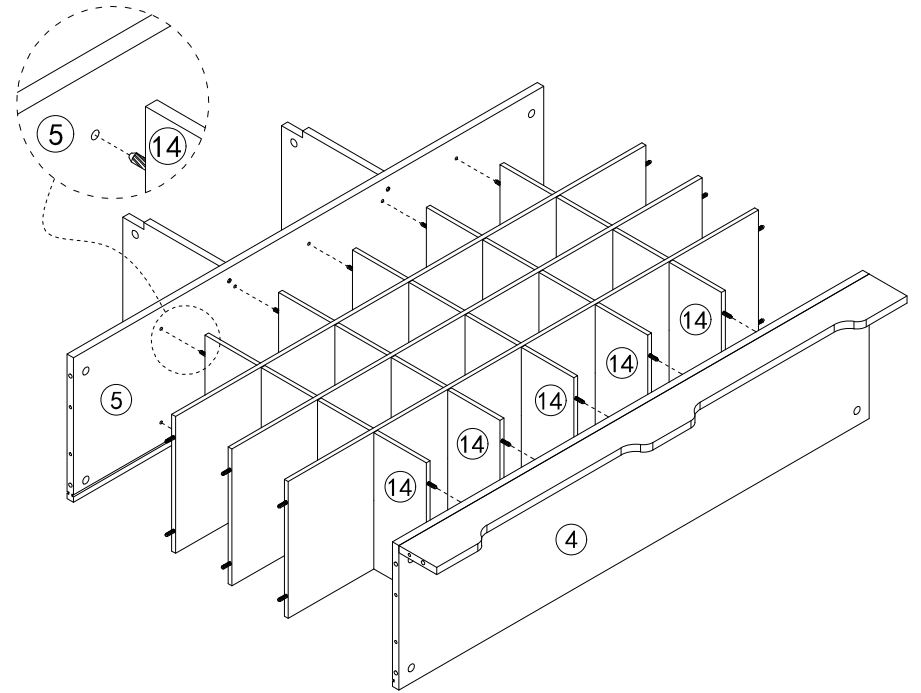
STEP3



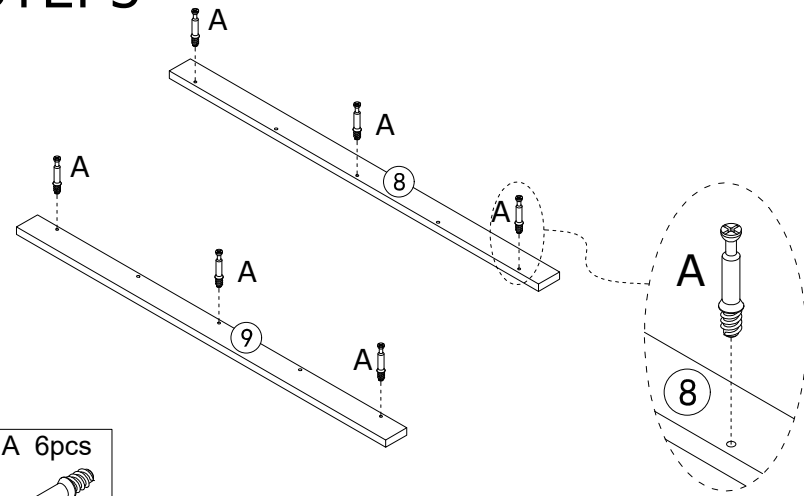
D 32pcs
Ø6*30mm

4

STEP4



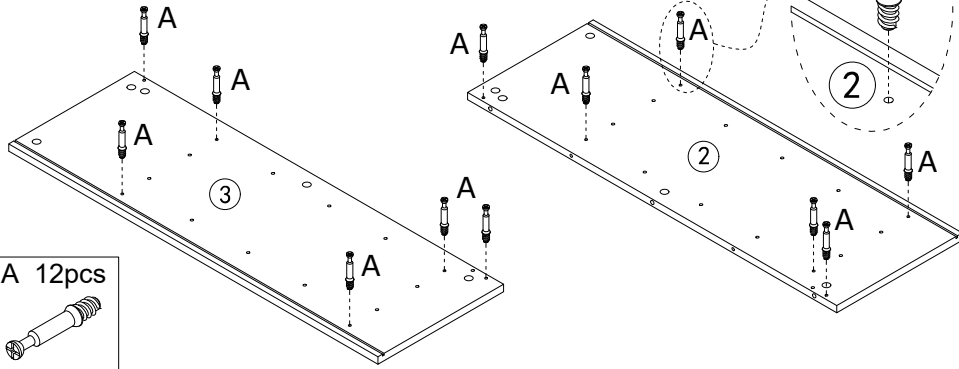
STEP5

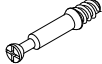


A 6pcs
Ø6*35mm

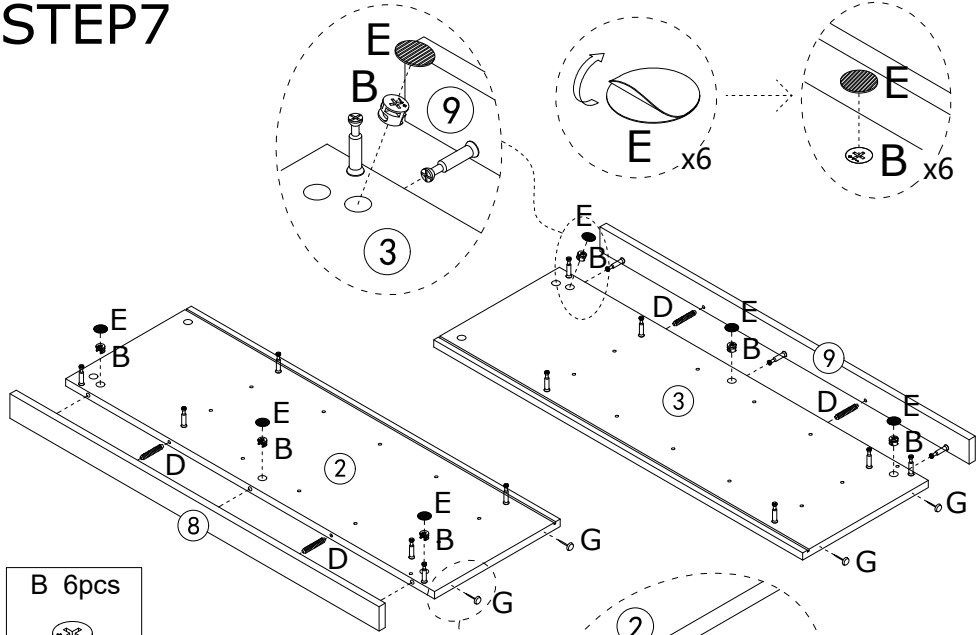
5


STEP6


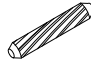



A 12pcs

 Ø6*35mm

STEP7

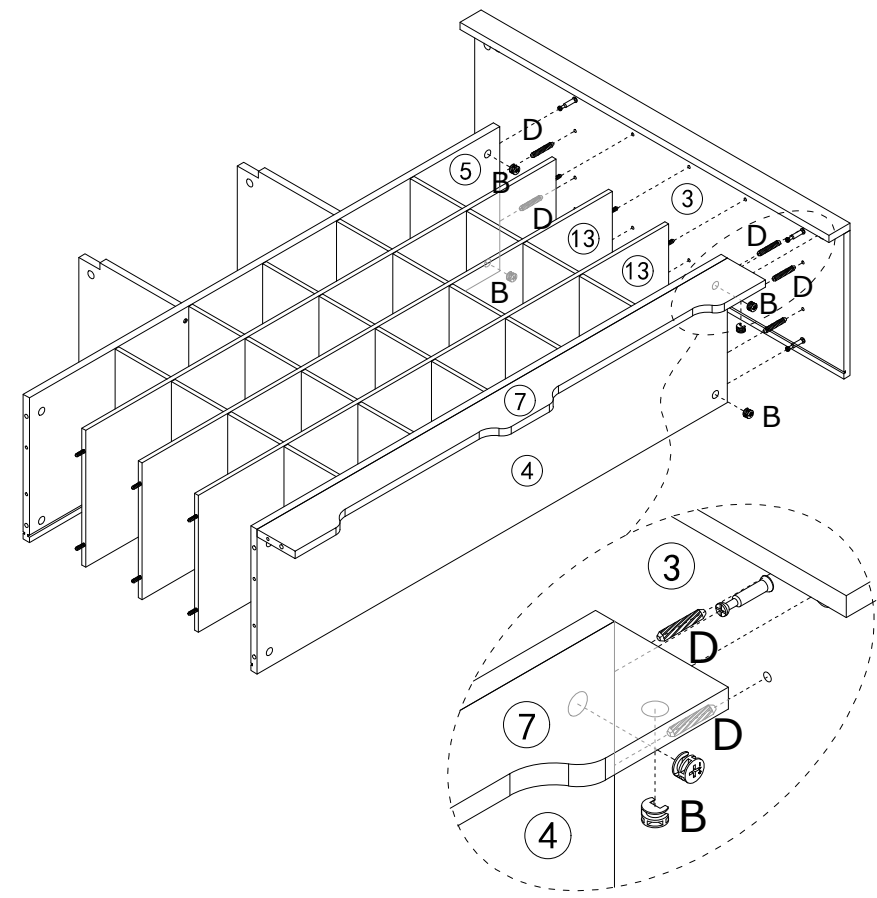



B 6pcs

 Ø15*9mm


E 6pcs  Ø20mm	D 4pcs  Ø6*30mm	G 4pcs 
--	--	---

6

STEP8

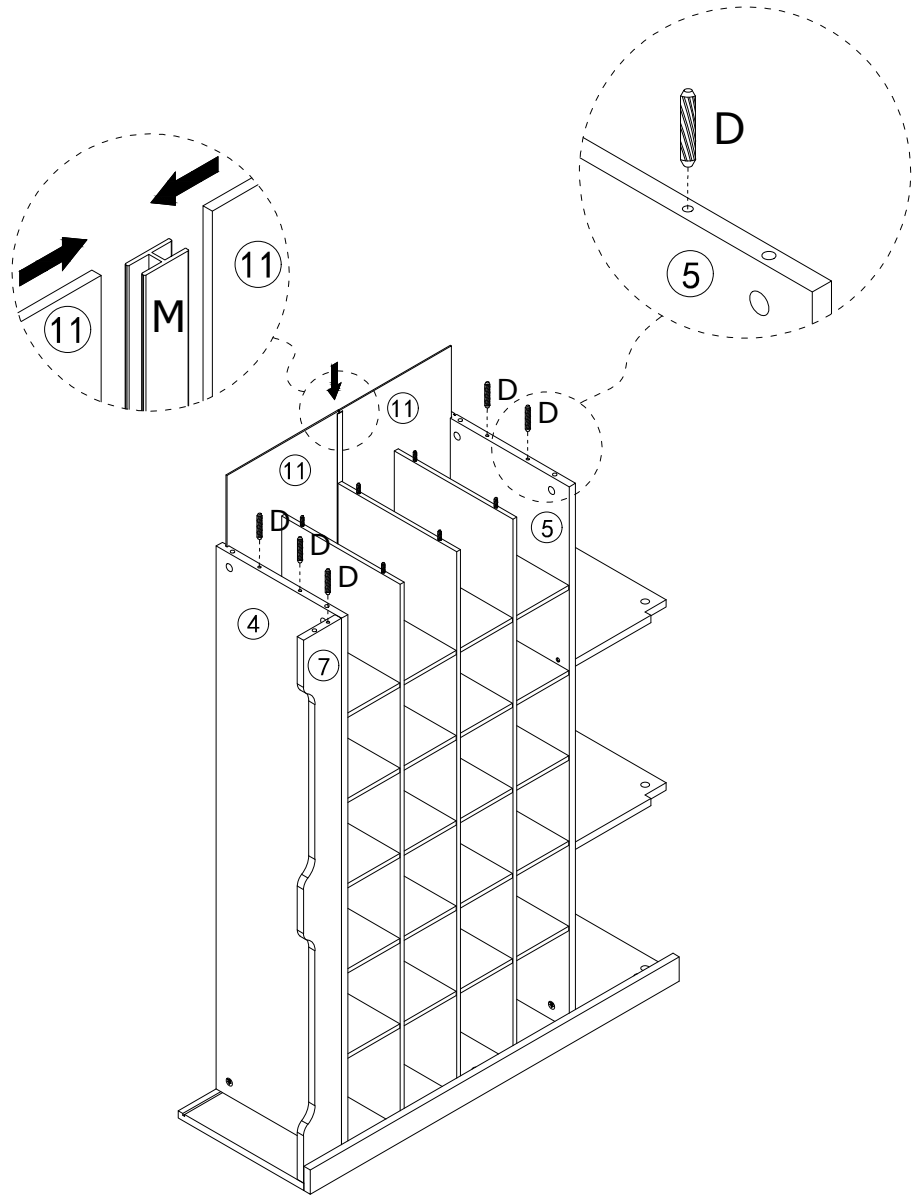




B 5pcs

 Ø15*9mm

D 5pcs

 Ø6*30mm

7

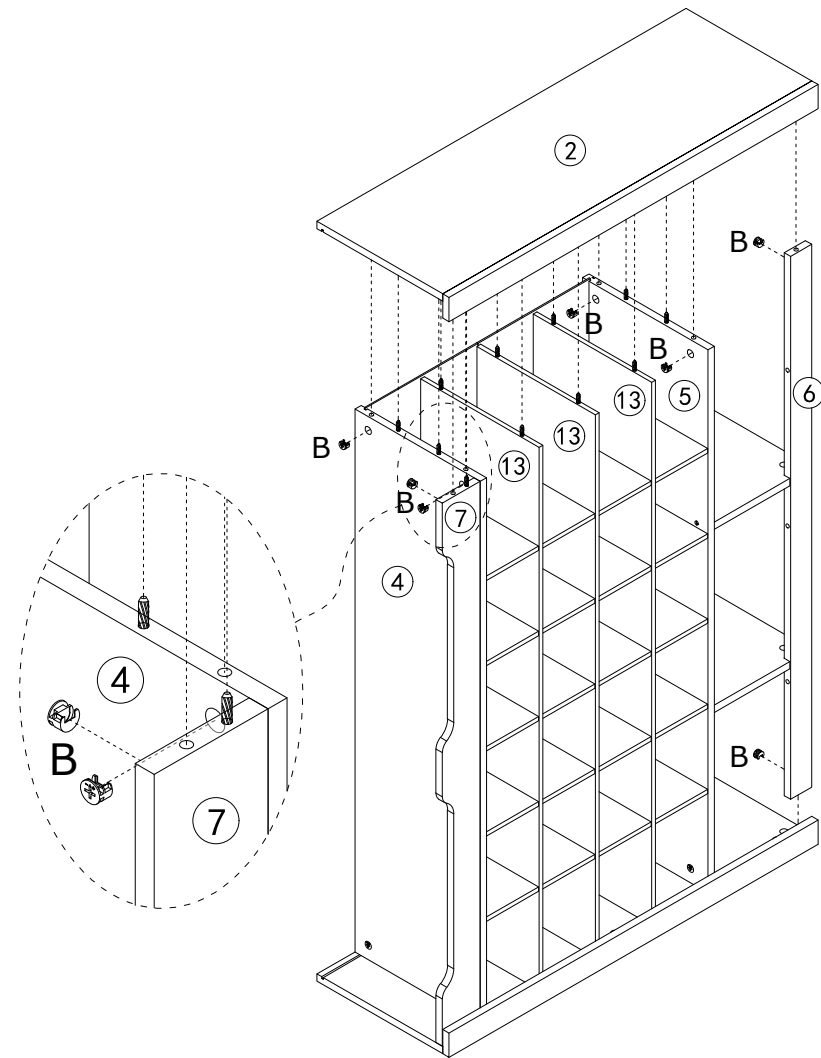
STEP9




D 5pcs	M 1pc
	
Ø6*30mm	1113mm

8

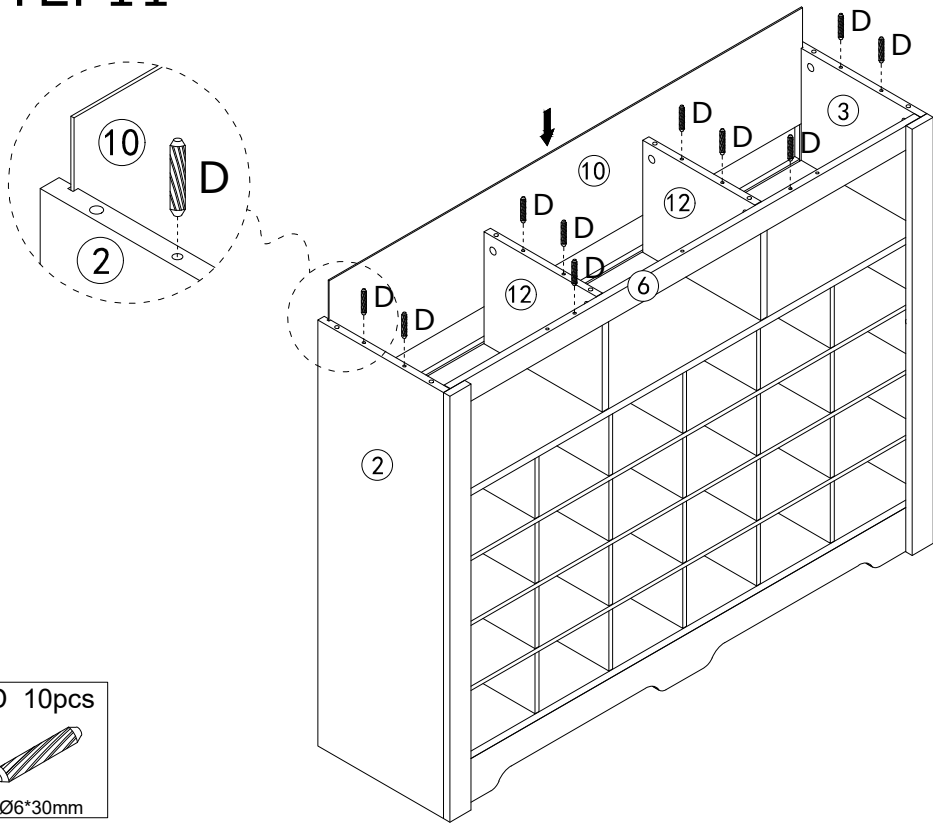
STEP10




B 7pcs

Ø15*9mm

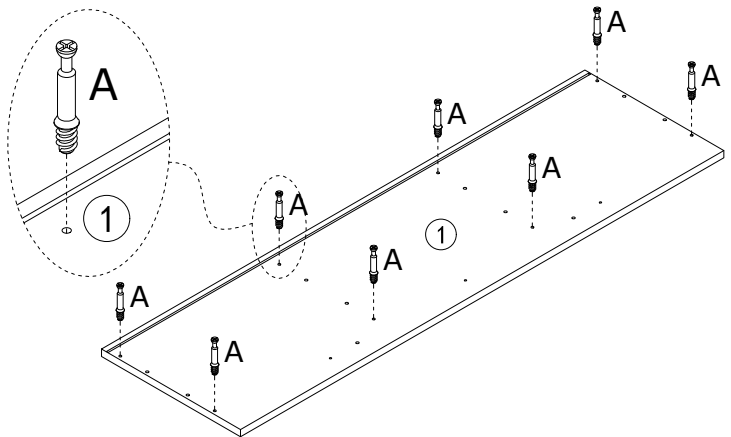
9

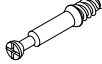
STEP11



D 10pcs

 Ø6*30mm

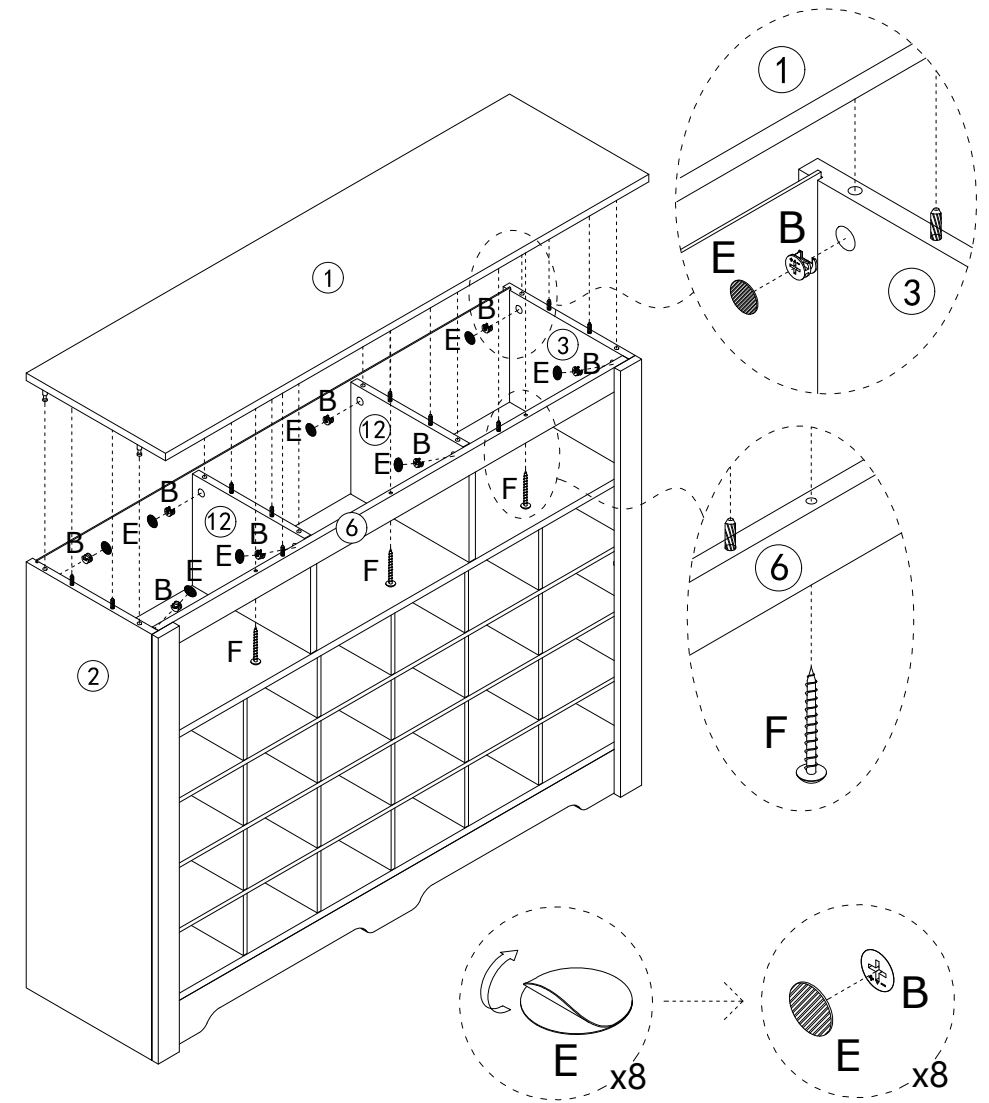
STEP12



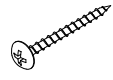


A 8pcs

 Ø6*35mm

10

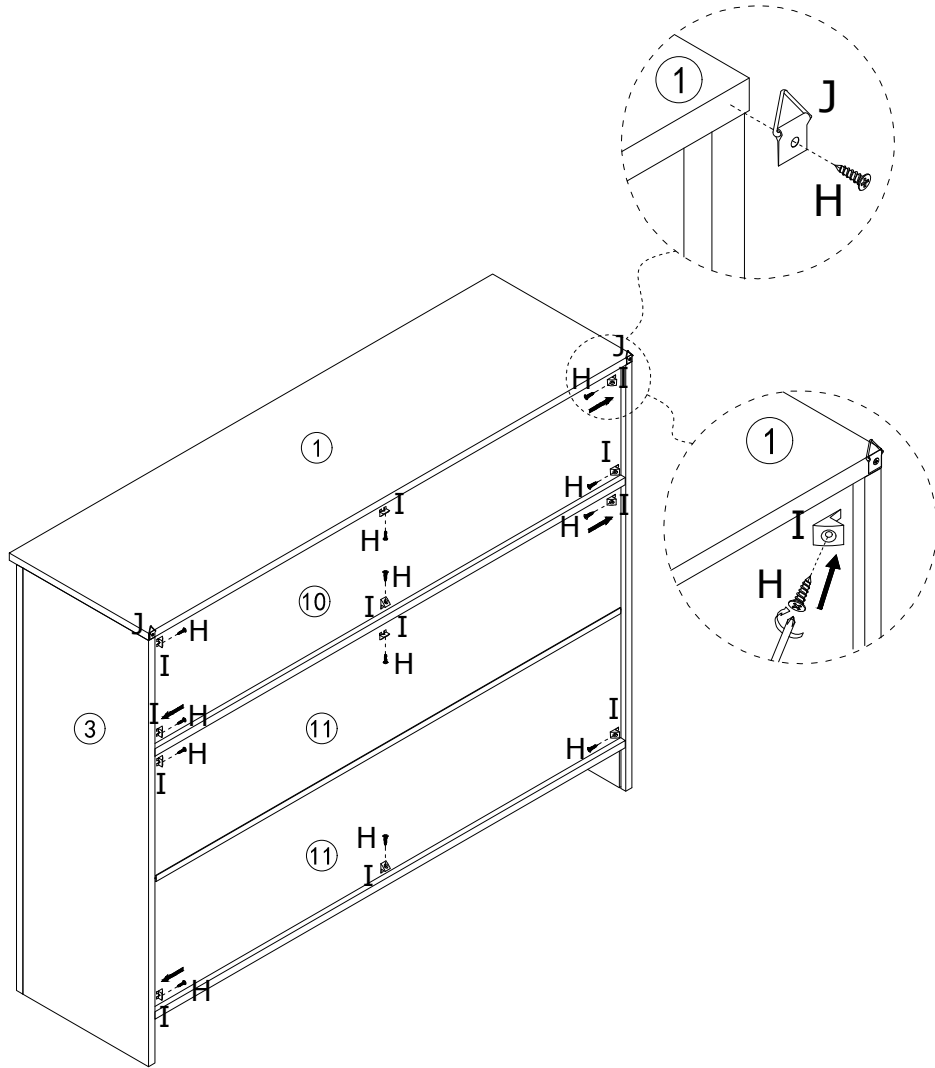
STEP13



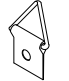


B 8pcs  Ø15*9mm	E 8pcs  Ø20mm	F 3pcs  Ø4*35mm
--	--	--

11

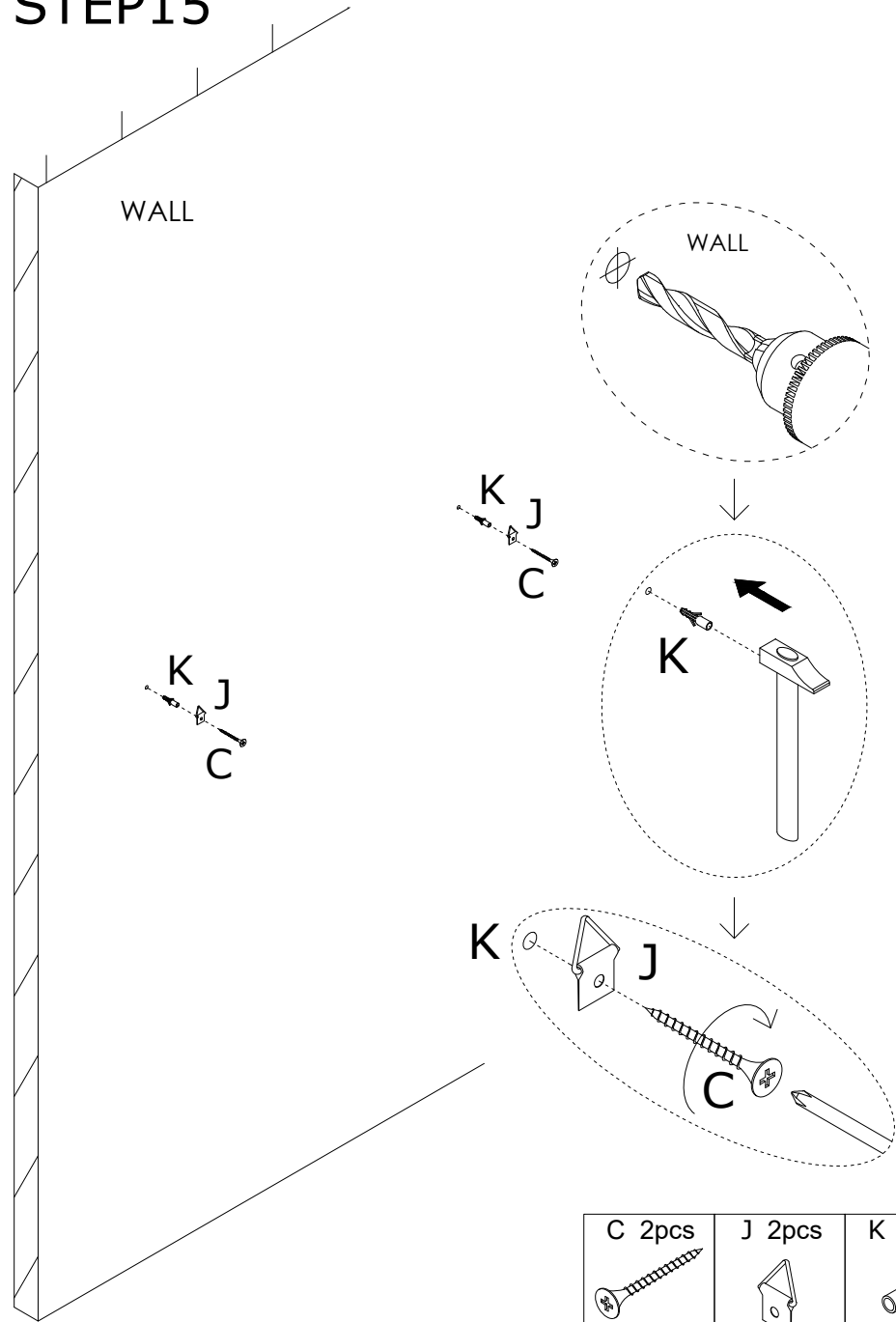
STEP14

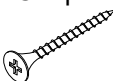
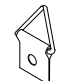



H 14pcs	I 12pcs	J 2pcs
		
Ø3*14mm		

12

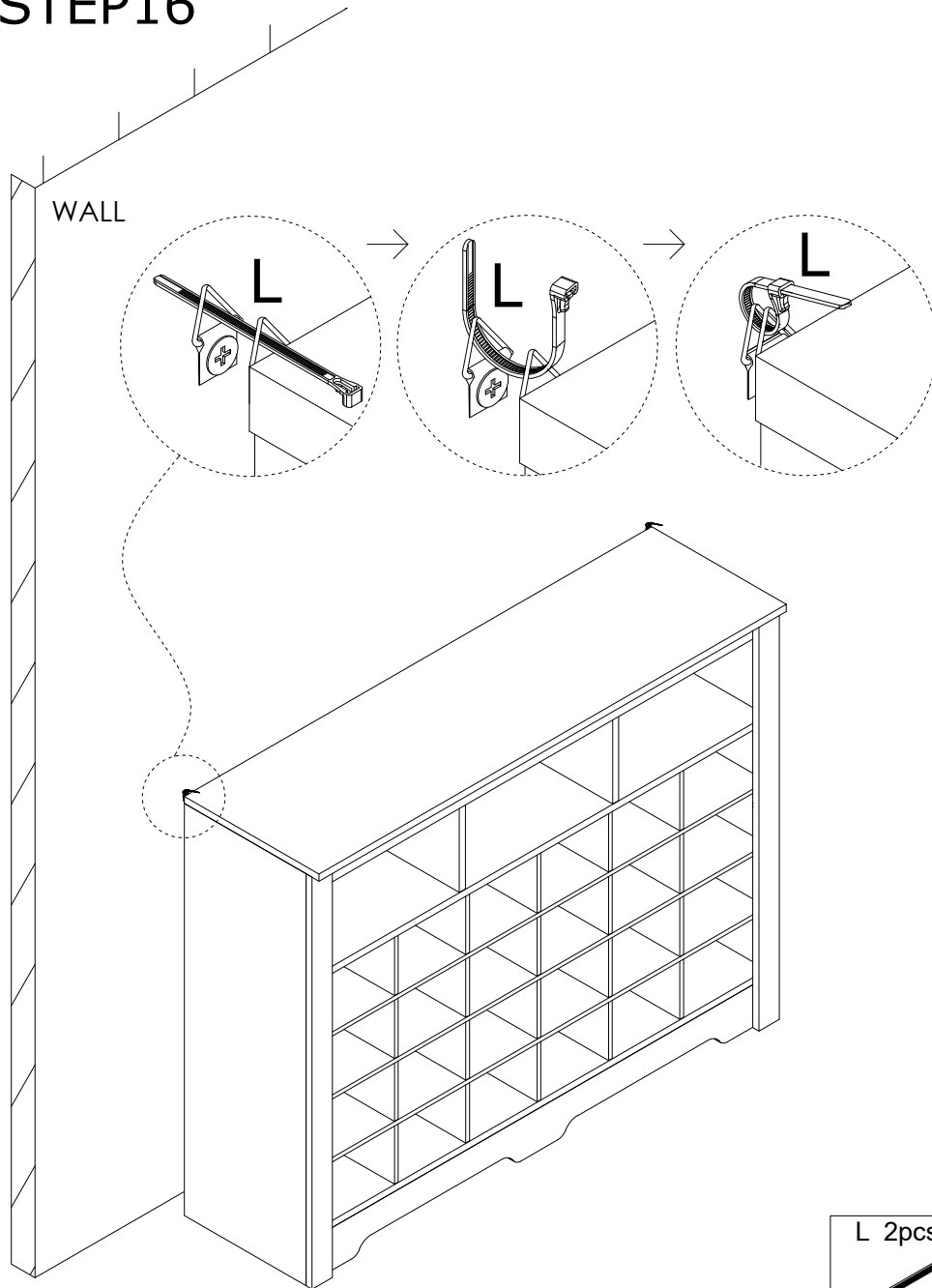
STEP15



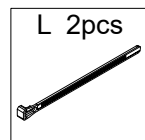
C 2pcs	J 2pcs	K 2pcs
		
Ø4*40mm		

13

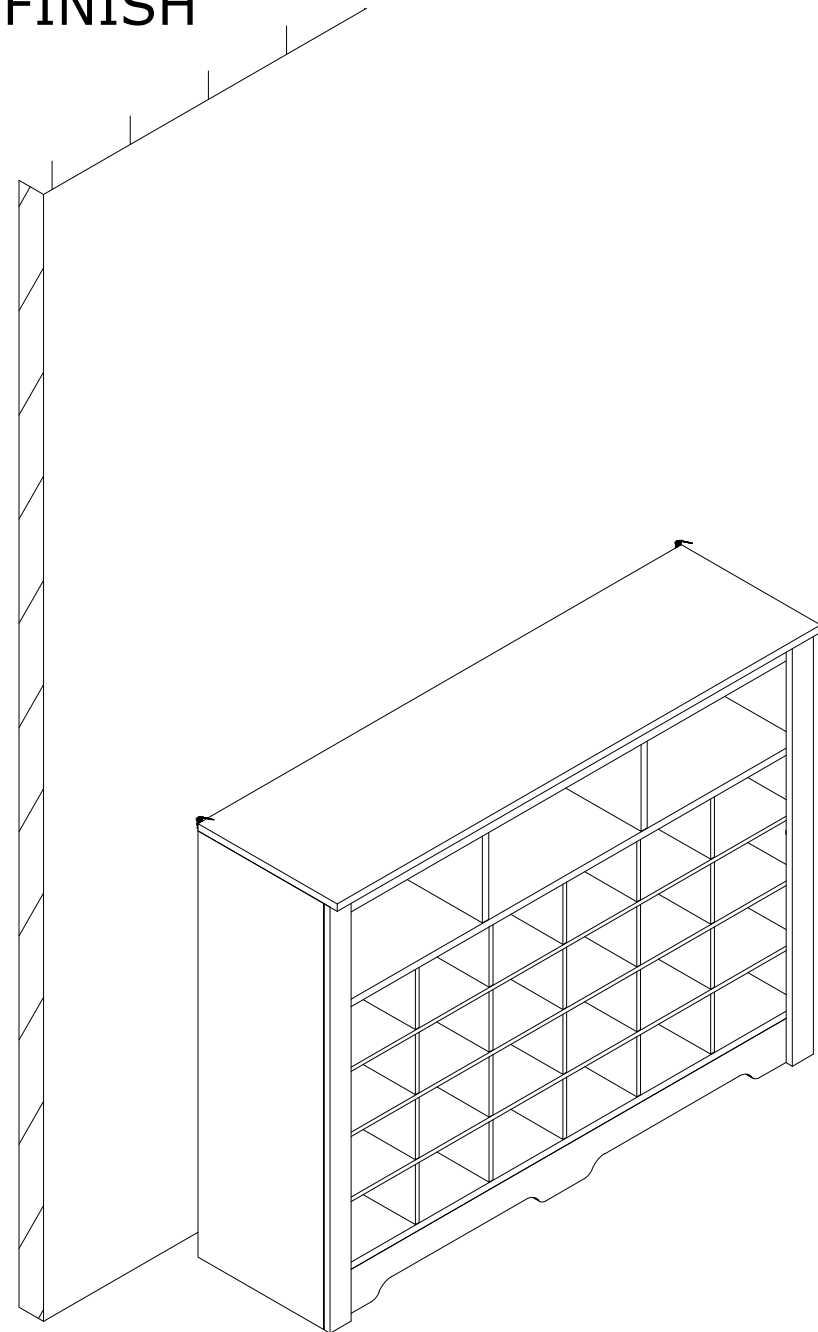
STEP16



14



FINISH



15