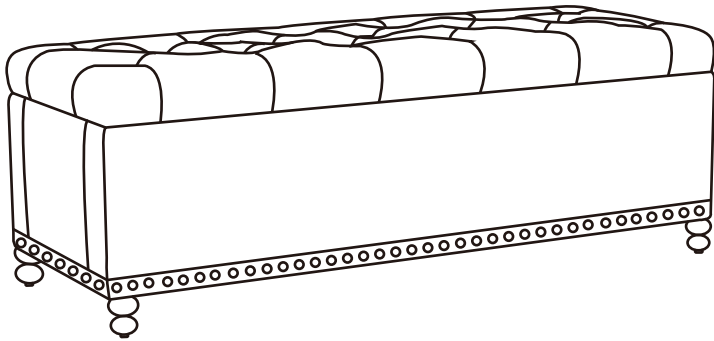
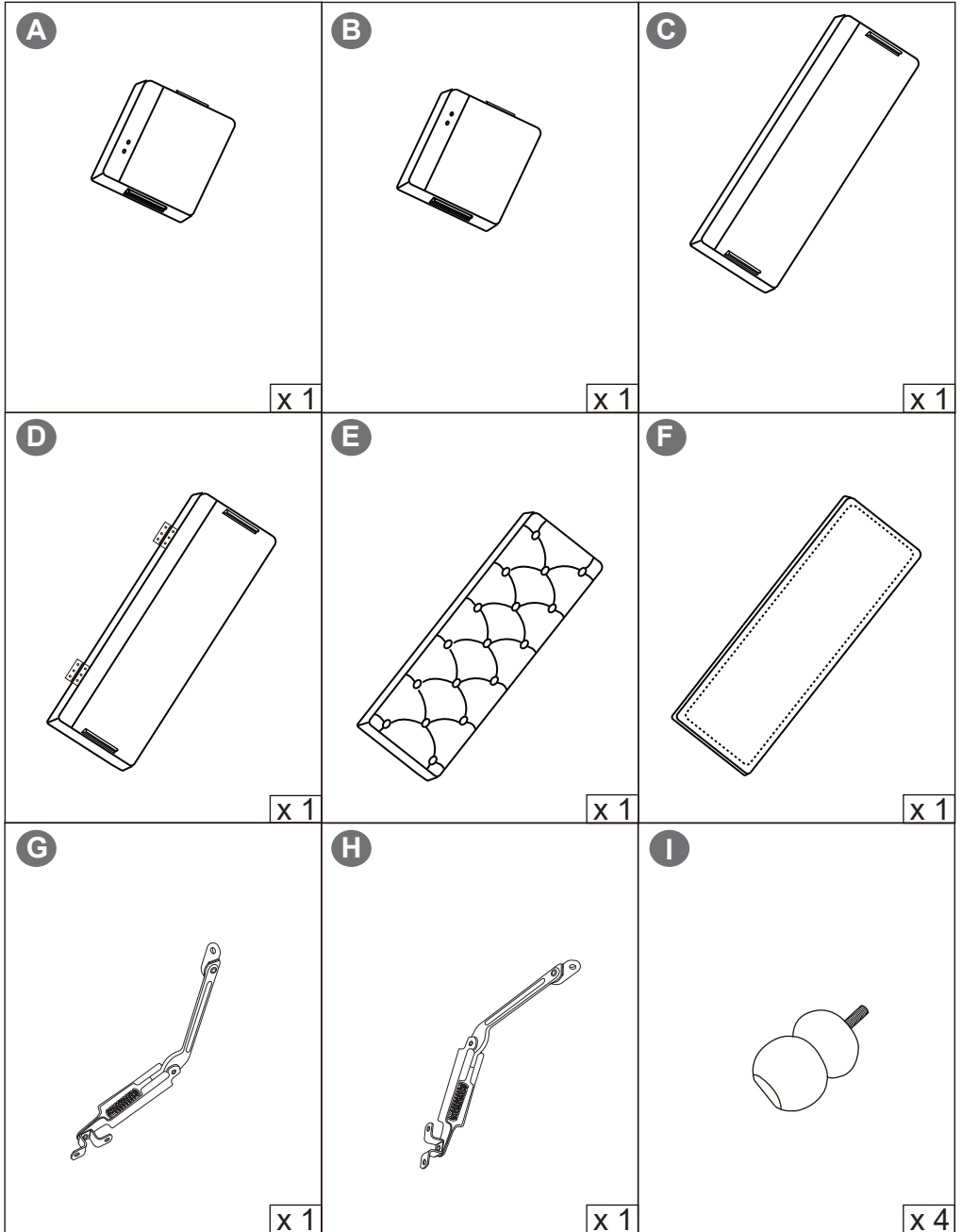

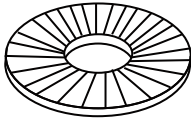
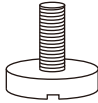
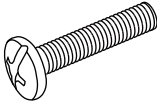
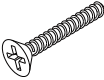
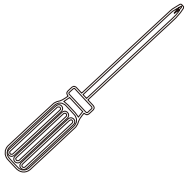


---

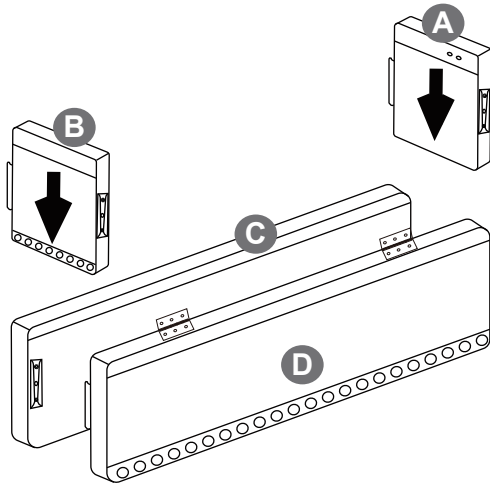
# Folding Storage



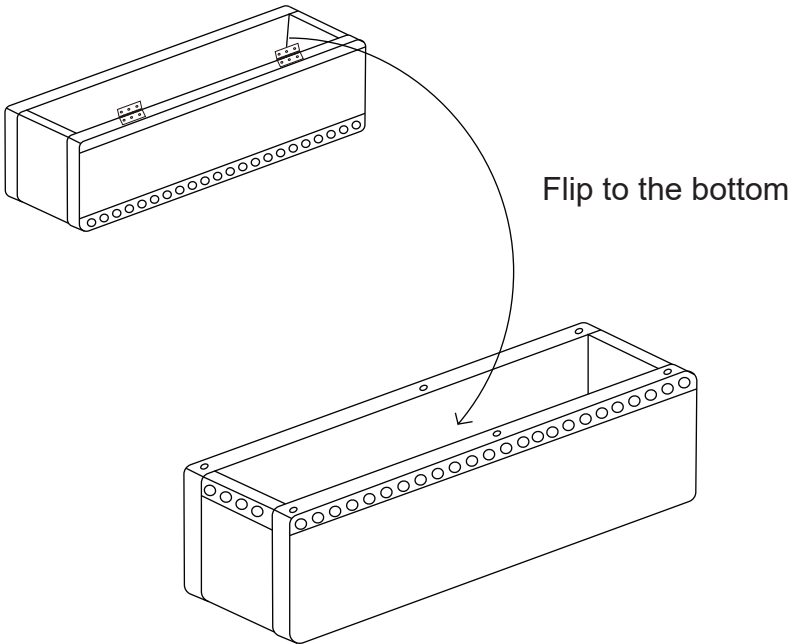


<p><b>J</b></p>  <p>x 2</p>	<p><b>K</b></p>  <p>x 4</p>	<p><b>L</b></p>  <p>x 4</p>
<p><b>M</b></p>  <p>x 2</p>	<p><b>N</b></p>  <p>x 14</p>	<p><b>O</b></p>  <p>x 1</p>

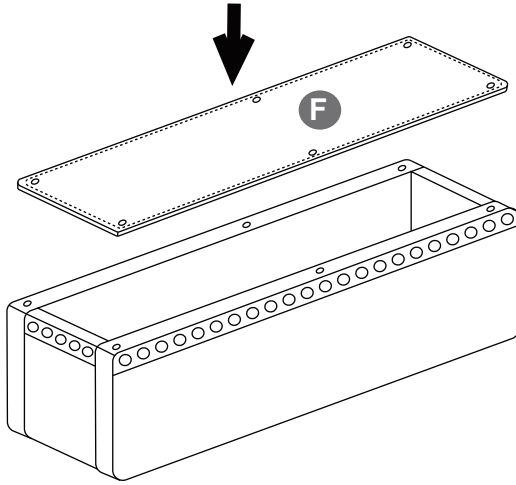
1



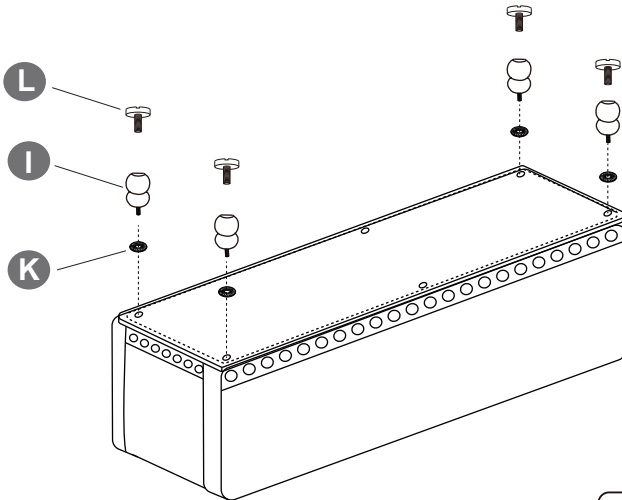
2



3



4



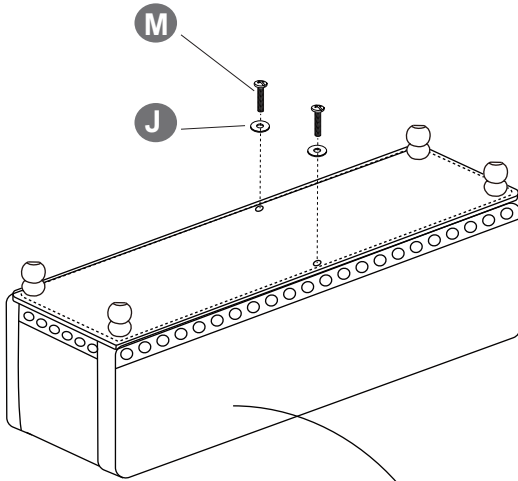
Do not tighten screws completely at first,  
just in case the parts need to be adjusted.

**L**  4PCS

**K**  4PCS

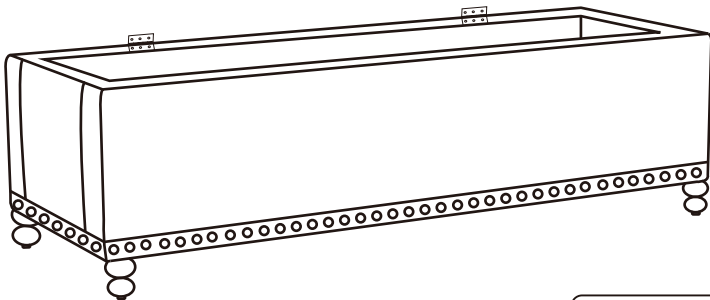
5

Do not tighten screws completely at first, just in case the parts need to be adjusted.



6

Flip

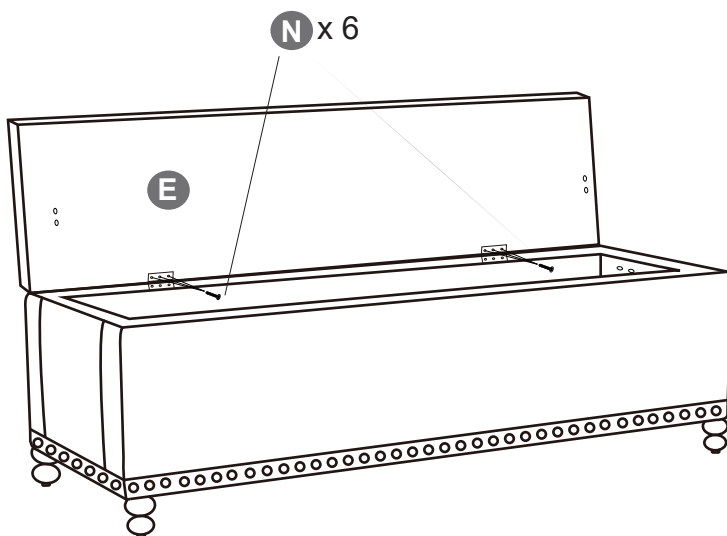


**J**  2PCS

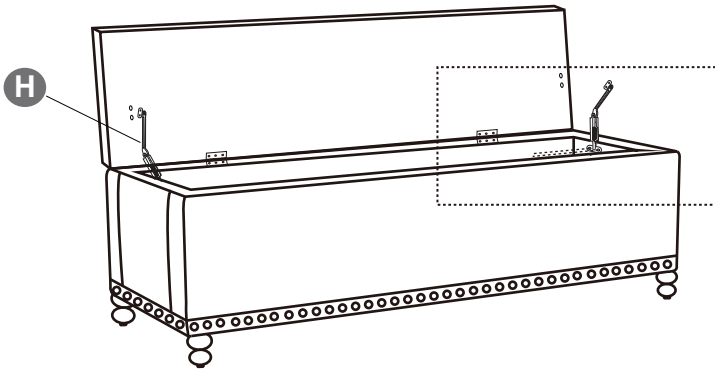
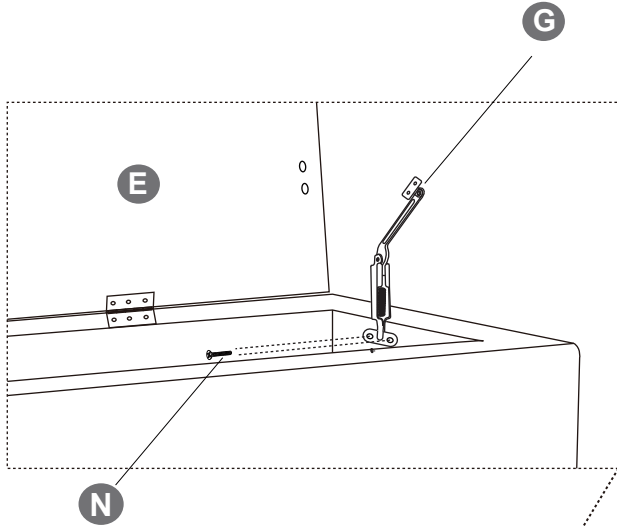
**M**  2PCS

7

Do not tighten screws completely at first, just in case the parts need to be adjusted.



8



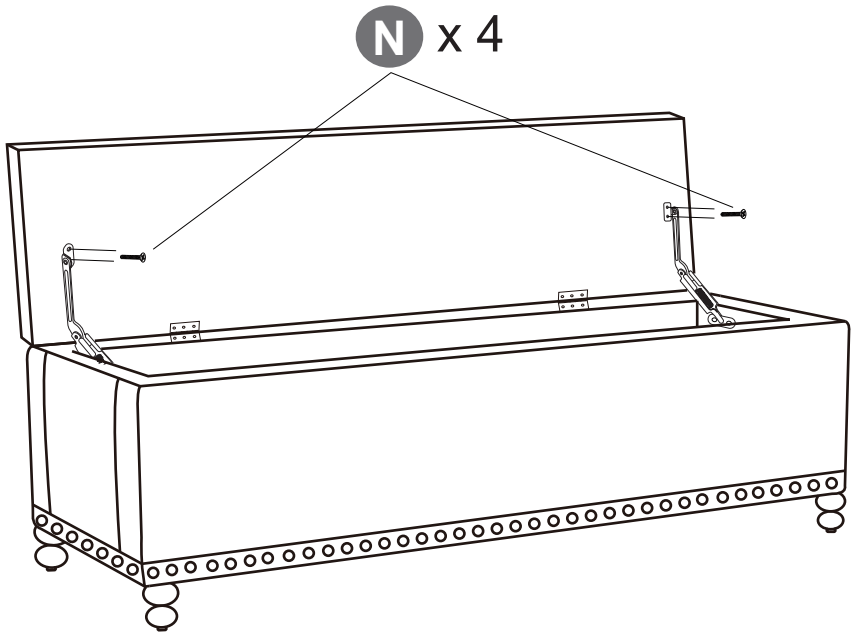
**N**



4PCS

9

Do not tighten screws completely at first,  
just in case the parts need to be adjusted.



9



---

10

