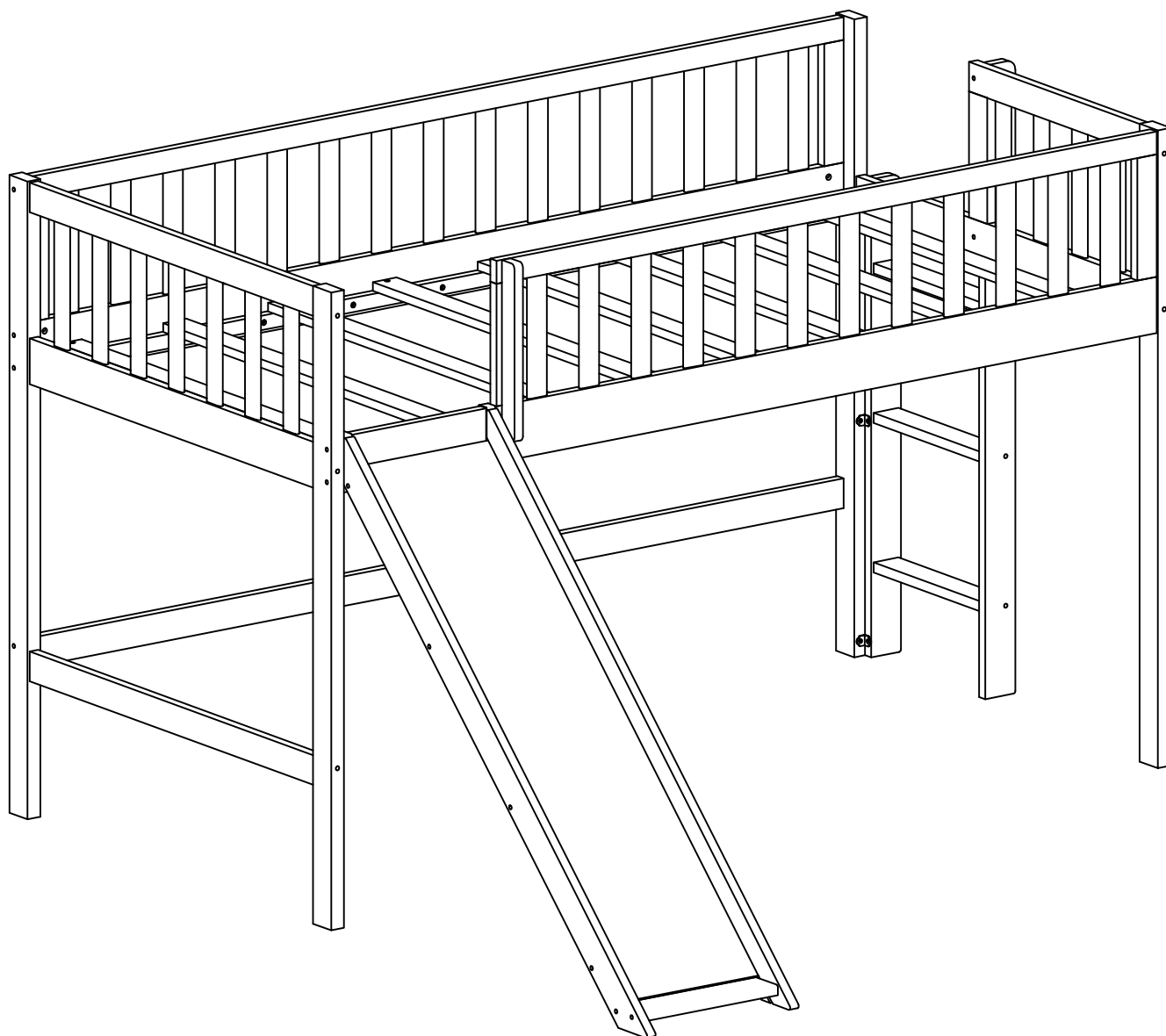


ASSEMBLY INSTRUCTIONS

TWIN BUNK BED WITH SLIDE BRIDGE



PLEASE DO NOT RETURN PRODUCT TO THE STORE.

If you have any problem or concerns, please feel free to contact our customer service department. We will reply you as soon as possible.



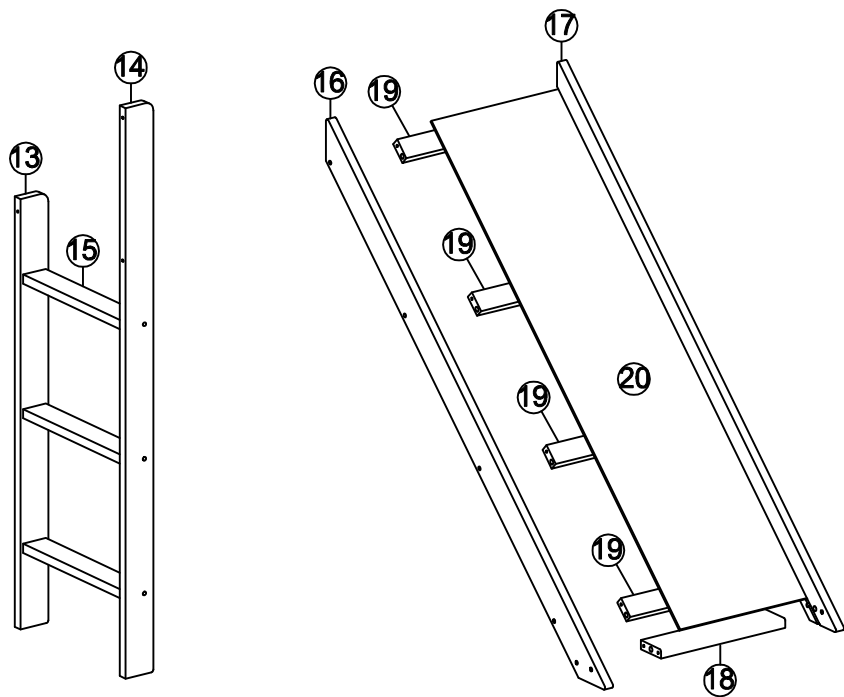
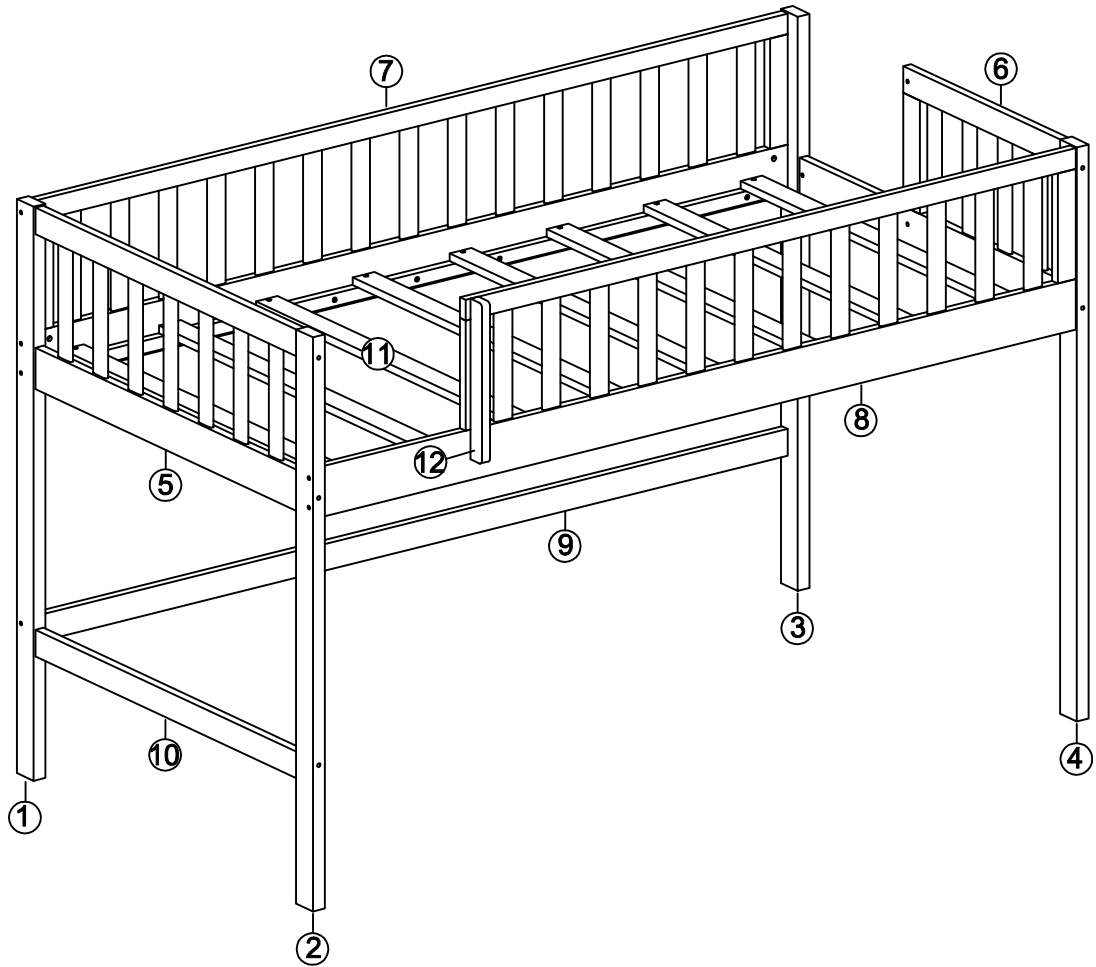
E-Mail: wmcsr@comptree.net

Tel: 626-912-8886 Ext.100

WF196418

ASSEMBLY INSTRUCTIONS

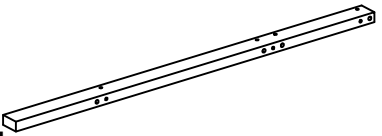
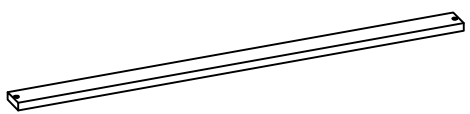
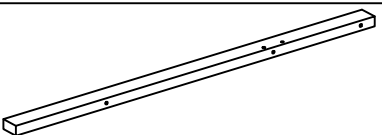

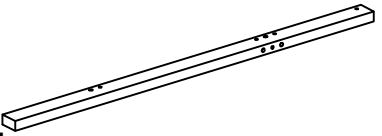
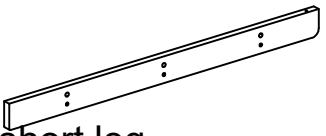
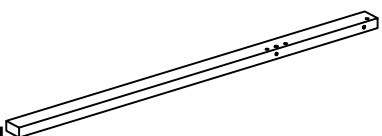
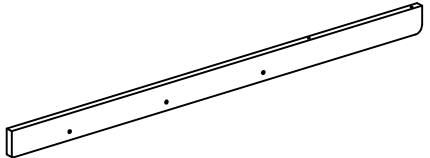
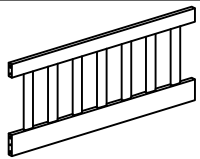

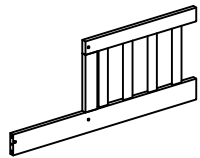
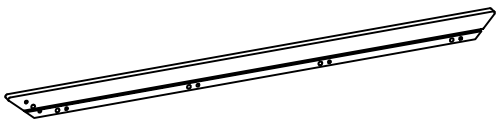
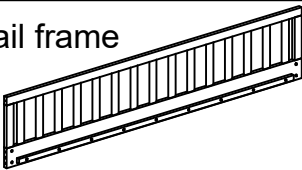
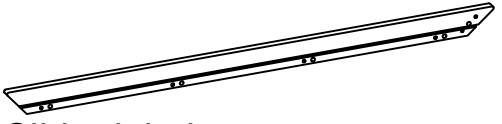
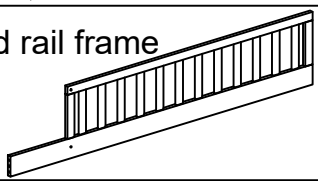

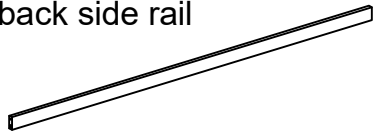
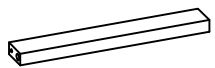

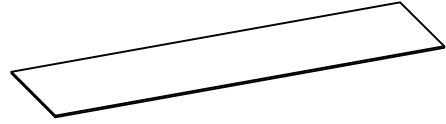
DETAIL VIEW



ASSEMBLY INSTRUCTIONS



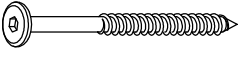


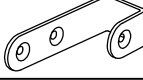





PARTS LISTS

WF196418

1	Bed leg 	1pc	11	Slats 	8pcs
2	Bed leg 	1pc	12	Front guard rail support 	1pc
3	Bed leg 	1pc	13	Ladder short leg 	1pc
4	Bed leg 	1pc	14	Ladder long leg 	1pc
5	Left head board 	1pc	15	Ladder steps 	3pcs
6	Right head board 	1pc	16	Slide left leg 	1pc
7	Back guard rail frame 	1pc	17	Slide right leg 	1pc
8	Front guard rail frame 	1pc	18	Slide bottom support 	1pc
9	Bottom back side rail 	1pc	19	Slide support 	4pcs
10	Bottom left side rail 	1pc	20	Slide panel 	1pc

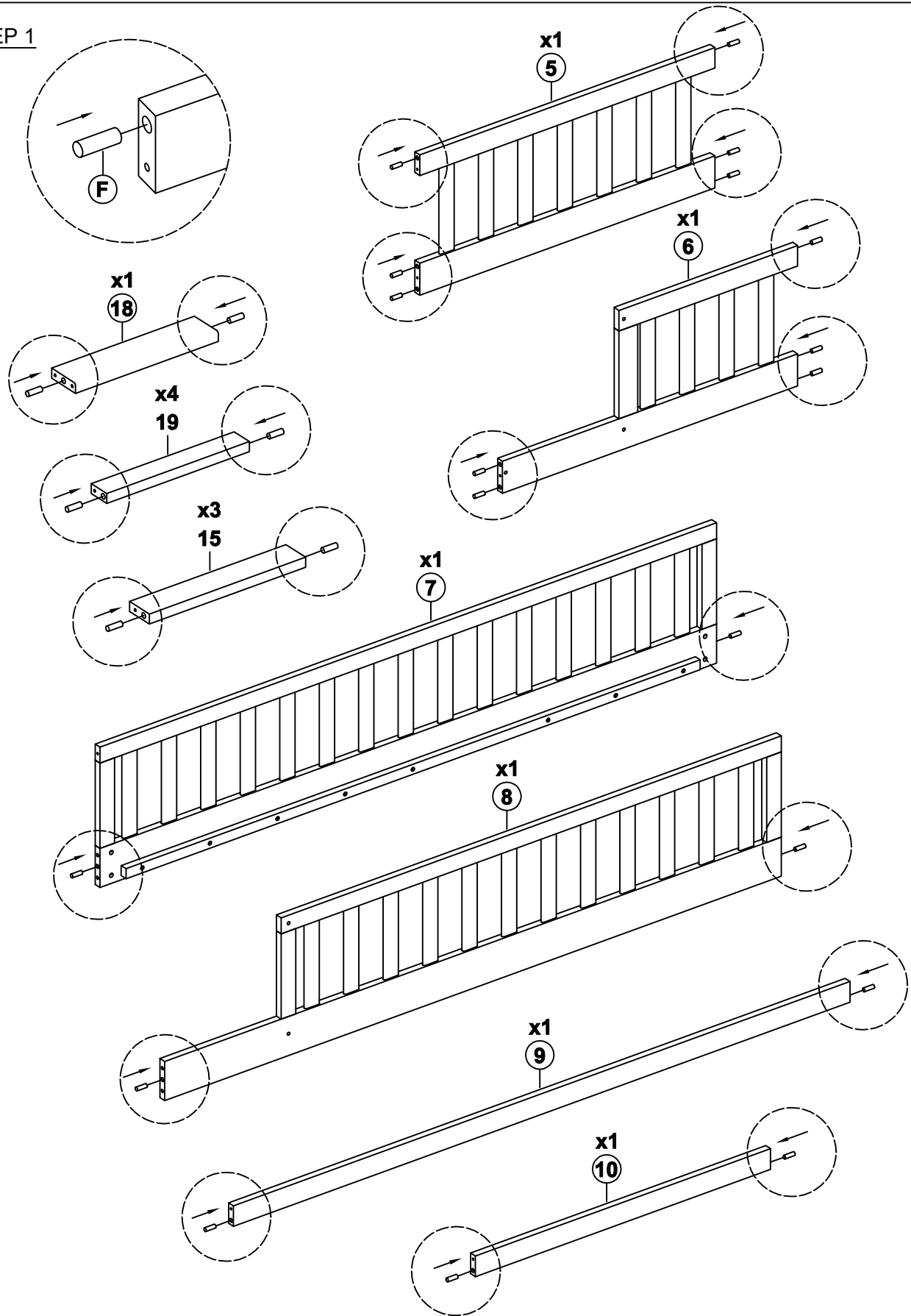
ASSEMBLY INSTRUCTIONS

HARDWARE LIST

A	1/4x70		8PCS	G	Ø4x15		10PCS
B	6.5x110		9PCS	H	Ø4x30		16PCS
C	6.5x80		5PCS	I	70x18x2		2PCS
D	6.5x60		21PCS	J	20x20x2		2PCS
E	6.5x50		2PCS	K	4x70		1PCS
F	Ø10x40		35PCS				

ASSEMBLY INSTRUCTIONS

STEP 1



H

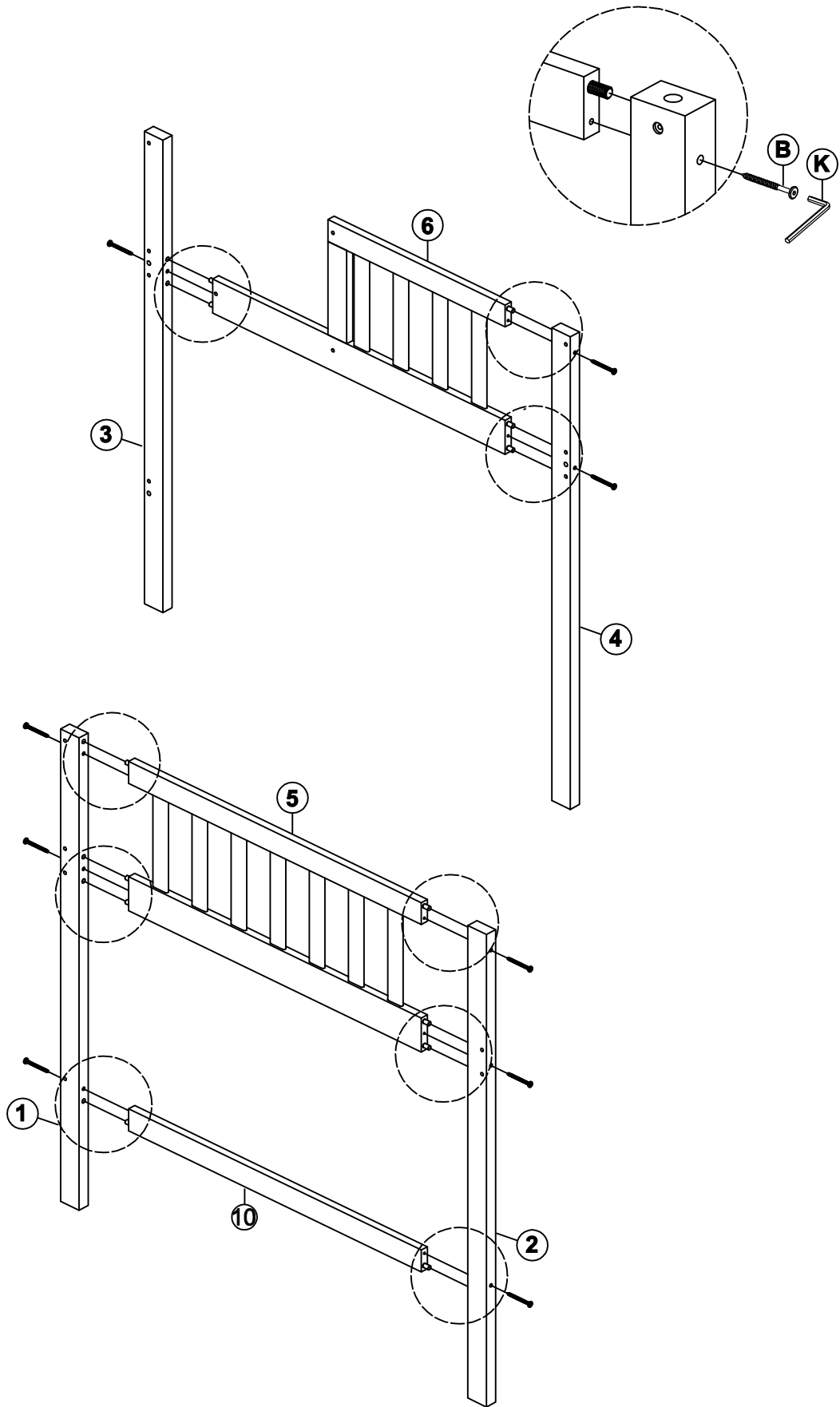
Ø10x40


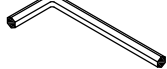


35PCS

ASSEMBLY INSTRUCTIONS

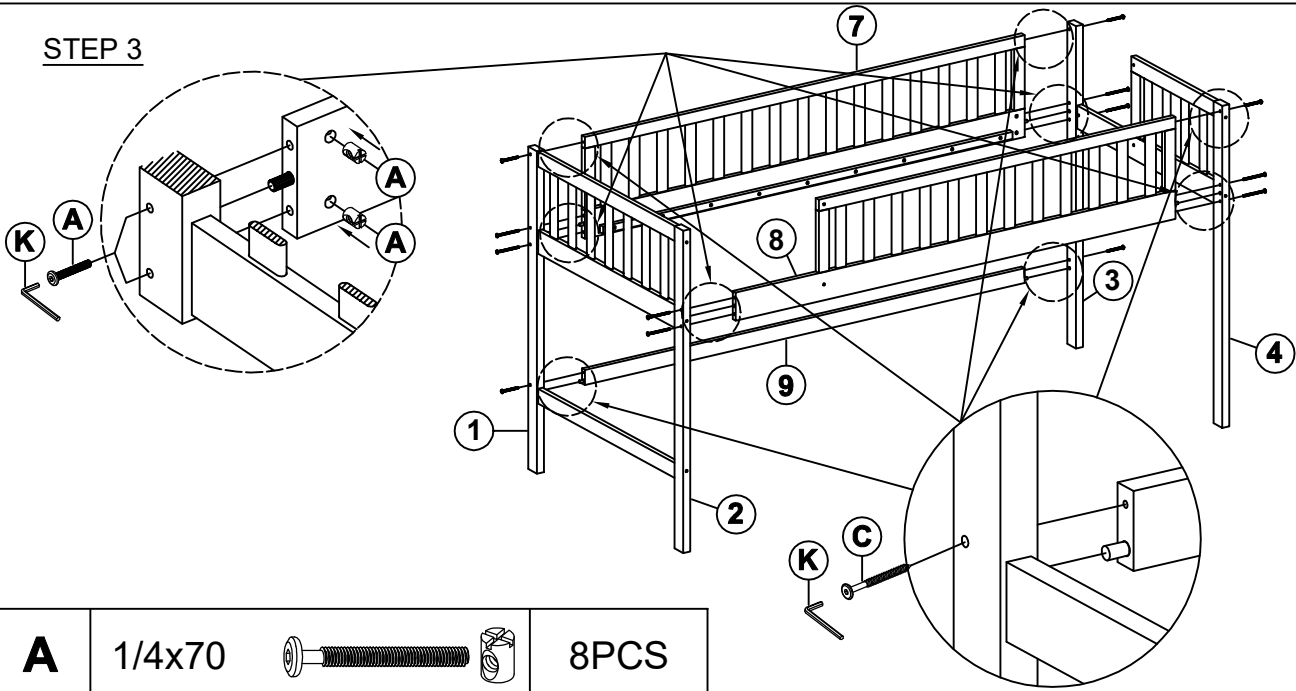
STEP 2






B	6.5x110		9PCS	K	4x70		1PCS
----------	---------	---	------	----------	------	---	------

ASSEMBLY INSTRUCTIONS

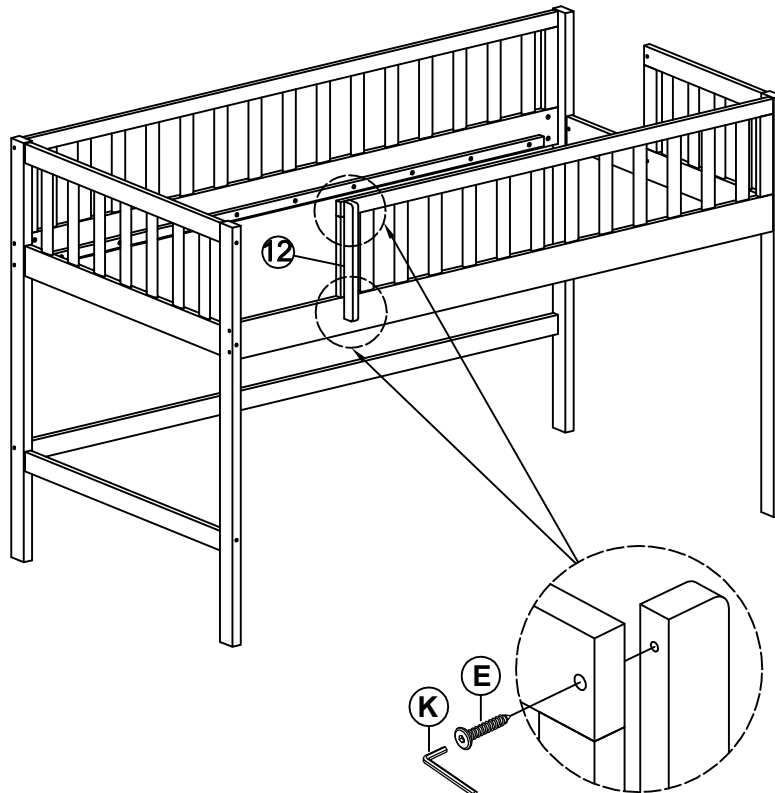
STEP 3





A	1/4x70		8PCS
C	6.5x80		5PCS

K	4x70		1PCS
----------	------	---	------

STEP 4

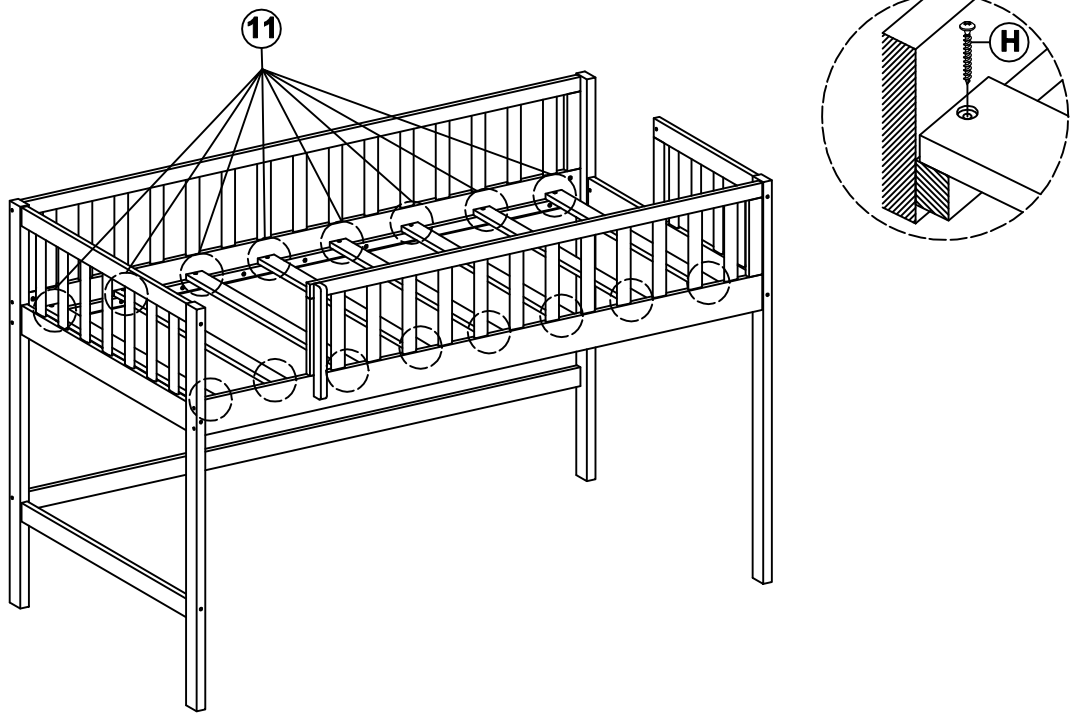


E	6.5x50		2PCS
----------	--------	---	------

K	4x70		1PCS
----------	------	---	------

ASSEMBLY INSTRUCTIONS

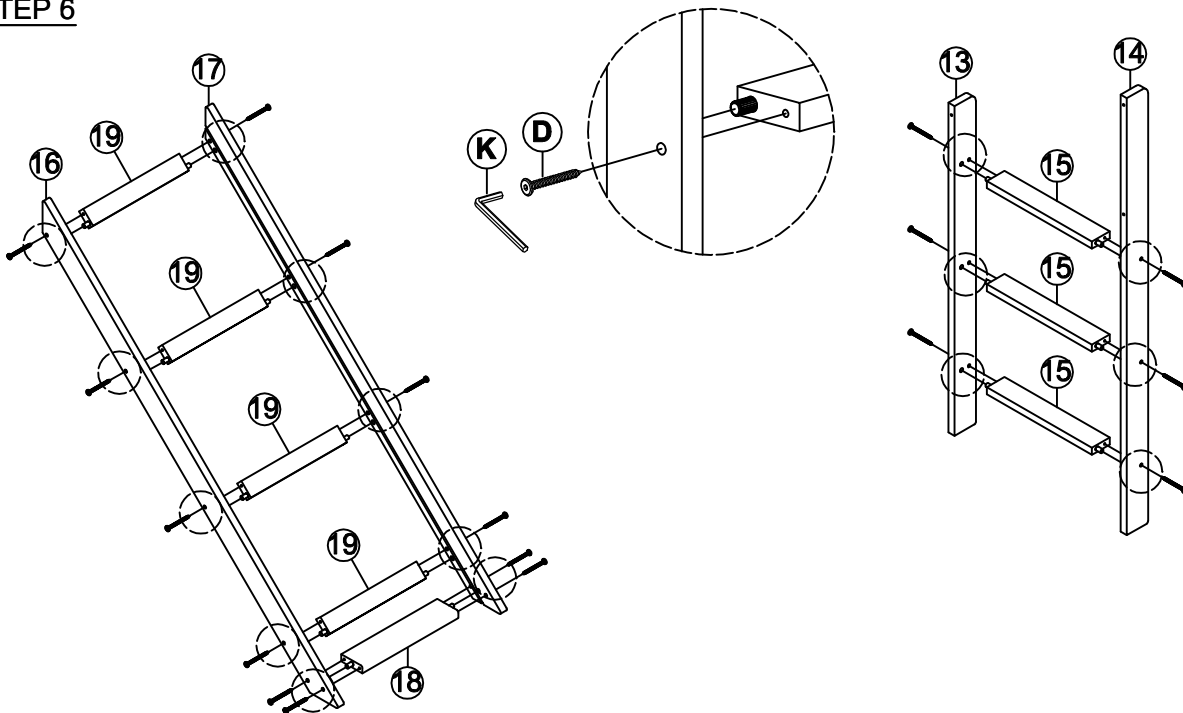
STEP 5




Firstly, Use 2pcs 11 assemblies at 2 outer ends of 7 & 8, then the rest qty of 11 assemble with equal spacing at center space of 7 & 8

H	Ø4x30		16PCS
----------	-------	---	-------

STEP 6

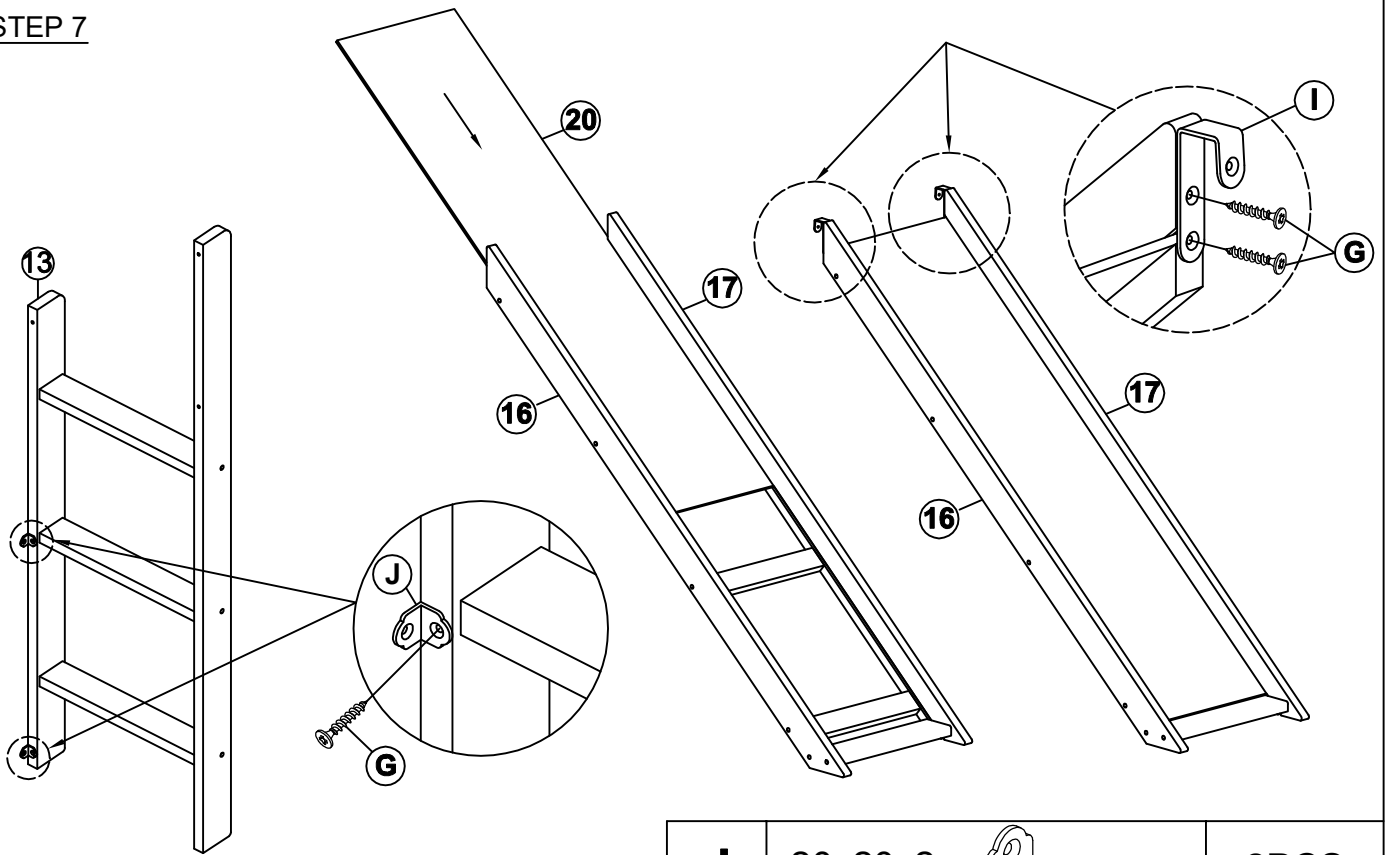



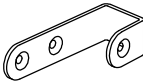

D	6.5x60		18PCS
----------	--------	---	-------

K	4x70		1PCS
----------	------	---	------

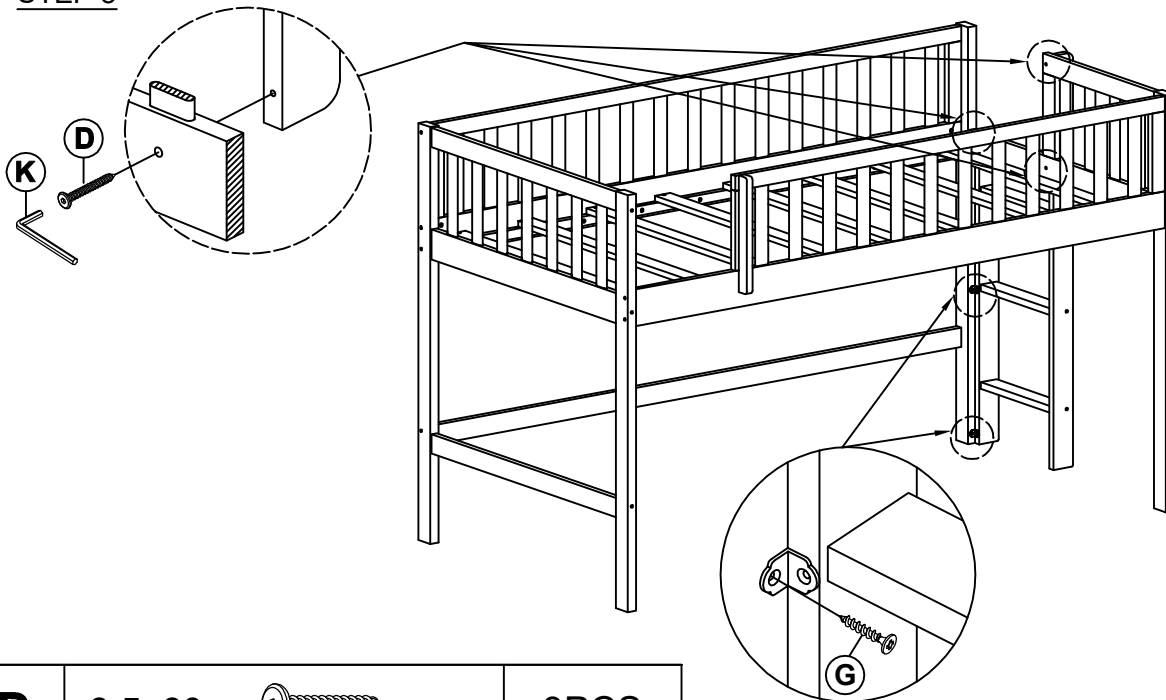
ASSEMBLY INSTRUCTIONS




STEP 7



J	20x20x2		2PCS
I	70x18x2		2PCS
G	Ø4x15		6PCS

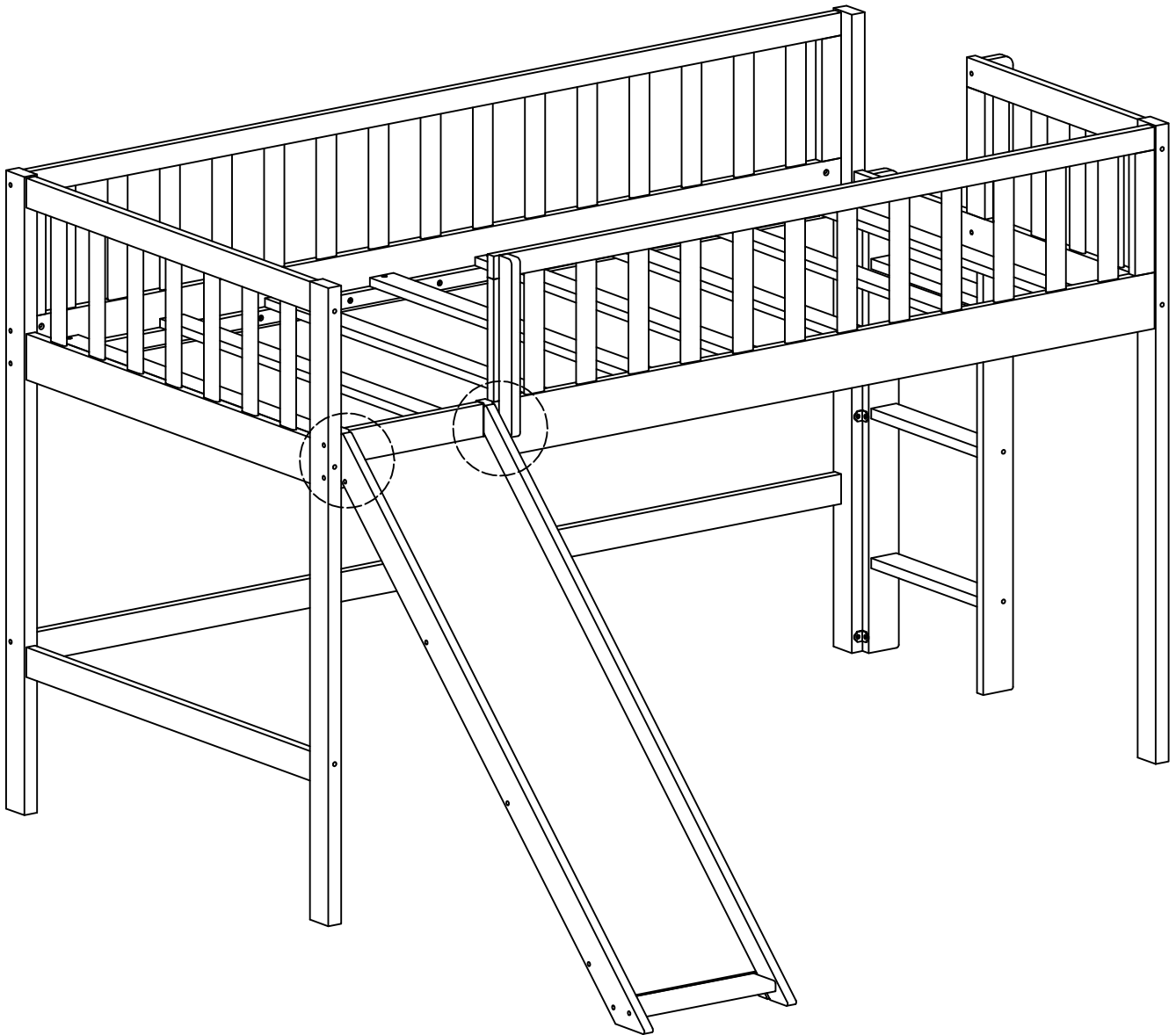
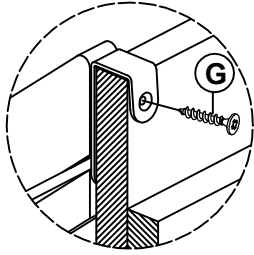
STEP 8



D	6.5x60		3PCS
G	Ø4x15		2PCS
K	4x70		1PCS

ASSEMBLY INSTRUCTIONS

STEP 9



COMPLETED

G

Ø4x15



2PCS