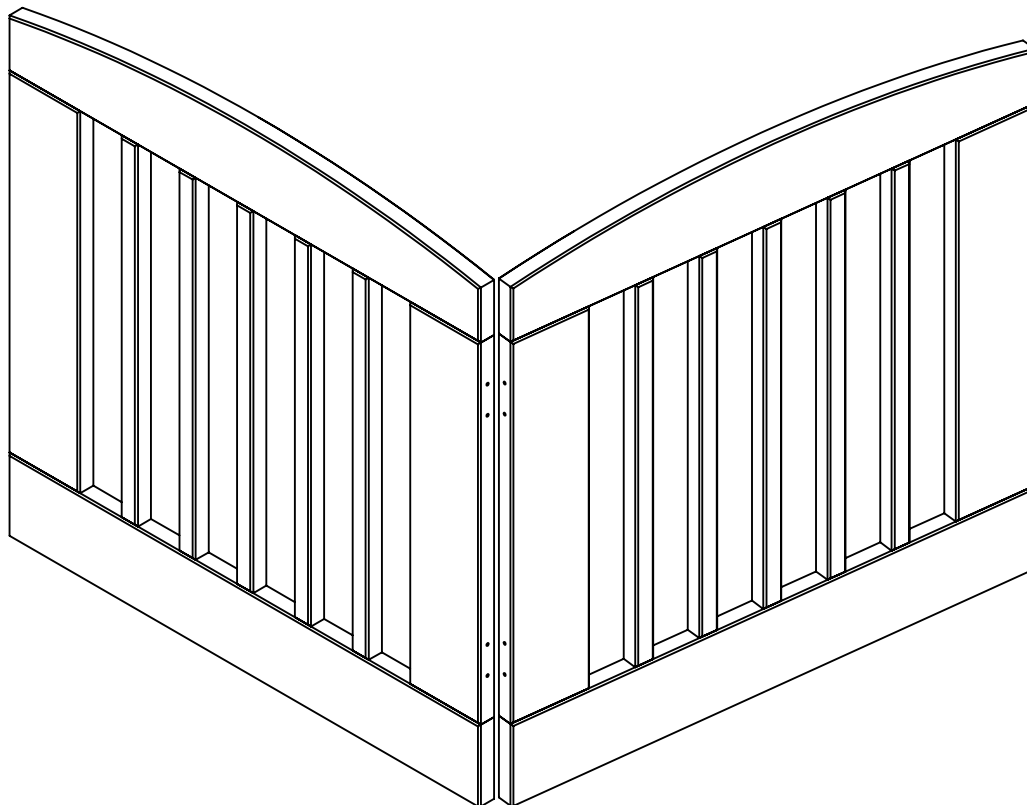


2 Panel Short Pet Gate - 24"H



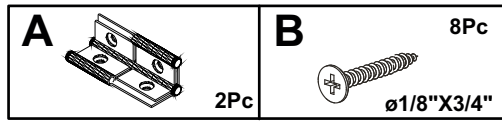
ATTENTION!
FOR PET USE ONLY!
NOT FOR USE AS CHILD SAFETY GATE!

ATTENTION

- 1 - Read and observe carefully all the assembly instructions before beginning assembly.
- 2 - The assembly of the product must be done on a clean and flat surface. We suggest to use the packaging to cover the floor to avoid damages.
- 3 - The screw must be tightened periodically.
- 4 - Avoid contact with sharp objects.
- 5 - Avoid banging pieces together.

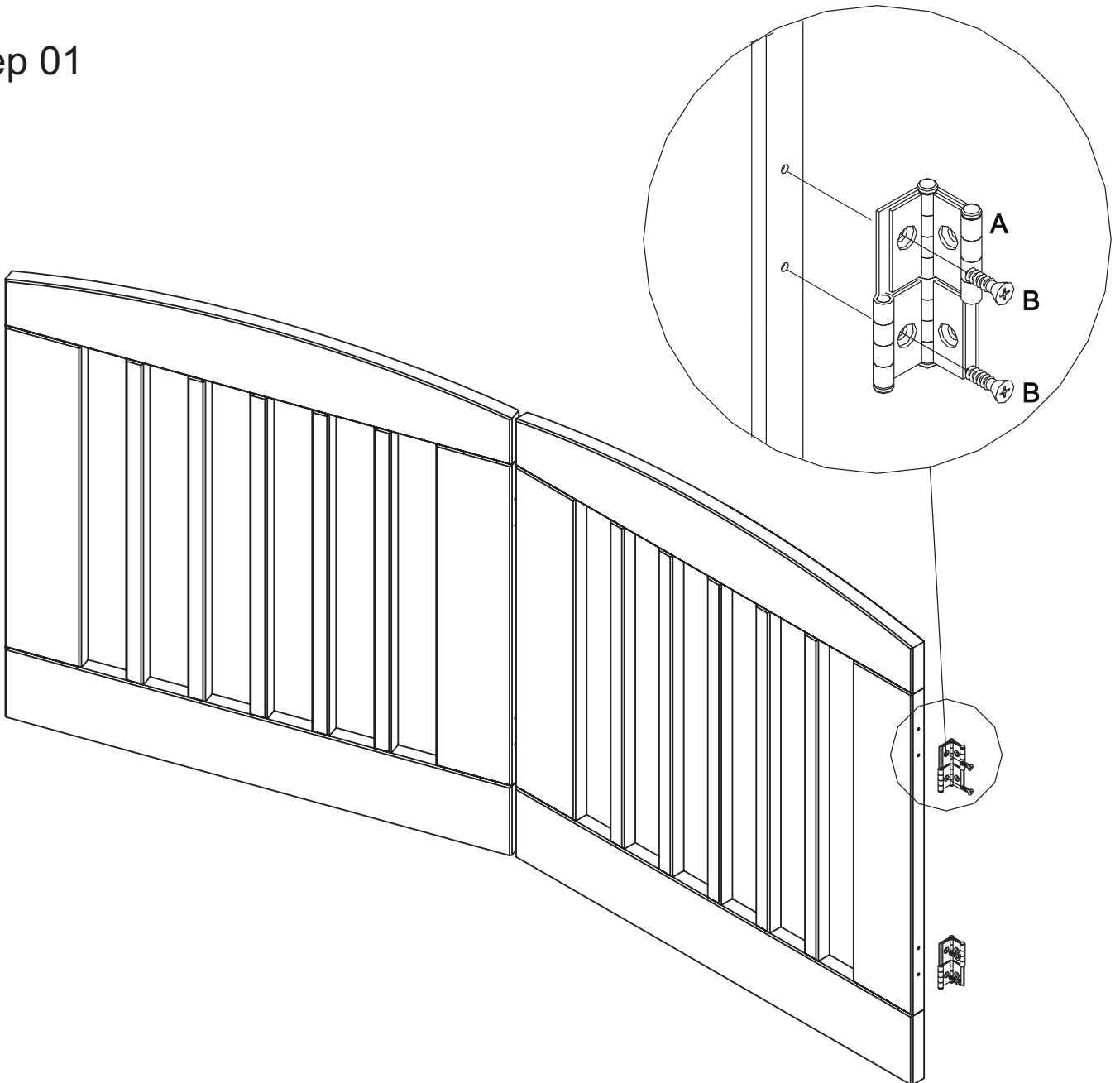


“Please! Confirm all hardware
are included for assembly!”

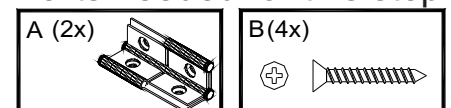


ASSEMBLY INSTRUCTIONS

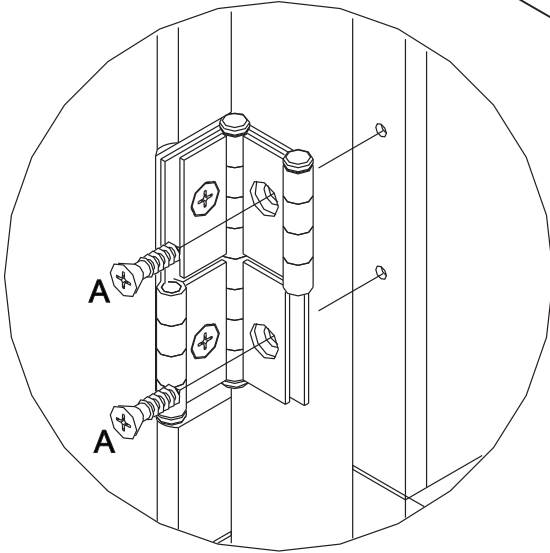
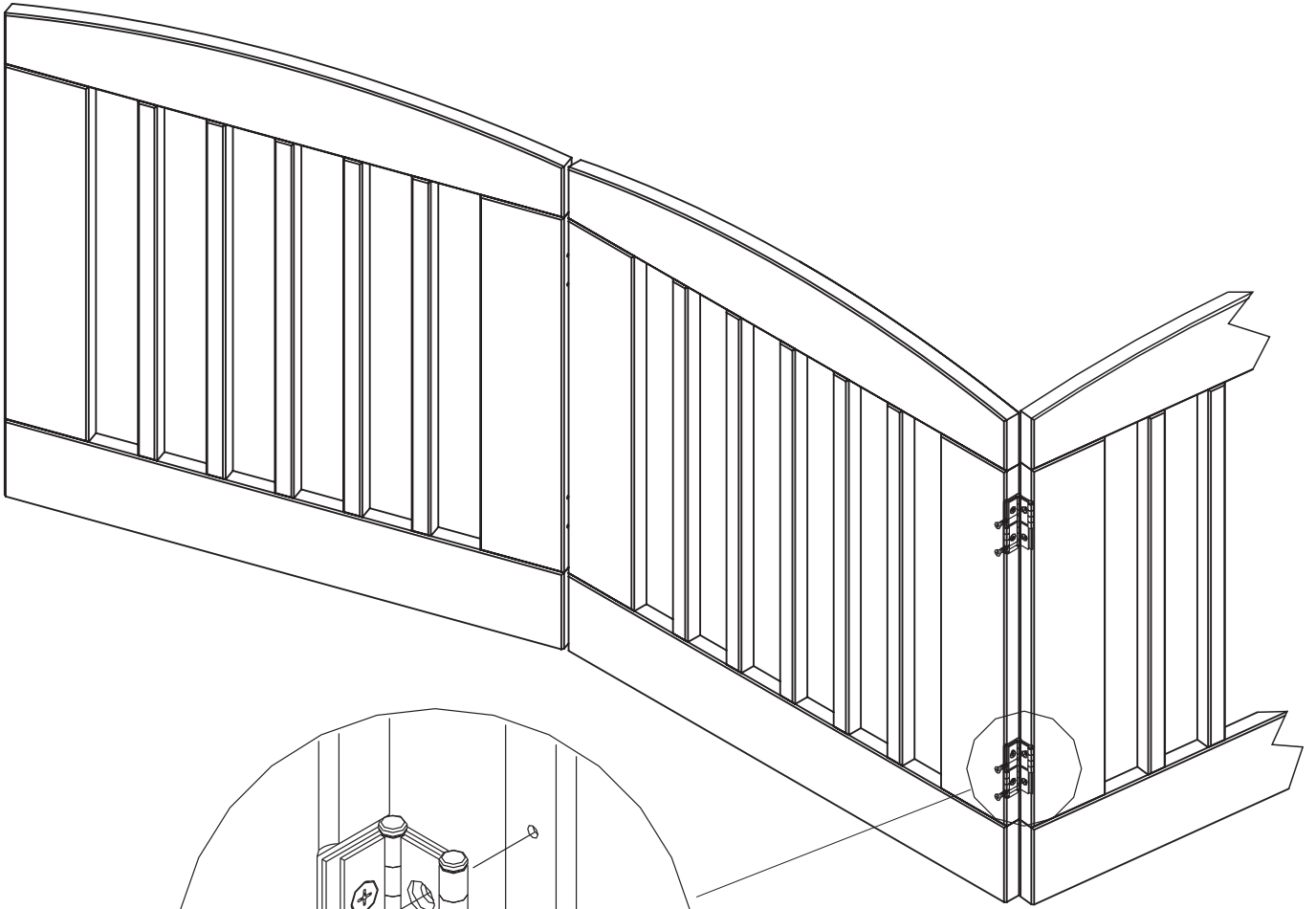
Step 01



Parts needed for this step:



Step 02



Parts needed for this step:

